



US00D886909S

(12) **United States Design Patent**  
**Zhou**

(10) **Patent No.:** **US D886,909 S**

(45) **Date of Patent:** **\*\* Jun. 9, 2020**

(54) **BALLOON BASE**

(71) Applicant: **Liping Zhou**, Temple City, CA (US)

(72) Inventor: **Liping Zhou**, Temple City, CA (US)

(\*\*) Term: **15 Years**

(21) Appl. No.: **29/675,164**

(22) Filed: **Dec. 28, 2018**

(51) **LOC (12) Cl.** ..... **21-07**

(52) **U.S. Cl.**  
USPC ..... **D21/453**

(58) **Field of Classification Search**  
USPC ..... D12/319-345, 16.1, 1-4, 415, 401;  
D21/436-455, 769, 771; D99/99;  
D11/113, 163; D19/138  
CPC ..... B64C 2201/146; B64C 2201/027; B64C  
2201/104; B64C 25/06; B64C 25/24;  
B64C 39/04; B64C 5/02

See application file for complete search history.

(56) **References Cited**

**U.S. PATENT DOCUMENTS**

D139,424 S *	11/1944	Bates	.....	D12/327
D187,823 S *	5/1960	Gassaway	.....	D12/325
D215,971 S *	11/1969	Rosta	.....	D12/325
D218,365 S *	8/1970	Sherwood	.....	D12/325
D225,464 S *	12/1972	Alexander	.....	D12/325
D238,938 S *	2/1976	Moller	.....	D12/325
D263,429 S *	3/1982	Larrieu	.....	D21/390
D268,039 S *	2/1983	Osborne	.....	D21/443
D276,740 S *	12/1984	Stockvis	.....	D21/451
D307,884 S *	5/1990	Ninkovich	.....	244/26
D312,067 S *	11/1990	Walling	.....	D12/320
D312,103 S *	11/1990	Lenox	.....	D21/443
D317,335 S *	6/1991	Lovik	.....	D21/440
D346,626 S *	5/1994	St. Lawrence	.....	D21/443
D392,696 S *	3/1998	Johnson	.....	D12/325
D406,617 S *	3/1999	Schalasky	.....	D21/443
D417,896 S *	12/1999	Eisner	.....	D21/451
D418,475 S *	1/2000	Milde, Jr.	.....	D12/320
D430,530 S *	9/2000	Milde, Jr.	.....	D12/320
D466,954 S *	12/2002	Vodhanel, Jr.	.....	D21/443

D536,396 S *	2/2007	Crane	.....	D21/444
7,407,132 B2 *	8/2008	Kirjavainen	.....	B64C 39/001 180/117
D583,293 S *	12/2008	Frost	.....	D12/319
D624,132 S *	9/2010	Cheng	.....	D21/451
D640,756 S *	6/2011	Busse	.....	D21/390
D659,197 S *	5/2012	Slone	.....	D21/443

(Continued)

**OTHER PUBLICATIONS**

Upright Balloon Plastic. by Walmart. dated 2020. found online [Apr. 20, 2020] [https://www.walmart.com/ip/HERCHR-1pc-Upright-Balloon-Plastic-Column-Base-Birthday-Party-Wedding-Decoration-3-Colors-Balloon-Arches-Base-Stand-upright-balloon-base/203661516?wmlspartner=wmllabs&adid=2222222222282960604&wmlspartner=wmllabs&.\\*](https://www.walmart.com/ip/HERCHR-1pc-Upright-Balloon-Plastic-Column-Base-Birthday-Party-Wedding-Decoration-3-Colors-Balloon-Arches-Base-Stand-upright-balloon-base/203661516?wmlspartner=wmllabs&adid=2222222222282960604&wmlspartner=wmllabs&.*)

*Primary Examiner* — Marissa J Cash  
(74) *Attorney, Agent, or Firm* — Tommy S F Wang;  
Wang IP Law Group, P.C.

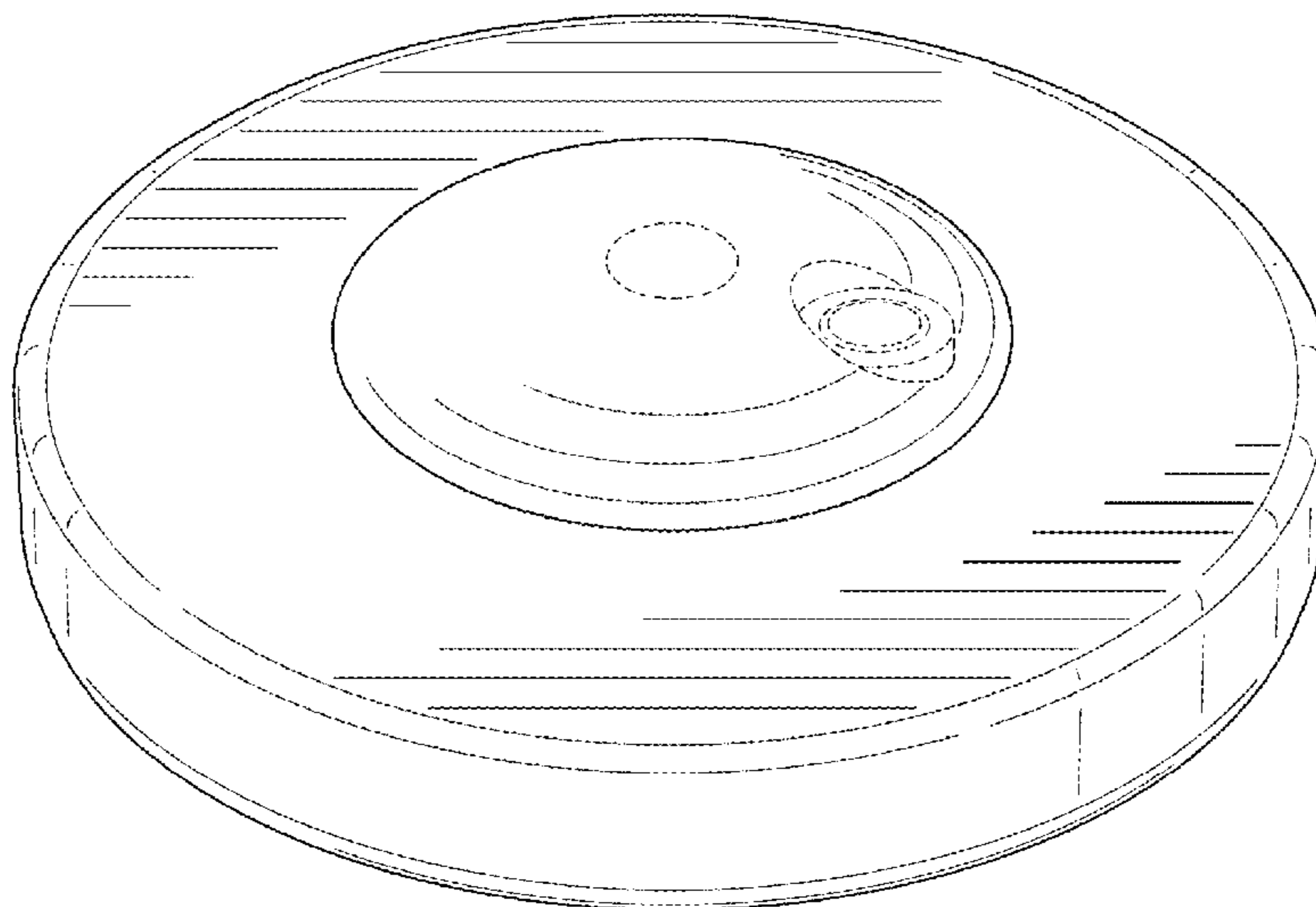
(57) **CLAIM**

The ornamental design for a balloon base, as shown and described.

**DESCRIPTION**

FIG. 1 is a top perspective view of a balloon base showing my new design;  
FIG. 2 is a bottom perspective view thereof;  
FIG. 3 is a front view thereof;  
FIG. 4 is a rear view thereof;  
FIG. 5 is a left side view thereof;  
FIG. 6 is a right side view thereof;  
FIG. 7 is a top view thereof;  
FIG. 8 is a bottom view thereof; and,  
FIG. 9 is another top perspective view thereof showing a plug is detached from the balloon base.  
The broken line portions of the balloon base in FIGS. 1-9 represent unclaimed portions of the claimed design and form no part thereof.

**1 Claim, 7 Drawing Sheets**



(56)

References Cited

U.S. PATENT DOCUMENTS

D667,893	S *	9/2012	Smith	.....	D21/451
D669,836	S *	10/2012	Ordonez	.....	D12/213
D725,028	S *	3/2015	Kapitan	.....	D12/323
D725,197	S *	3/2015	Thompson	.....	D21/443
D725,575	S *	3/2015	Kapitan	.....	D12/323
D725,714	S *	3/2015	Kim	.....	D21/443
D751,025	S *	3/2016	Howell	.....	D12/16.1
D778,370	S *	2/2017	Moore	.....	D21/443
D779,109	S *	2/2017	Wallach	.....	D26/97
D780,665	S *	3/2017	Blinchow	.....	D12/320
D813,315	S *	3/2018	Sweeney	.....	D21/443
D813,761	S *	3/2018	Balaresque	.....	D12/174
D821,264	S *	6/2018	Choo	.....	D12/16.1
D830,228	S *	10/2018	Grassi	.....	D12/16.1
D830,897	S *	10/2018	Choi	.....	D12/16.1
10,173,769	B2 *	1/2019	Joniot	.....	B64B 1/44
D846,437	S *	4/2019	Kim	.....	D12/16.1
D846,438	S *	4/2019	Kim	.....	D12/16.1
D859,536	S *	9/2019	Cope	.....	D21/443
D860,332	S *	9/2019	Cope	.....	D21/443
2003/0122033	A1 *	7/2003	Gao	.....	B64C 27/20 244/12.2
2018/0196418	A1 *	7/2018	Meier	.....	G05D 1/0225

\* cited by examiner

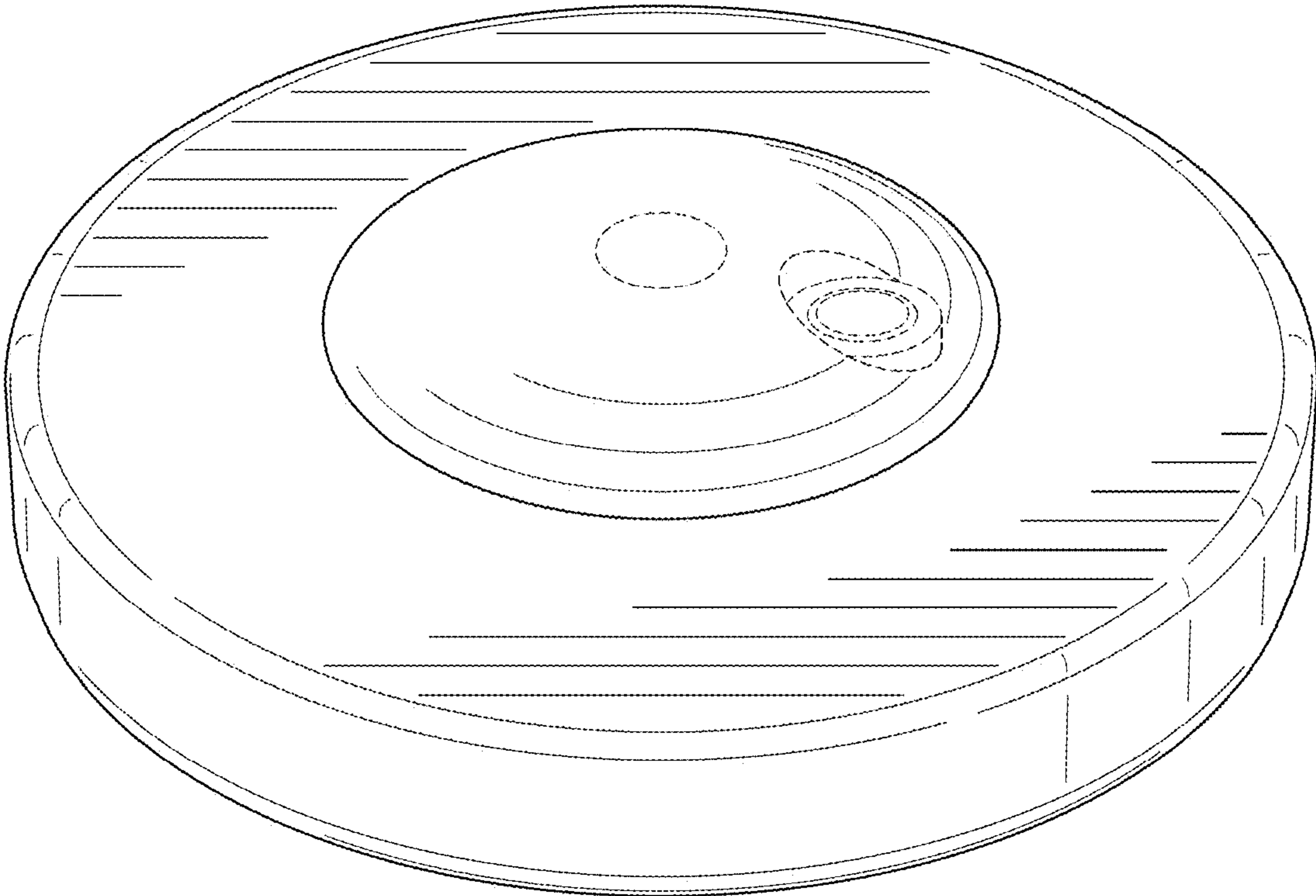


FIG. 1

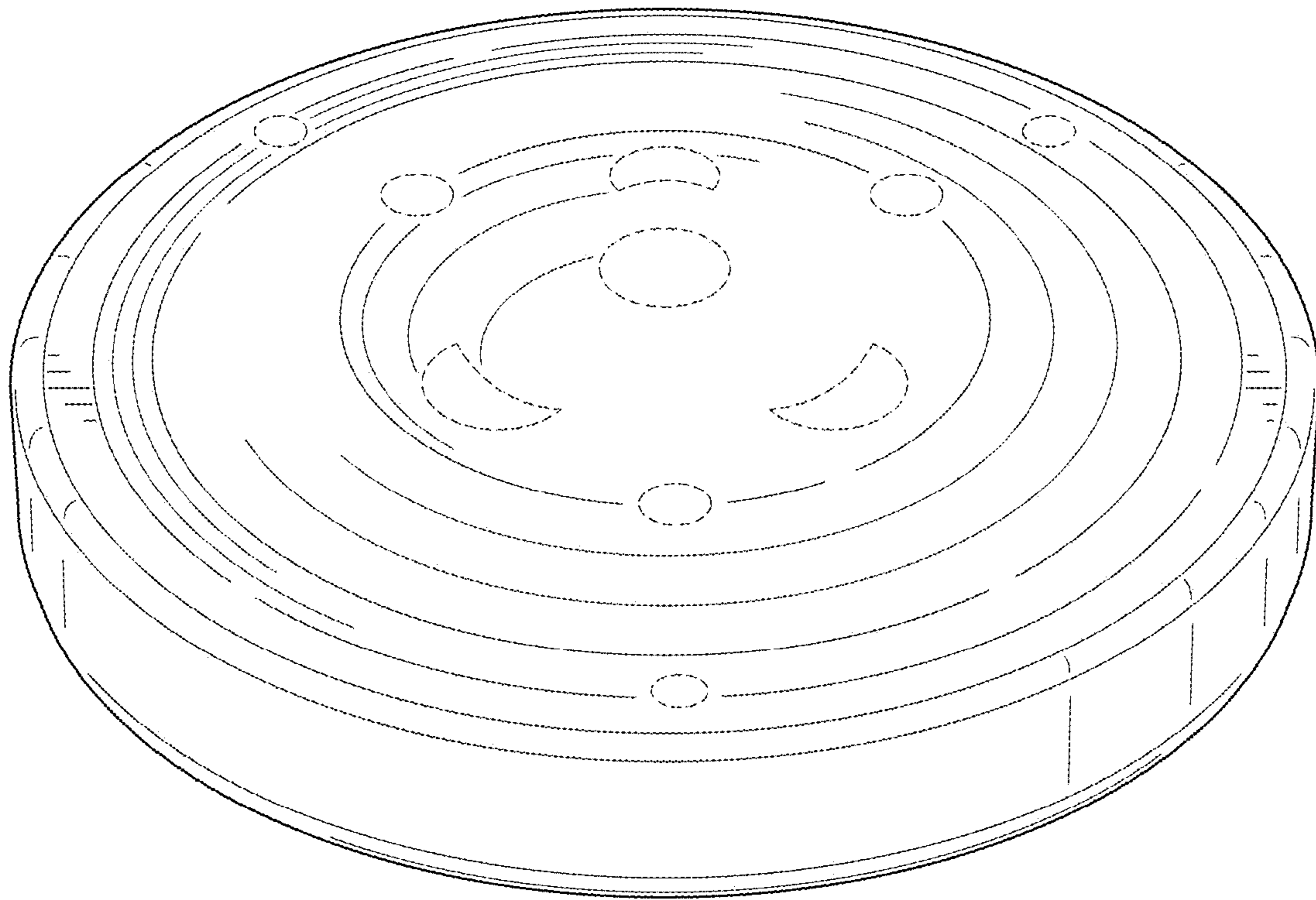


FIG. 2

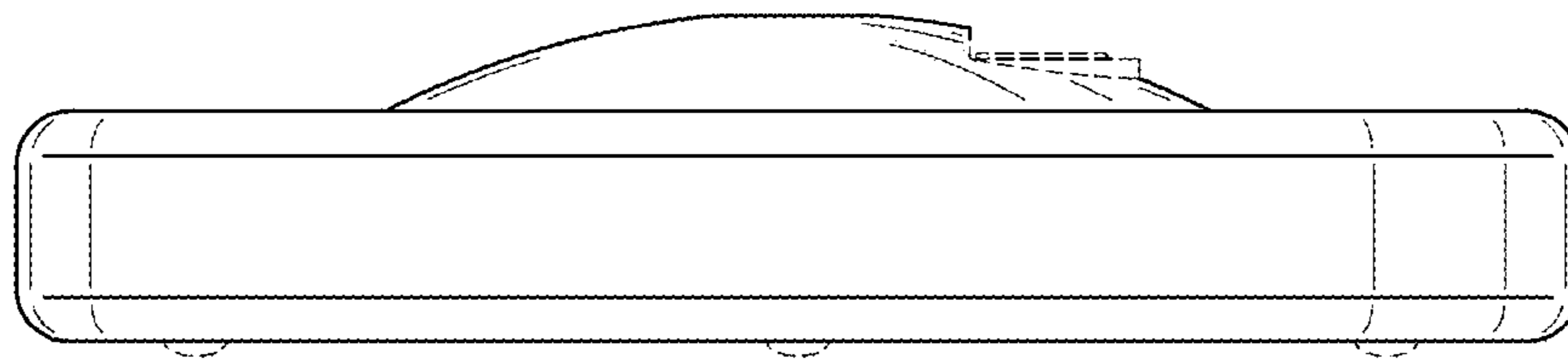


FIG. 3

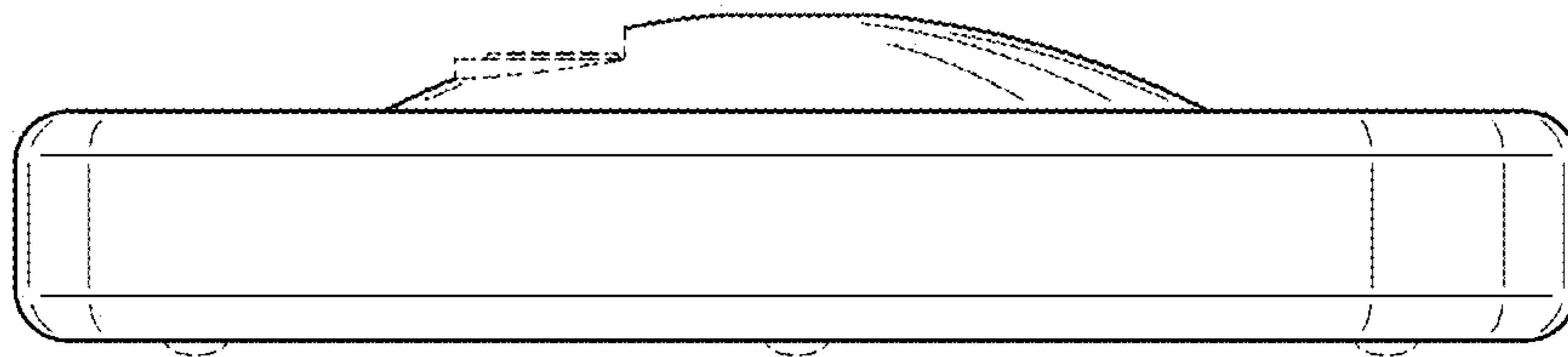


FIG. 4

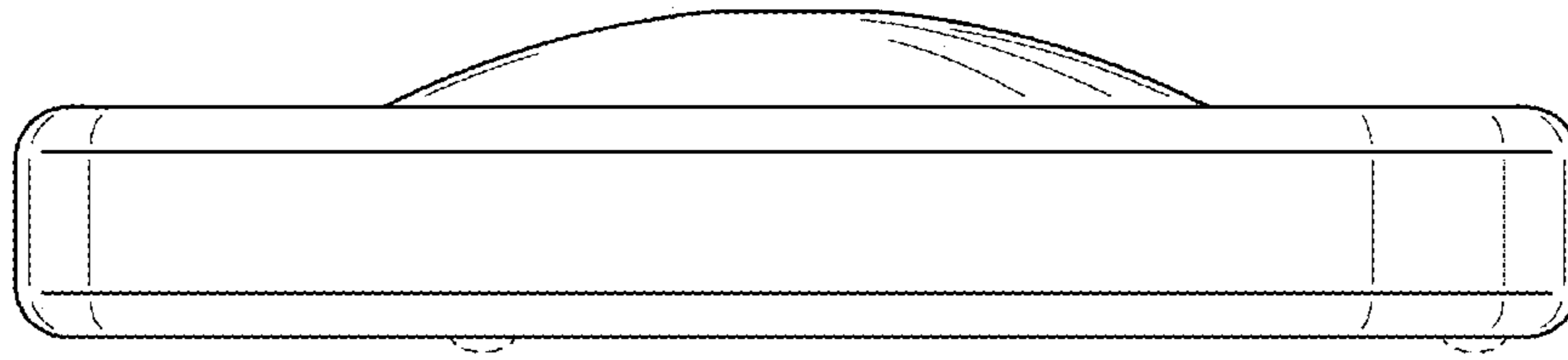


FIG. 5

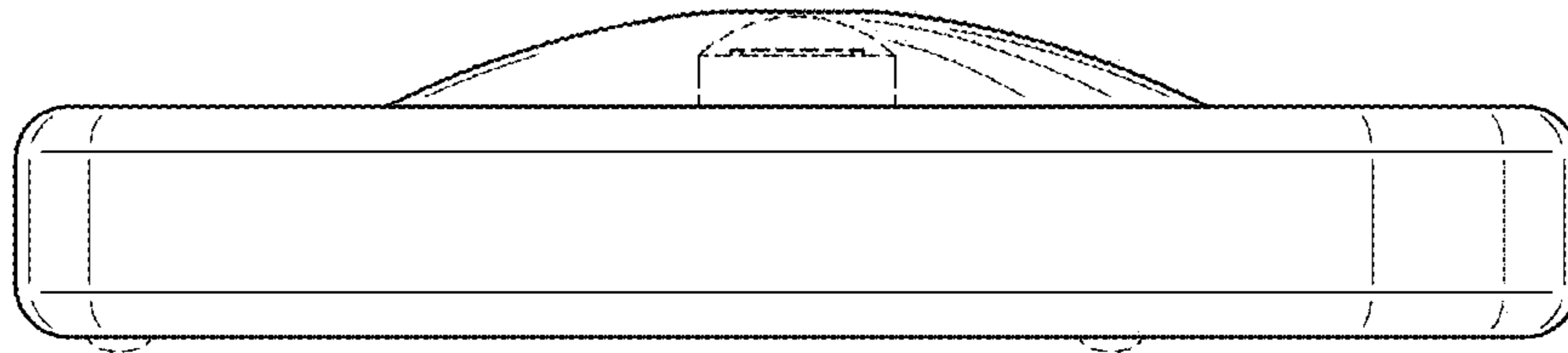


FIG. 6



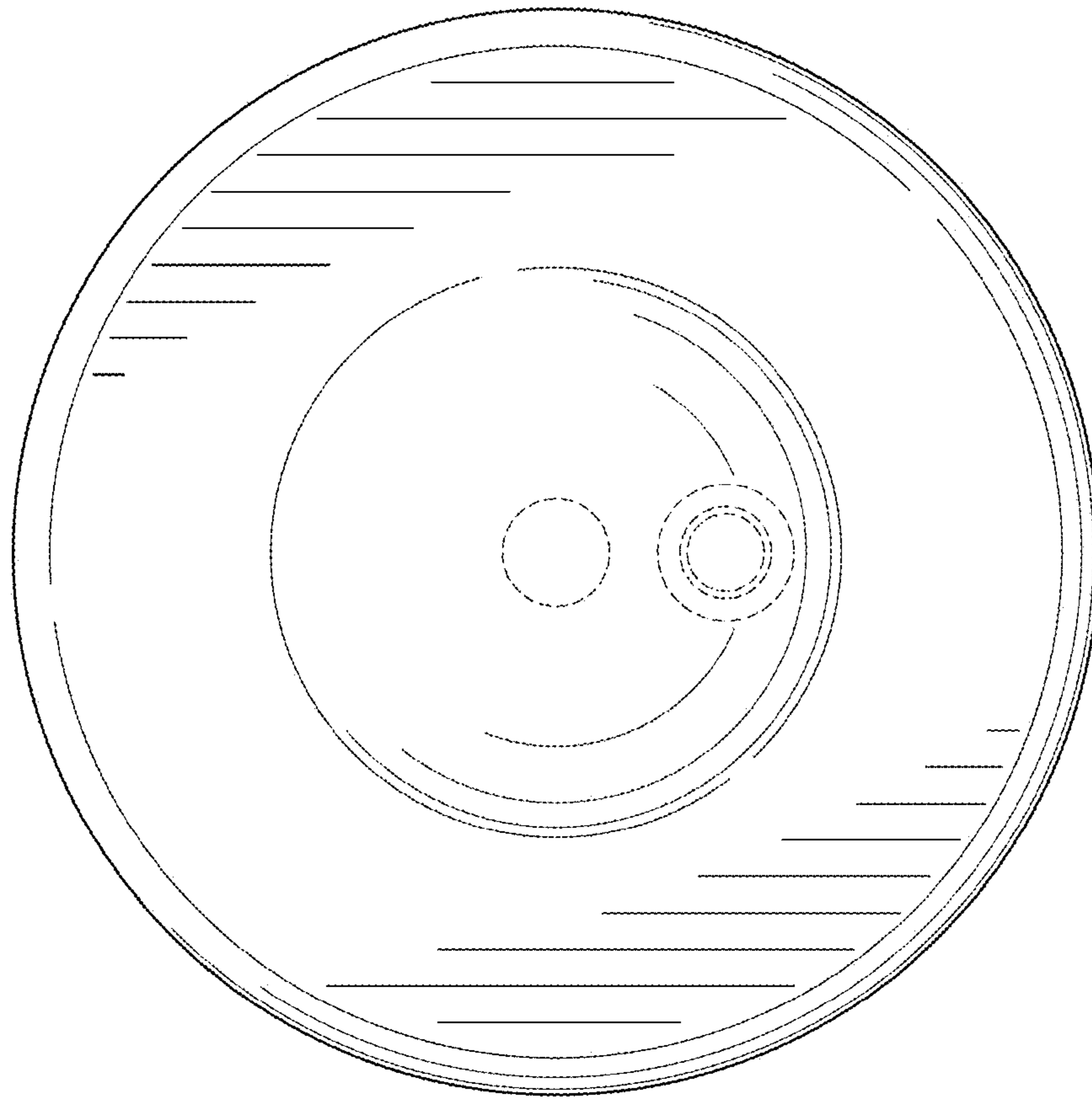


FIG. 7

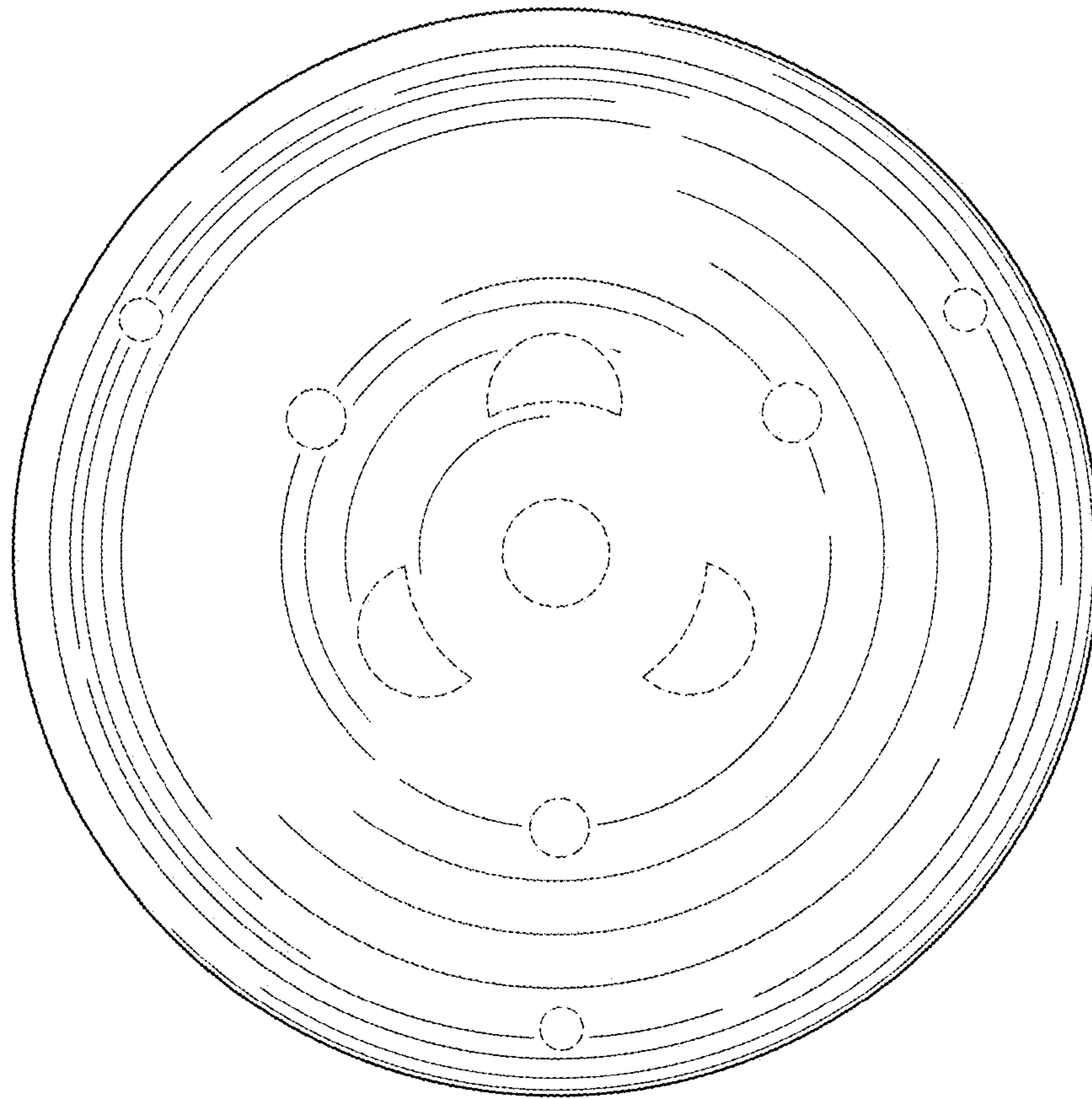


FIG. 8



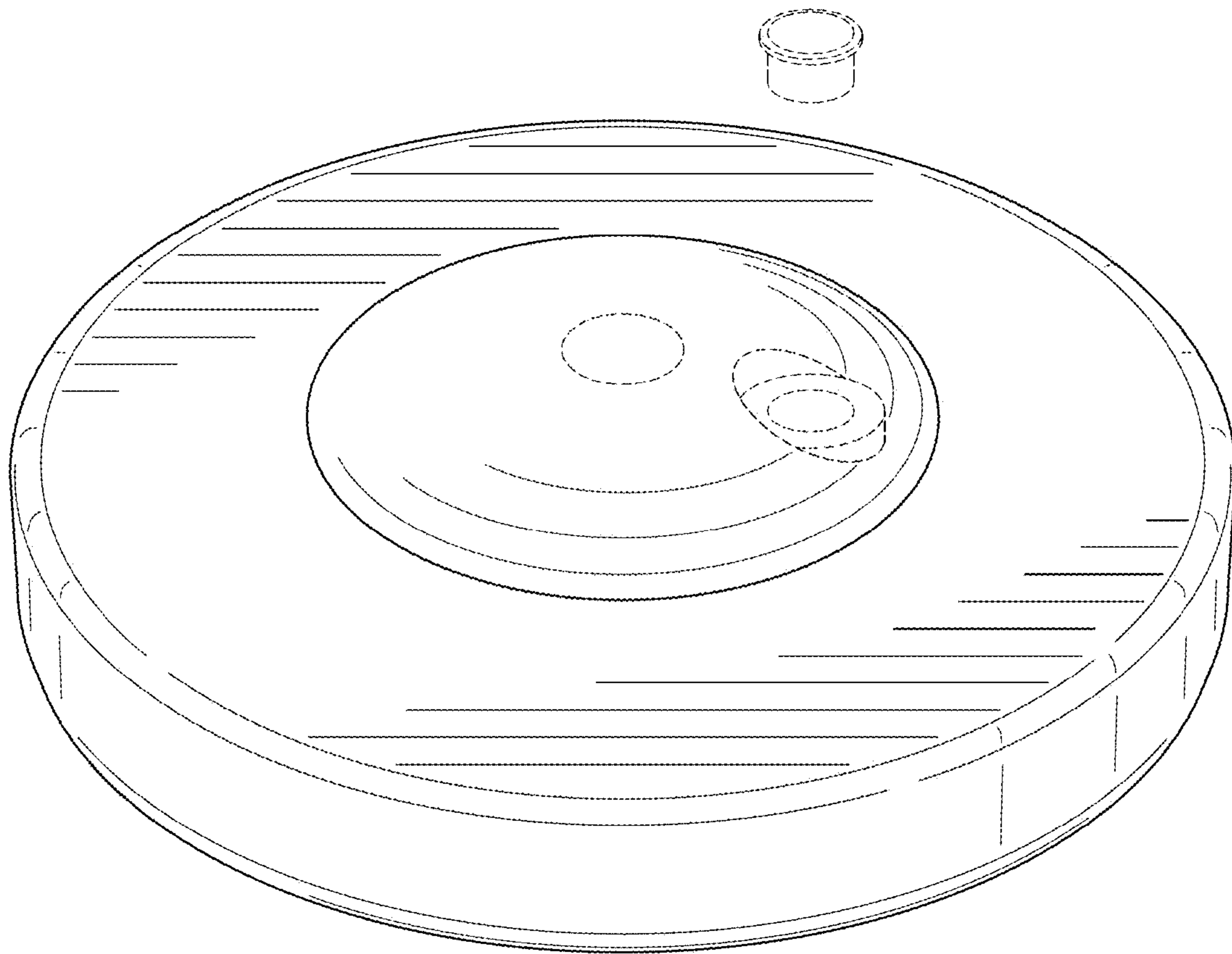


FIG. 9