



US00D886907S

(12) **United States Design Patent**  
**Gao**

(10) **Patent No.:** **US D886,907 S**

(45) **Date of Patent:** **\*\* Jun. 9, 2020**

(54) **SCOOTER**

(71) Applicant: **Fei Gao**, Shenzhen (CN)

(72) Inventor: **Fei Gao**, Shenzhen (CN)

(\*\*) Term: **15 Years**

(21) Appl. No.: **29/671,168**

(22) Filed: **Nov. 24, 2018**

(51) **LOC (12) Cl.** ..... **21-01**

(52) **U.S. Cl.**  
USPC ..... **D21/423**

(58) **Field of Classification Search**  
USPC ..... D21/419, 421, 423, 760, 765, 771;  
D12/1, 8, 107, 110, 112, 113, 114  
CPC ..... B62K 3/002; B62K 9/00; B62K 2202/00;  
B60Y 2200/126

See application file for complete search history.

(56) **References Cited**

**U.S. PATENT DOCUMENTS**

|                |         |        |       |                         |
|----------------|---------|--------|-------|-------------------------|
| D654,963 S *   | 2/2012  | Powers | ..... | D21/423                 |
| 8,925,935 B2 * | 1/2015  | Powers | ..... | B62K 15/00<br>280/655.1 |
| D806,176 S *   | 12/2017 | Peng   | ..... | D21/423                 |
| D829,826 S *   | 10/2018 | Liu    | ..... | D21/423                 |
| D839,358 S *   | 1/2019  | Cao    | ..... | D21/423                 |
| D849,153 S *   | 5/2019  | Zhang  | ..... | D21/423                 |
| D858,646 S *   | 9/2019  | Yang   | ..... | D21/423                 |
| D858,647 S *   | 9/2019  | Liu    | ..... | D21/423                 |

D860,917 S \* 9/2019 Tan ..... D12/423  
D871,510 S \* 12/2019 Martisauskas ..... D21/423

\* cited by examiner

*Primary Examiner* — Cynthia M. Chin

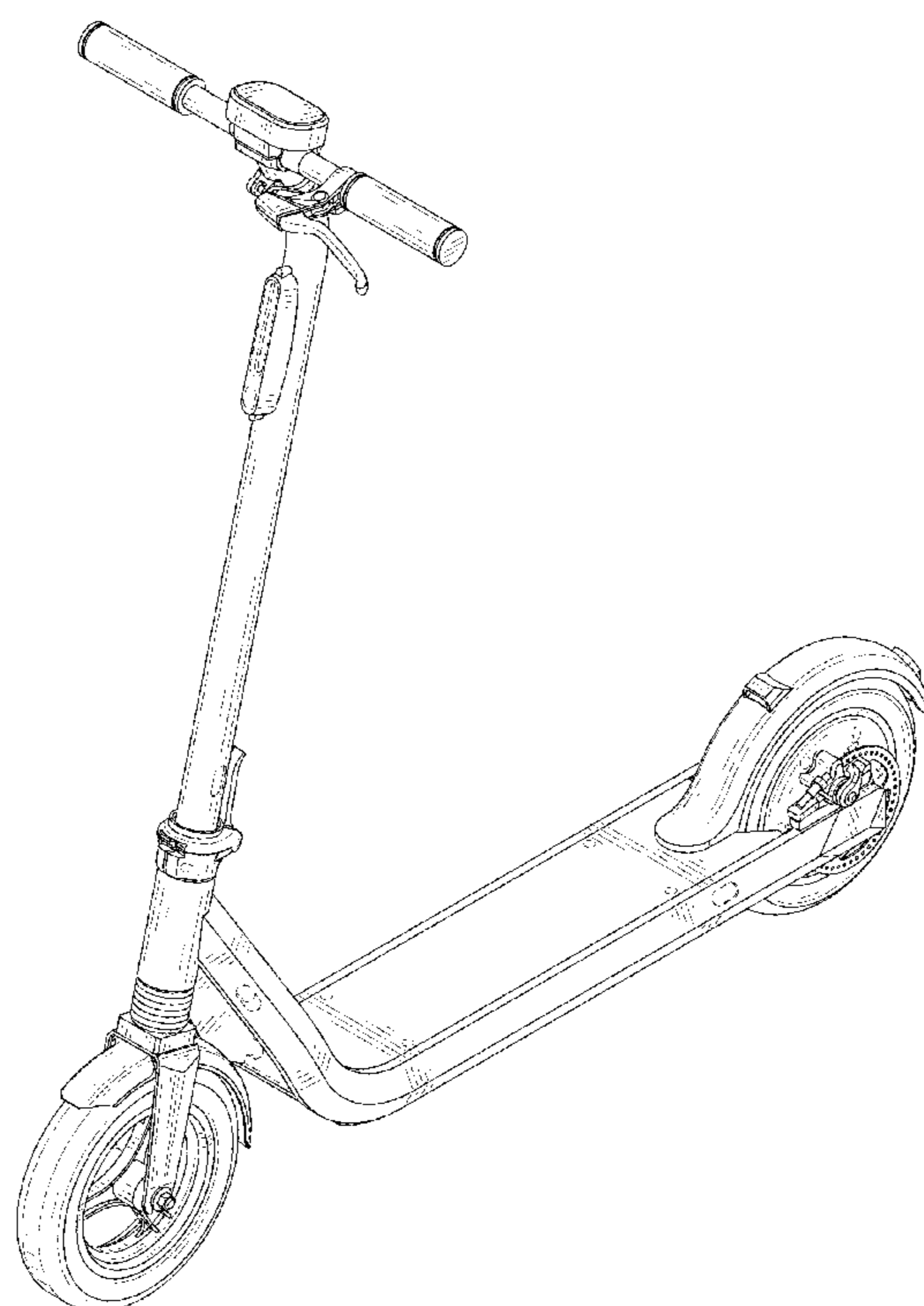
(57) **CLAIM**

The ornamental design for a scooter, as shown and described.

**DESCRIPTION**

FIG. 1 is a perspective view of a scooter showing my new design;  
 FIG. 2 is another perspective view thereof;  
 FIG. 3 is a front elevational view thereof;  
 FIG. 4 is a rear elevational view thereof;  
 FIG. 5 is a left side elevational view thereof;  
 FIG. 6 is a right side elevational view thereof;  
 FIG. 7 is a top plan view thereof;  
 FIG. 8 is a bottom plan view thereof;  
 FIG. 9 is a perspective view of the scooter where the scooter is in a folded state;  
 FIG. 10 is an enlarged partial view of the scooter taken from the right side of FIG. 1;  
 FIG. 11 is an enlarged partial view of the handlebar area taken from the top of FIG. 1;  
 FIG. 12 is an enlarged partial view of the front wheel area taken from the right side of FIG. 2; and,  
 FIG. 13 is an enlarged partial view of the rear wheel area taken from the bottom of FIG. 4.  
 The dash-dot broken lines represent the boundaries of the enlarged partial views of FIGS. 10-13. All other broken lines represent portions of the scooter that form no part of the claimed design. None of the broken lines form a part of the claimed design.

**1 Claim, 13 Drawing Sheets**



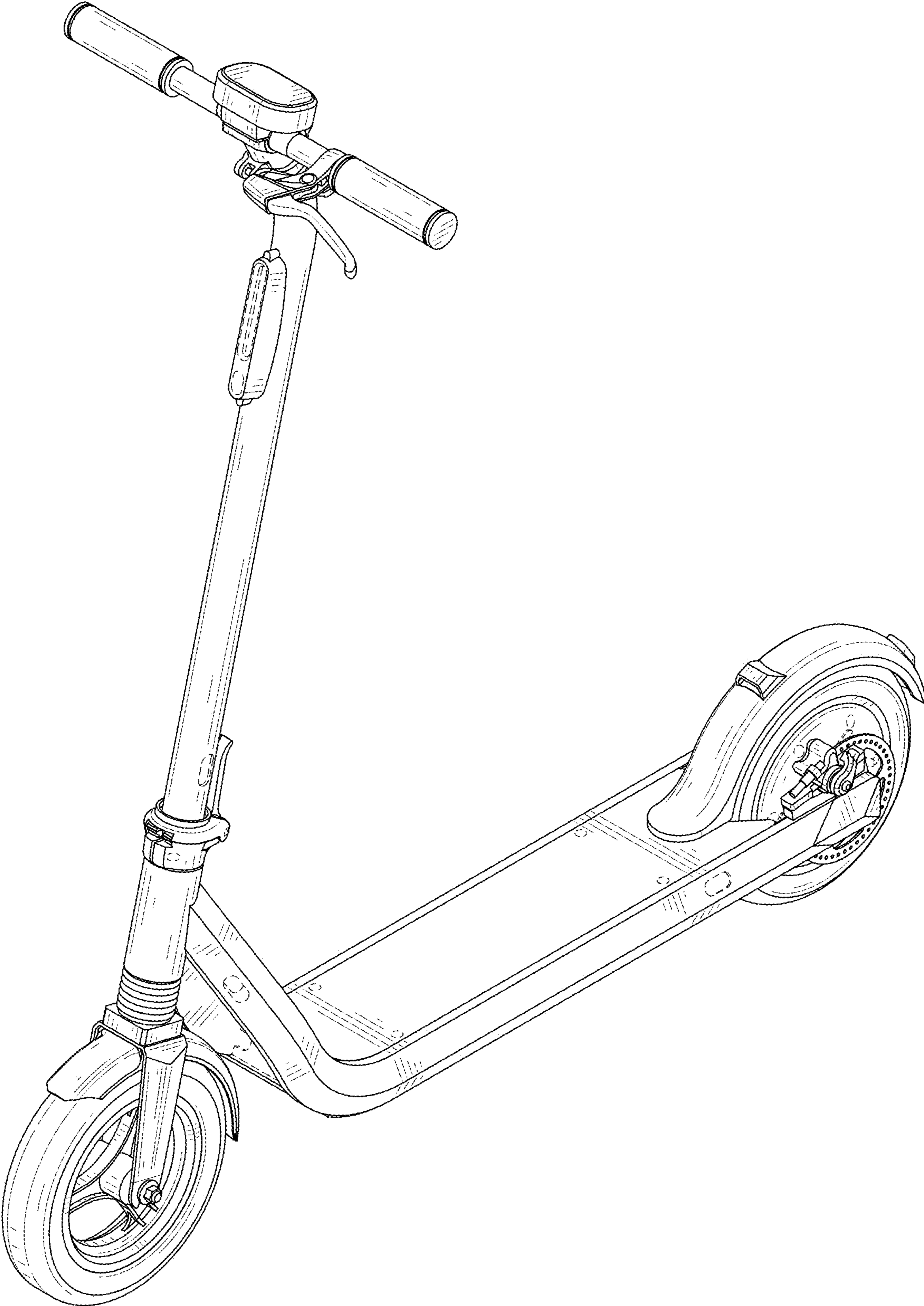


FIG. 1

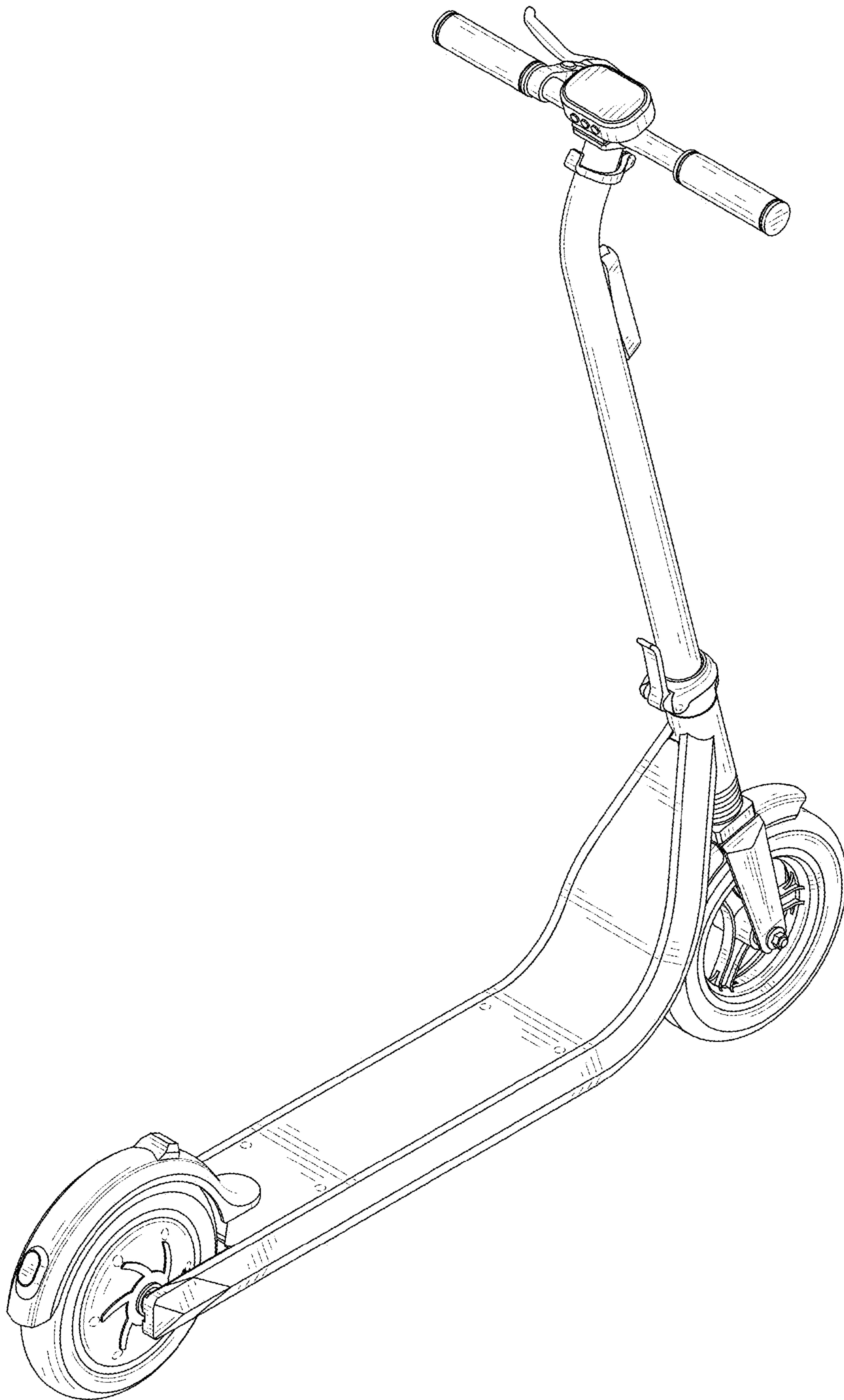


FIG. 2

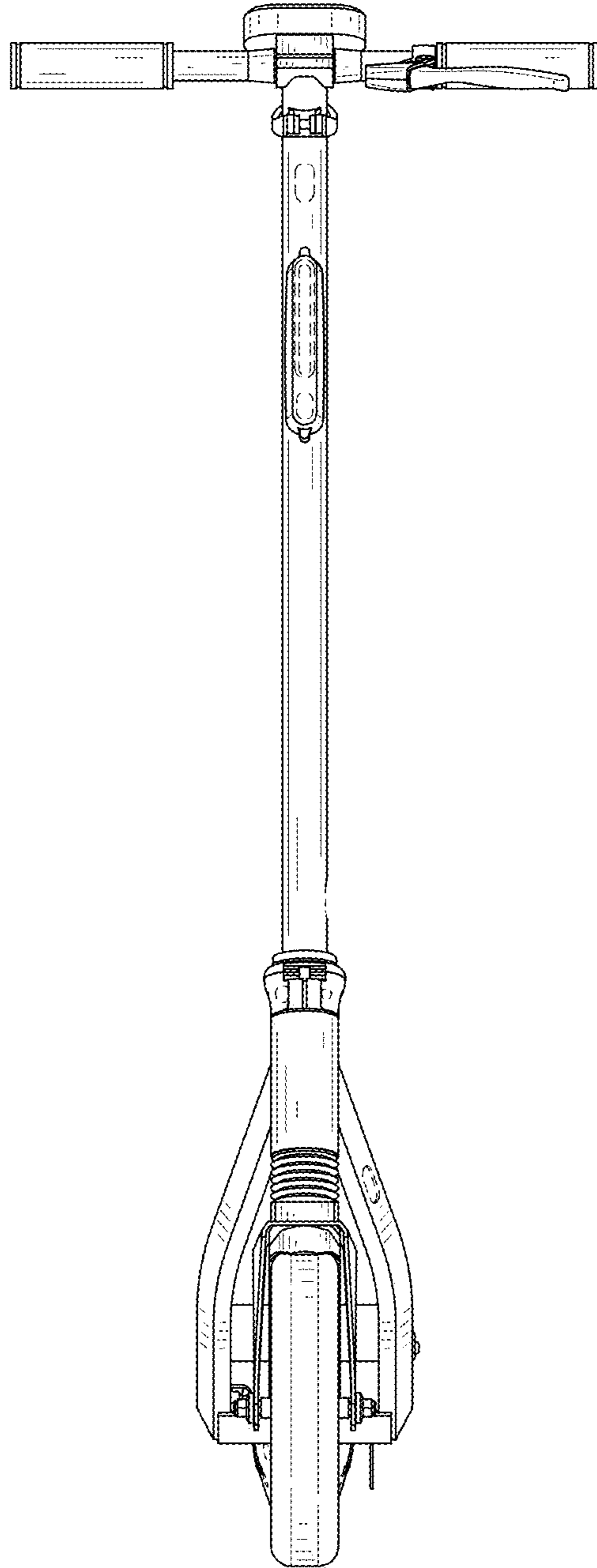


FIG. 3

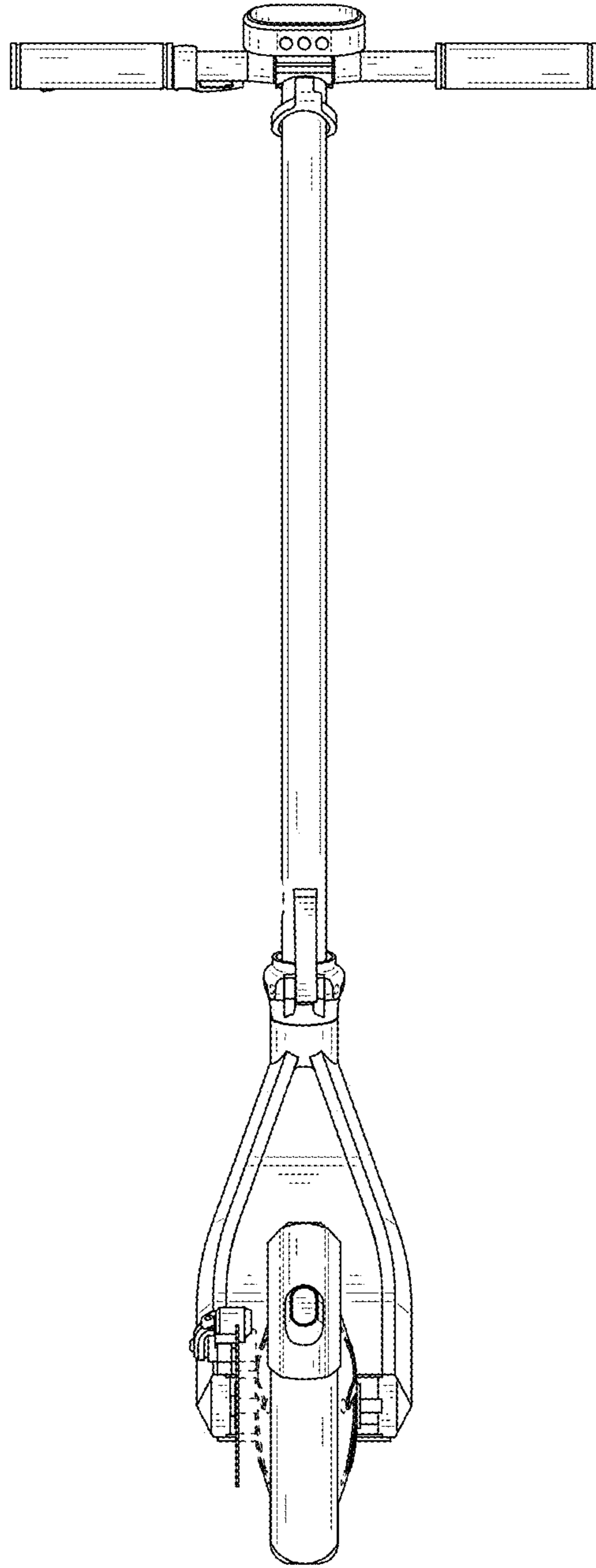


FIG. 4



FIG. 5

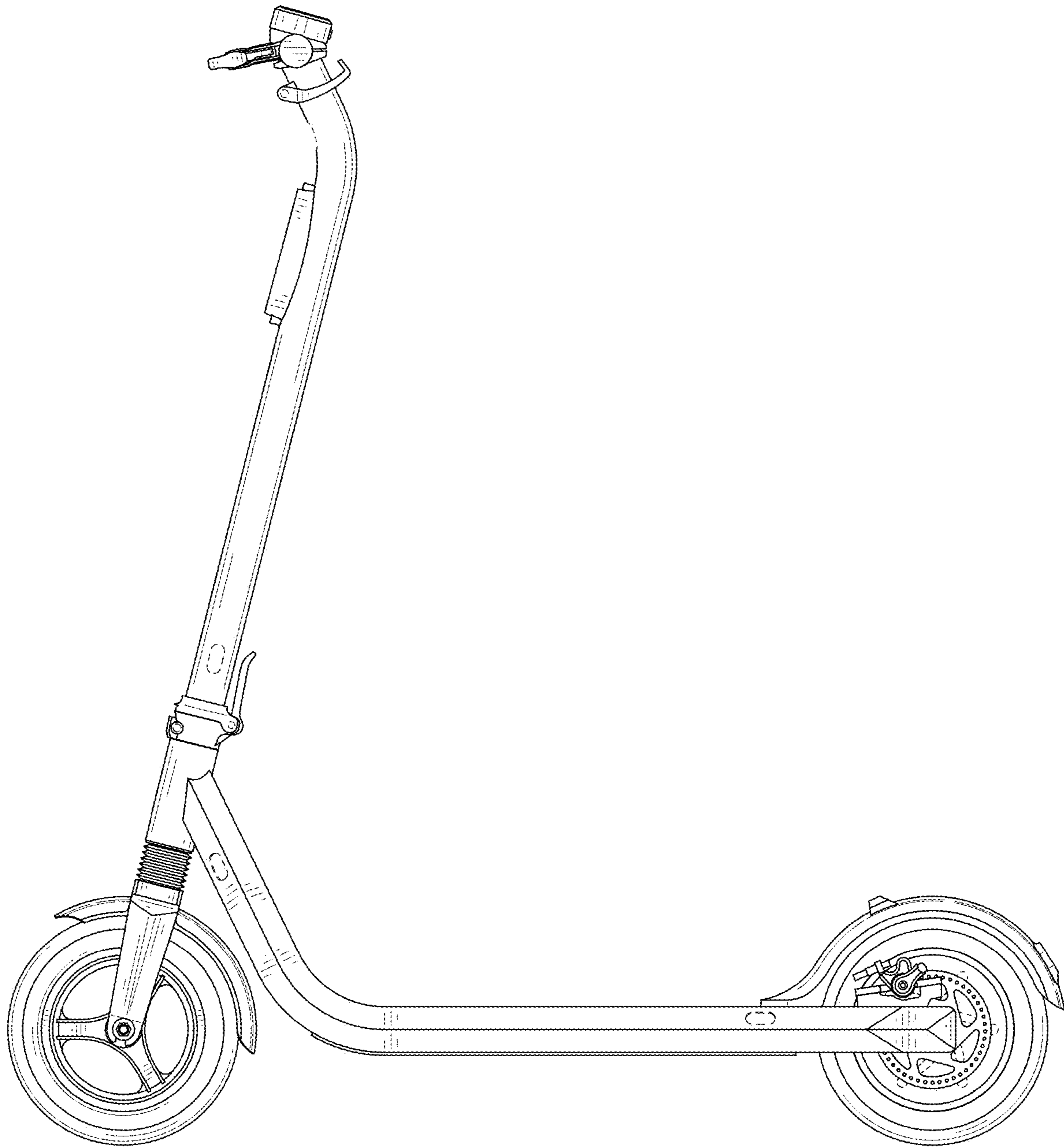


FIG. 6

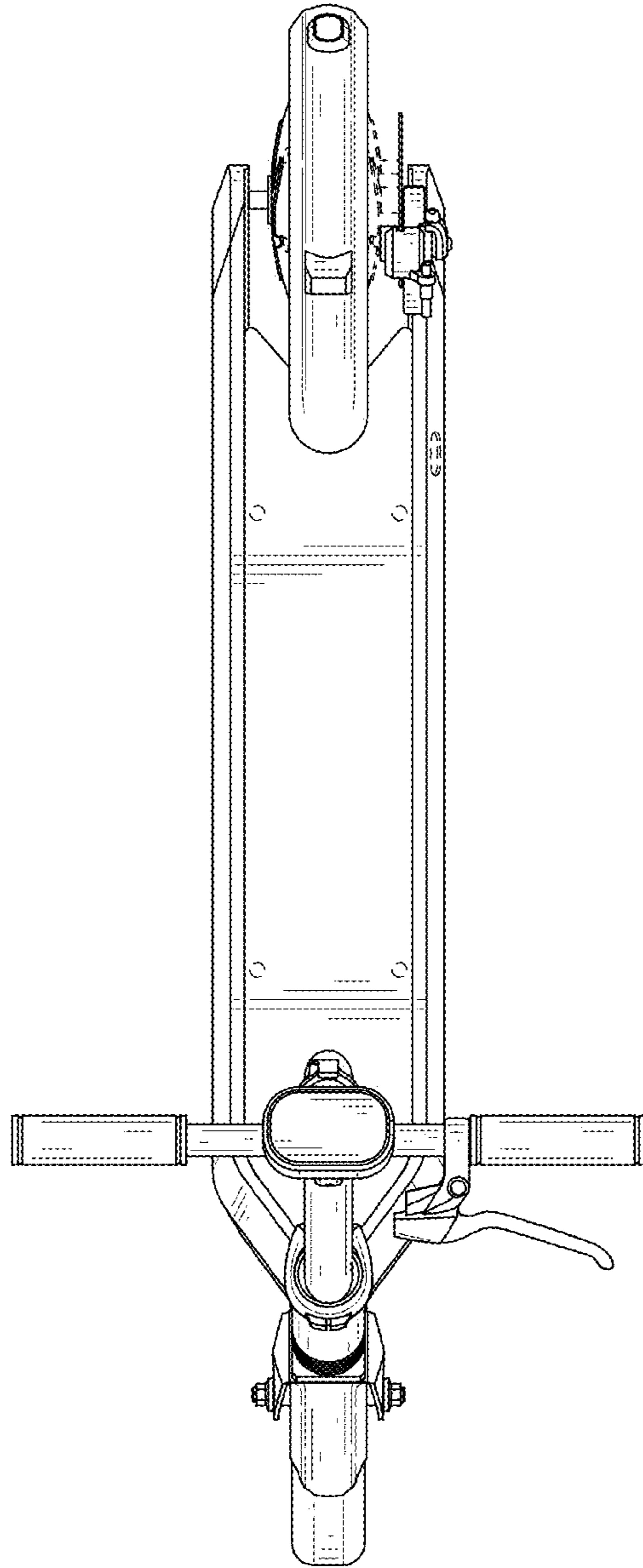


FIG. 7



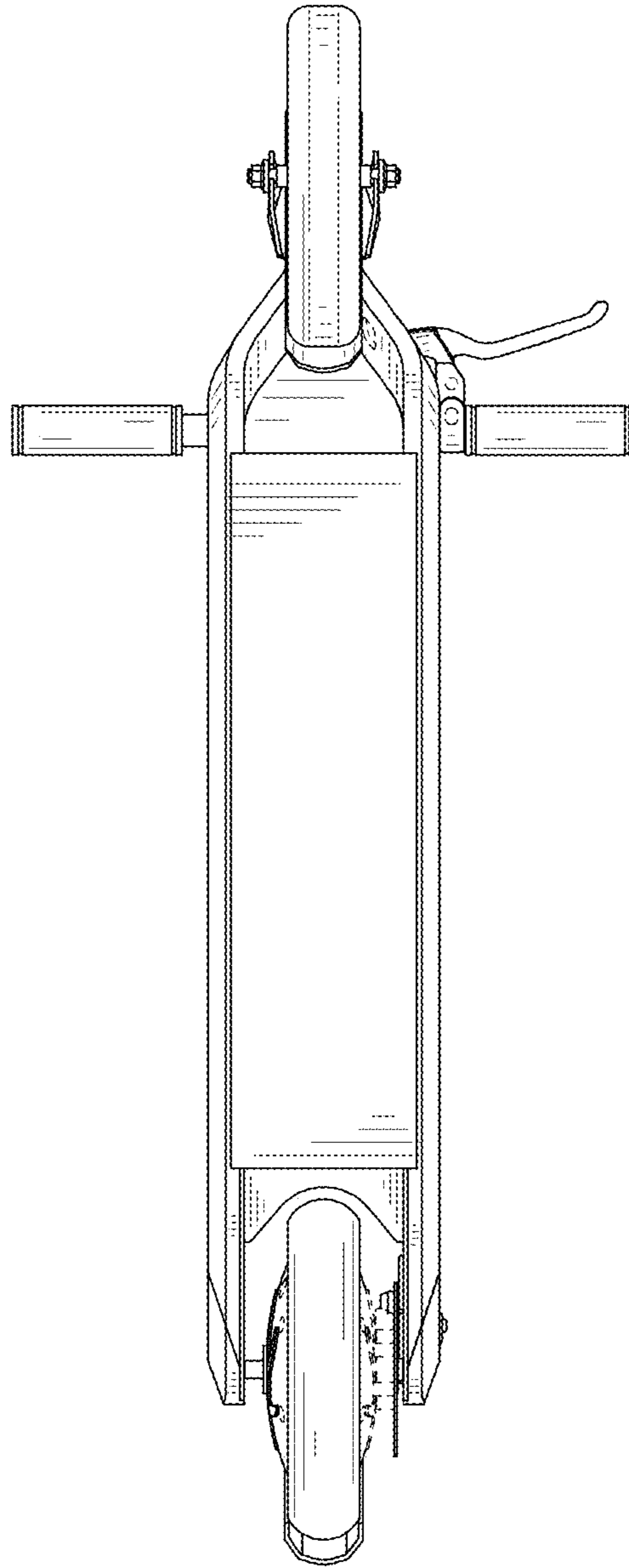


FIG. 8

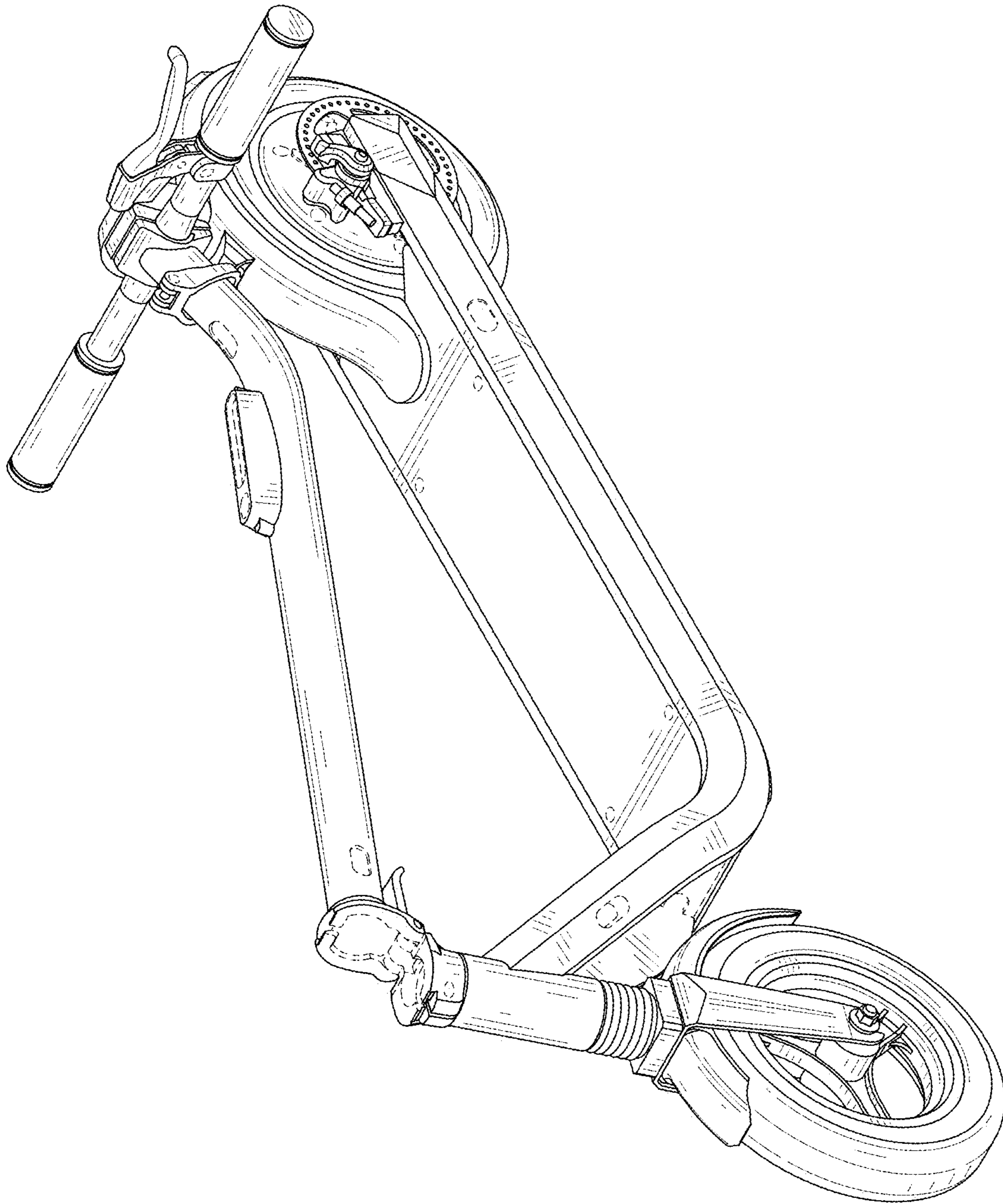


FIG. 9

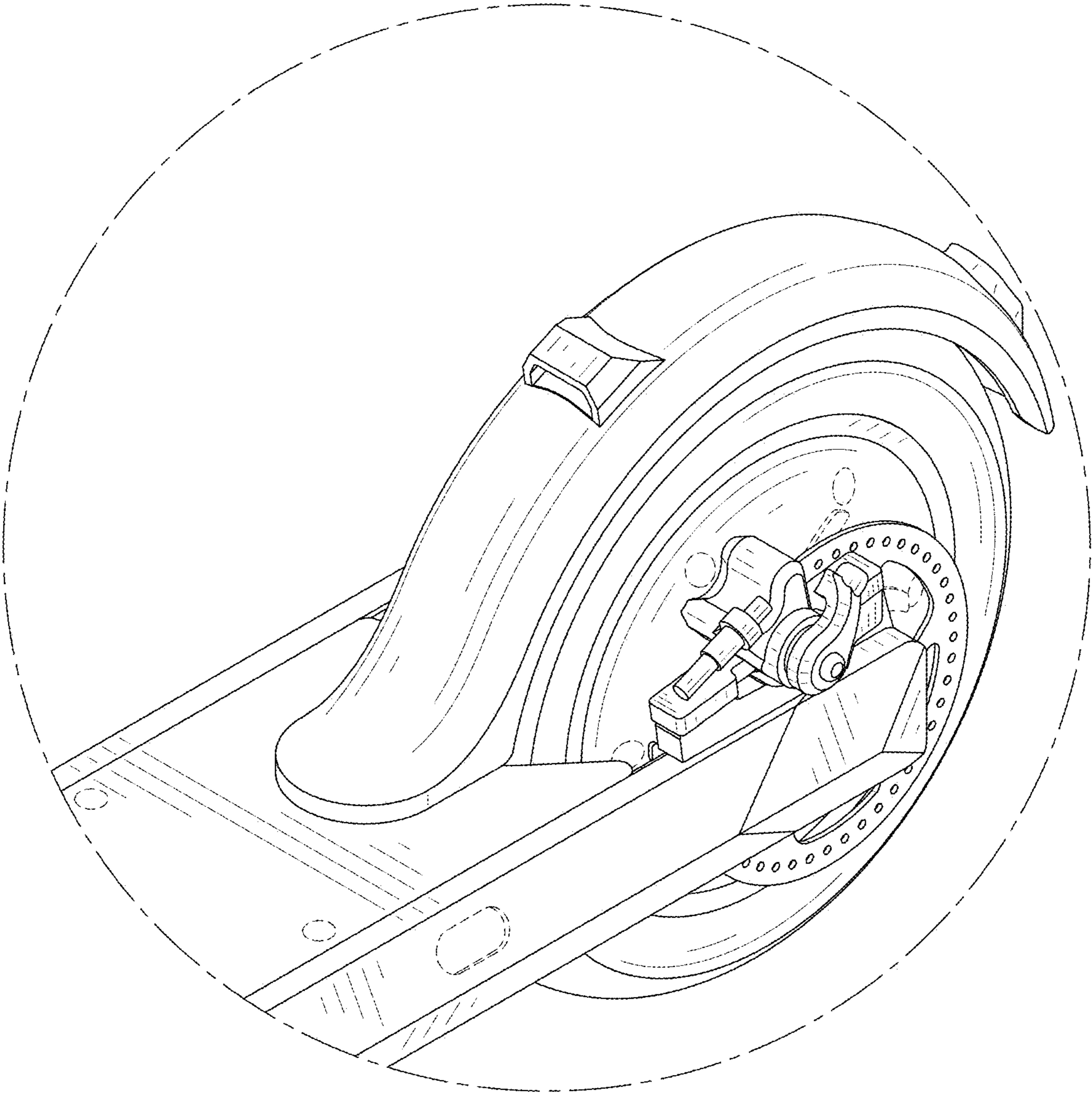


FIG. 10

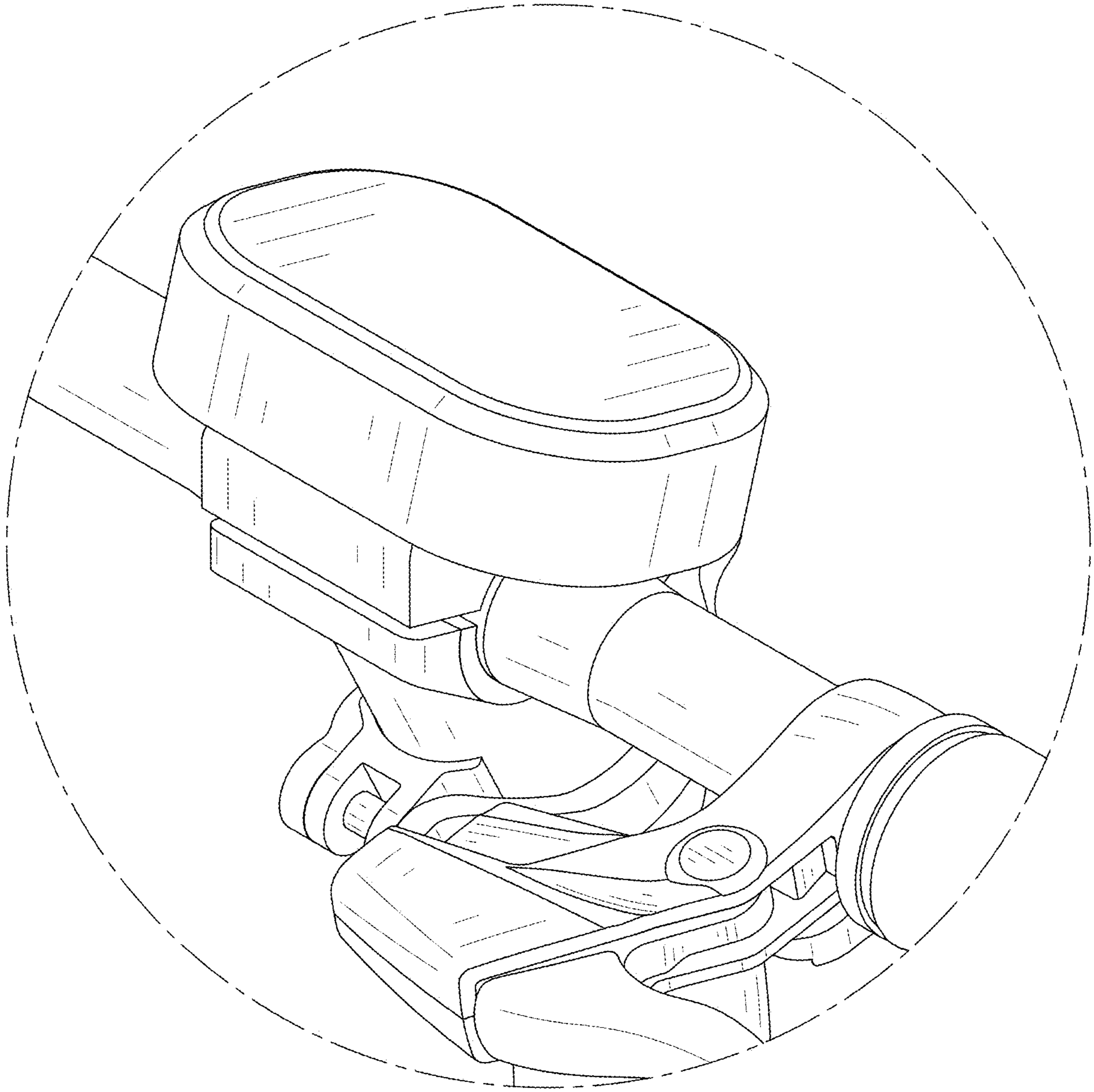


FIG. 11

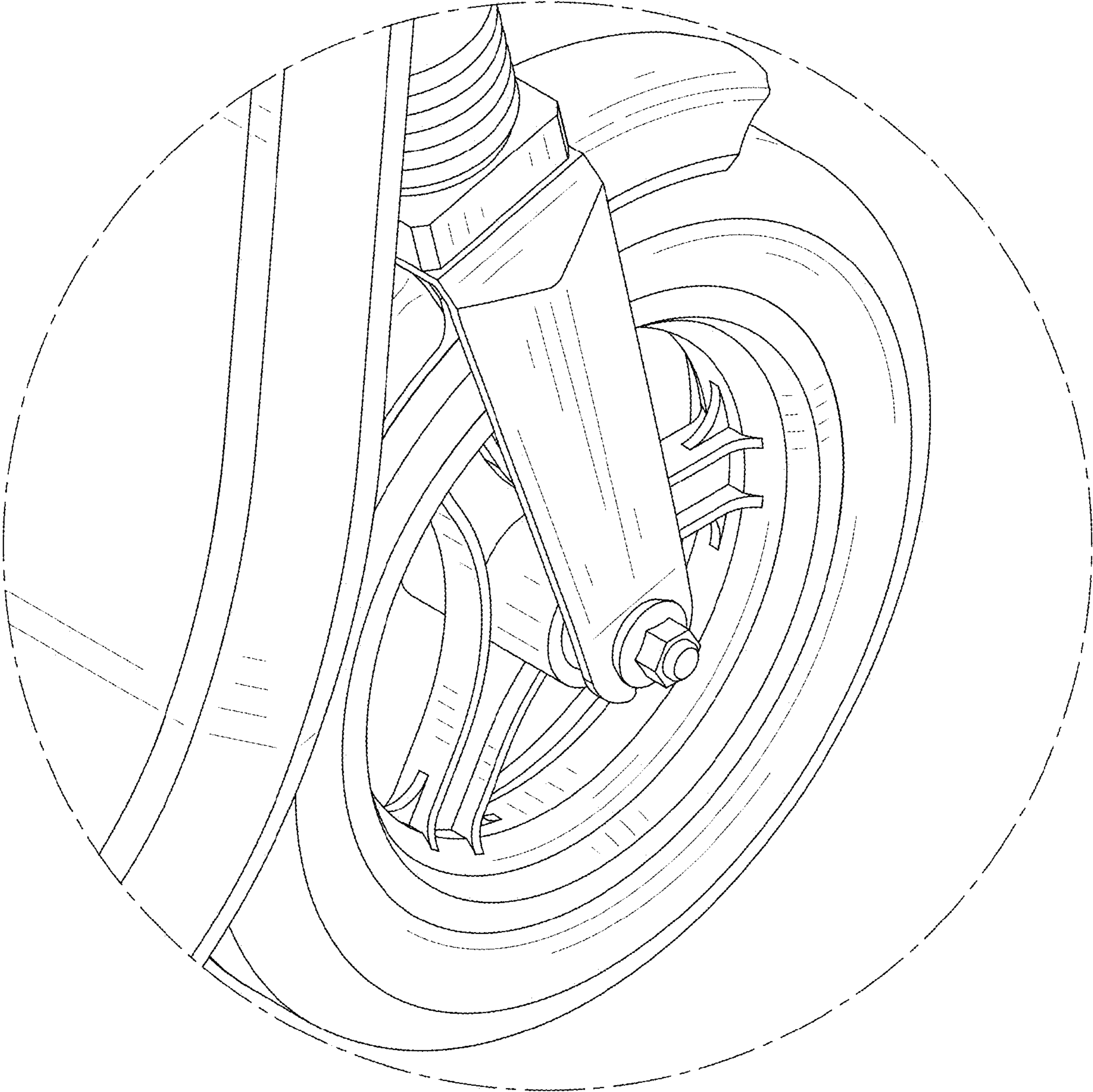


FIG. 12

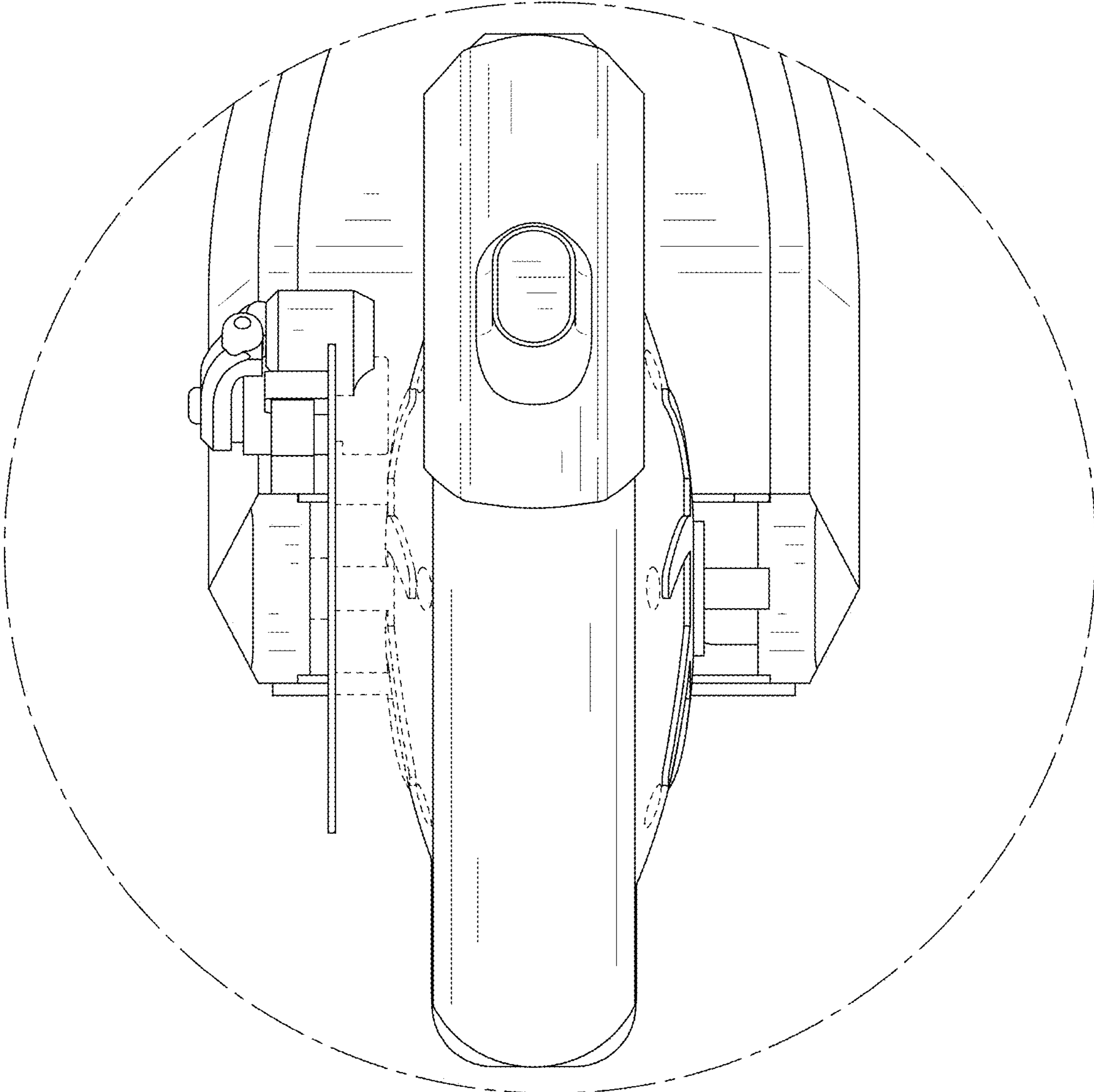


FIG. 13