



US00D886901S

(12) **United States Design Patent**
Hussey et al.

(10) **Patent No.:** **US D886,901 S**

(45) **Date of Patent:** **** Jun. 9, 2020**

(54) **CARTRIDGE**

(71) Applicant: **Talis Biomedical Corporation**, Menlo Park, CA (US)

(72) Inventors: **Lance Gordon Hussey**, Thousand Oaks, CA (US); **Sobha Pisharody**, Castro Valley, CA (US); **Marc Valer Serra**, Menlo Park, CA (US); **Shushuo Wu**, Rancho Santa Margarita, CA (US)

(73) Assignee: **Talis Biomedical Corporation**, Menlo Park, CA (US)

(**) Term: **15 Years**

(21) Appl. No.: **29/667,650**

(22) Filed: **Oct. 23, 2018**

(51) **LOC (12) Cl.** **14-02**

(52) **U.S. Cl.**
USPC **D18/56; D24/216**

(58) **Field of Classification Search**
USPC D18/56, 18, 40, 44, 99; D24/107-109, D24/216
CPC ... B41J 2/17503; B41J 15/044; B01L 2200/16
See application file for complete search history.

(56) **References Cited**

U.S. PATENT DOCUMENTS

D562,975 S * 2/2008 Otto D24/108
D692,052 S * 10/2013 Ishizawa D18/56

D693,456 S * 11/2013 Amirouche D24/108
D735,877 S * 8/2015 Chang D24/216
D777,343 S * 1/2017 Gorin D24/216
2017/0151800 A1 * 6/2017 Nagashima B41J 2/17503

* cited by examiner

Primary Examiner — Manpreet S Matharu

Assistant Examiner — J. Thorn, Sr.

(74) *Attorney, Agent, or Firm* — Shay Glenn LLP

(57) **CLAIM**

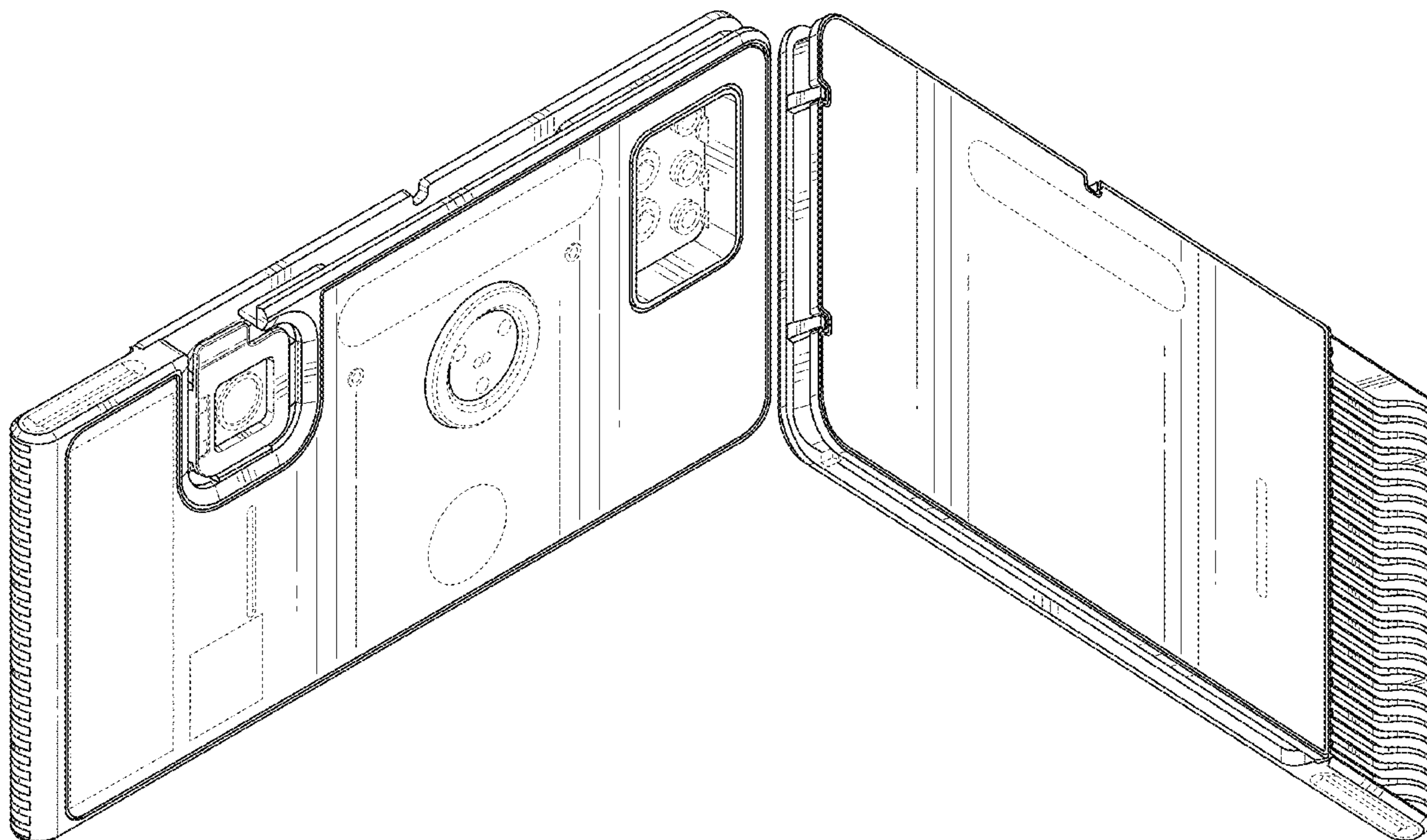
The ornamental design for a cartridge, as shown and described.

DESCRIPTION

FIG. 1 is a front, top, and left perspective view of a cartridge; FIG. 2 is a rear, bottom, and right perspective view thereof; FIG. 3 is a front view thereof; FIG. 4 is a rear view thereof; FIG. 5 is a left view thereof; FIG. 6 is a right view thereof; FIG. 7 is a top view thereof; and, FIG. 8 is a bottom view thereof.

The broken lines in the drawings depict portions of the cartridge that form no part of the claimed design.

1 Claim, 8 Drawing Sheets



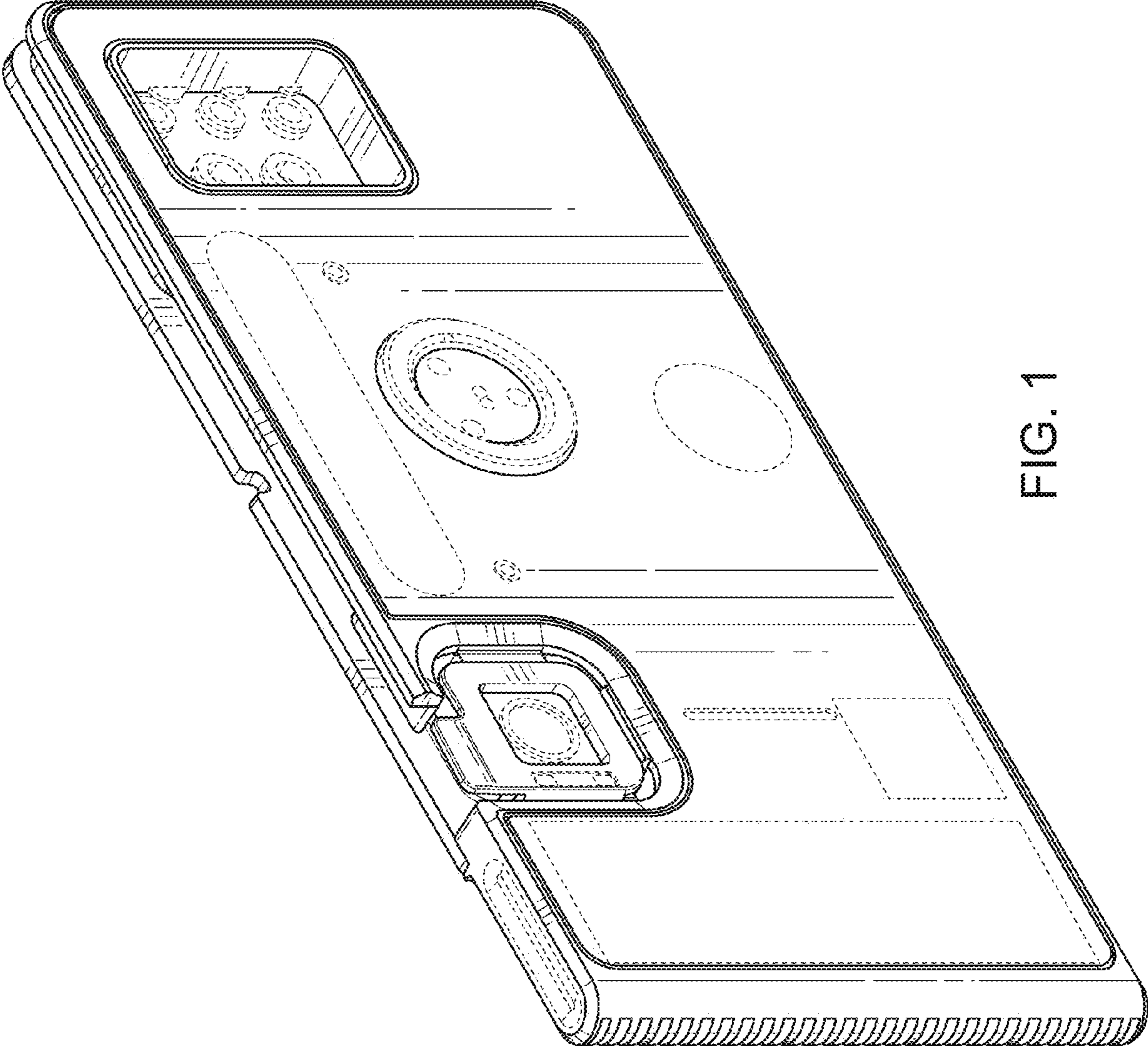


FIG. 1

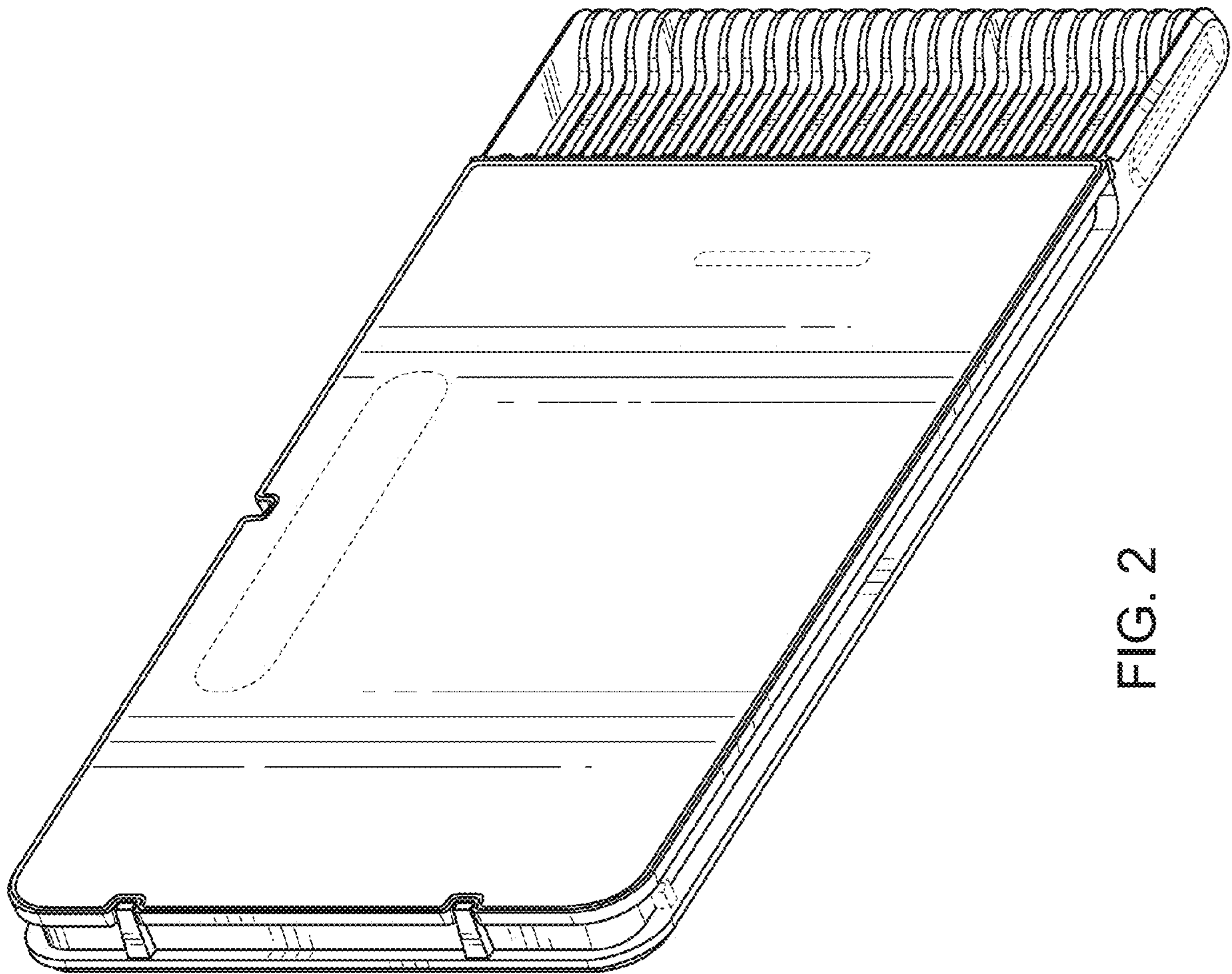


FIG. 2

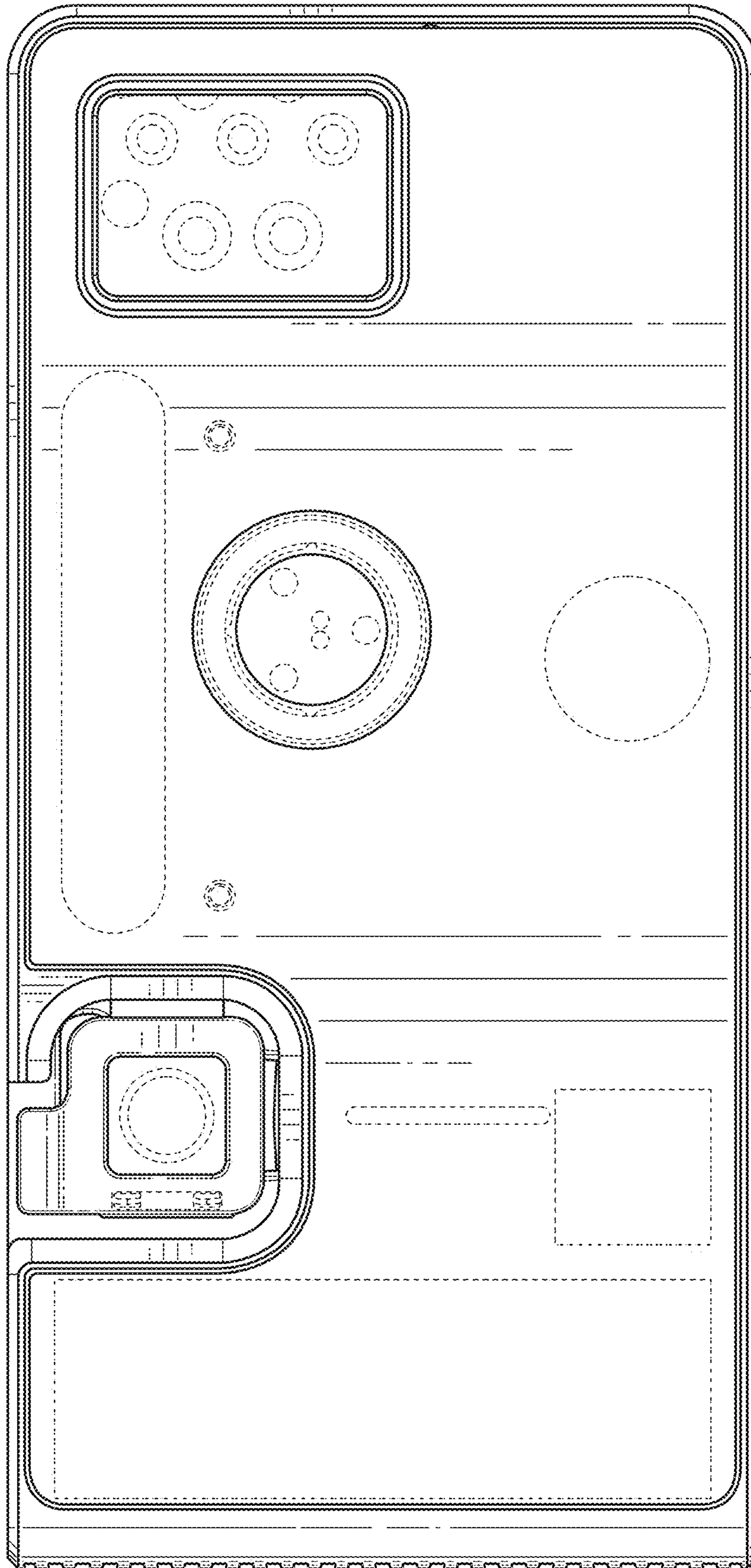


FIG. 3

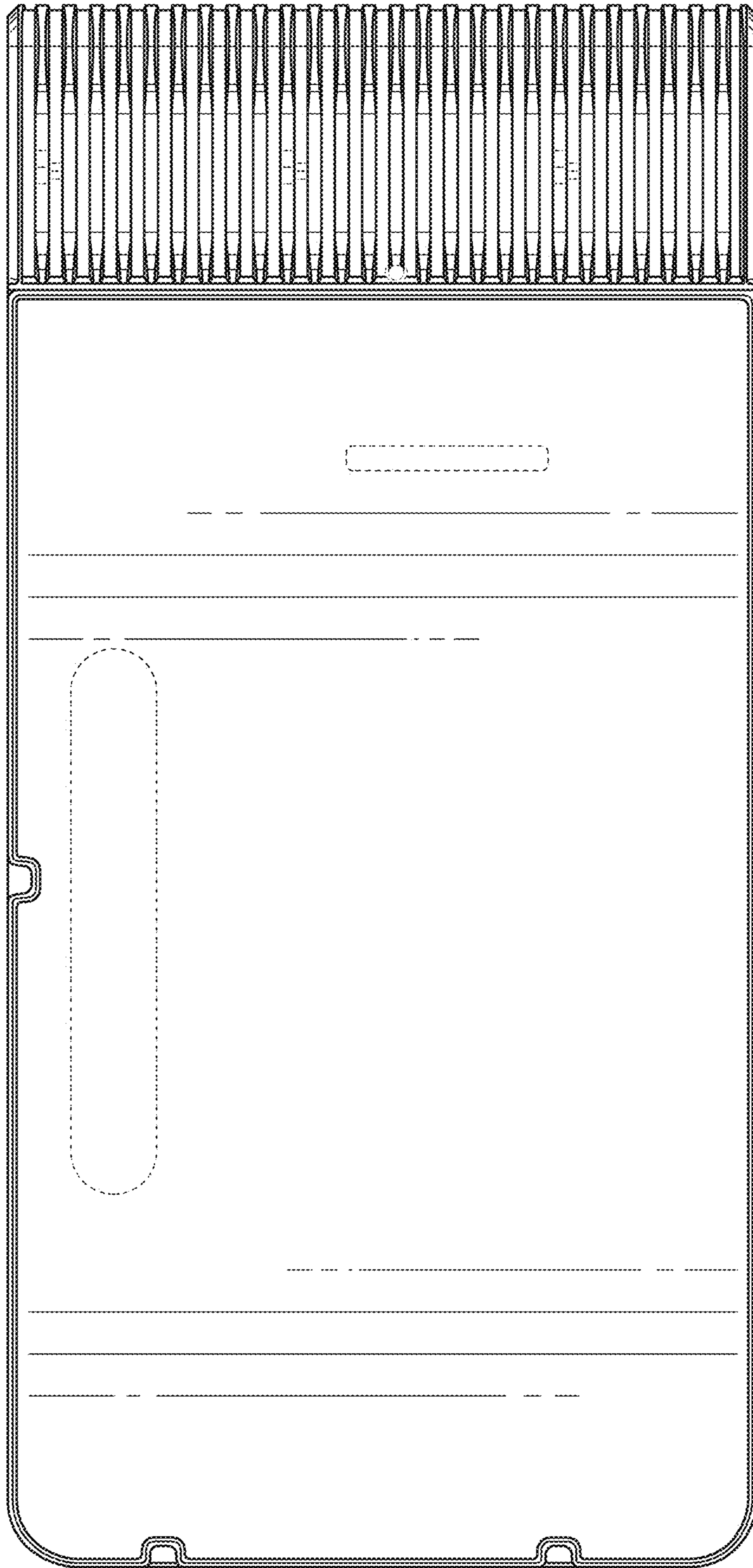


FIG. 4

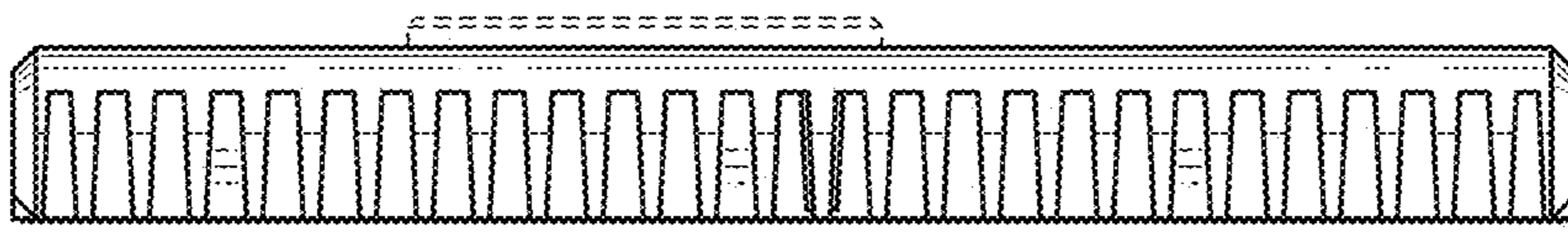


FIG. 5

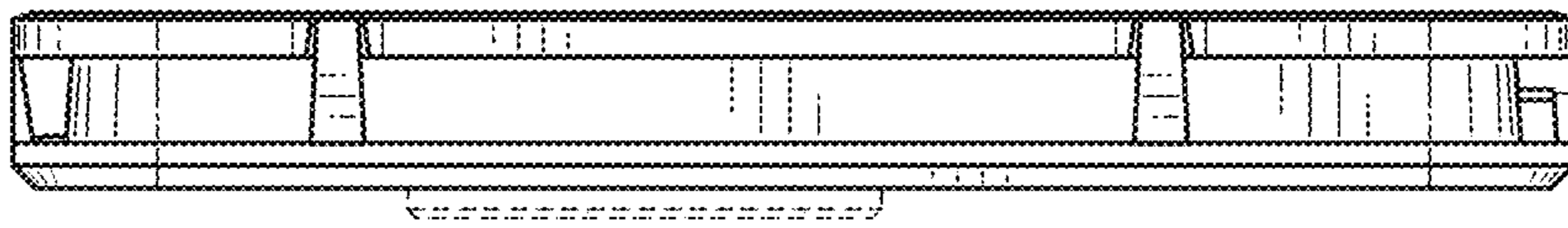


FIG. 6

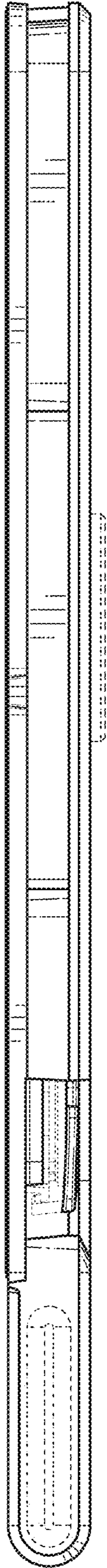


FIG. 7

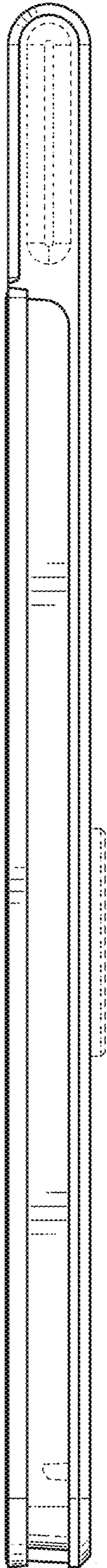


FIG. 8