



US00D886900S

(12) **United States Design Patent** (10) **Patent No.:** **US D886,900 S**
Frank et al. (45) **Date of Patent:** **** Jun. 9, 2020**

(54) **DISPLAY FRAME**

(71) Applicant: **Revolution Retail Systems LLC**,
Carrollton, TX (US)
(72) Inventors: **David Scott Frank**, Coppel, TX (US);
Mark K. Levenick, Flower Mound, TX
(US)
(73) Assignee: **Revolution Retail Systems LLC**,
Carrollton, TX (US)

(**) Term: **15 Years**

(21) Appl. No.: **29/653,558**

(22) Filed: **Jun. 15, 2018**

(51) **LOC (12) Cl.** **18-01**

(52) **U.S. Cl.**

USPC **D18/12.3**; D18/3.1; D99/43

(58) **Field of Classification Search**

USPC ... D18/3.3, 3.1, 3.2, 4.1, 4.4, 12, 12.1, 12.2,
D18/12.3, 46, 47, 56, 59, 41; D14/300,
D14/301, 302, 303, 307, 308, 348, 349,
D14/432, 439, 441, 448, 449, 462, 469,
D14/471, 900, 901, 902, 336, 339, 340,
D14/371, 374, 388, 389, 450, 129;
D10/96, 97; D99/28, 34, 35, 43, 99, 36;
D19/65, 86, 100, 95, 99; D20/1, 8, 9;
D13/162, 162.1; D24/185, 186; D21/329
CPC G07G 1/00; G07G 1/0009; G07G 1/0036;
G07G 1/10; G07G 1/12; G07D 7/00;
G07D 7/04; G07D 9/008; G07D 11/00;
G07D 11/009; G07D 11/0093; G07D
11/50; G07D 2207/00; G07D 2211/00;
G07D 3/00; G07D 3/16; G07D 9/002;
G07D 9/02; G09G 2300/04; H04N
1/00129; H04N 1/0035; H04N 1/00411

See application file for complete search history.

(56) **References Cited**

U.S. PATENT DOCUMENTS

D233,345 S * 10/1974 Kneale et al. D14/308
D247,641 S * 3/1978 Clary D18/12.3
D258,954 S * 4/1981 Leon D13/164

(Continued)

OTHER PUBLICATIONS

Revolution Retail Systems: Quantum™ Series. (online) 2 pgs.
Images individually dated 2016 [Retrieved on Jul. 9, 2019] <https://www.revolutionretailsystems.com/quantum-series/>.*

(Continued)

Primary Examiner — Marie D. Fast Horse

(74) *Attorney, Agent, or Firm* — Locke Lord LLP;
Charles E. Phipps; Alicia J. Carroll

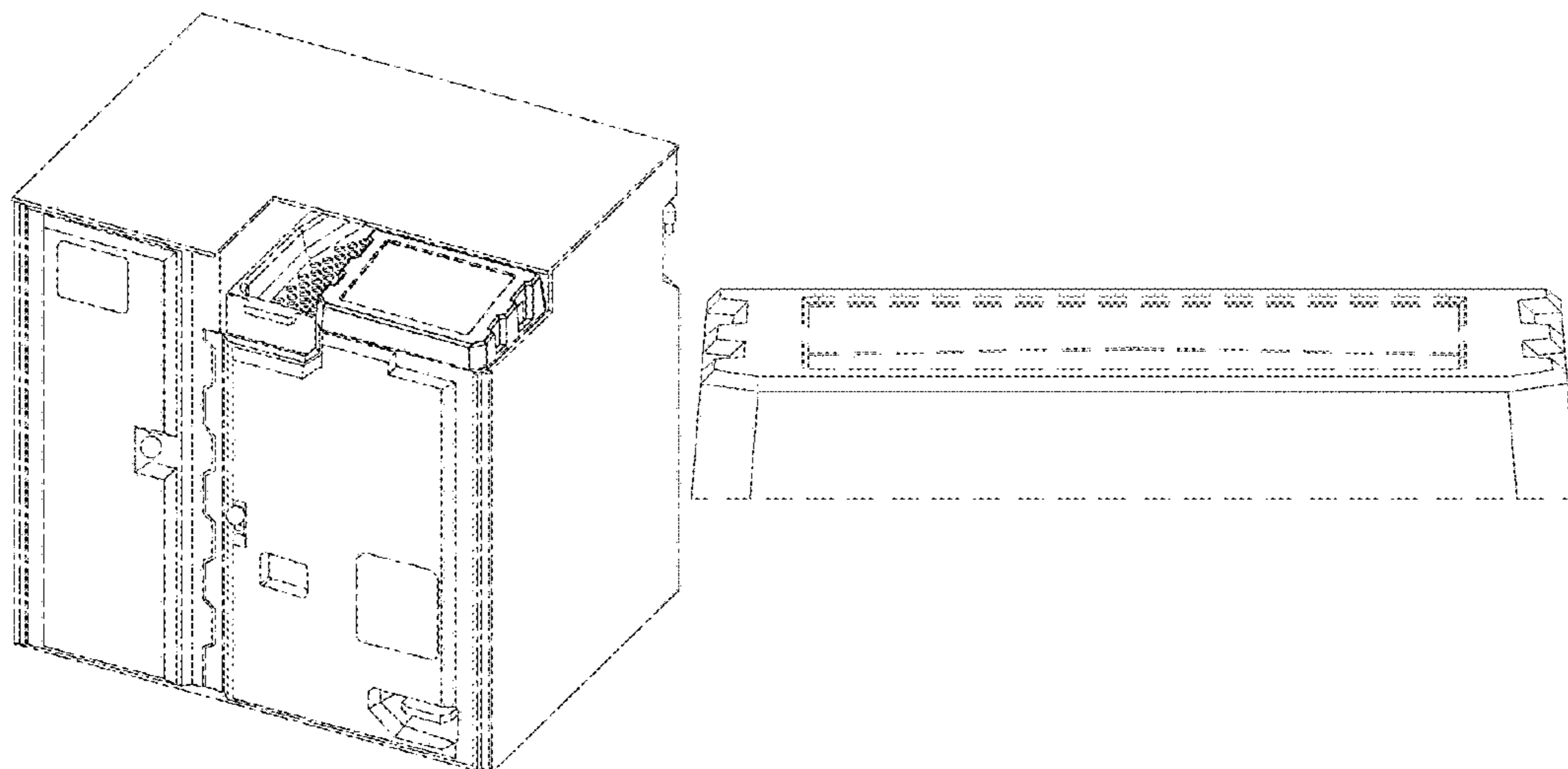
(57) **CLAIM**

The ornamental design for a display frame, as shown and described.

DESCRIPTION

FIG. 1 is a perspective view of a currency recycler having a display frame;
FIG. 2 is a front elevation view of the display frame of FIG. 1;
FIG. 3 is a back elevation view of the display frame of FIG. 1;
FIG. 4 is a top elevation view of the display frame of FIG. 1;
FIG. 5 is a bottom elevation view of the display frame of FIG. 1;
FIG. 6 is left-side elevation view of the display frame of FIG. 1; and,
FIG. 7 is right-side elevation view of the display frame of FIG. 1.
The dash-dot-dash broken lines in FIG. 1 depict environmental subject matter only and form no part of the claim; while all other broken lines in FIGS. 1-7 depict portions of the display frame that form no part of the claimed design.

1 Claim, 5 Drawing Sheets



(56)

References Cited

U.S. PATENT DOCUMENTS

4,376,442 A * 3/1983 Gomez G07D 3/10
453/32
D282,366 S * 1/1986 Aderman D14/302
D286,162 S * 10/1986 Nibley D14/435
D305,647 S * 1/1990 Kato D14/374
D347,837 S * 6/1994 Gerlach D14/299
D357,198 S * 4/1995 Gatley D10/94
D357,495 S * 4/1995 Skaggs D14/336
D359,727 S * 6/1995 Wilson D14/336
D371,887 S * 7/1996 Minagawa D99/28
5,644,119 A 7/1997 Padula et al.
D400,181 S * 10/1998 Floyd D13/162
6,003,652 A 12/1999 Murata et al.
D426,212 S * 6/2000 Storti D14/125
D449,601 S * 10/2001 Baldwin D14/336
D451,145 S * 11/2001 Taxon D20/8
D456,020 S * 4/2002 Obata D14/336
D458,968 S * 6/2002 Taxon D20/8
D461,190 S * 8/2002 Bell D14/448
D462,983 S * 9/2002 Lum D18/12.3
D464,971 S * 10/2002 Pombo D14/432
D468,735 S * 1/2003 Landerholm D14/336
D544,908 S * 6/2007 Gant D18/56
D554,069 S * 10/2007 Bolotin D13/162
D558,152 S * 12/2007 Tatsuyama D13/162
D560,280 S * 1/2008 Skwarek D24/186
D566,196 S * 4/2008 Morrow D21/329
D579,486 S * 10/2008 Gant D18/56
D585,056 S * 1/2009 Ekelund D14/336
D606,536 S * 12/2009 Smith D14/336
7,625,272 B1 12/2009 Moreland et al.
D643,682 S * 8/2011 Asthon D7/397
D653,835 S * 2/2012 Strempack D14/307
D659,034 S * 5/2012 Bailey D10/63
D661,727 S * 6/2012 Bleck D18/3.3
D663,765 S * 7/2012 Bleck D18/3.3
D679,885 S * 4/2013 Pollmann D99/28
D685,416 S * 7/2013 Hutchison D18/56
D691,096 S * 10/2013 Beroukas D13/162
D693,803 S * 11/2013 Colley D14/307
D697,506 S * 1/2014 Bianco D14/336
D697,910 S * 1/2014 Bianco D14/336
D701,207 S * 3/2014 van den Heuvel D14/167
D707,015 S * 6/2014 Spencer D99/34
D721,740 S * 1/2015 Schmaltz D15/28
D726,253 S * 4/2015 Kim D18/50
D731,560 S * 6/2015 Schmaltz D15/28
D732,263 S * 6/2015 Budde D99/28
D735,343 S * 7/2015 Dorsey D24/186
D742,332 S * 11/2015 Matsuguma D13/162
D748,065 S * 1/2016 Trochum D13/162
D753,607 S * 4/2016 Lee D13/162
D755,394 S * 5/2016 Collins D24/169

D756,064 S * 5/2016 Budde D99/28
D761,327 S * 7/2016 Schmaltz D15/28
D763,352 S * 8/2016 Kim D18/56
D763,929 S * 8/2016 Schmaltz D15/28
9,470,035 B2 * 10/2016 Denny E05G 1/024
D776,665 S * 1/2017 Karlsson D14/432
D792,925 S * 7/2017 Peng D18/56
D810,079 S * 2/2018 Boesiger D14/371
D818,040 S * 5/2018 Martin D18/56
D821,488 S * 6/2018 Brown D18/41
D821,489 S * 6/2018 Brown D18/41
10,262,488 B1 * 4/2019 Frank G07D 9/008
D848,867 S * 5/2019 Matsumiya D10/49
D871,498 S * 12/2019 Kim D18/3.1
2001/0006883 A1 * 7/2001 Abe G07D 9/008
453/18
2003/0190882 A1 * 10/2003 Blake G07D 9/008
453/63
2004/0097182 A1 5/2004 Hill et al.
2004/0256197 A1 * 12/2004 Blake G07D 3/00
194/350
2007/0087675 A1 * 4/2007 Umeda G07D 3/14
453/3
2007/0149102 A1 * 6/2007 Umeda G07D 9/00
453/56
2008/0171508 A1 * 7/2008 Enomoto G07D 1/00
453/18
2009/0242626 A1 * 10/2009 Jones G06Q 40/00
235/379
2010/0230231 A1 9/2010 Uesaka et al.
2013/0199890 A1 * 8/2013 Blake G07D 9/00
194/216
2014/0030973 A1 * 1/2014 Bengtsson G07D 1/00
453/18
2014/0031974 A1 * 1/2014 Ingvarsson G07D 9/00
700/232
2016/0284151 A1 9/2016 Fujimura et al.

OTHER PUBLICATIONS

Quantum-Front-4-23-19-72dp. <https://www.revolutionretailsystems.com/quantum-series/> (online image) 1 pg. 2016. [Retrieved on Jul. 9, 2019] <https://www.revolutionretailsystems.com/rrs2016/wp-content/uploads/Quantum-Front-4-23-19-72dpi.jpg>.
Quantum-45degree-4-23-19-72dp. <https://www.revolutionretailsystems.com/quantum-series/> (online image) 1 pg. 2016. [Retrieved on Jul. 8, 2019] <https://www.revolutionretailsystems.com/rrs2016/wp-content/uploads/Quantum-45degree-4-23-19-72dpi.jpg>.
EN-Quantum-1. <https://www.revolutionretailsystems.com/quantum-series/> (online image) 1 pg. 2016. [Retrieved on Jul. 8, 2019] <https://www.revolutionretailsystems.com/rrs2016/wp-content/uploads/EN-Quantum-1.jpg>.

* cited by examiner

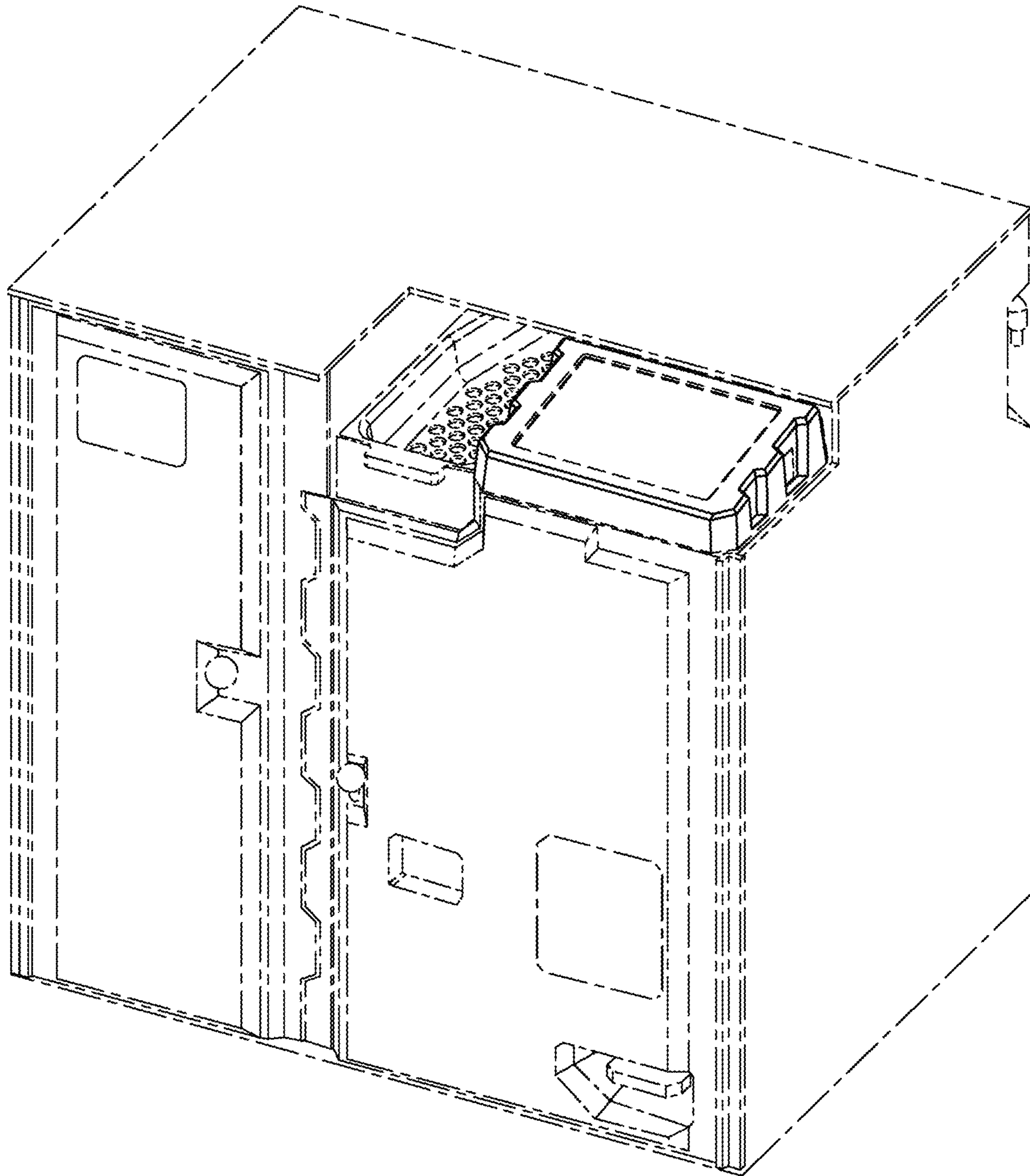


FIG. 1

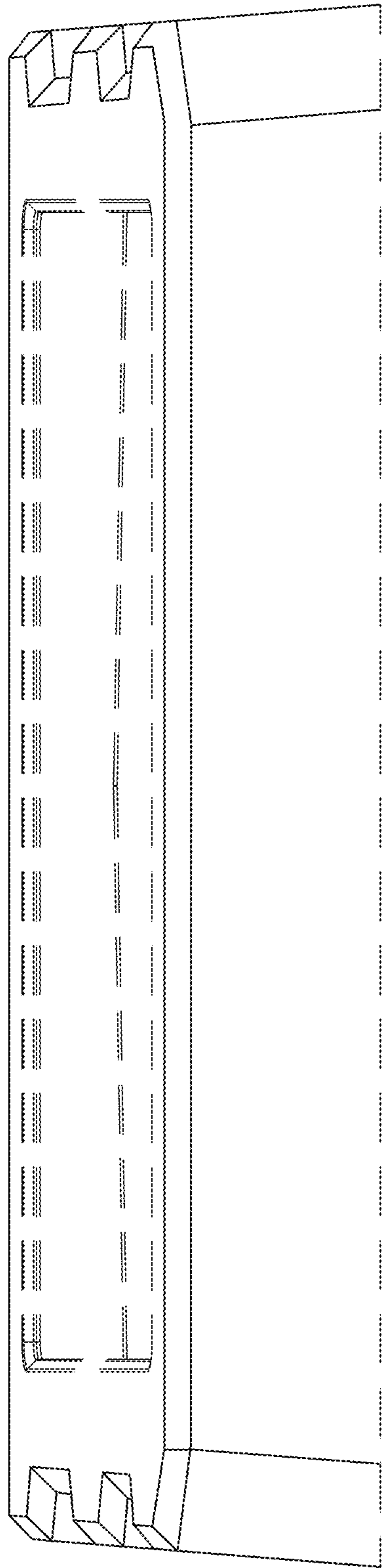


FIG. 2

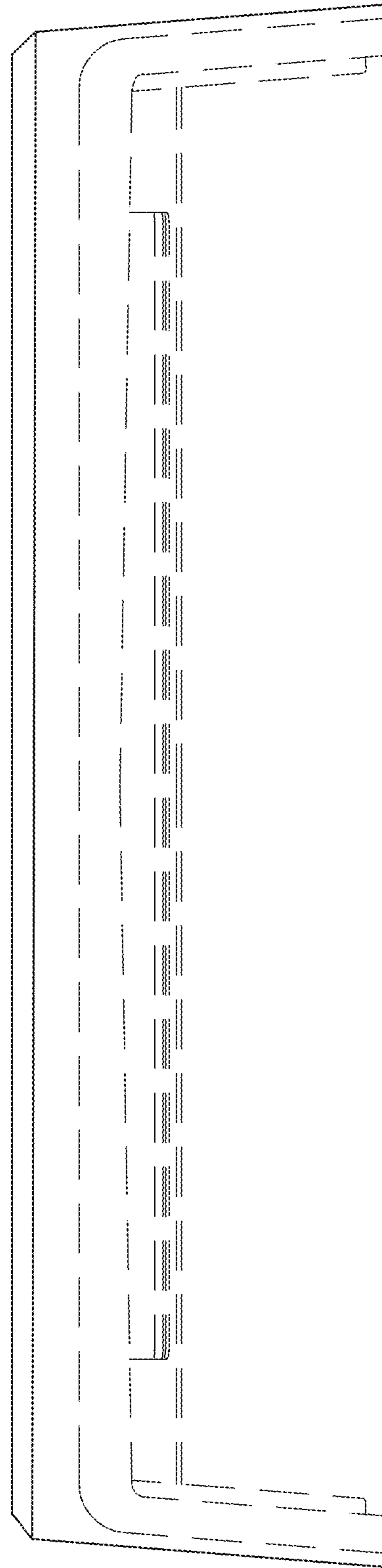


FIG. 3

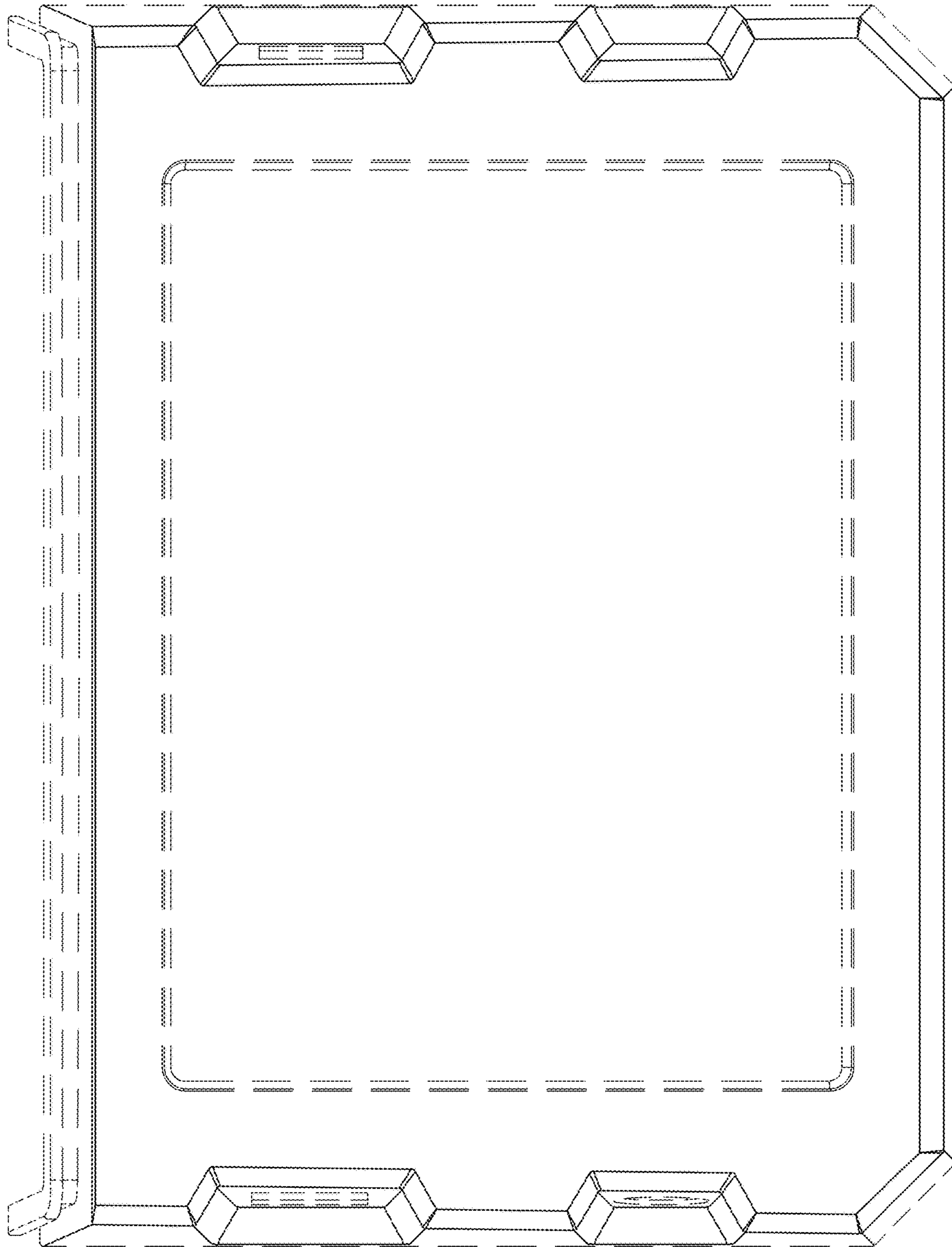


FIG. 4

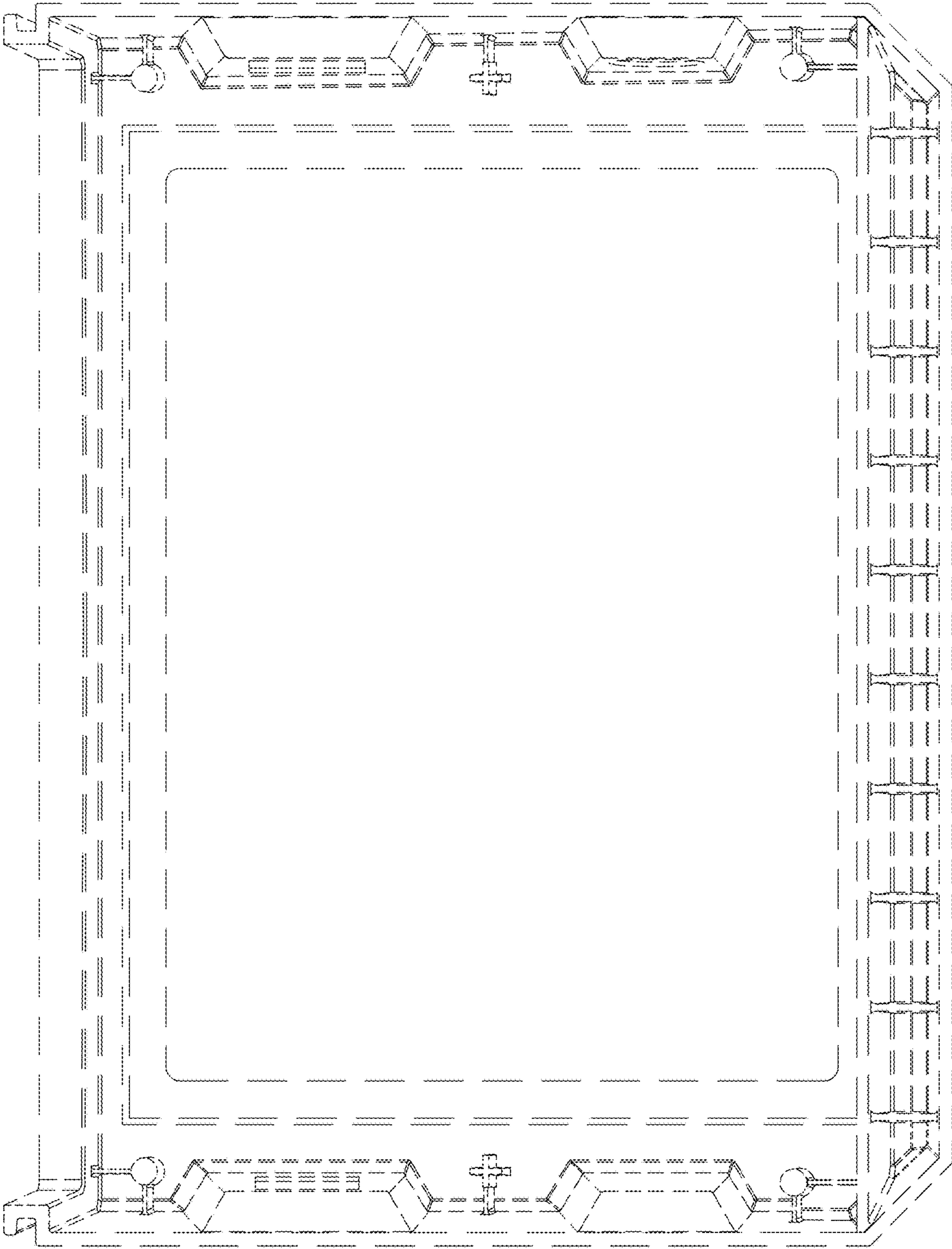


FIG. 5

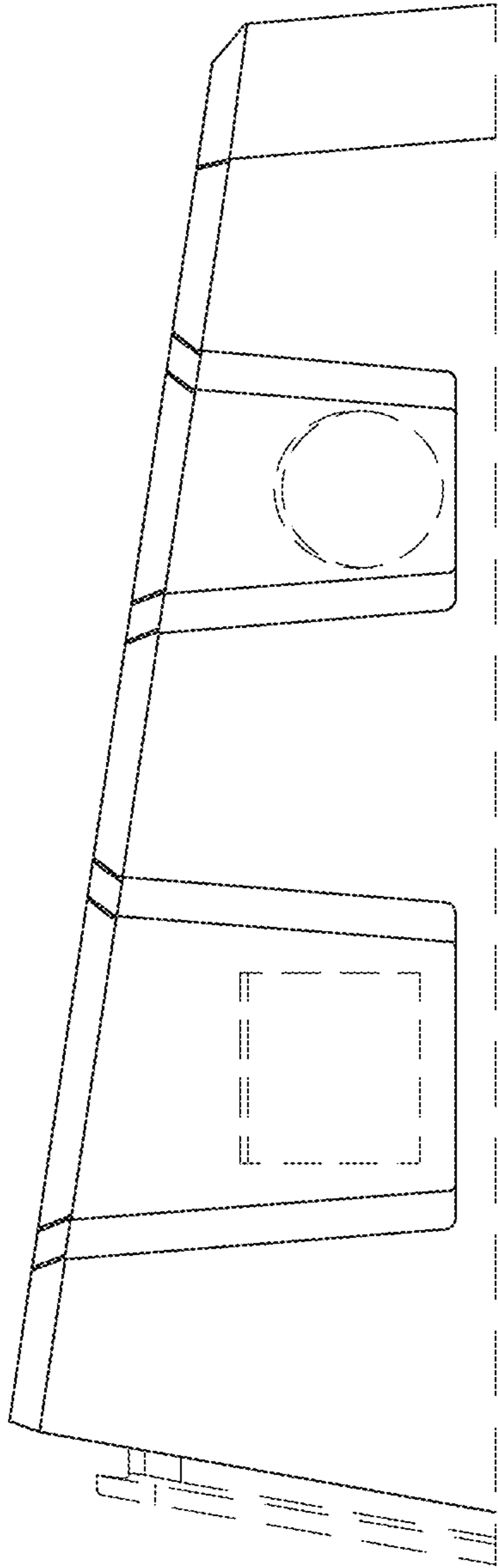


FIG. 6

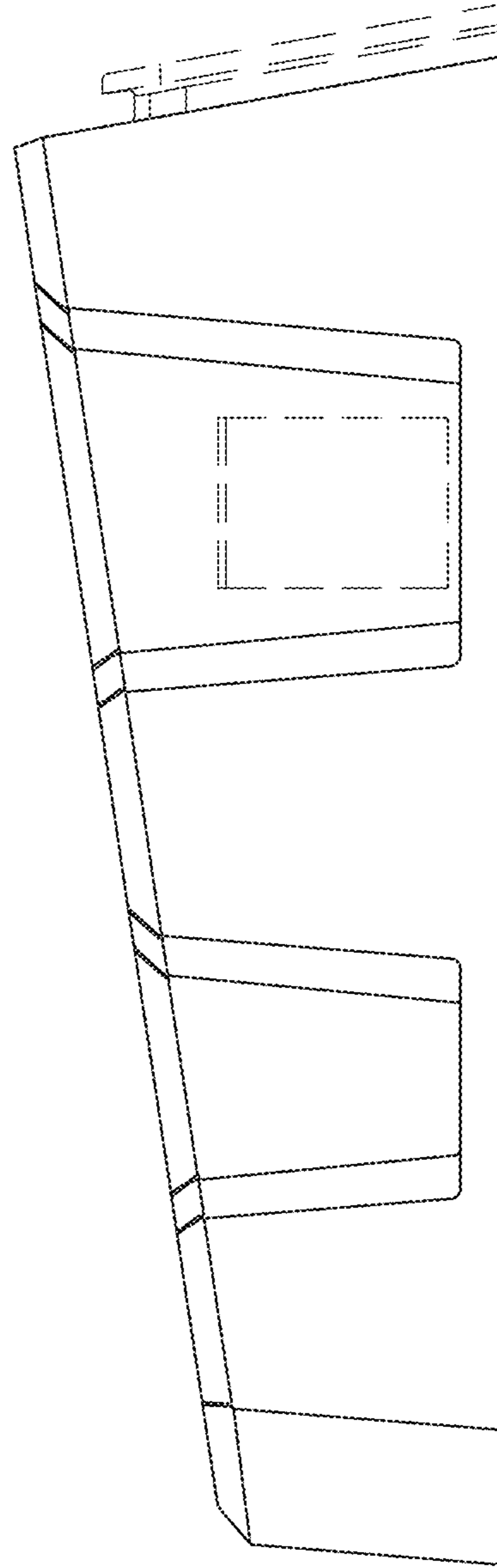


FIG. 7