



US00D886899S

(12) **United States Design Patent**
Jung

(10) **Patent No.:** **US D886,899 S**

(45) **Date of Patent:** **** Jun. 9, 2020**

(54) **COIN HOLDER FOR CASH REGISTER**

(71) Applicant: **Steven Leong Jung**, Vancouver (CA)

(72) Inventor: **Steven Leong Jung**, Vancouver (CA)

(73) Assignee: **Steven Leong Jung**, Vancouver, British Columbia (CA)

(**) Term: **15 Years**

(21) Appl. No.: **29/643,352**

(22) Filed: **Apr. 6, 2018**

Related U.S. Application Data

(63) Continuation-in-part of application No. 29/561,863, filed on Apr. 20, 2016, now abandoned.

(51) **LOC (12) Cl.** **18-01**

(52) **U.S. Cl.**
USPC **D18/12.1; D99/34**

(58) **Field of Classification Search**
USPC D99/34; D18/3.1, 12, 12.1; D21/392; D20/1, 8, 9

(Continued)

(56) **References Cited**

U.S. PATENT DOCUMENTS

189,956 A 4/1877 Read
363,239 A 5/1887 Howe

(Continued)

FOREIGN PATENT DOCUMENTS

DE 438573 2/1926
DE 878738 6/1953

(Continued)

OTHER PUBLICATIONS

Coin Trays and Holders. (Design—© Questel). orbit.com.[online PDF] 11 pgs. Print Dates range Jul. 31, 2002 through Dec. 14, 2016

[retrieved on Sep. 5, 2017] <https://sobjprd.questel.fr/export/QPTUJ214/pdf2/1bd89814-745a-46c2-9504-2149841c5548-222637.pdf>.*

Primary Examiner — Marie D. Fast Horse

(74) *Attorney, Agent, or Firm* — McCarthy Tétrault LLP

(57) **CLAIM**

The ornamental design for a coin holder for cash register, as shown and described.

DESCRIPTION

FIG. 1 is a top plan view of the coin holder for cash register in accordance with one embodiment of the design;

FIG. 2 is a bottom plan view thereof;

FIG. 3 is a front elevation view thereof;

FIG. 4 is a rear elevation view thereof;

FIG. 5 is a right side elevation view thereof;

FIG. 6 is a left side elevation view thereof;

FIG. 7 is a top left perspective view thereof;

FIG. 8 is a bottom left perspective view thereof;

FIG. 9 is a sectional view thereof taken along section line 9-9 of FIG. 1;

FIG. 10 is a top plan view of the coin holder for cash register in accordance with another embodiment of the design;

FIG. 11 is a bottom plan view thereof;

FIG. 12 is a front elevation view thereof;

FIG. 13 is a rear elevation view thereof;

FIG. 14 is a right side elevation view thereof;

FIG. 15 is a left side elevation view thereof;

FIG. 16 is a top left perspective view thereof;

FIG. 17 is a bottom left perspective view thereof;

FIG. 18 is a sectional view thereof taken along section line 18-18 of FIG. 10;

FIG. 19 is a top plan view of the coin holder for cash register in accordance with another embodiment of the design;

FIG. 20 is a bottom plan view thereof;

FIG. 21 is a front elevation view thereof;

FIG. 22 is a rear elevation view thereof;

FIG. 23 is a right side elevation view thereof;

FIG. 24 is a left side elevation view thereof;

FIG. 25 is a top left perspective view thereof;

FIG. 26 is a bottom left perspective view thereof; and,

(Continued)

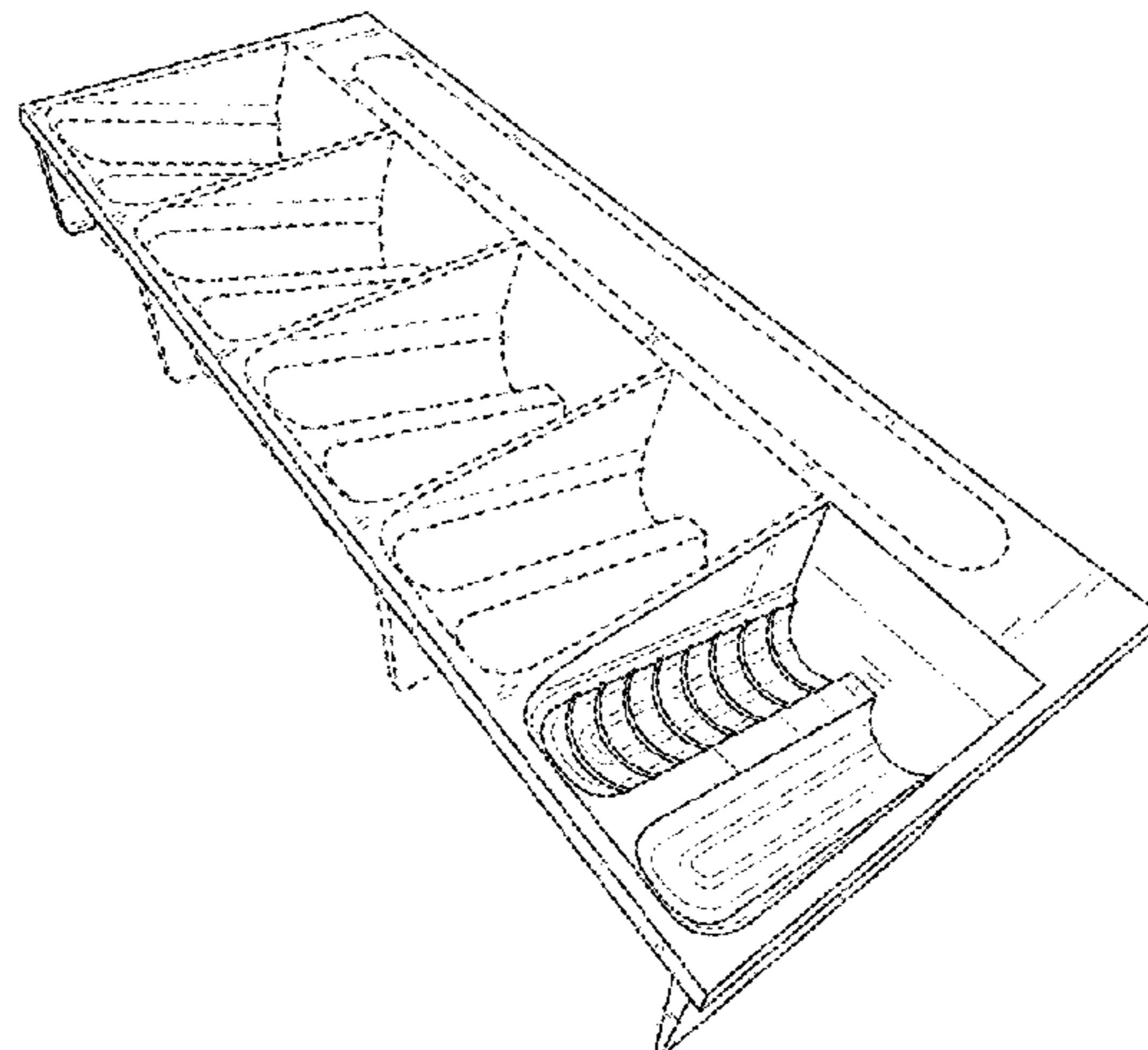
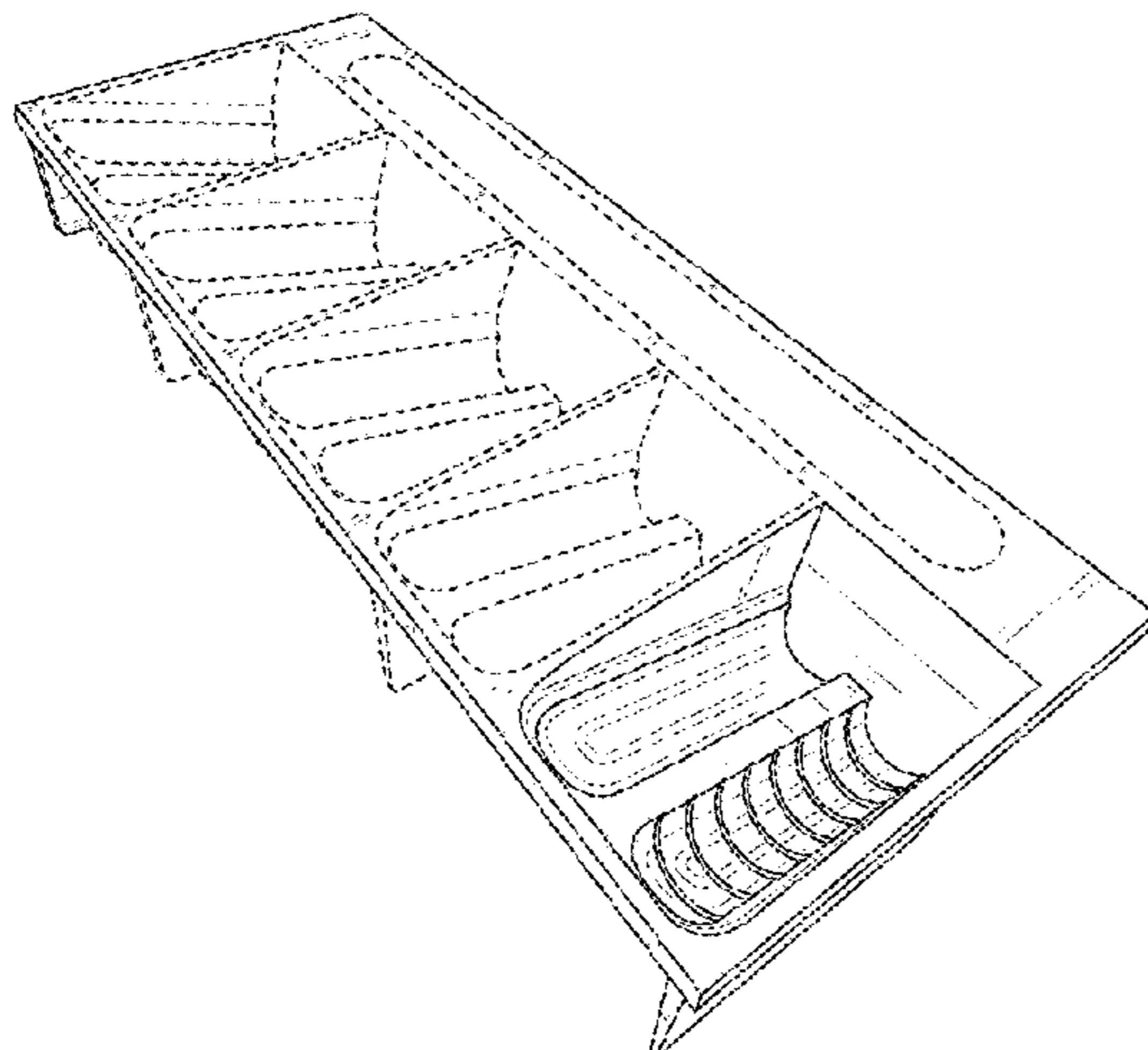


FIG. 27 is a sectional view thereof taken along section line 27-27 of FIG. 19.

The claim is directed to the design shown in solid lines and shaded surfaces. The broken lines depict portions of the coin holder for cash register that form no part of the claim. Lines 9-9, 18-18 and 27-27 consisting of spaced dashes shown in FIGS. 1, 10 and 19 respectively are section lines for illustrative purposes only and do not form part of the claimed design.

1 Claim, 24 Drawing Sheets

(58) **Field of Classification Search**

CPC G07D 9/002; G07D 9/02; G07D 9/06; G07D 9/00

See application file for complete search history.

(56) **References Cited**

U.S. PATENT DOCUMENTS

442,892 A * 12/1890 Hock G07D 9/002
453/60

451,664 A 5/1891 Culver

518,948 A 5/1894 Hayden

858,331 A 6/1907 Brewster

1,120,081 A * 12/1914 Potter G07D 9/002
206/0.84

1,488,025 A * 3/1924 Poynter G07D 9/002
211/126.16

1,586,111 A * 5/1926 Osborn A63F 1/06
206/558

1,751,615 A * 3/1930 Bower G07D 9/06
206/0.83

1,795,967 A 3/1931 Read

1,861,310 A * 5/1932 Liebendorfer G07D 9/00
211/55

2,215,858 A * 9/1940 Slootsky G07D 9/06
206/0.84

2,221,072 A 11/1940 Bennett

2,302,861 A * 11/1942 Hinkel G07D 9/06
206/0.8

D154,028 S * 6/1949 Du Mont D15/138

D161,937 S * 2/1951 Kelly D99/34

D165,565 S * 12/1951 White D28/73

2,597,365 A 5/1952 Newman

2,620,109 A * 12/1952 Smathers G07D 9/06
53/254

2,642,985 A 6/1953 Whitcomb

2,654,376 A 10/1953 Hultberg

D185,105 S * 5/1959 Ullman D99/34

2,952,108 A * 9/1960 Ullman G07D 9/06
53/213

D194,138 S * 11/1962 Waller D11/143

3,107,467 A 10/1963 Gates

3,172,414 A 3/1965 Kurz

D223,292 S * 4/1972 Brewster D18/3.1

D223,309 S * 4/1972 van Valin D24/227

3,736,947 A 6/1973 Gdanski

D235,224 S * 5/1975 Peasley D99/34

D237,006 S * 9/1975 Gray D99/34

D247,992 S * 5/1978 Garson D19/75

D248,793 S * 8/1978 Ross D18/12.1

D257,159 S * 9/1980 Hubbard 273/148 A

D268,219 S * 3/1983 Janetos D99/34

D273,403 S * 4/1984 DeLuca D21/392

D279,934 S * 7/1985 Eriksson D99/34

D292,739 S * 11/1987 Izant D99/34

D303,863 S * 10/1989 Purifoy D99/34

D308,278 S * 5/1990 Edwards D21/392

4,950,203 A * 8/1990 Tomaiko G07D 9/06
453/59

5,024,629 A 6/1991 Murray

5,366,407 A 11/1994 Sentoku

5,441,448 A 8/1995 Yang

D382,552 S * 8/1997 Tomlinson, Jr. D14/384

5,757,876 A * 5/1998 Dam G06M 1/101
377/14

5,830,055 A * 11/1998 Jones G07D 1/00
453/41

D417,059 S * 11/1999 Richter D99/34

6,490,774 B2 12/2002 Carter

D482,735 S * 11/2003 Evans D21/392

D526,760 S * 8/2006 Fraser D99/34

D648,095 S 11/2011 Fernandez et al.

D657,427 S * 4/2012 Gelinotte G07F 7/0893
D21/392

D665,273 S * 8/2012 Castelletti D9/758

D692,066 S * 10/2013 Miller D21/392

D692,067 S * 10/2013 Miller D21/392

D692,068 S * 10/2013 Miller D21/392

8,567,784 B2 * 10/2013 Miller A63F 9/00
273/148 A

D714,877 S 10/2014 Kneitel

D774,595 S * 12/2016 Stolarz D20/8

D801,689 S * 11/2017 Shannon D3/313

9,839,837 B2 * 12/2017 Miller A63F 1/06

D858,643 S * 9/2019 Miller G07F 17/32
D21/392

2001/0013475 A1 8/2001 Holmes

2004/0045787 A1 3/2004 Zimmermann

2013/0081657 A1 * 4/2013 Hewitt B08B 3/12
134/25.1

2015/0122754 A1 * 5/2015 Jung G07D 9/002
211/49.1

FOREIGN PATENT DOCUMENTS

EP 0345976 12/1989

EP 0391234 10/1990

FR 362445 6/1906

FR 1253927 1/1961

GB 1373135 11/1974

* cited by examiner

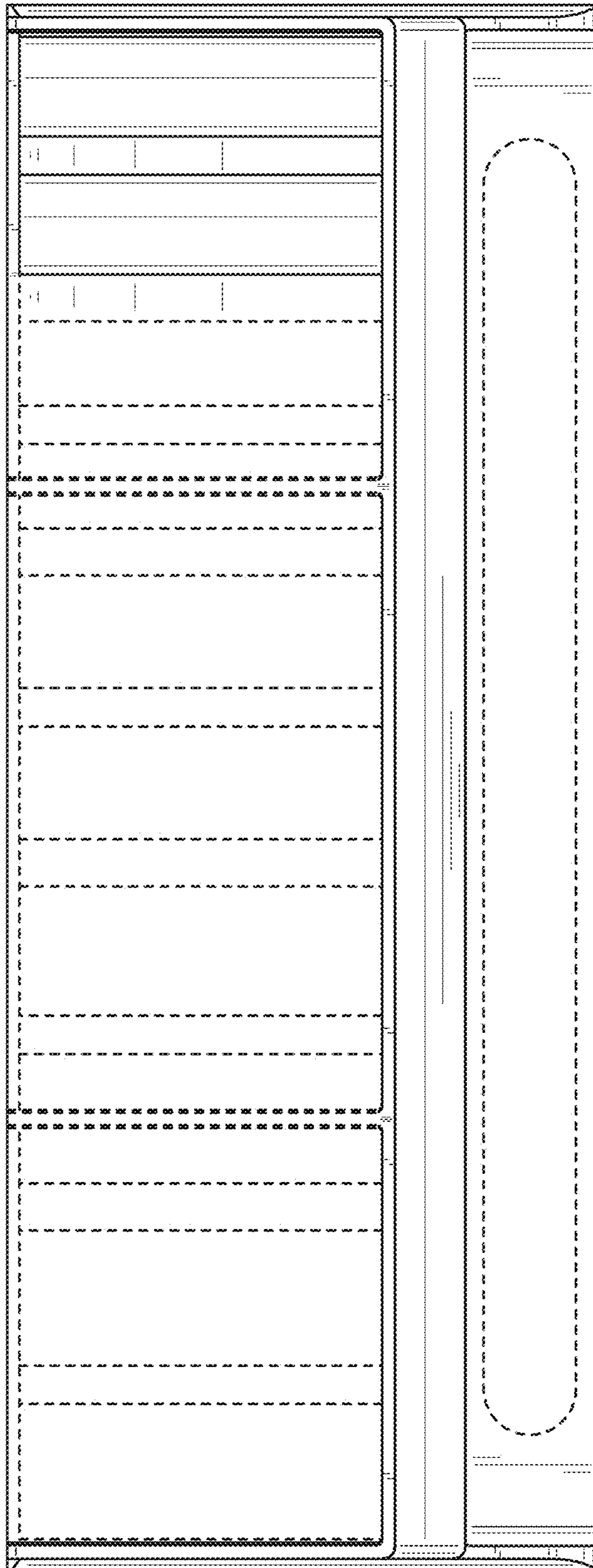


FIG. 2

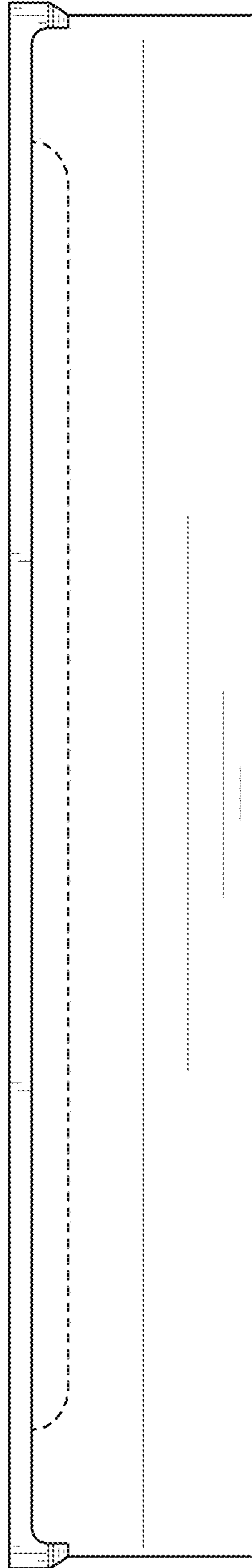


FIG. 3

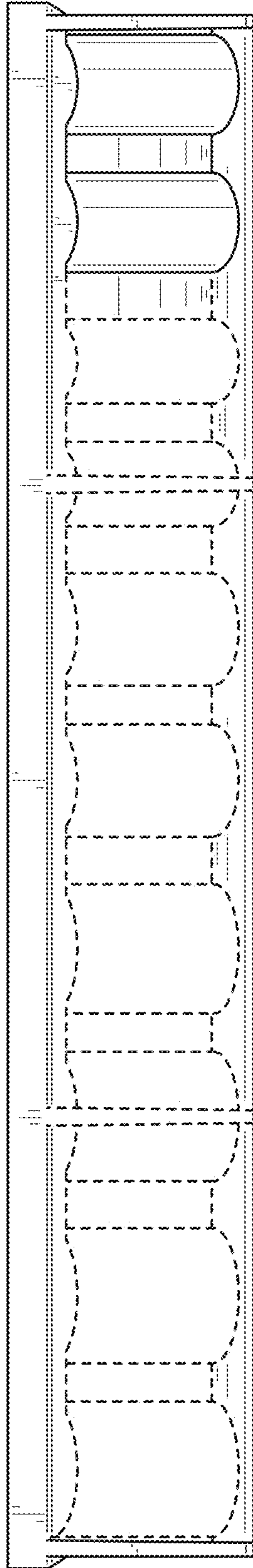


FIG. 4

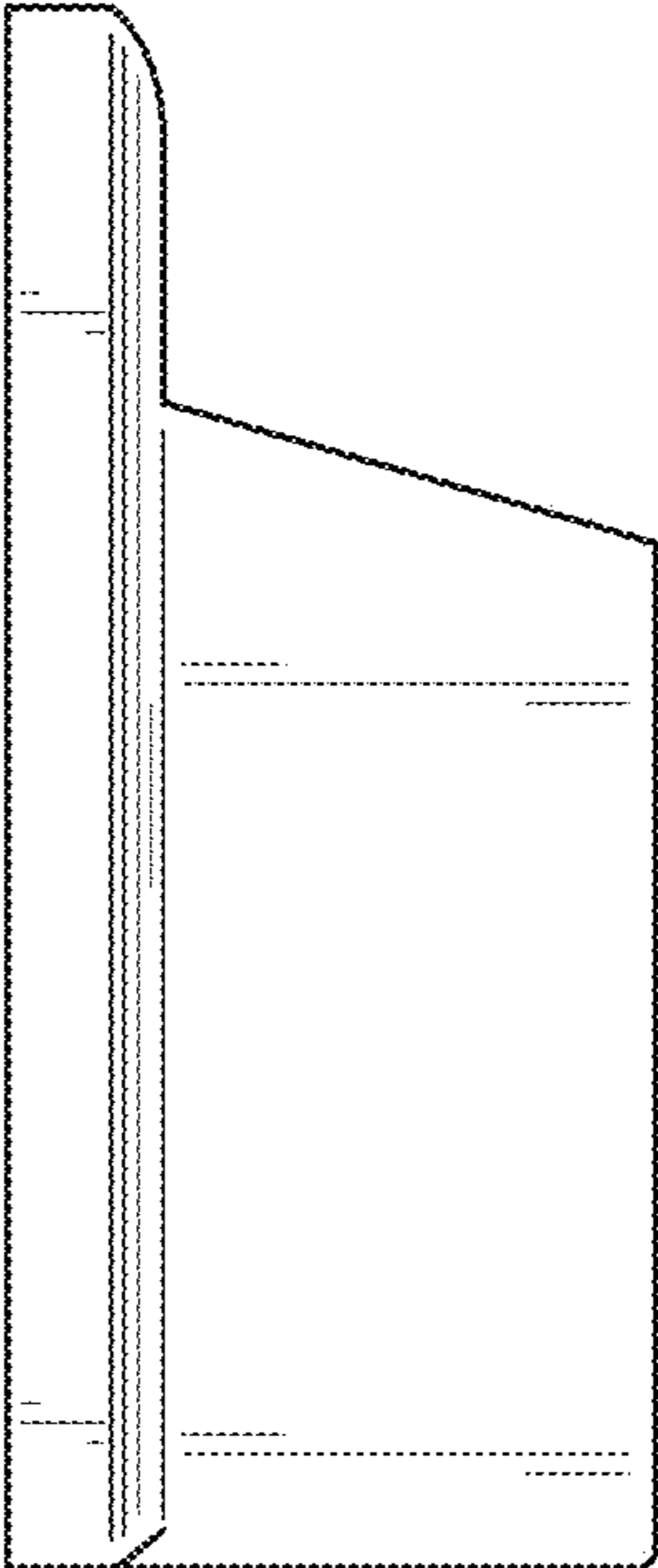


FIG. 5

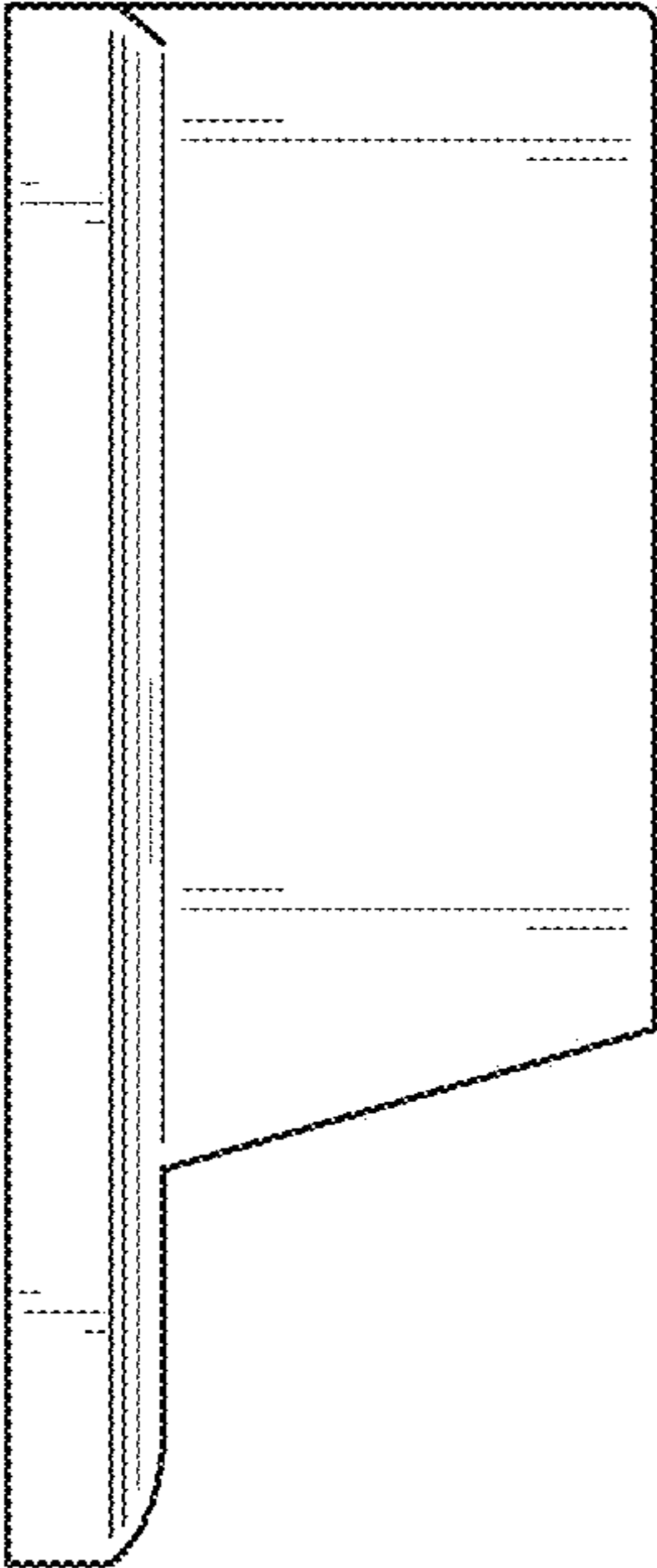


FIG. 6

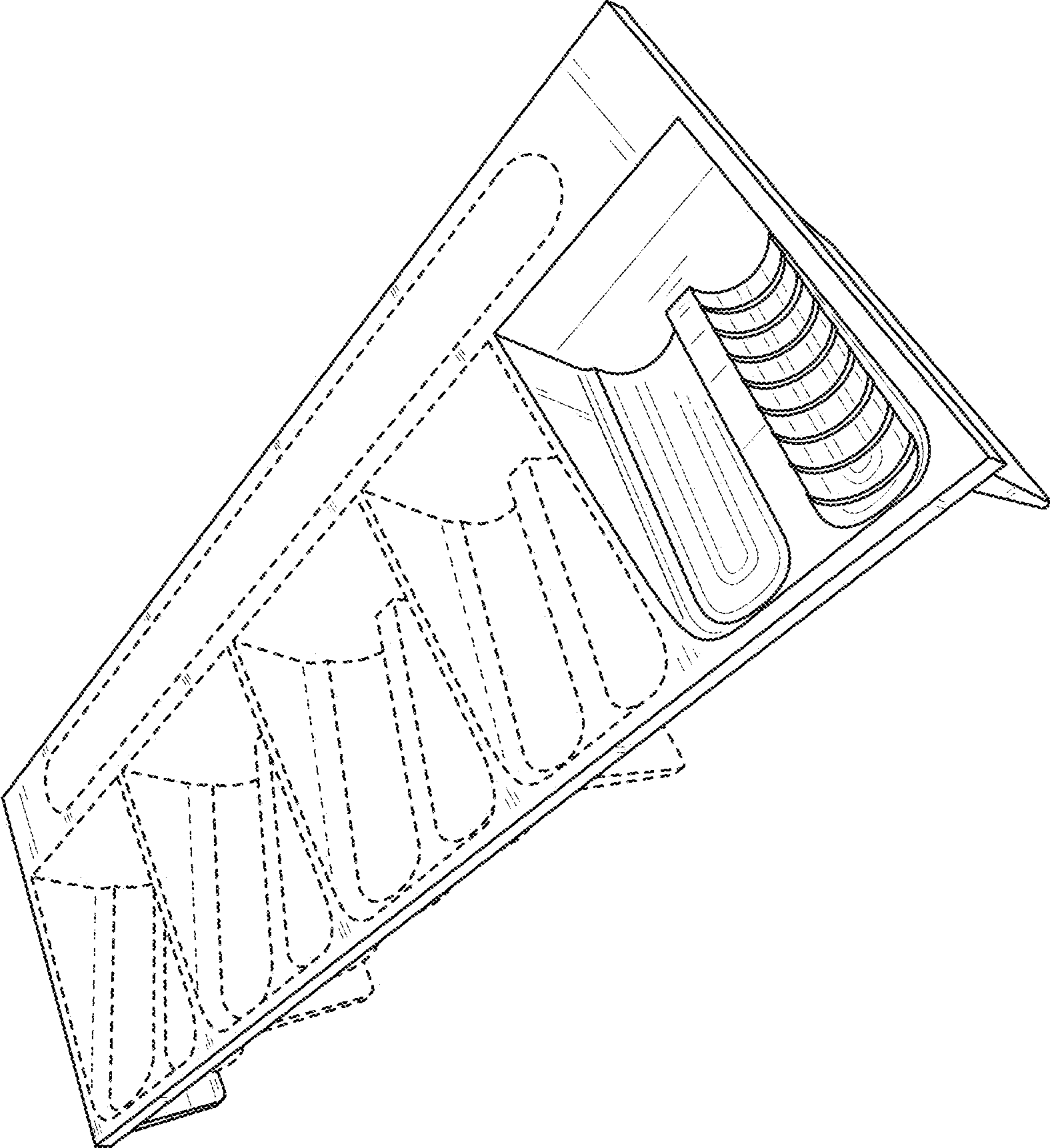


FIG. 7

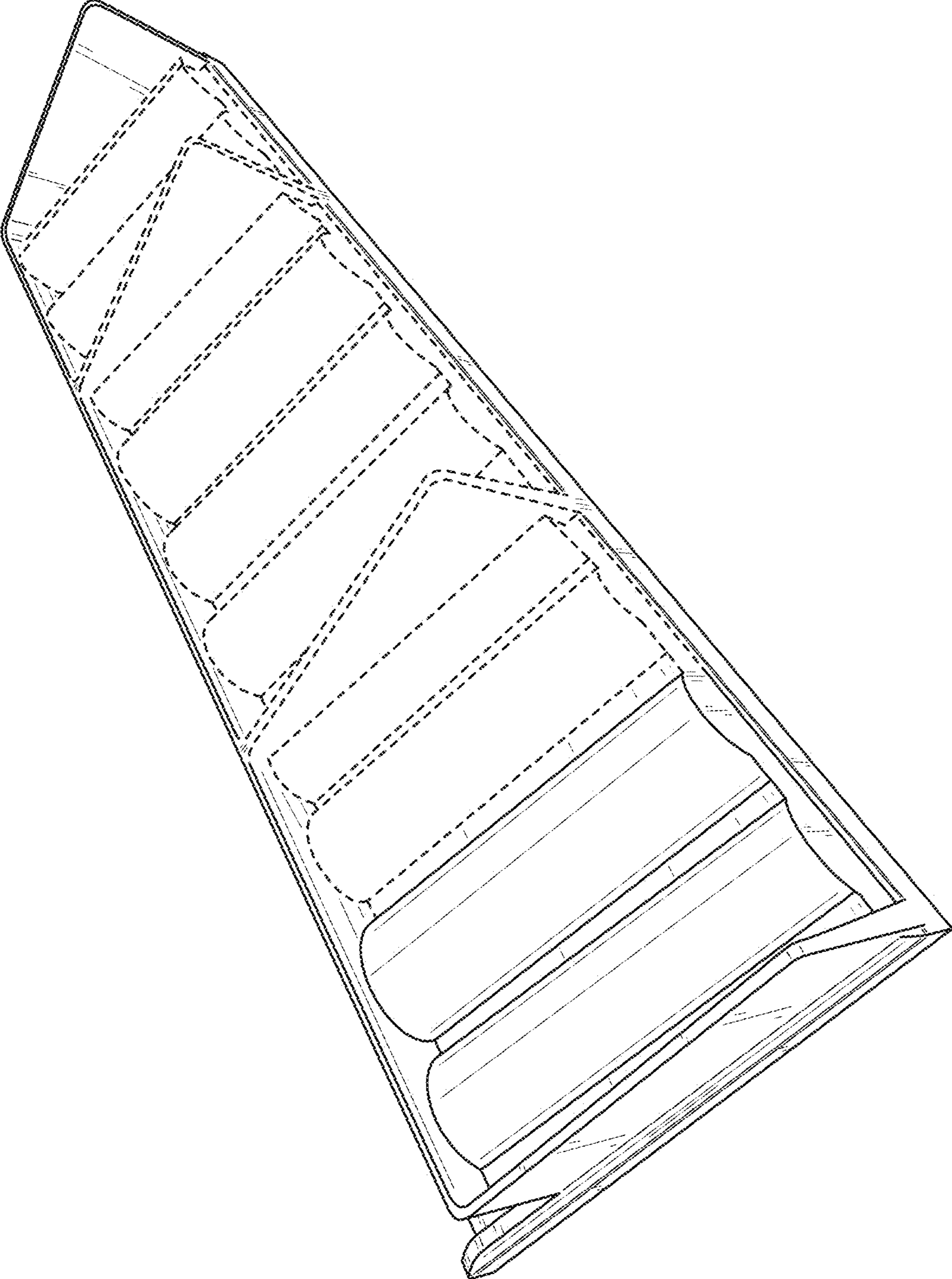


FIG. 8

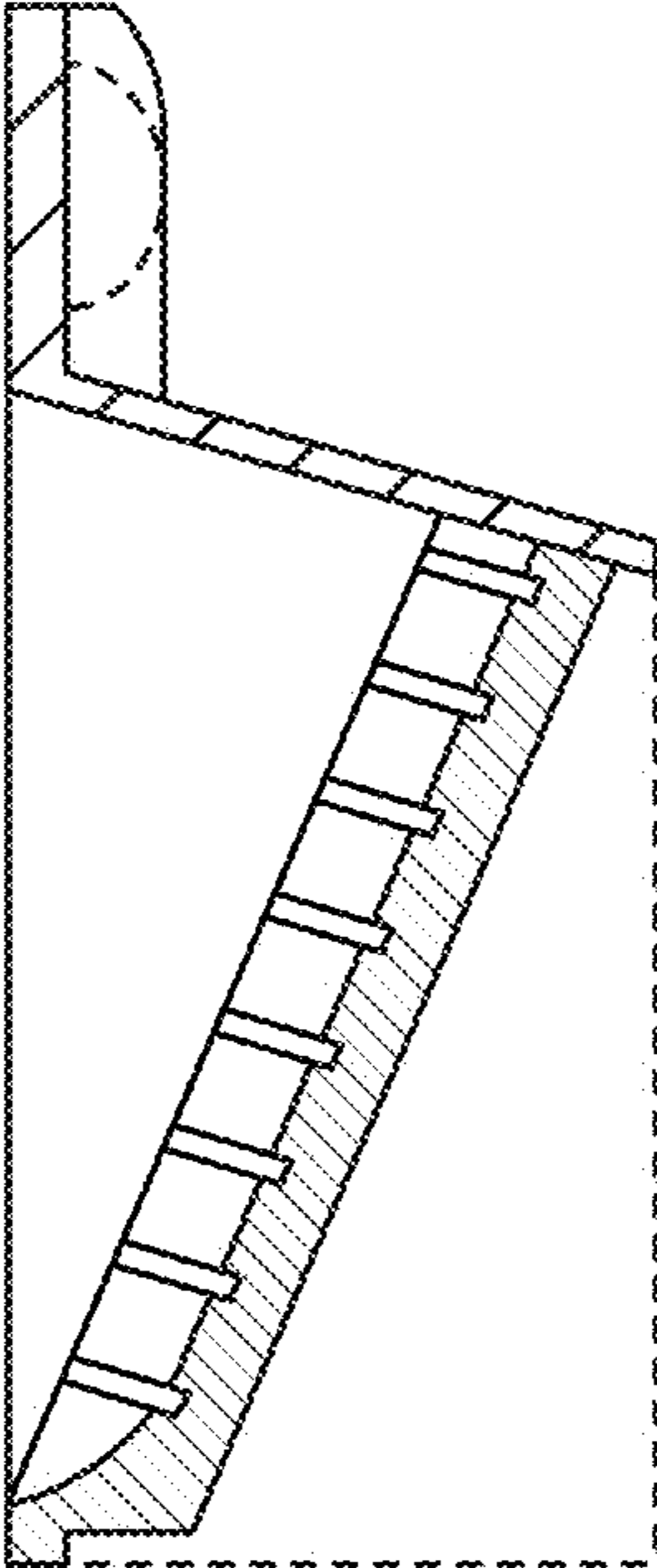


FIG. 9

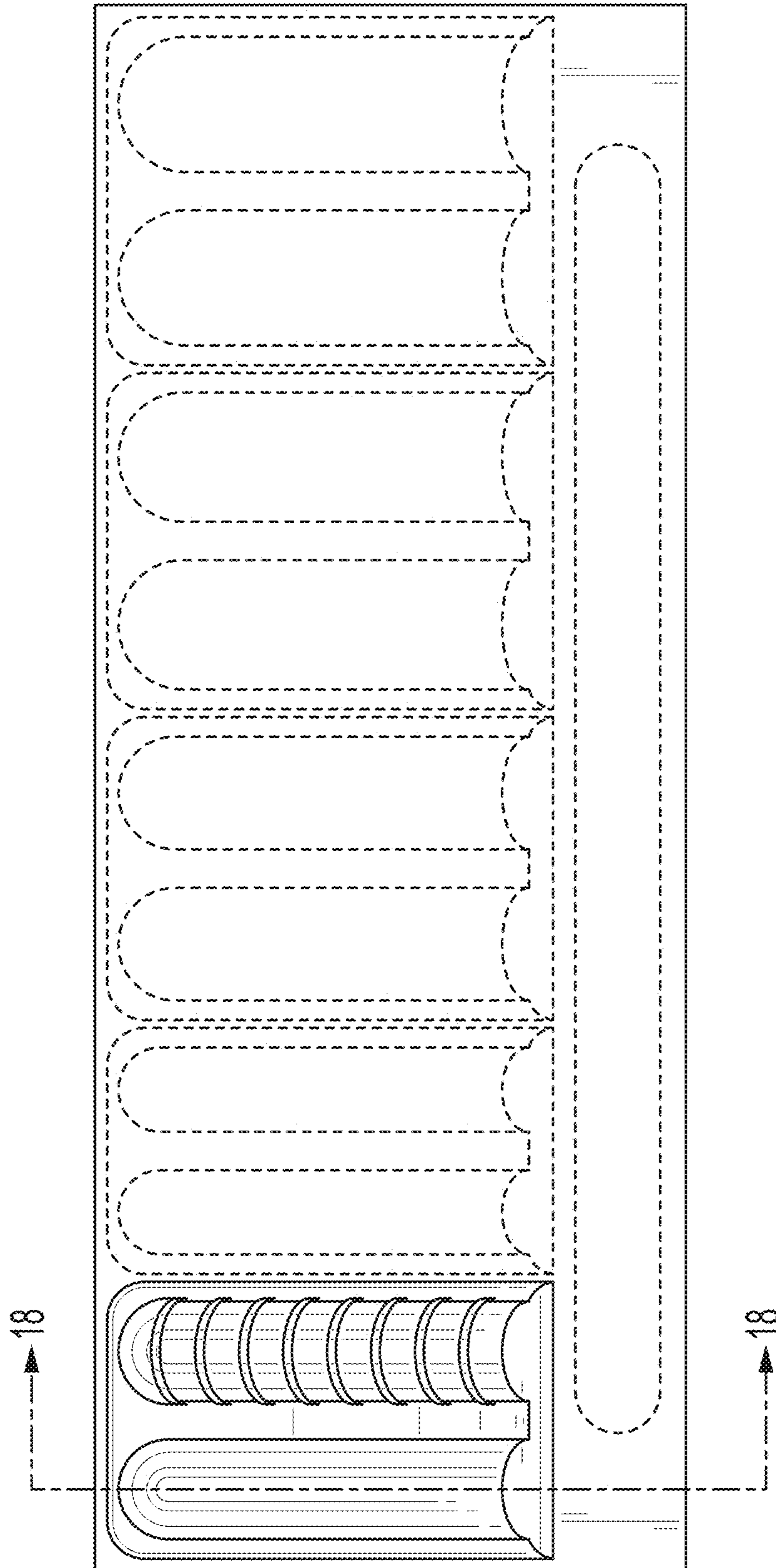


FIG. 10

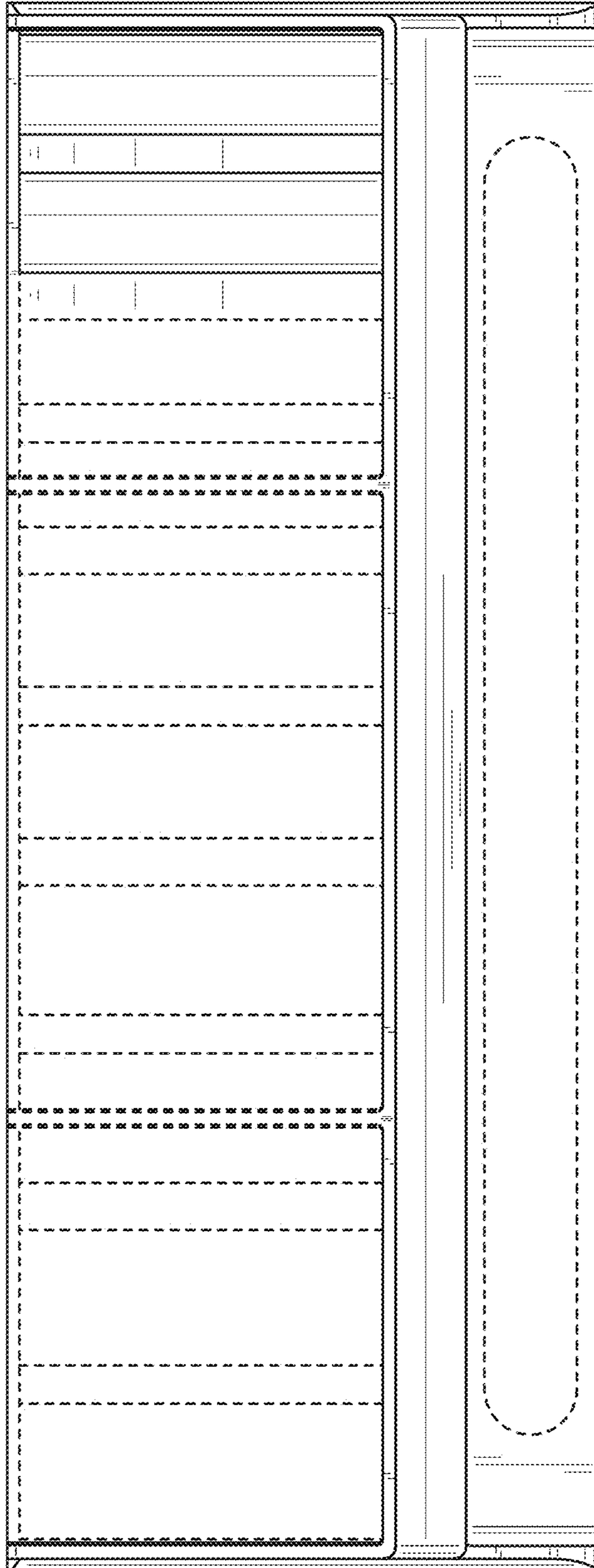


FIG.11

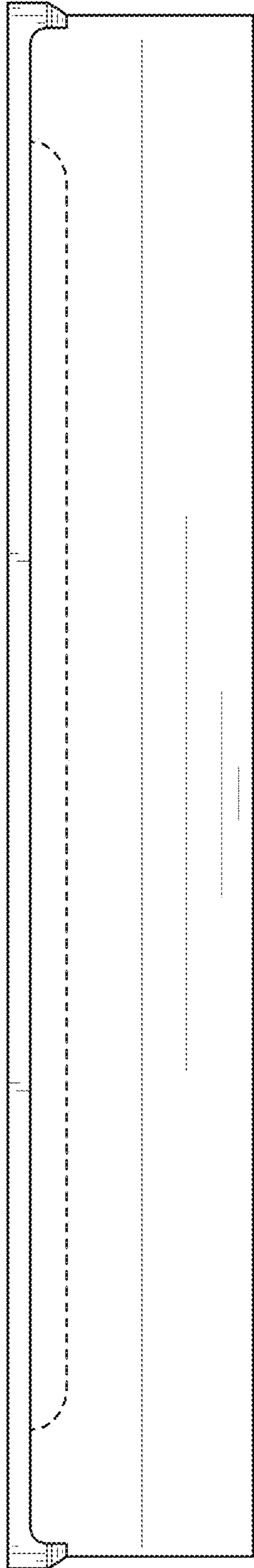


FIG. 12

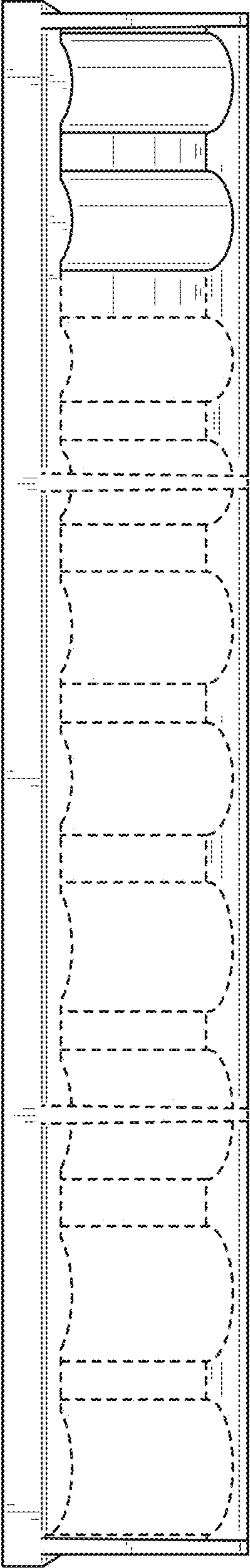


FIG. 13

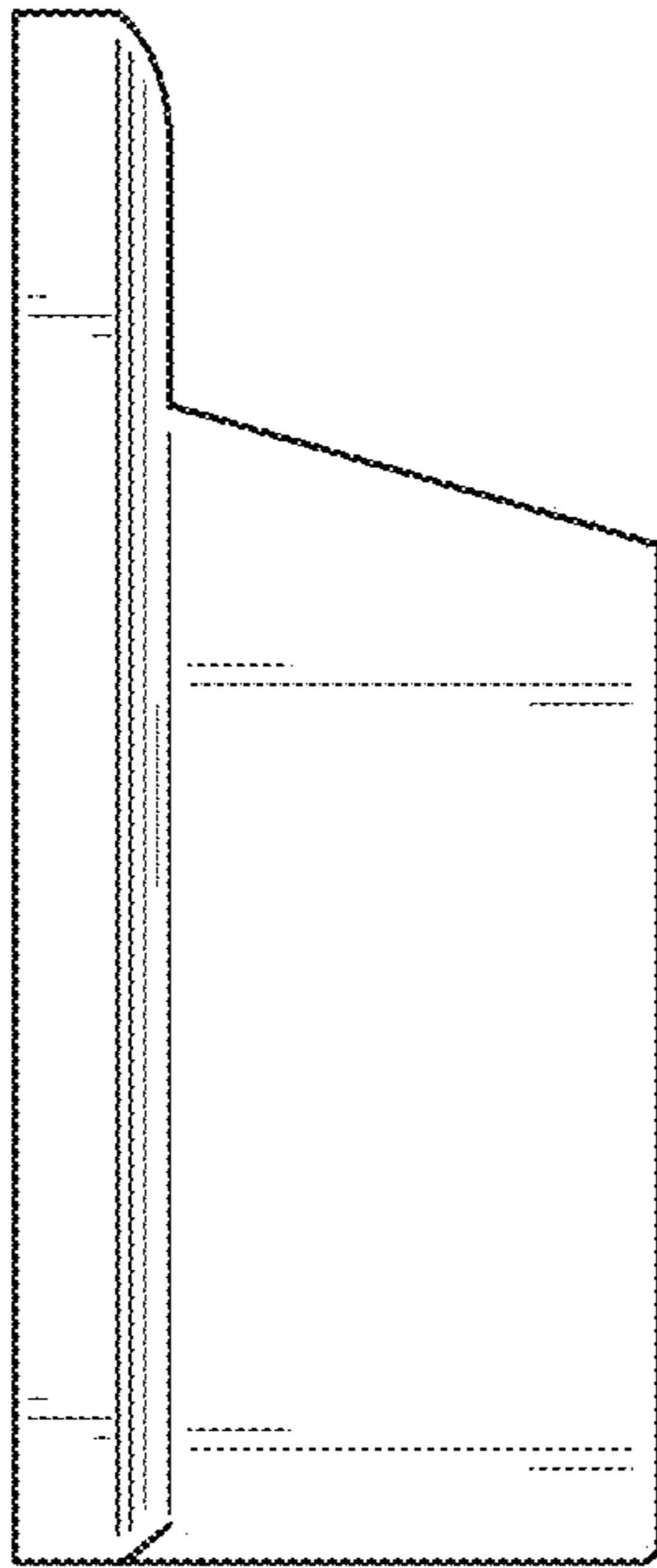


FIG. 15

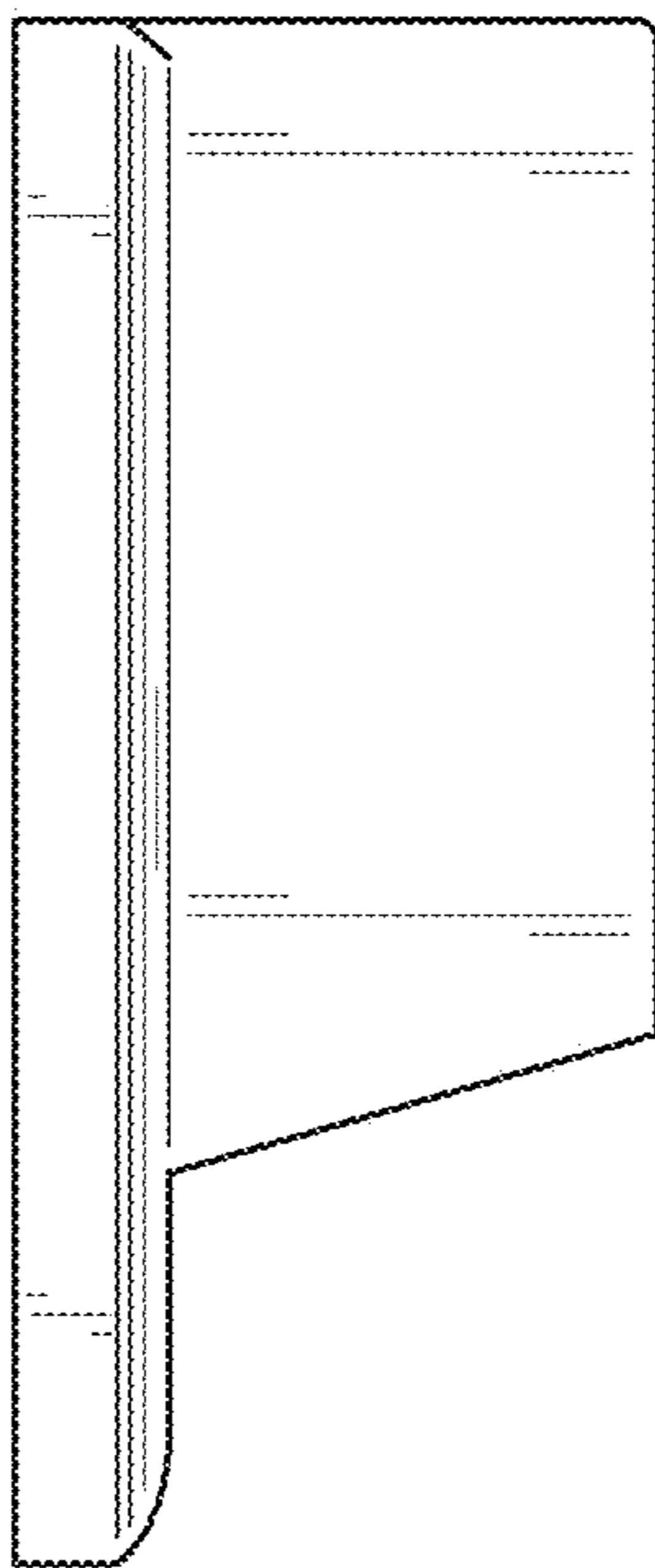


FIG. 14

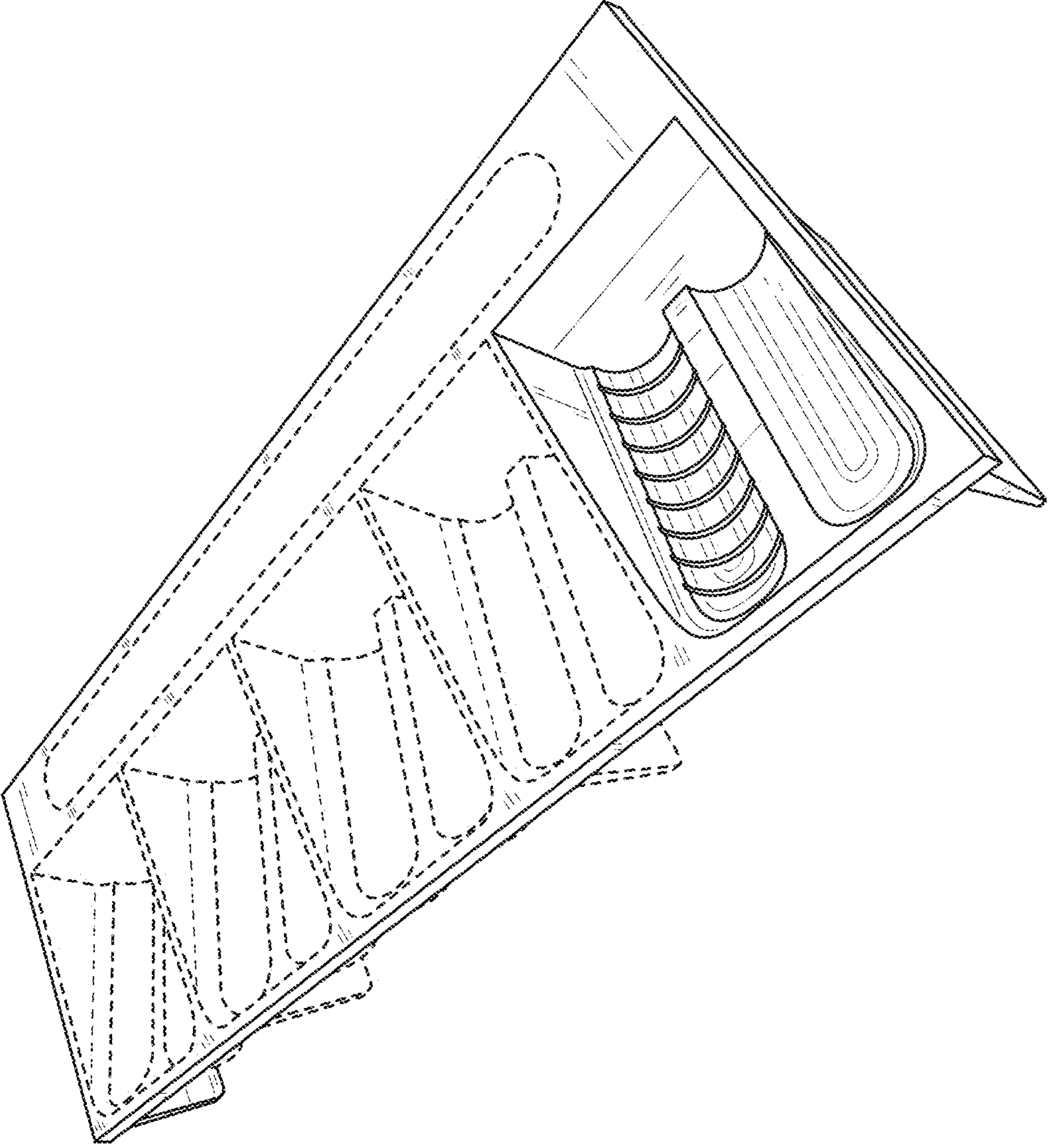


FIG. 16

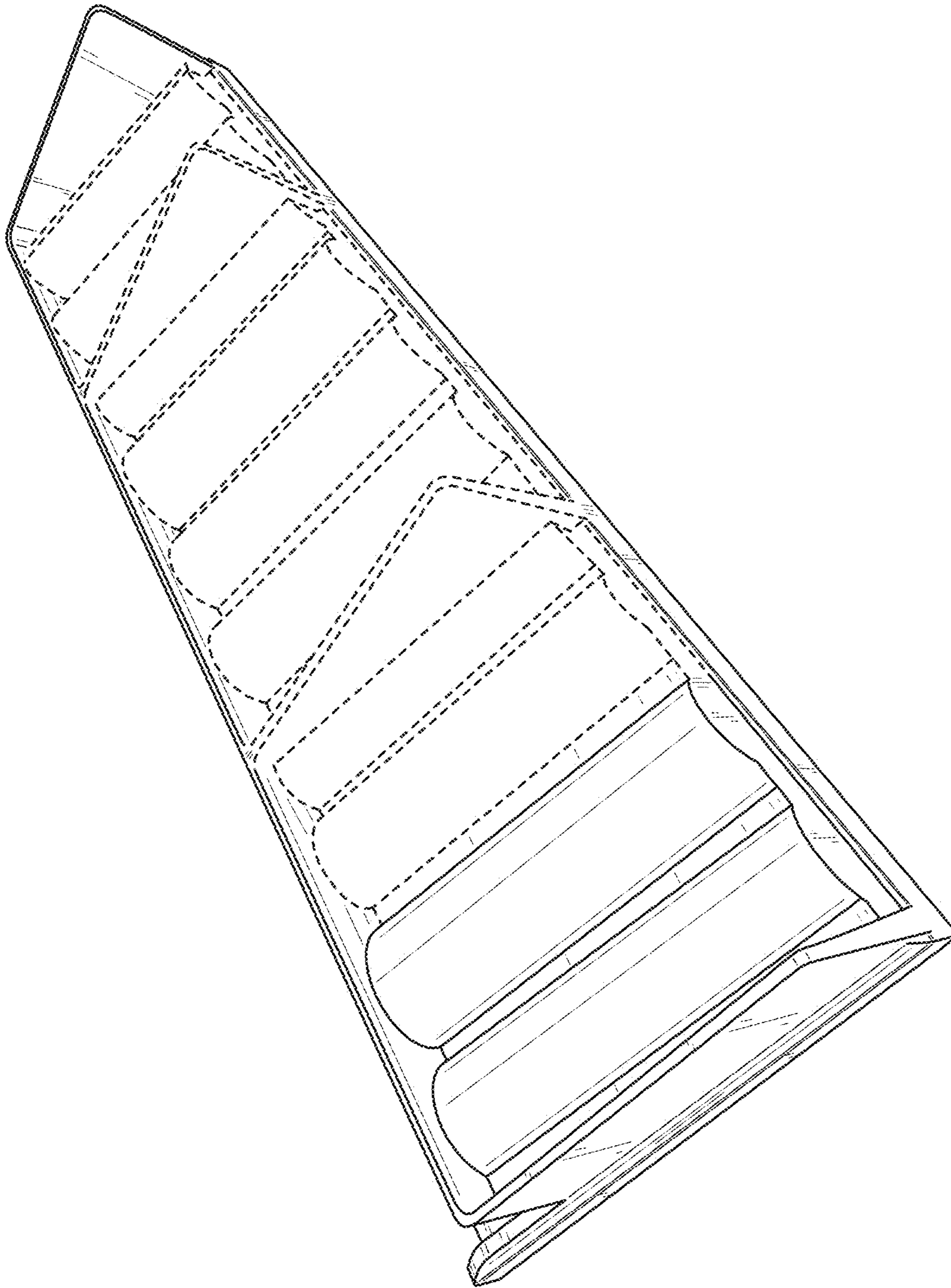


FIG.17

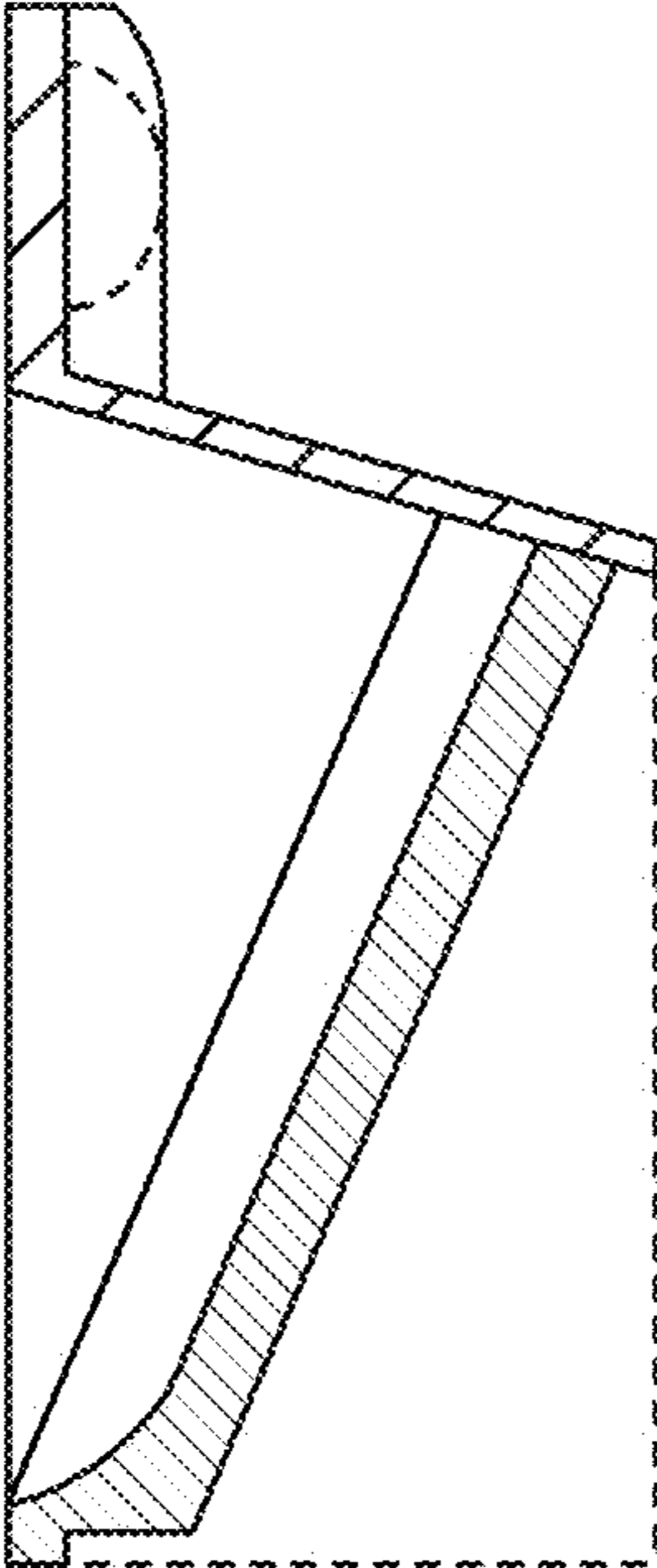


FIG. 18

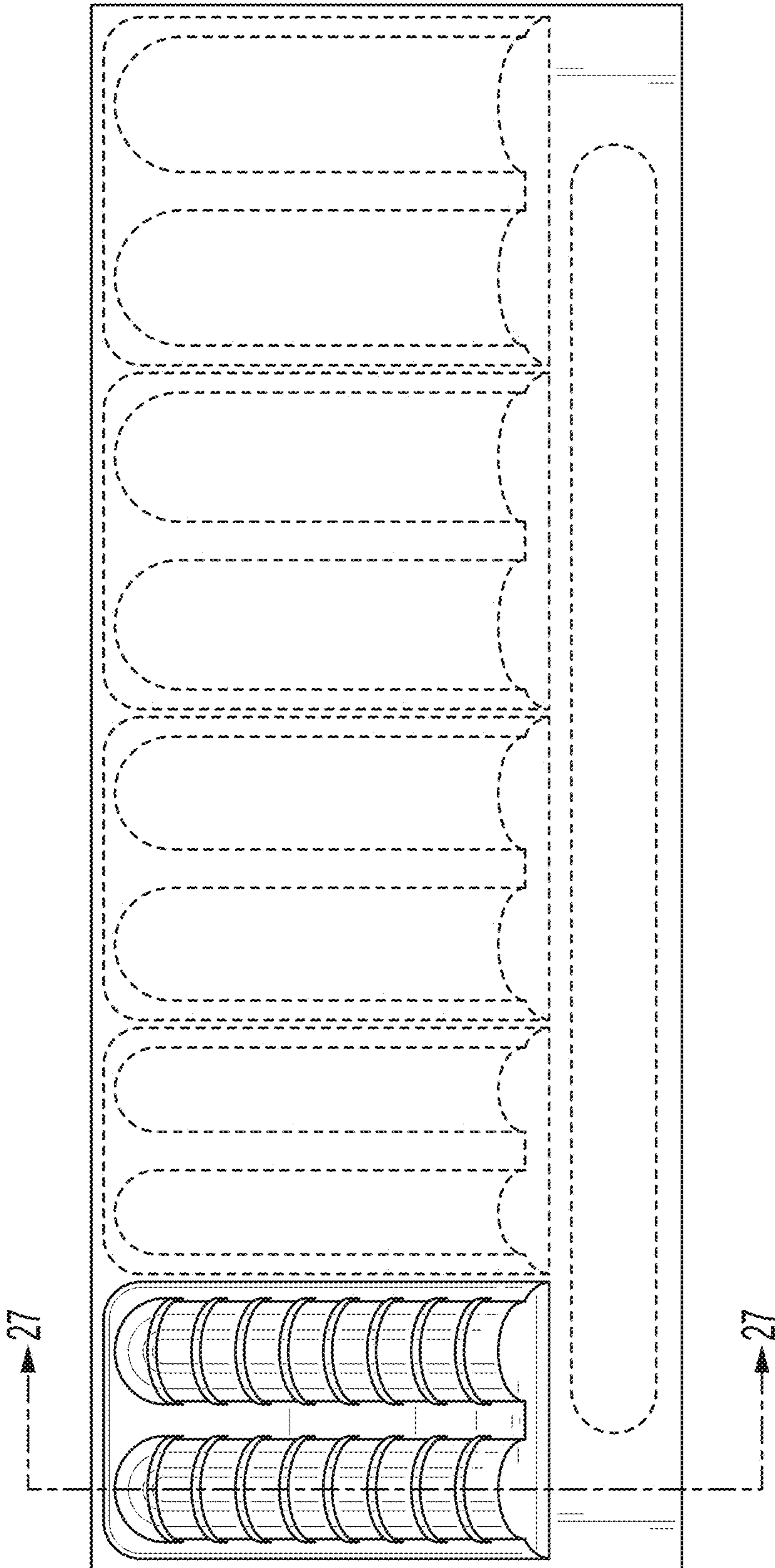


FIG. 19

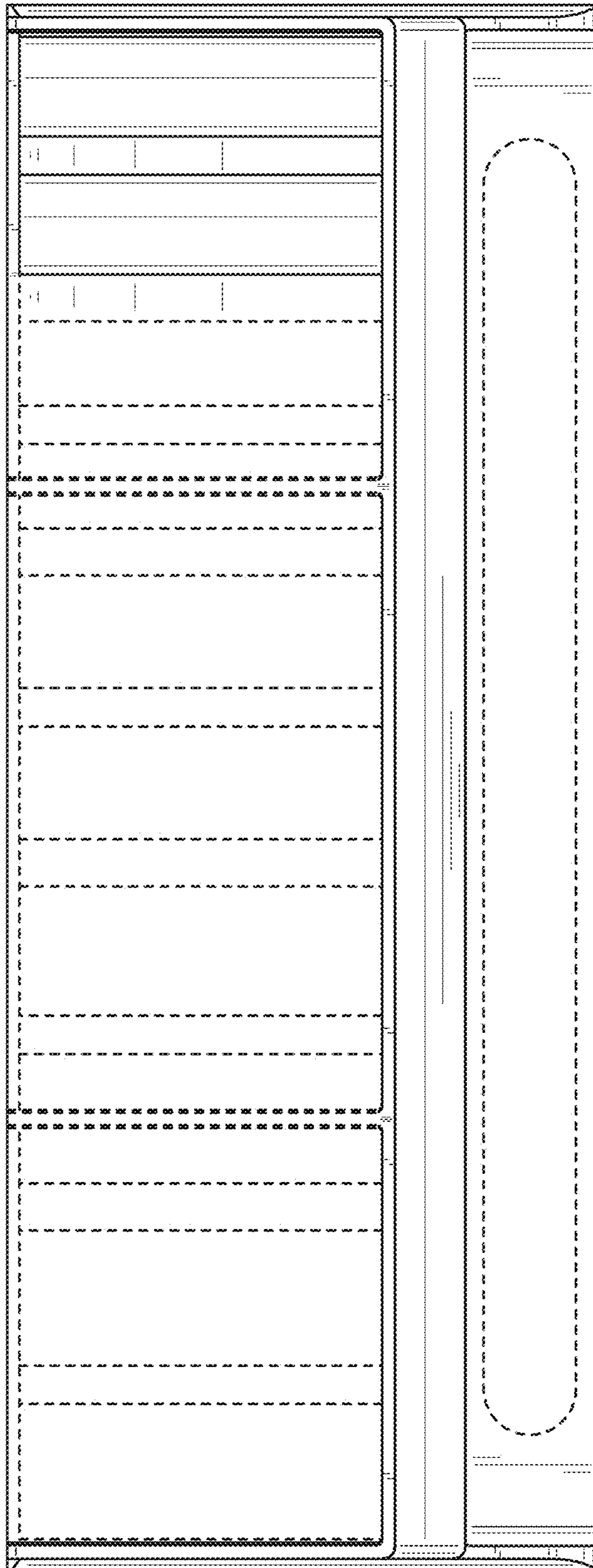


FIG. 20

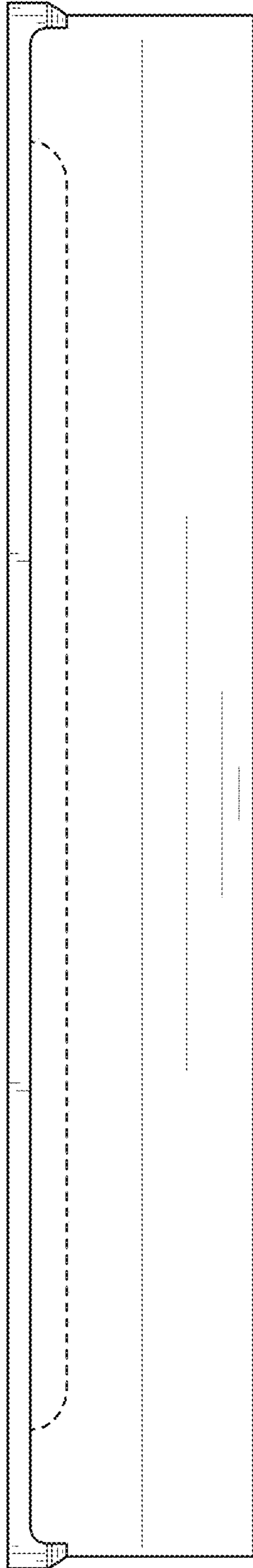


FIG. 21

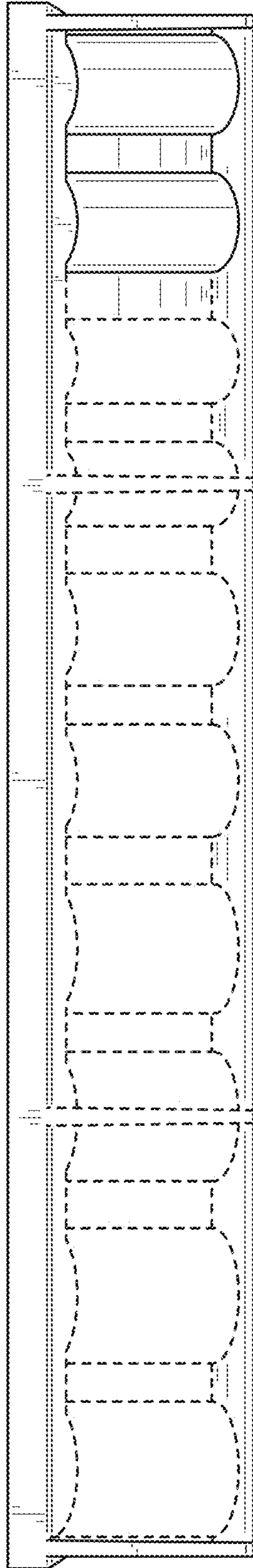


FIG. 22

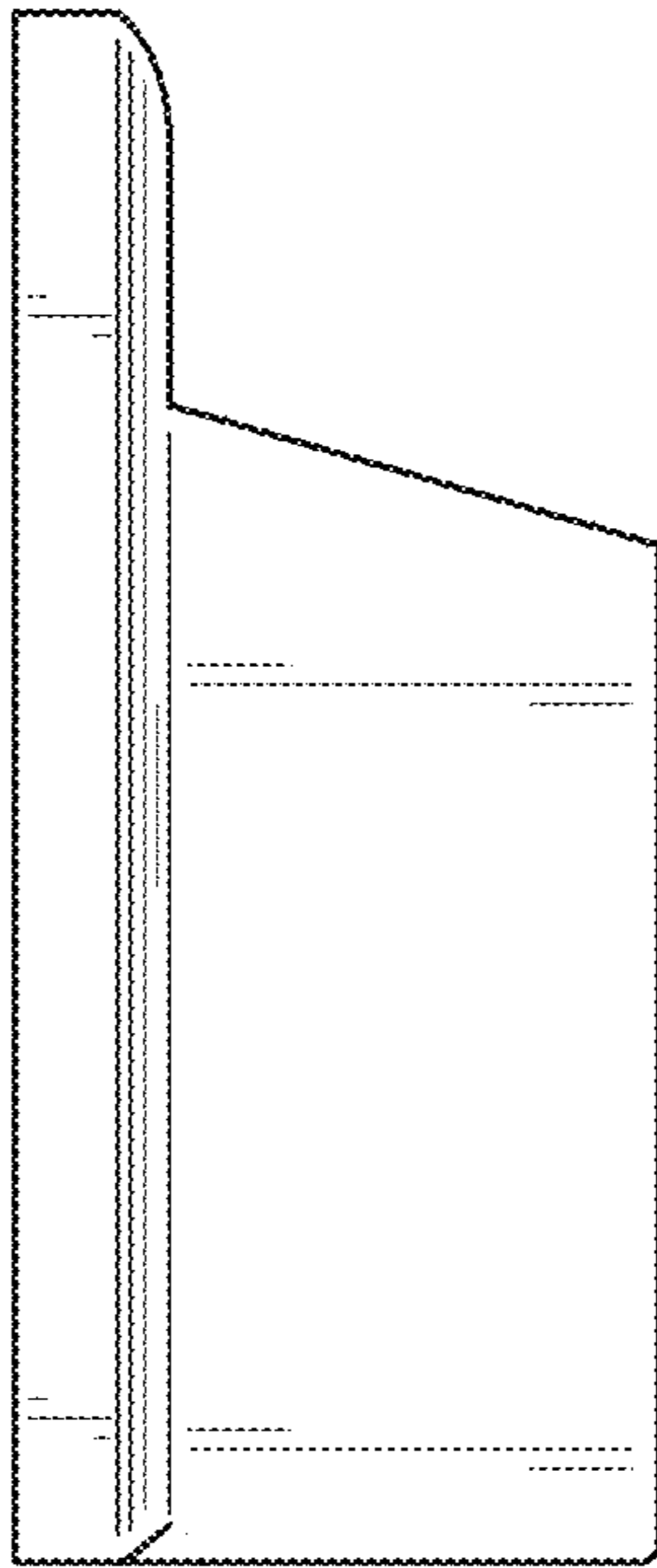


FIG. 24

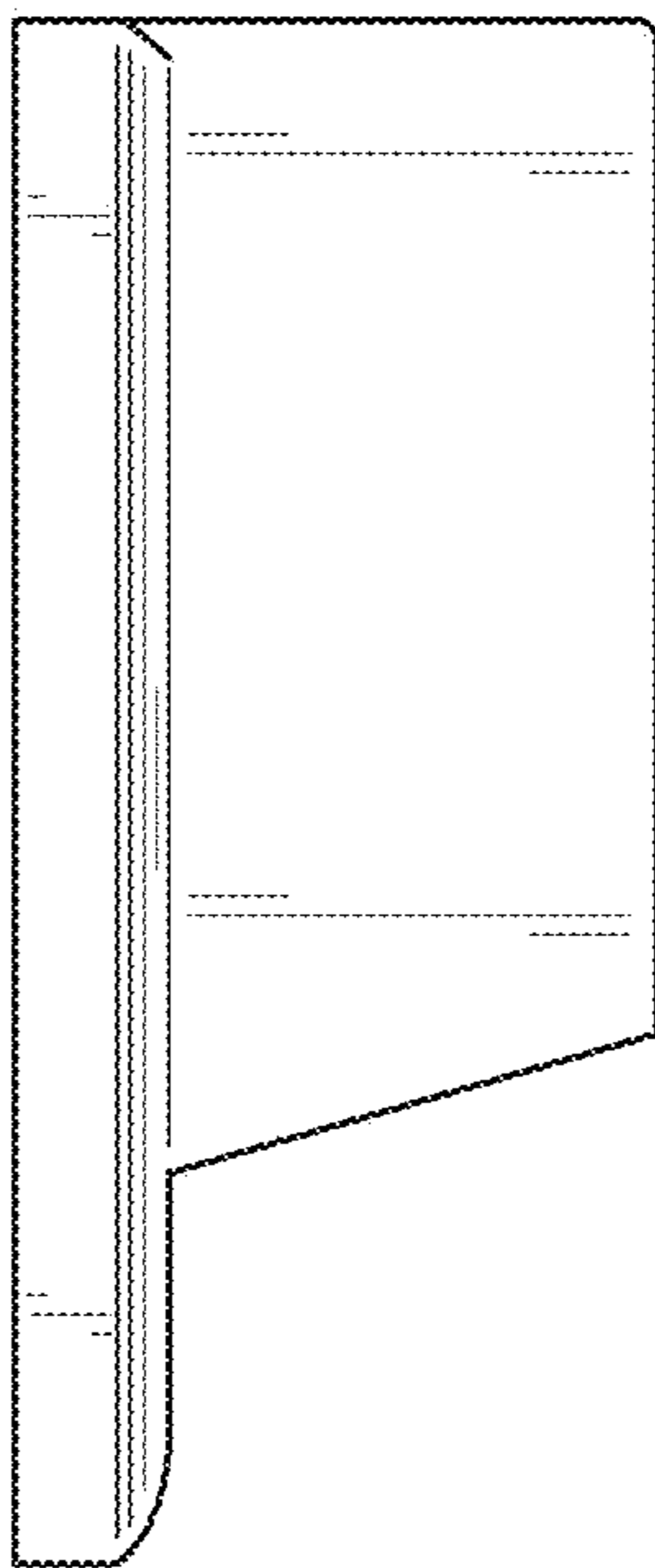


FIG. 23

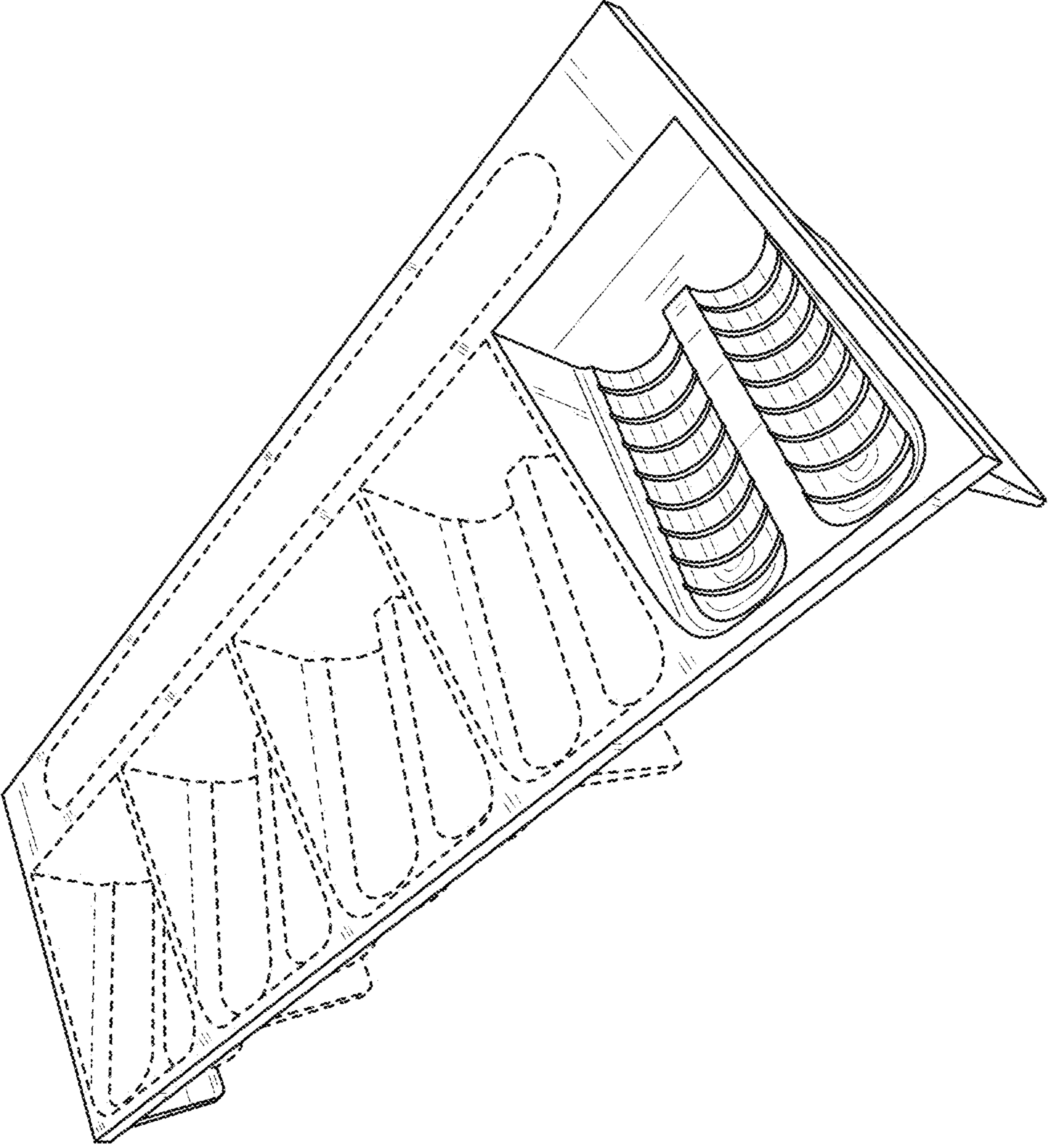


FIG. 25

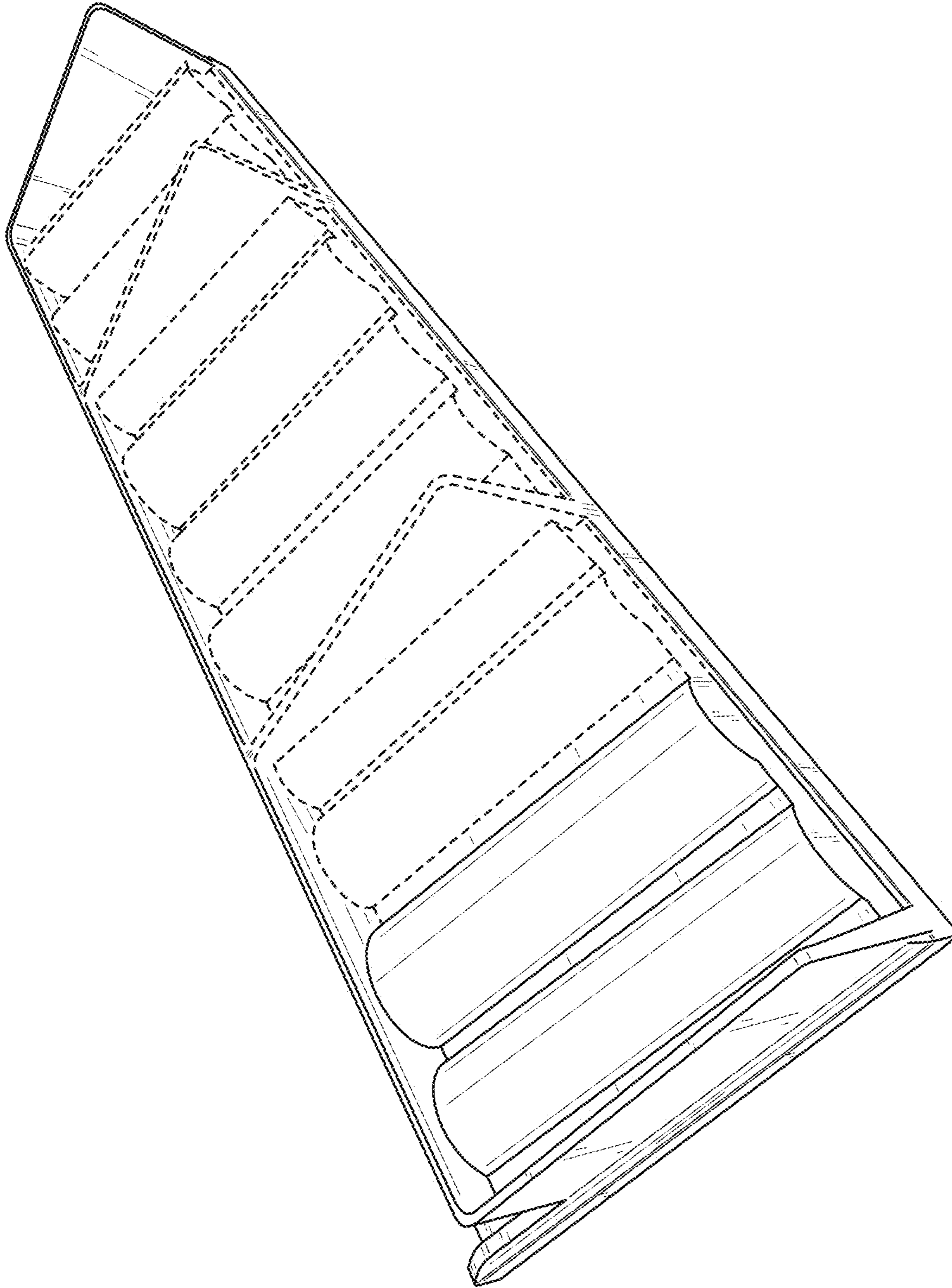


FIG.26

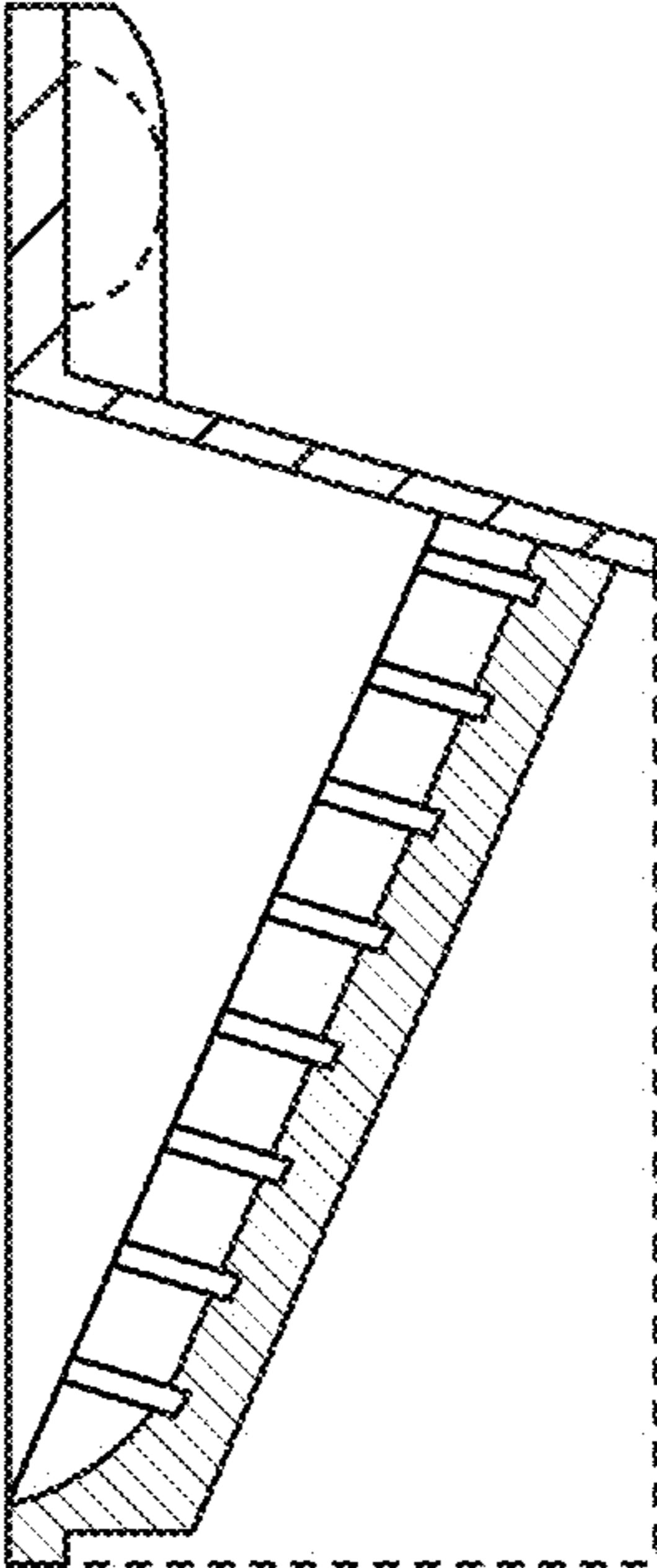


FIG. 27