



US00D886895S

(12) **United States Design Patent** (10) **Patent No.:** **US D886,895 S**
Faoro (45) **Date of Patent:** **** Jun. 9, 2020**

(54) **PEDALBOARD FOR A MUSICAL INSTRUMENT**
 (71) Applicant: **NEXI ENTERTAINMENT B.V.**,
 Alphen aan den Rijn (NL)
 (72) Inventor: **Franziska Faoro**, Deventer (NL)
 (73) Assignee: **NEXI ENTERTAINMENT B.V.**,
 Alphen aan den Rijn (NL)

D453,327 S * 2/2002 Takita D14/217
 D503,173 S 3/2005 Hussaini et al.
 D520,553 S 5/2006 Bogdan et al.
 D561,241 S 2/2008 Ridinger
 D782,567 S * 3/2017 Faoro D17/20
 2011/0303077 A1* 12/2011 Vinciguerra G10H 1/0091
 84/746
 2016/0258574 A1* 9/2016 Abbate G10H 1/32

(**) Term: **15 Years**
 (21) Appl. No.: **29/630,952**
 (22) Filed: **Dec. 25, 2017**
 (30) **Foreign Application Priority Data**

FOREIGN PATENT DOCUMENTS

CN 201630086285 * 3/2016

* cited by examiner

Primary Examiner — Sheryl Lane
Assistant Examiner — Samantha N Wood
 (74) *Attorney, Agent, or Firm* — Craft Chu PLLC;
 Andrew W. Chu

Jun. 27, 2017 (DE) 40 2017 100 773
 (51) **LOC (12) Cl.** **17-99**
 (52) **U.S. Cl.**
 USPC **D17/99**; D17/20
 (58) **Field of Classification Search**
 USPC D17/20, 21, 99, 24, 9; D13/158, 162,
 D13/167, 160, 162.1, 163, 164, 184, 199;
 D14/217, 259, 238.1, 203.1, 168, 154,
 D14/496
 CPC G10H 2210/231; G10H 2210/265; G10H
 2220/071; G10H 2220/265; G10H 1/02;
 G10H 1/04; G10H 1/348; G10H 1/0091;
 G10H 3/06
 See application file for complete search history.

(57) **CLAIM**

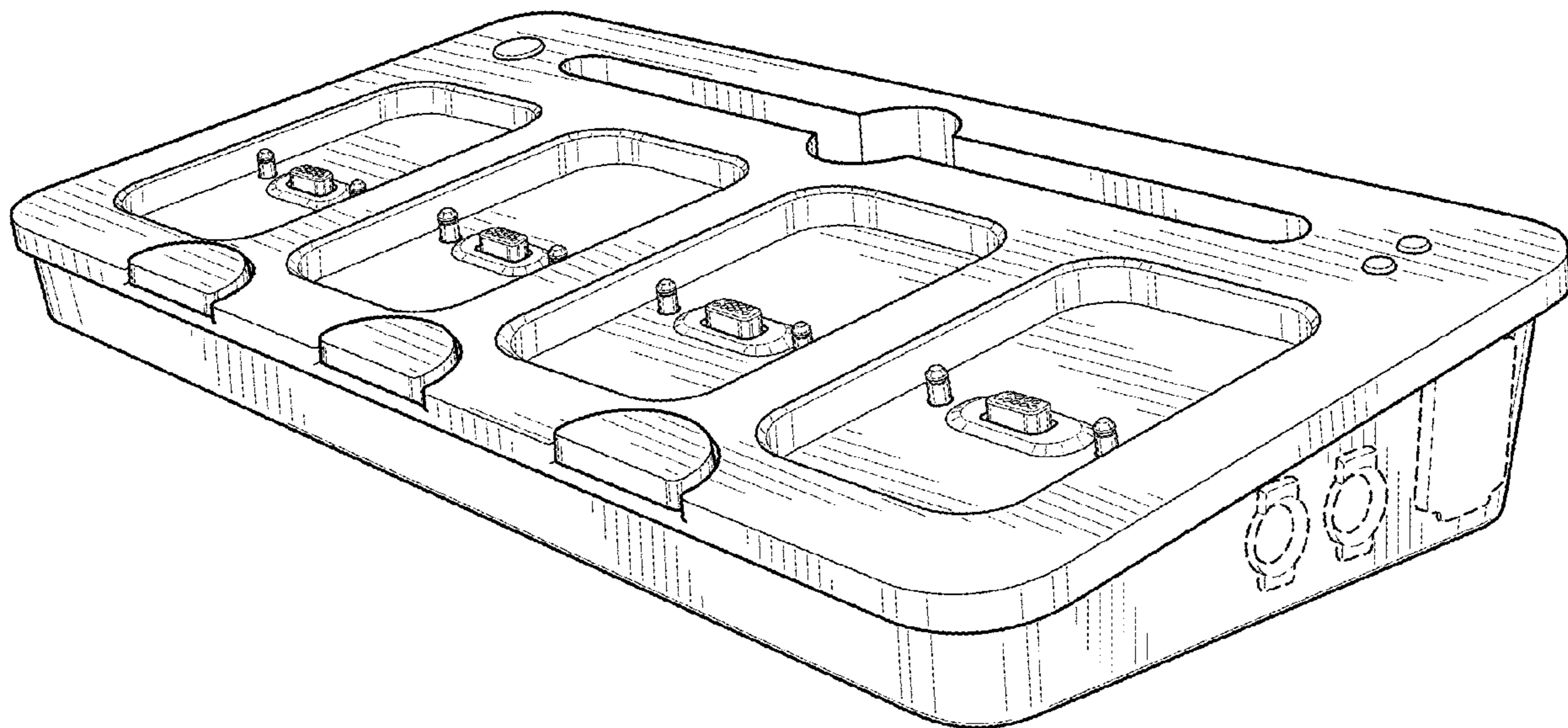
The ornamental design for a pedalboard for a musical instrument, as shown and described.

DESCRIPTION

FIG. 1 is a front perspective view of the pedalboard for a musical instrument showing my design.
 FIG. 2 is a front elevation view thereof;
 FIG. 3 is a back elevation view thereof;
 FIG. 4 is a side elevation view thereof;
 FIG. 5 is a side elevation view thereof opposite of FIG. 4;
 FIG. 6 is a top plan view thereof; and,
 FIG. 7 is an upper perspective view shown in an exemplary environment.
 A bottom plan view is not shown. There is no claim to features on the bottom of the pedal.
 The broken lines showing portions of the pedalboard are included for the purpose of illustrating the environmental structure and form no part of the claimed design.

(56) **References Cited**
U.S. PATENT DOCUMENTS
 D417,669 S * 12/1999 Ito D14/217
 D434,407 S * 11/2000 Mackie D14/217
 D435,250 S * 12/2000 Mackie D14/217

1 Claim, 3 Drawing Sheets



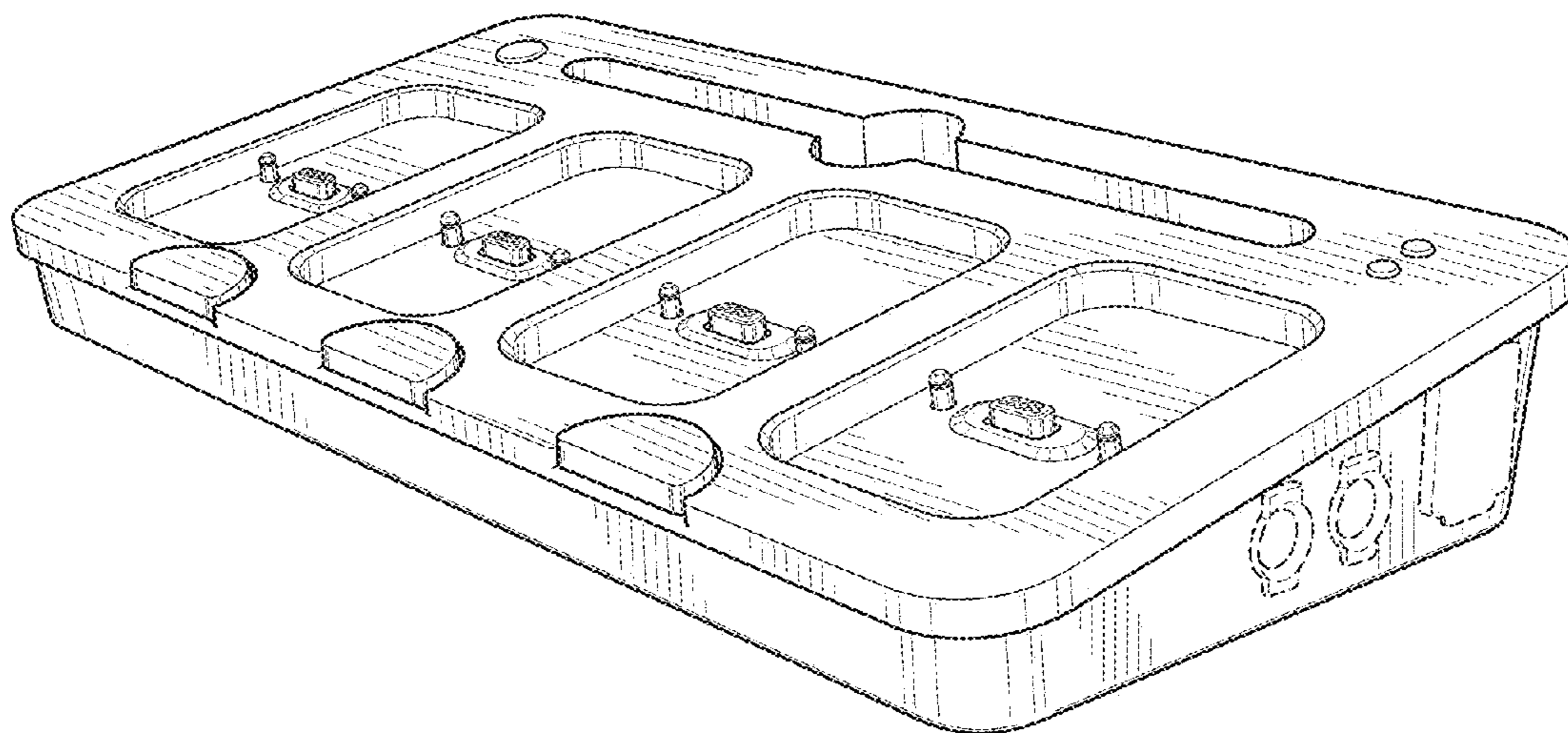


FIG. 1

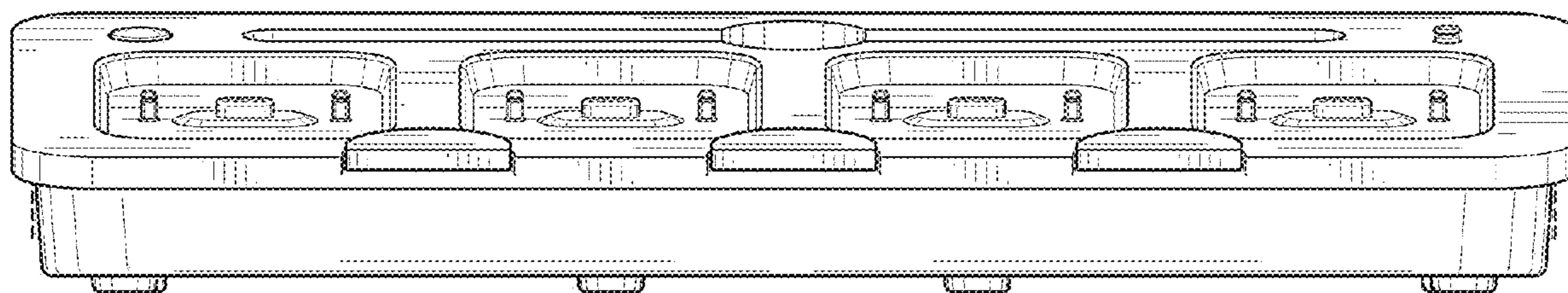


FIG. 2

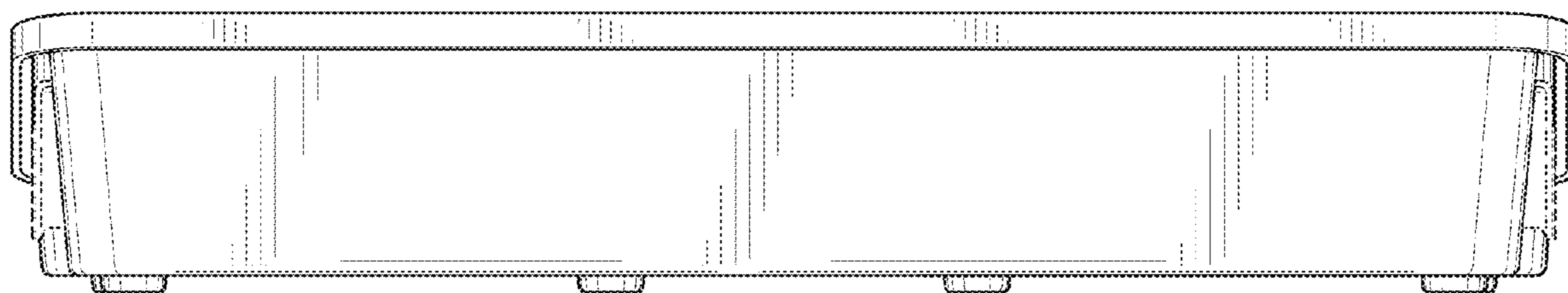


FIG. 3

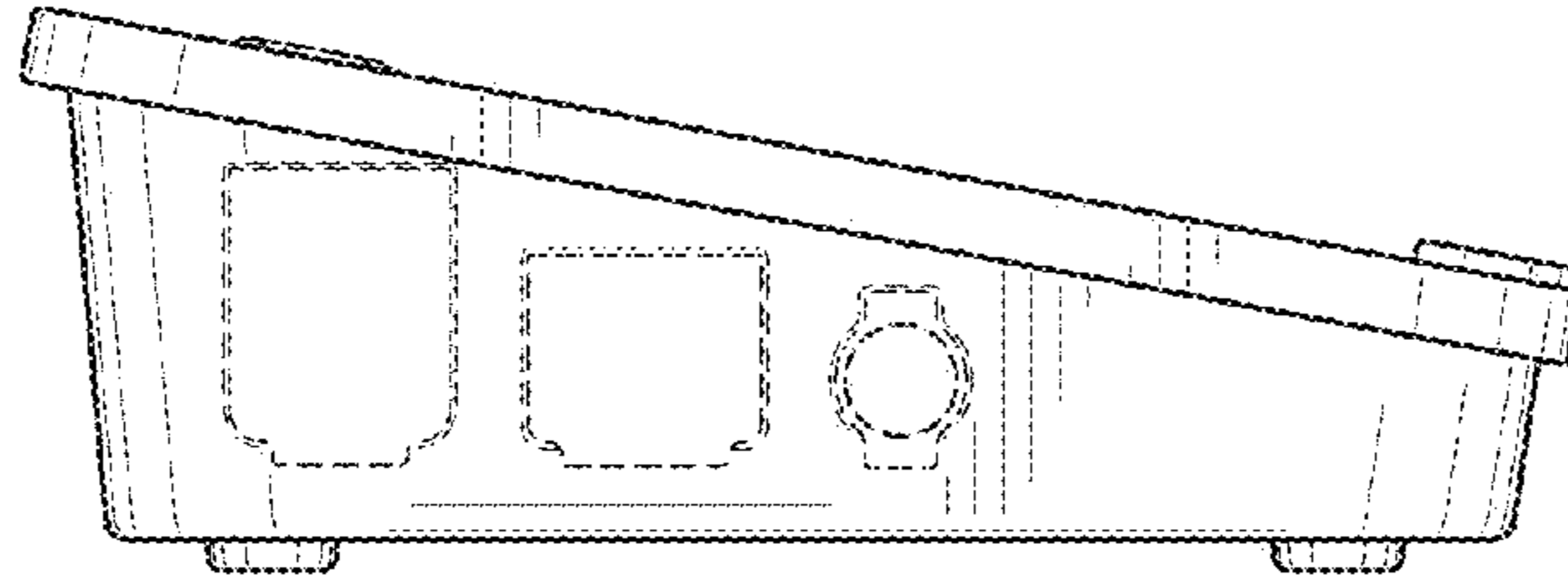


FIG. 4

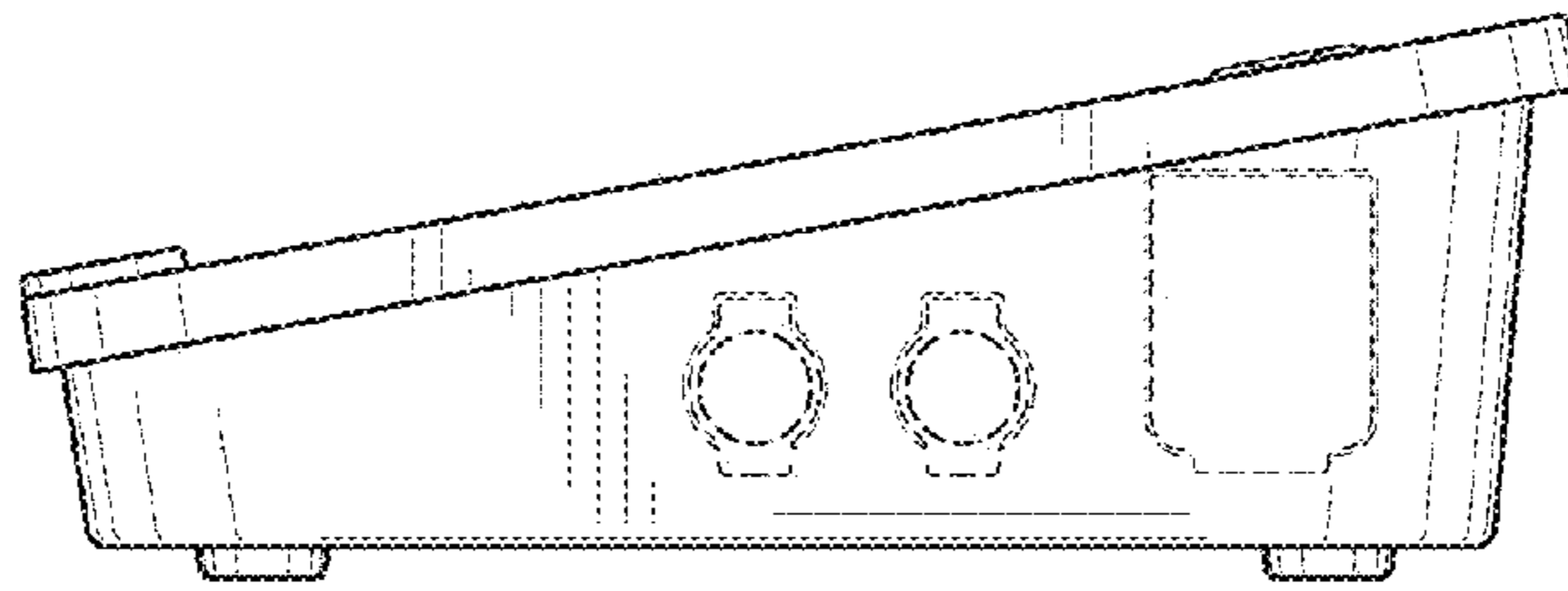


FIG. 5

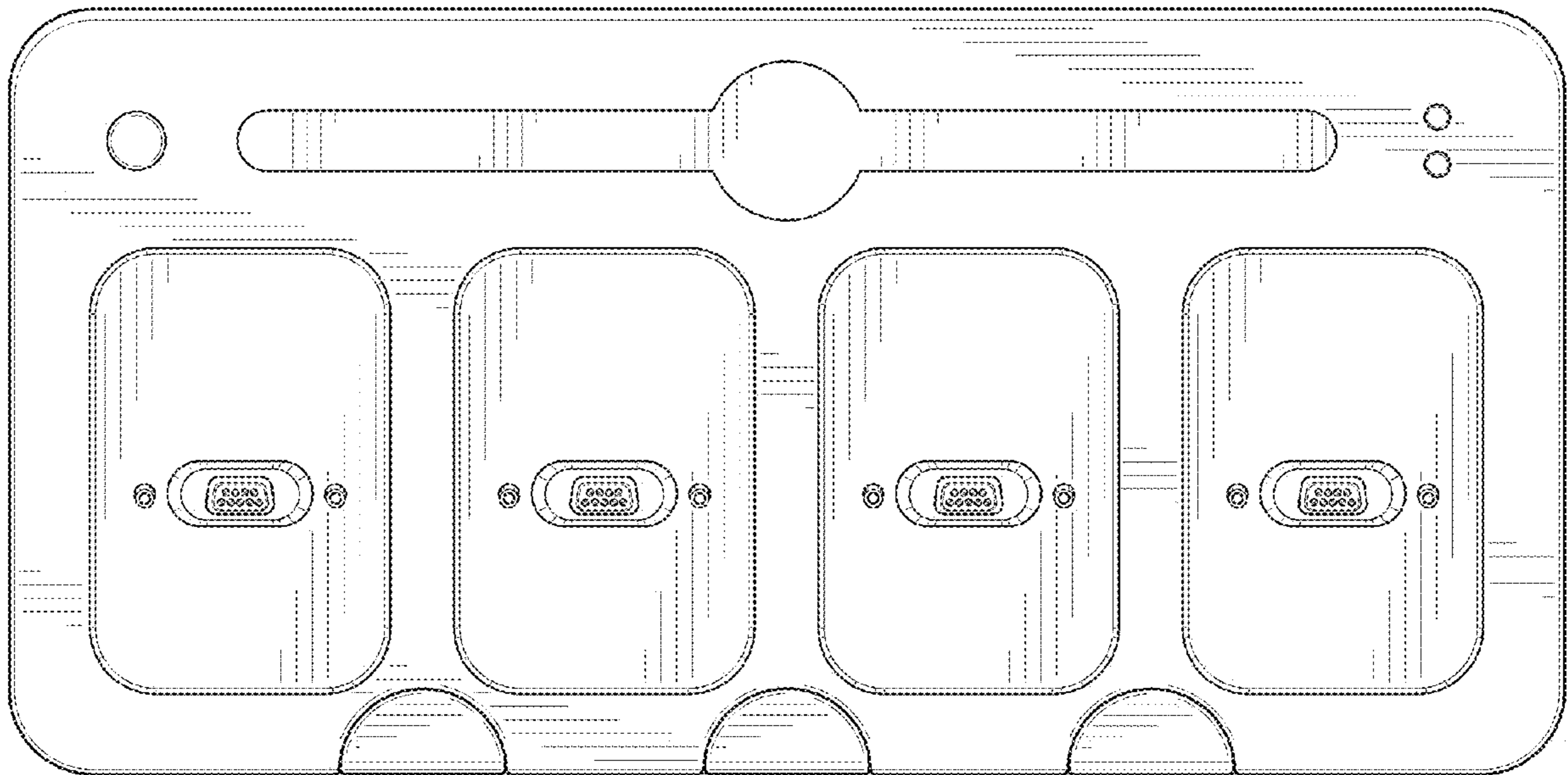


FIG. 6

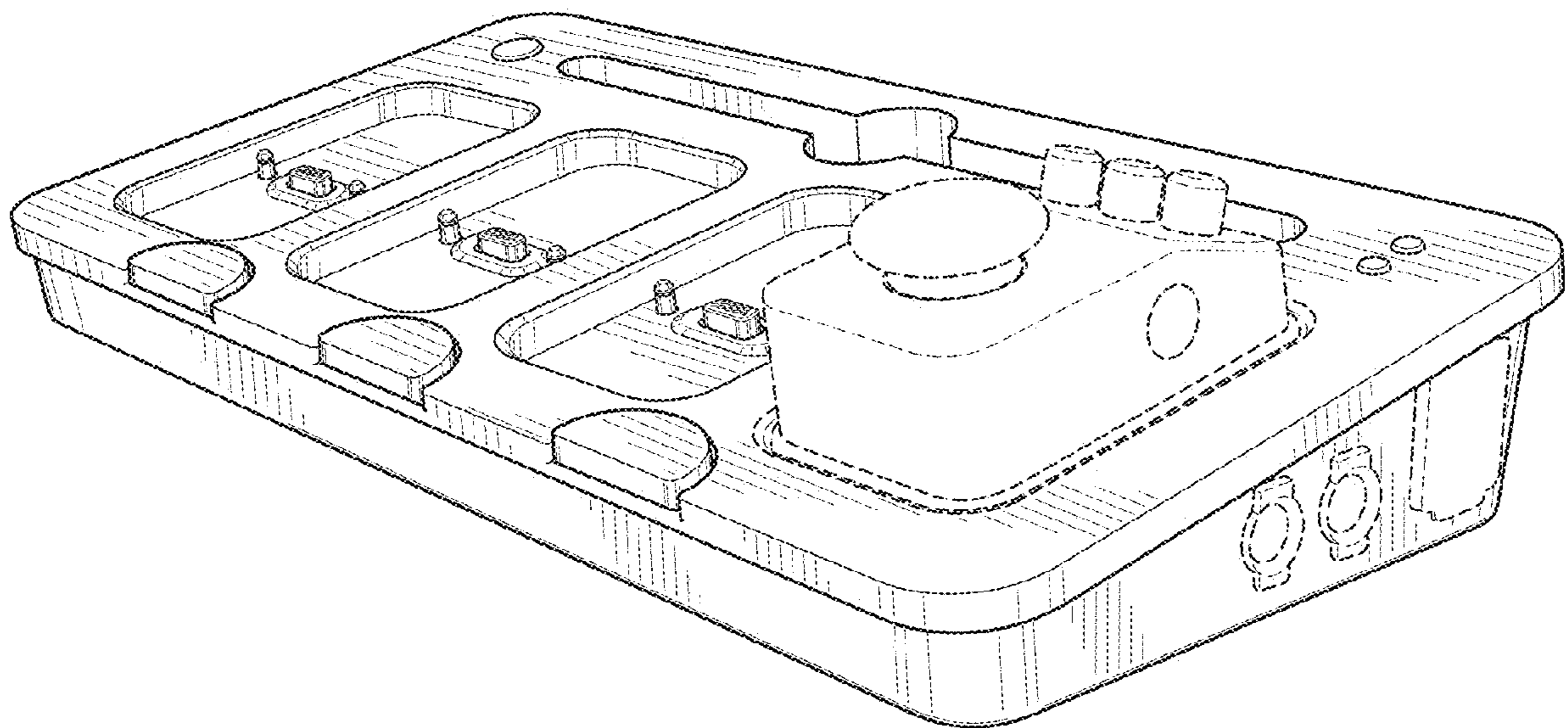


FIG. 7