



US00D886890S

(12) **United States Design Patent**
Liang

(10) **Patent No.:** **US D886,890 S**
(45) **Date of Patent:** **** Jun. 9, 2020**

- (54) **PROJECTOR**
- (71) Applicant: **Guomao Liang**, Guangdong (CN)
- (72) Inventor: **Guomao Liang**, Guangdong (CN)
- (73) Assignee: **Shenzhen Yuiying Electronic Co., Ltd**,
Shenzhen, Guangdong (CN)
- (**) Term: **15 Years**
- (21) Appl. No.: **29/674,412**
- (22) Filed: **Dec. 21, 2018**
- (51) **LOC (12) Cl.** **16-02**
- (52) **U.S. Cl.**
USPC **D16/230**
- (58) **Field of Classification Search**
USPC D16/221, 225, 230–231; D21/514;
363/115, 119
CPC G03B 21/145; G03B 21/14; G03B 21/00;
G03B 21/001; G03B 21/003; G03B
21/12; G03B 21/16
See application file for complete search history.

8,333,477 B2 * 12/2012 Kamiya G03B 21/14
353/119
D710,925 S * 8/2014 Tabuchi D16/230
D831,096 S * 10/2018 Gao D16/230
D849,820 S * 5/2019 Zhang D16/230

* cited by examiner

Primary Examiner — Wan Laymon

(57) **CLAIM**

The ornamental design for a projector, as shown and described.

DESCRIPTION

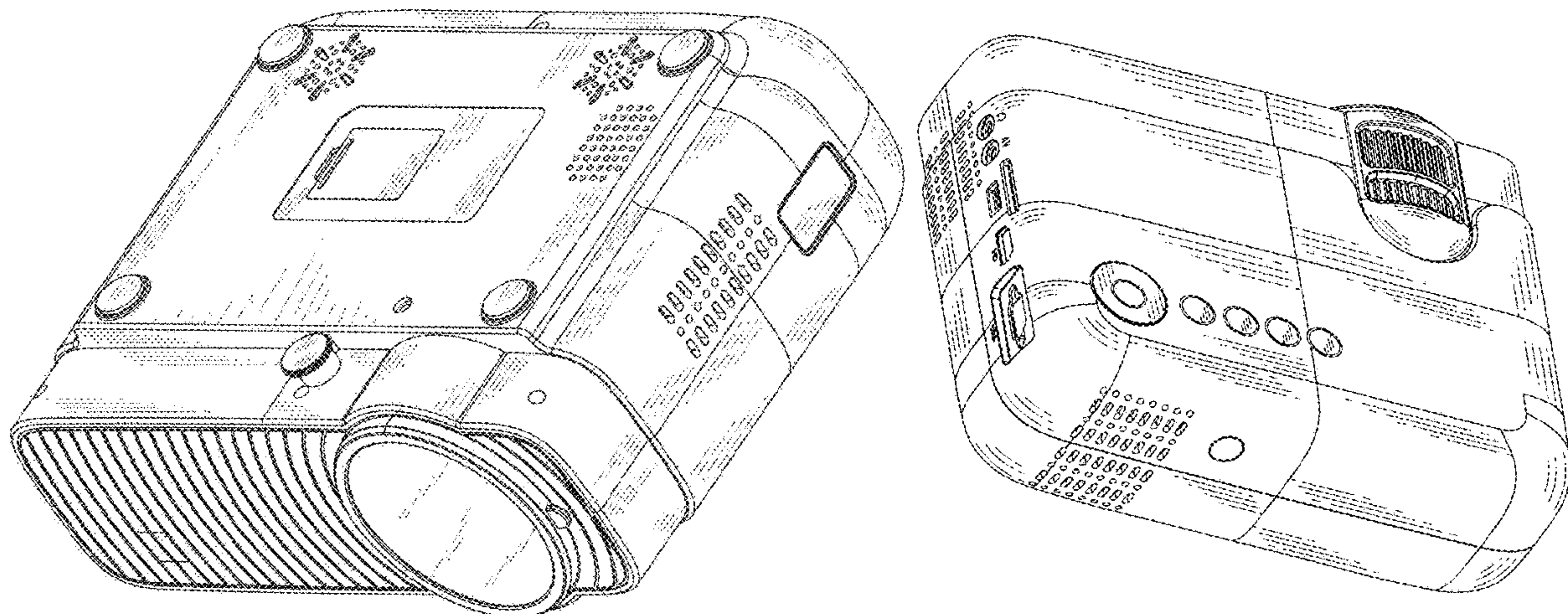
FIG. 1 is a front, top and right side perspective view of a projector showing my new design;
 FIG. 2 is a rear, bottom and left side perspective view thereof;
 FIG. 3 is a front elevation view thereof;
 FIG. 4 is a rear elevation view thereof;
 FIG. 5 is a left side elevation view thereof;
 FIG. 6 is a right side elevation view thereof;
 FIG. 7 is a top plan view thereof; and,
 FIG. 8 is a bottom plan view thereof.
 The broken lines illustrate portions of the projector and form no part of the claimed design.

(56) **References Cited**

U.S. PATENT DOCUMENTS

D523,058 S * 6/2006 On D16/230
 D555,696 S * 11/2007 Naruki D16/225

1 Claim, 8 Drawing Sheets



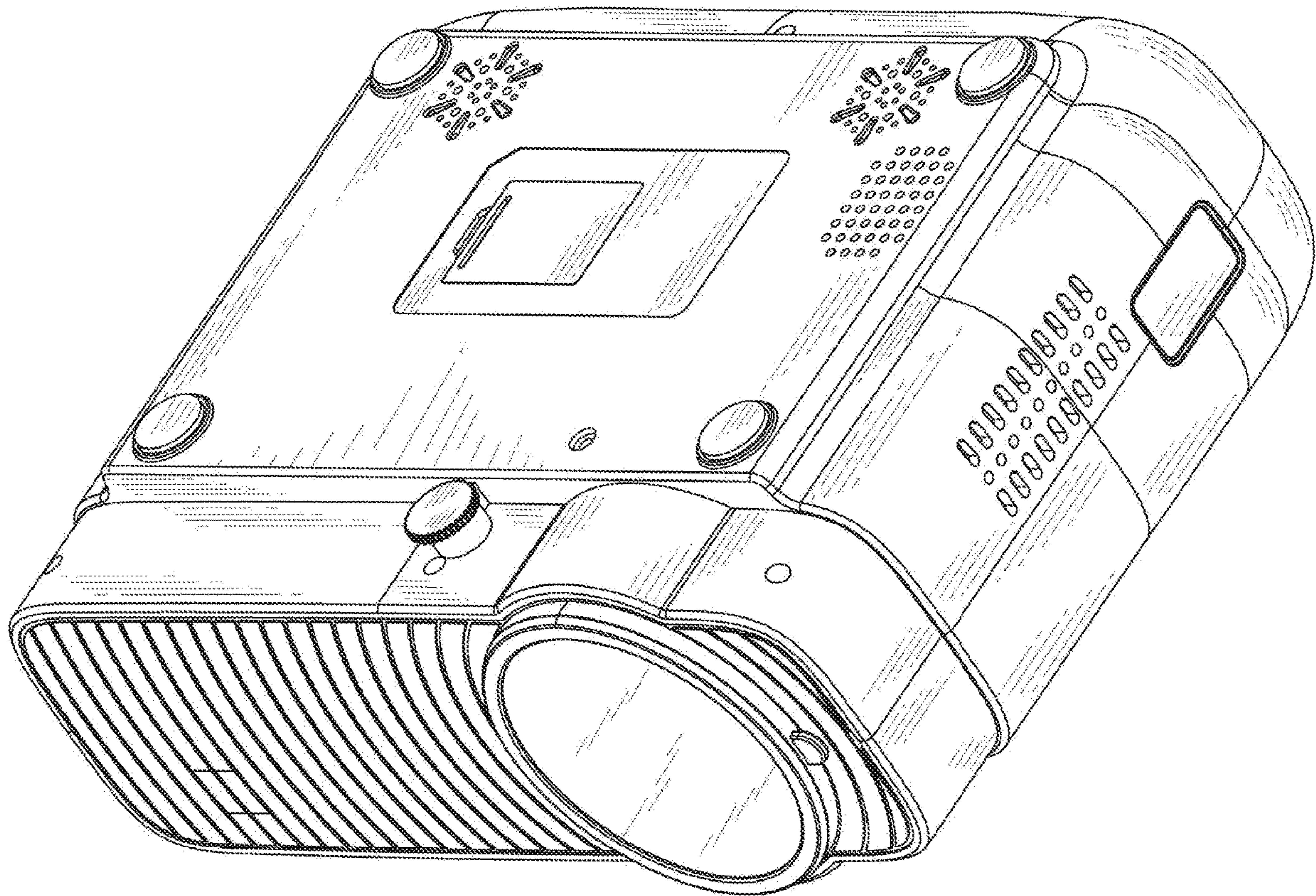


FIG.1

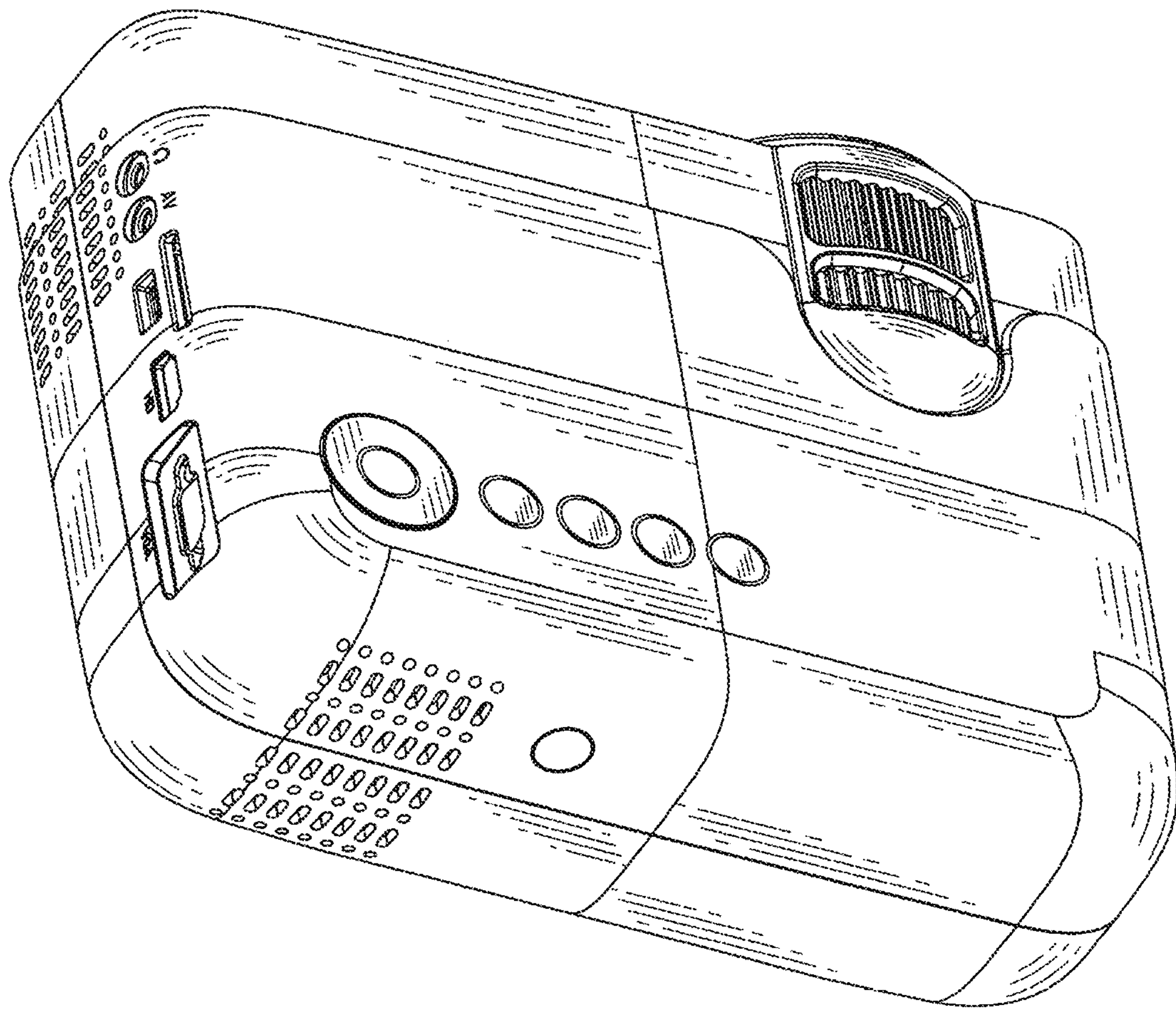


FIG.2

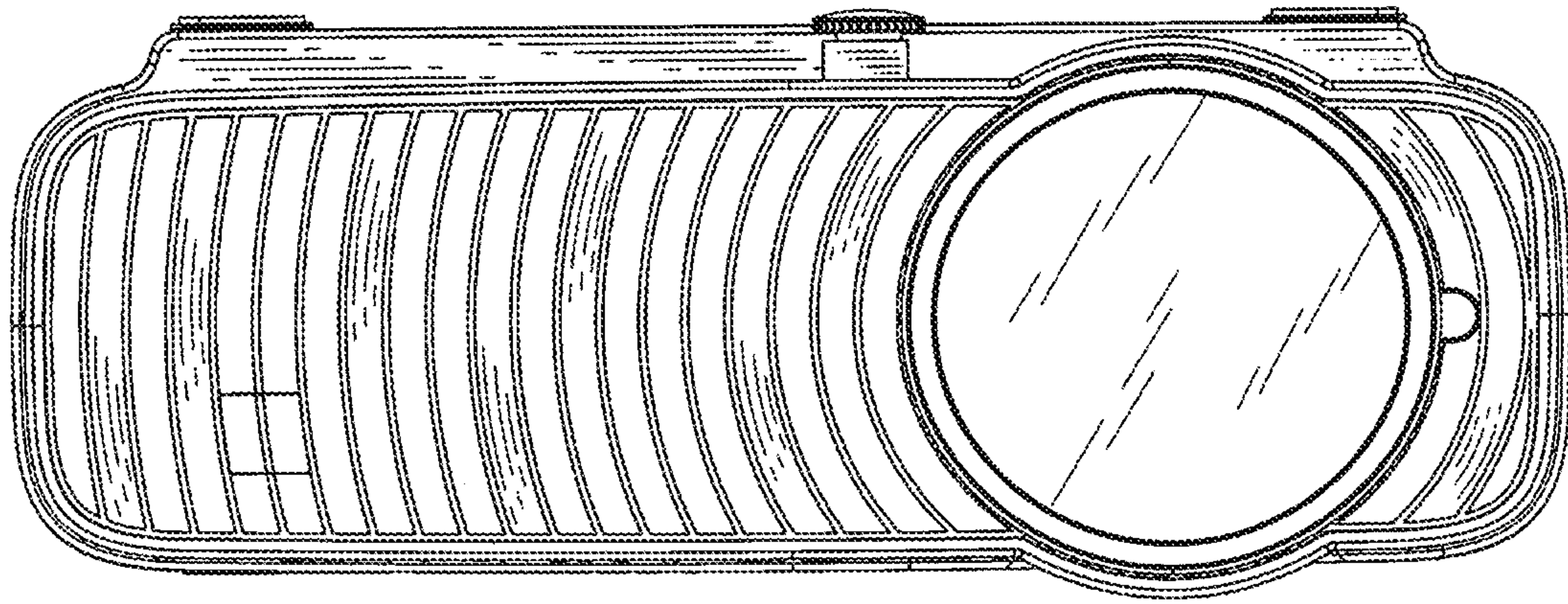


FIG.3

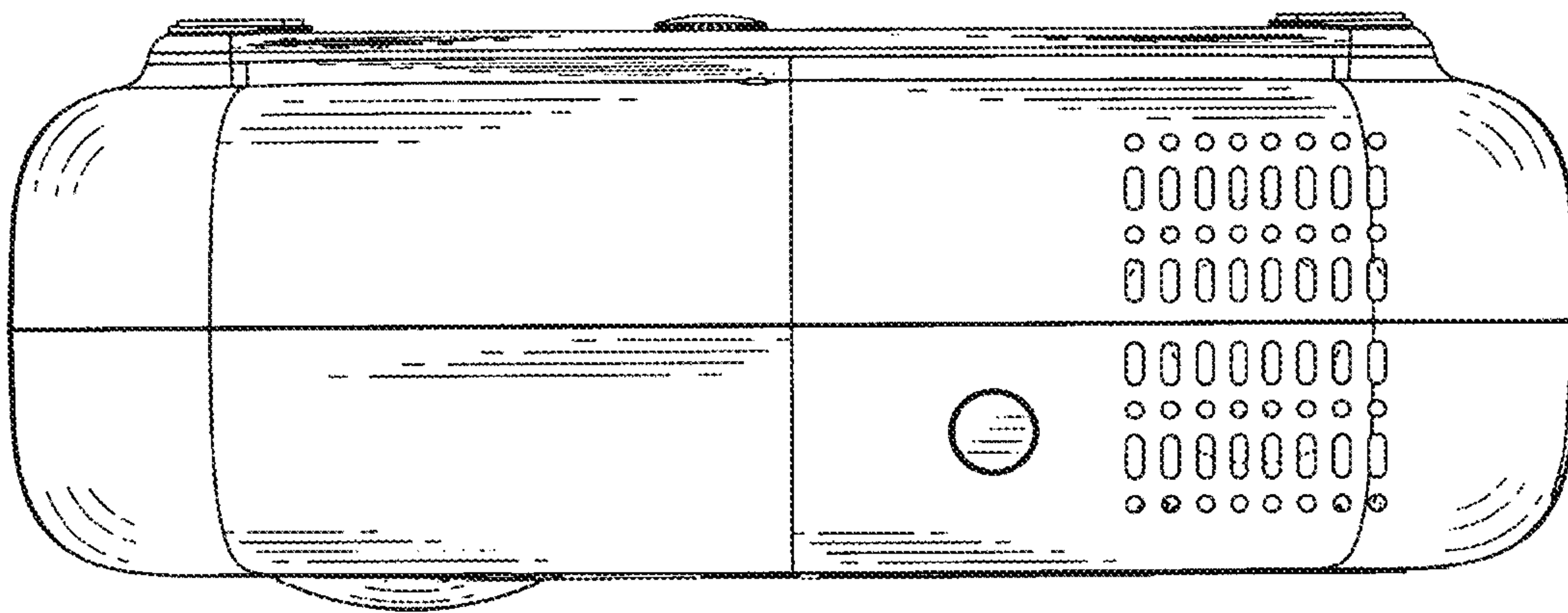


FIG.4

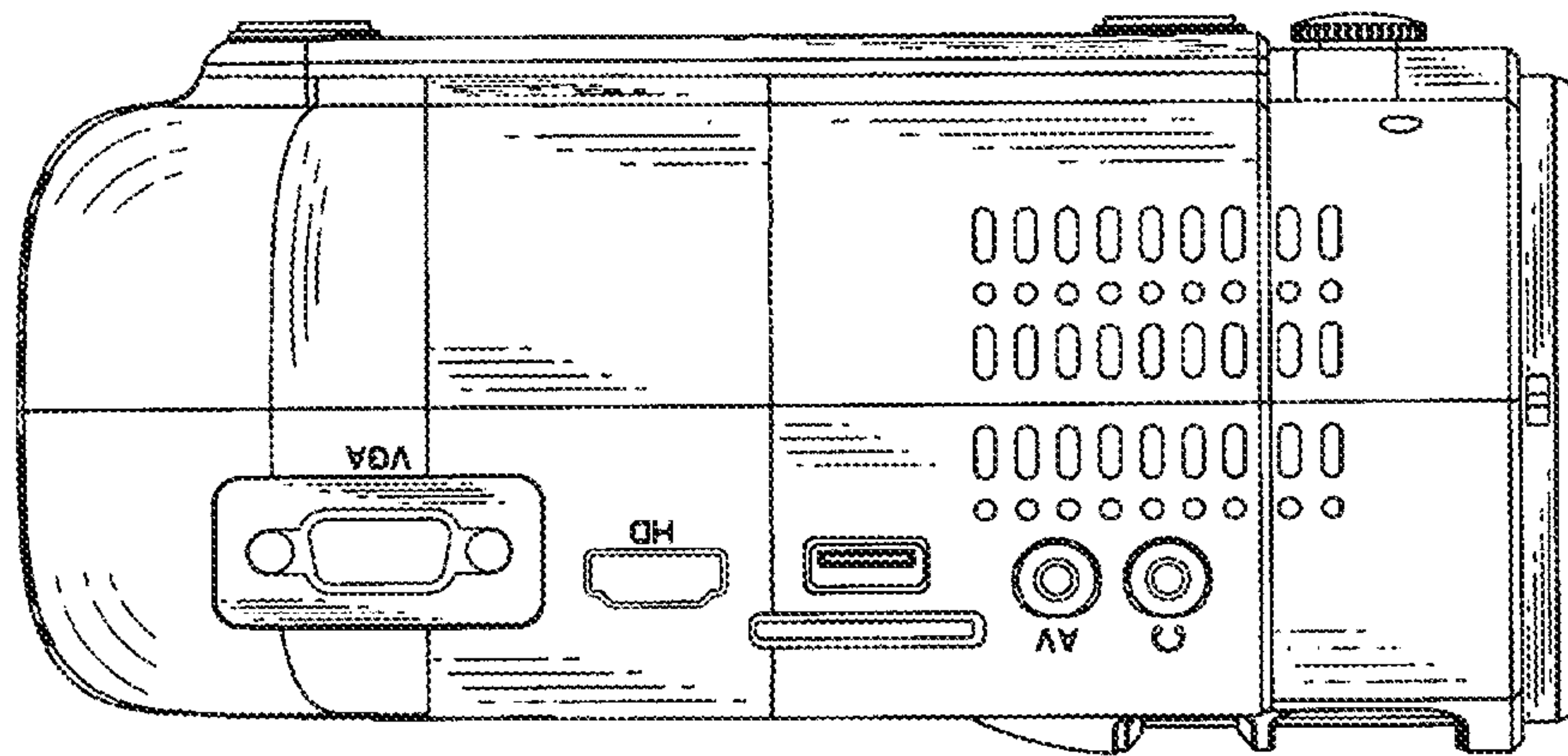


FIG.5

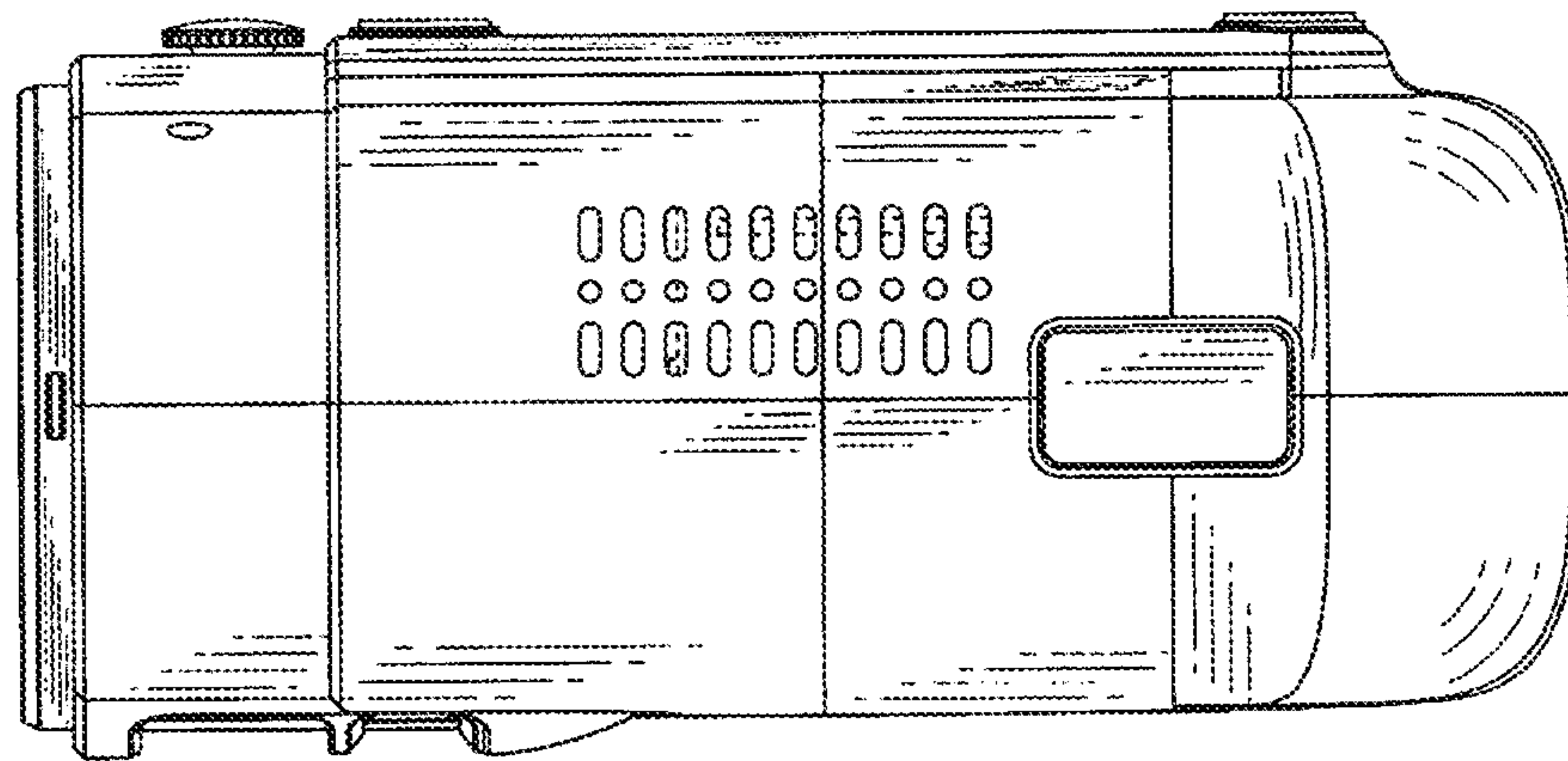


FIG.6

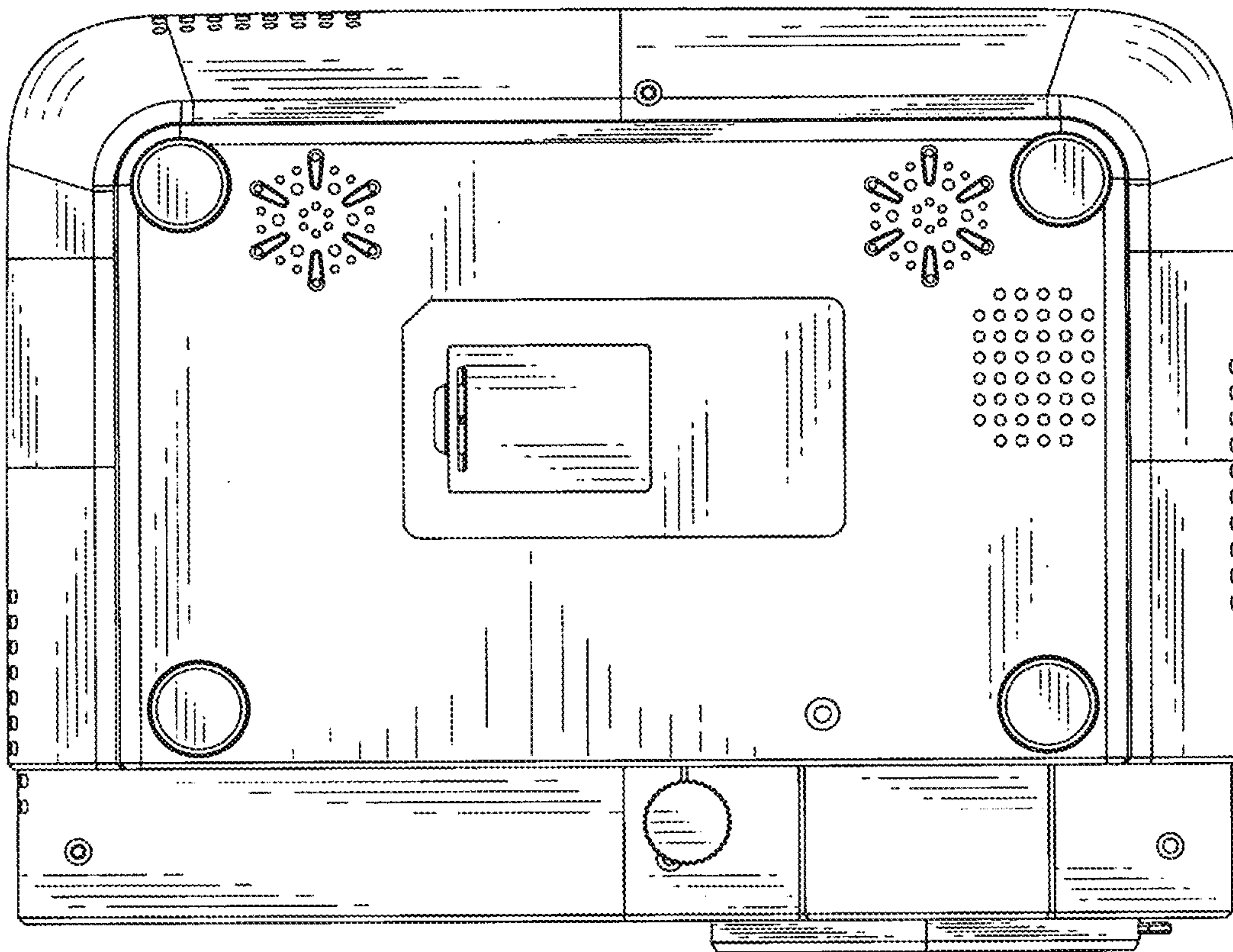


FIG. 7

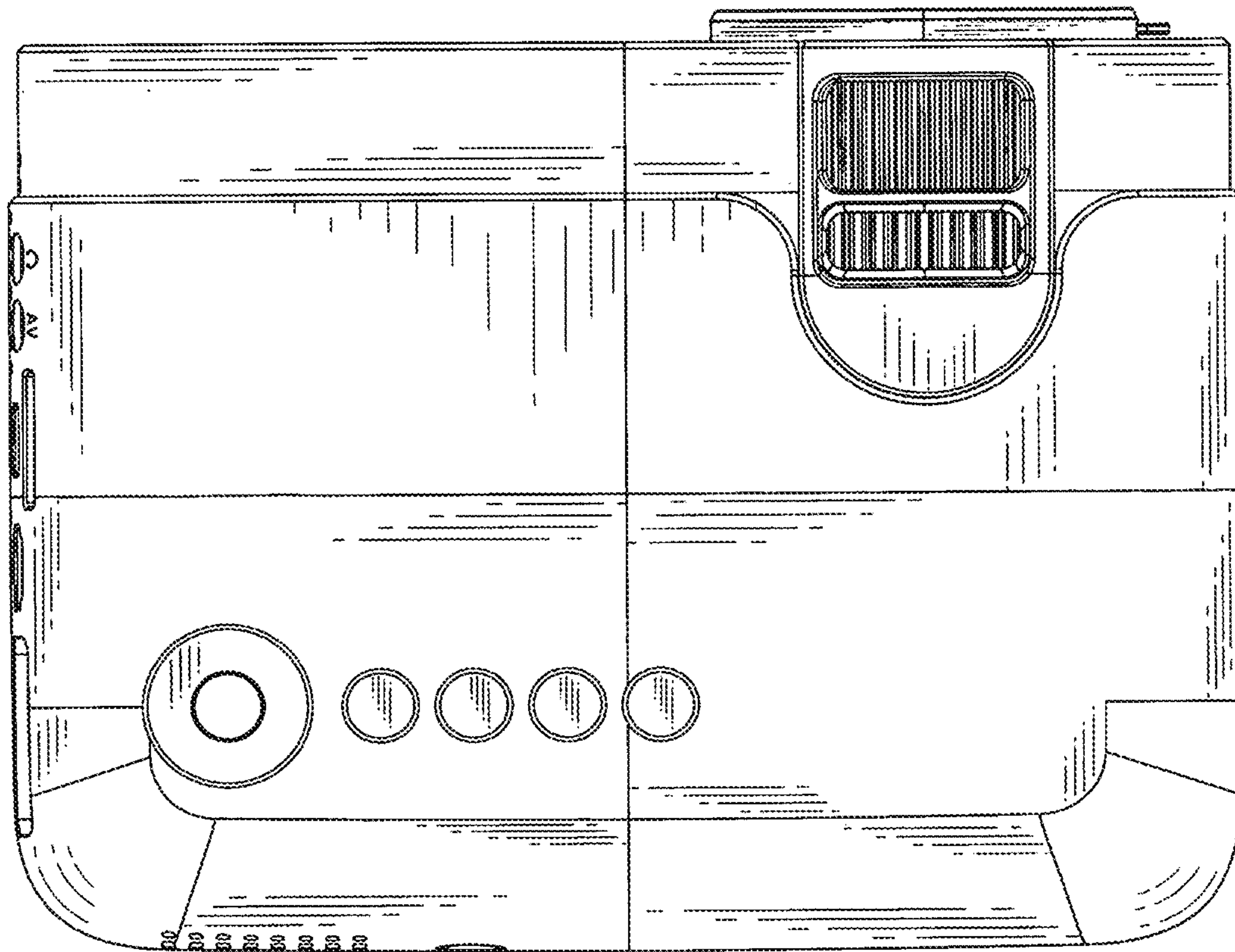


FIG. 8