



US00D886889S

(12) **United States Design Patent**
Mao

(10) **Patent No.:** **US D886,889 S**

(45) **Date of Patent:** **** Jun. 9, 2020**

(54) **PROJECTOR**

(71) Applicant: **Feng Mao**, Guangdong (CN)

(72) Inventor: **Feng Mao**, Guangdong (CN)

(73) Assignee: **Golden Coast Technology (Shenzhen) Co., Ltd**, Shenzhen, Guangdong (CN)

(**) Term: **15 Years**

(21) Appl. No.: **29/658,546**

(22) Filed: **Aug. 1, 2018**

(51) **LOC (12) Cl.** **16-02**

(52) **U.S. Cl.**
USPC **D16/230**

(58) **Field of Classification Search**
USPC D16/221, 225, 230-231; D21/514;
363/115, 119
CPC G03B 21/145; G03B 21/14; G03B 21/00;
G03B 21/001; G03B 21/003; G03B
21/12; G03B 21/16
See application file for complete search history.

(56) **References Cited**

U.S. PATENT DOCUMENTS

D523,058 S * 6/2006 On D16/230
D555,696 S * 11/2007 Naruki D16/225

8,333,477 B2 * 12/2012 Kamiya G03B 21/14
353/119
D710,925 S * 8/2014 Tabuchi D16/230
D831,096 S * 10/2018 Gao D16/230
D849,820 S * 5/2019 Zhang D16/230

* cited by examiner

Primary Examiner — Wan Laymon

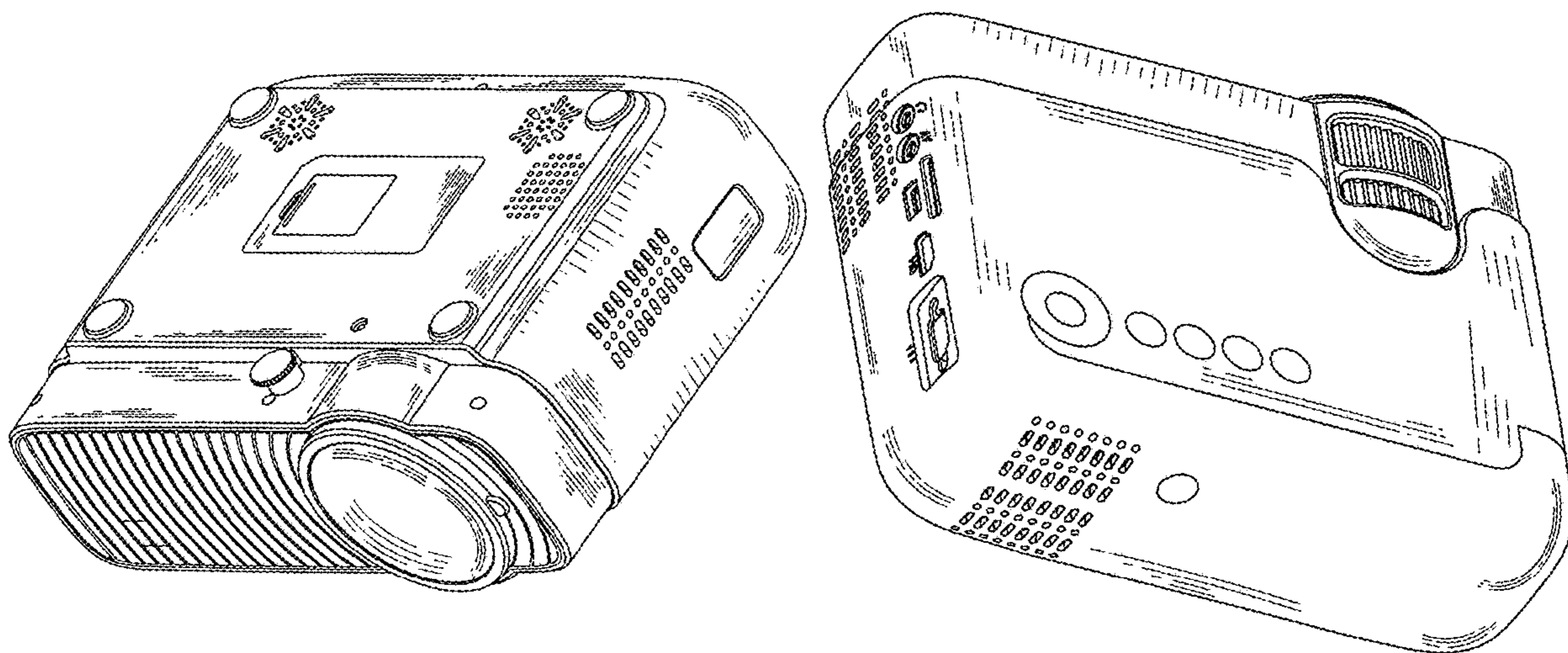
(57) **CLAIM**

The ornamental design for a projector, as shown and described.

DESCRIPTION

FIG. 1 is a front, right and top perspective view of a projector showing my new design;
FIG. 2 is a rear, left and bottom perspective view thereof;
FIG. 3 is a front elevational view thereof;
FIG. 4 is a rear elevational view thereof;
FIG. 5 is a left side elevational view thereof;
FIG. 6 is a right side elevational view thereof;
FIG. 7 is a top plan view thereof; and,
FIG. 8 is a bottom plan view thereof.

1 Claim, 8 Drawing Sheets



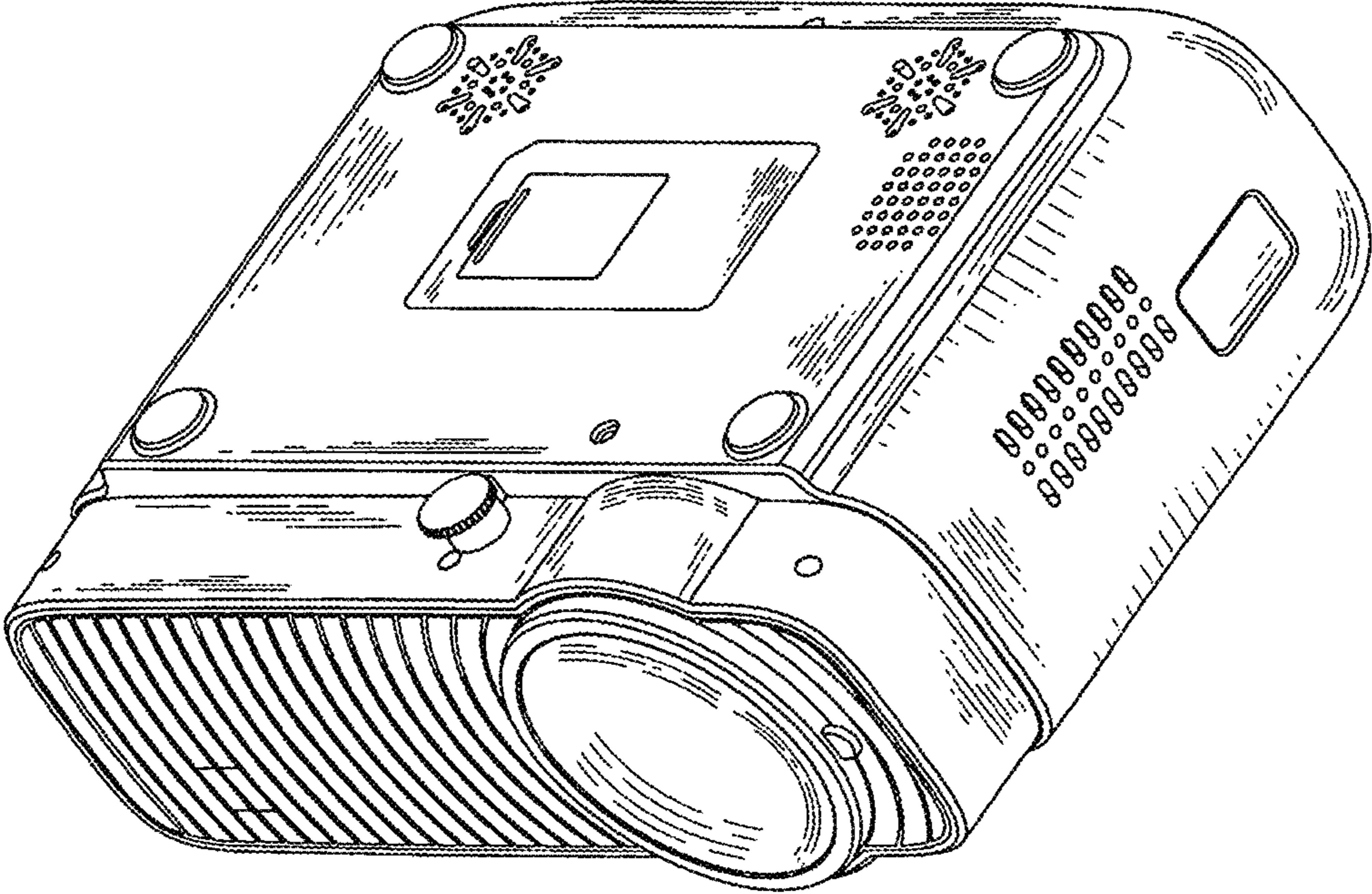


FIG. 1

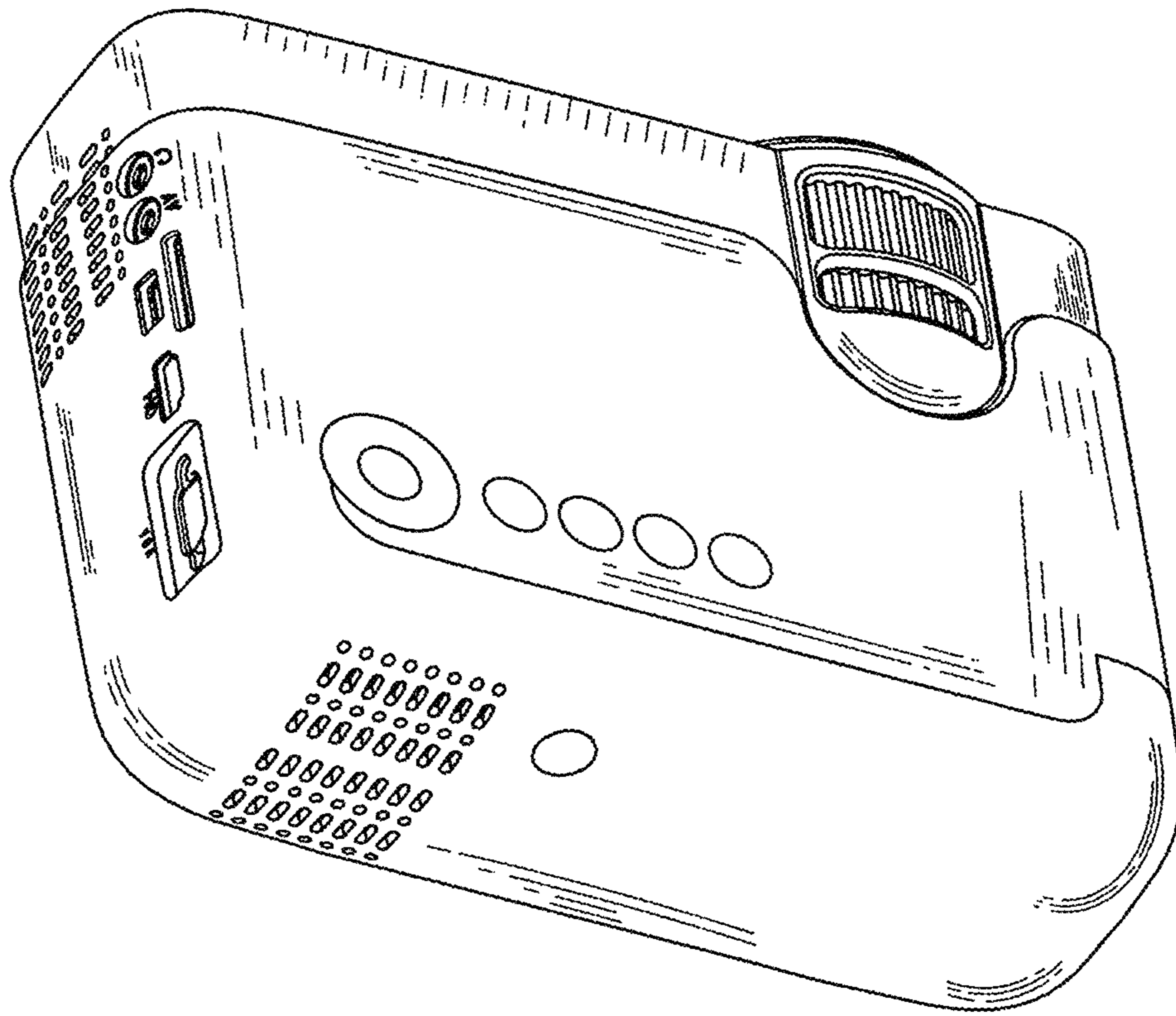


FIG.2

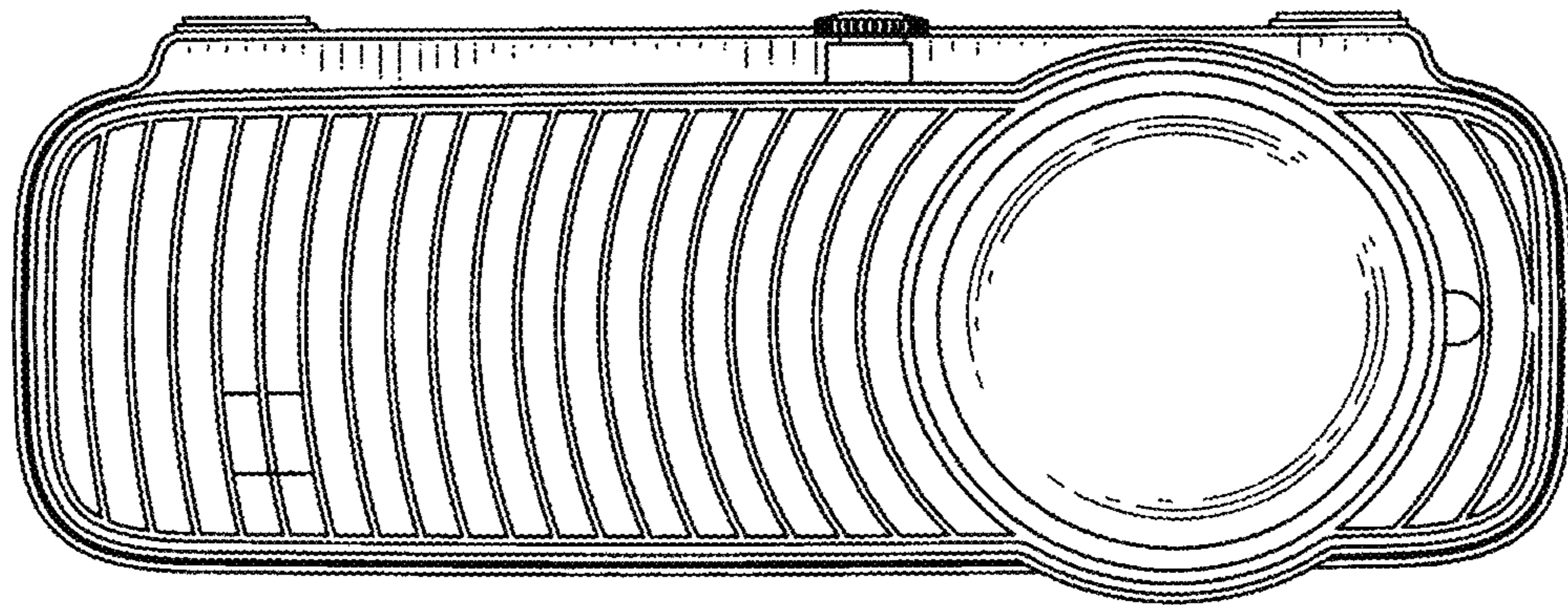


FIG.3

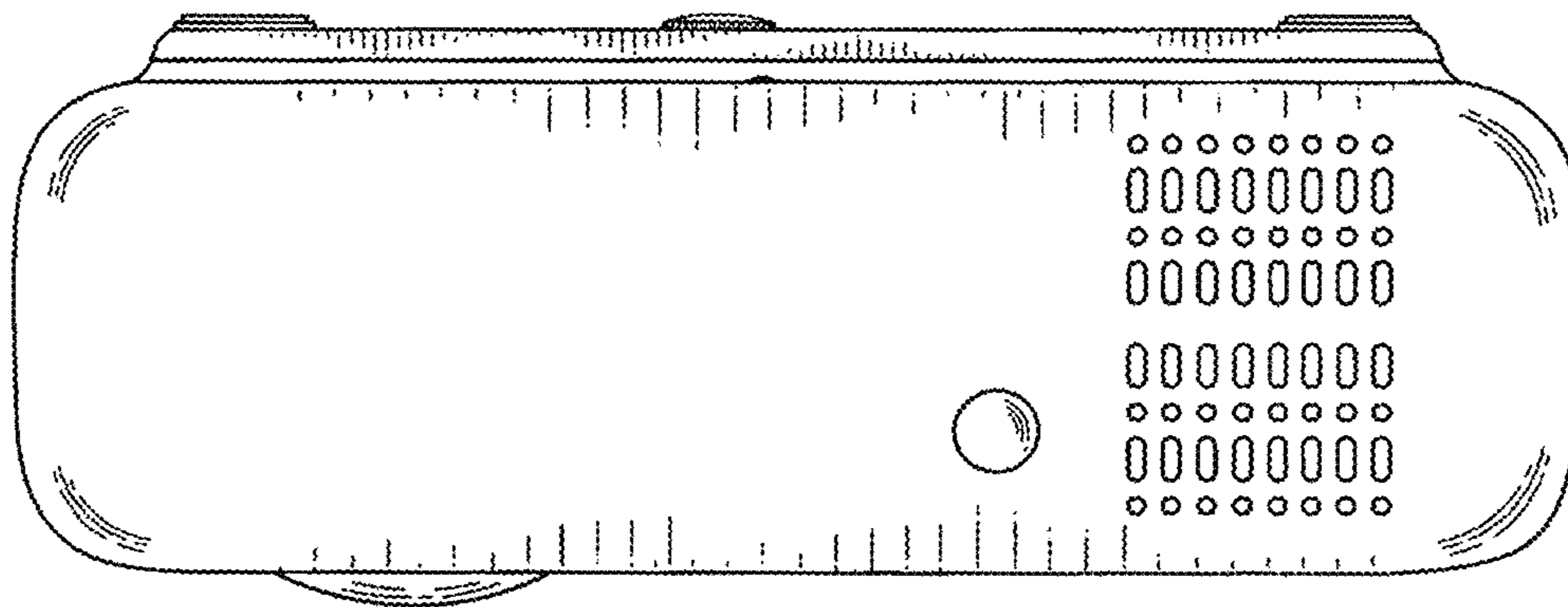


FIG.4

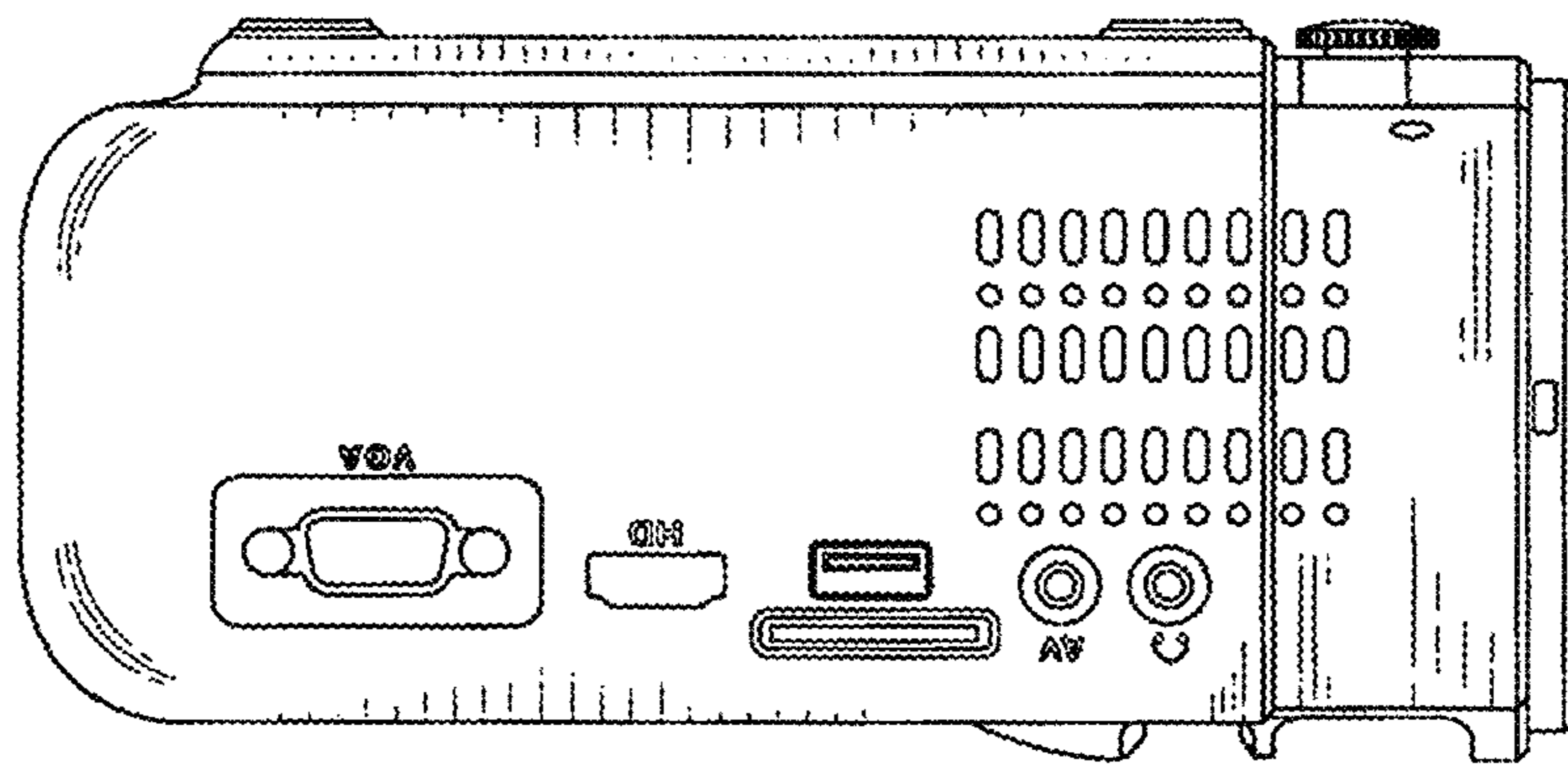


FIG.5

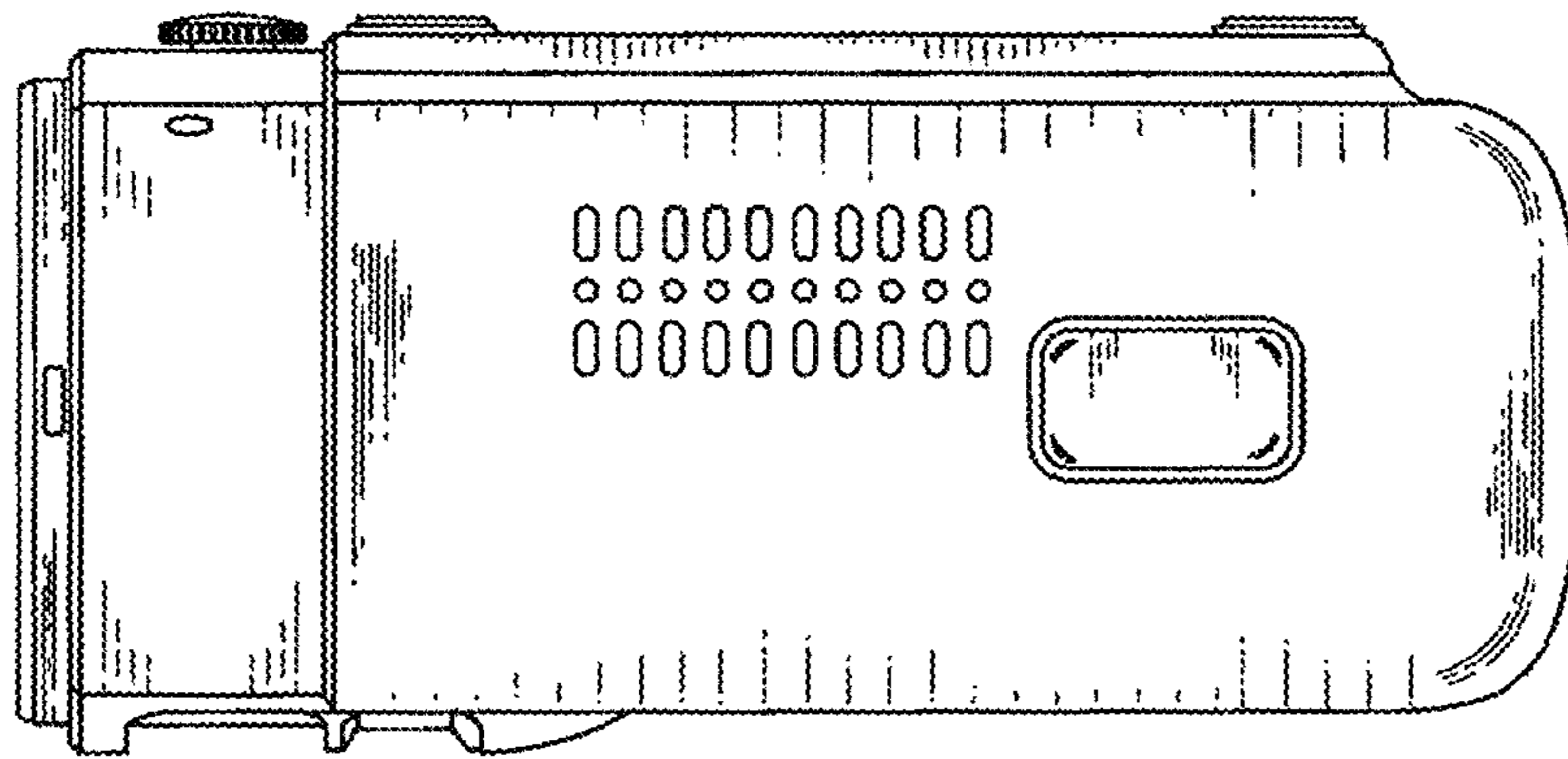


FIG.6

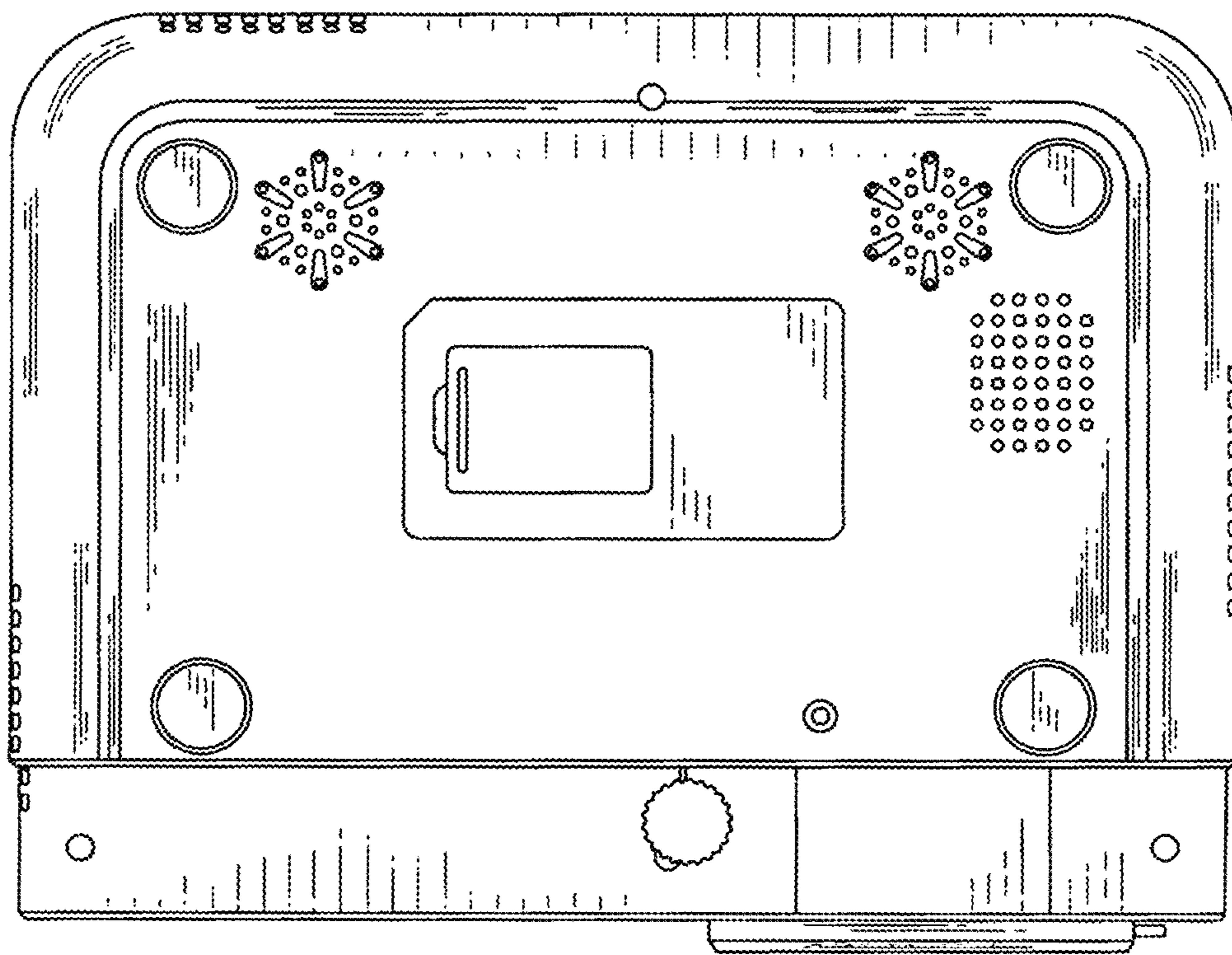


FIG.7

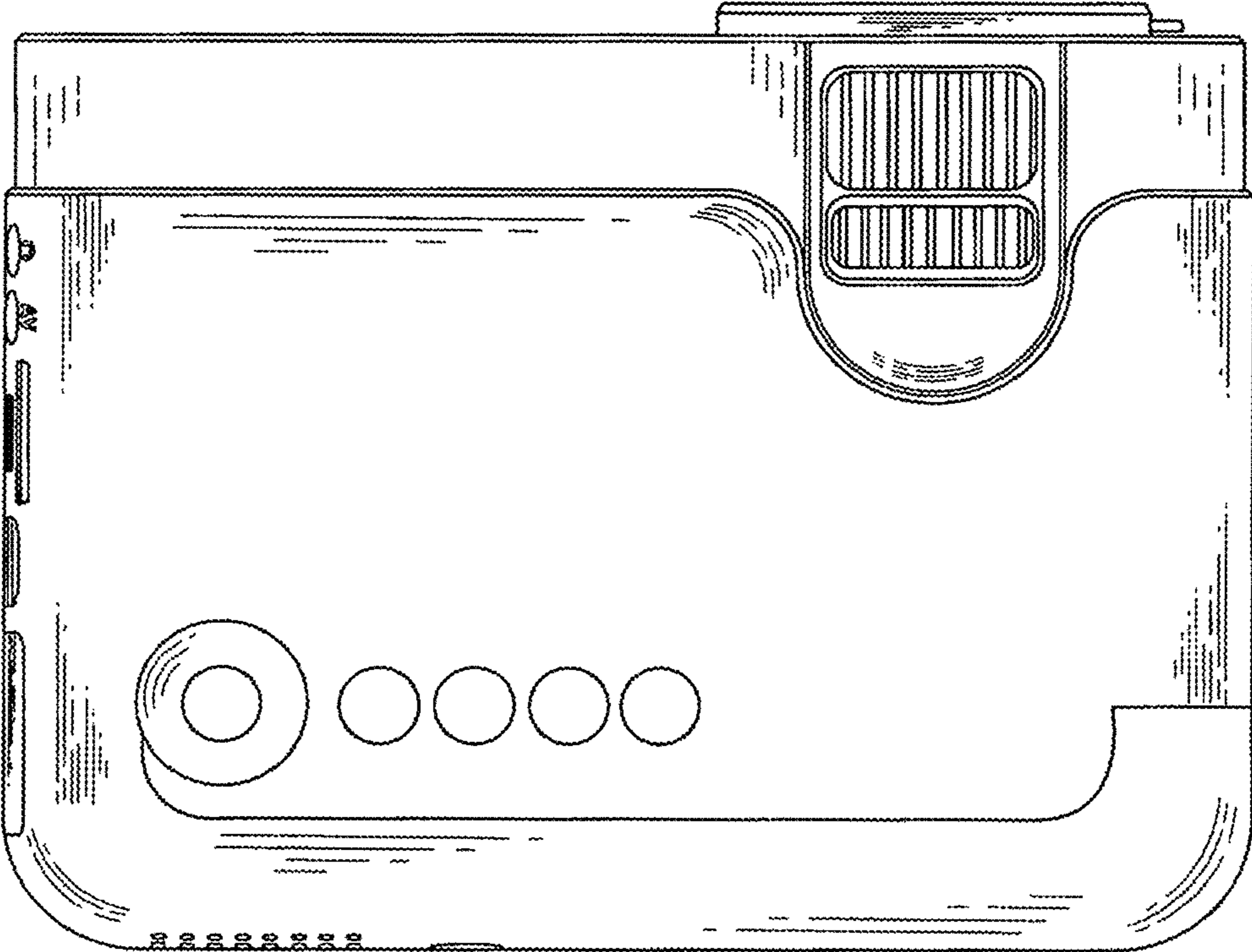


FIG.8