



US00D886888S

(12) **United States Design Patent**  
**Möller**

(10) **Patent No.:** **US D886,888 S**

(45) **Date of Patent:** **\*\* Jun. 9, 2020**

(54) **SETTING RING INDICATOR OF CAMERA LENS**

(71) Applicant: **Arnold & Richter Cine Technik GmbH & Co. Betriebs KG, Munich (DE)**

(72) Inventor: **Andreas Möller, Munich (DE)**

(73) Assignee: **Arnold & Richter Cine Technik GmbH & Co. Betriebs KG, Munich (DE)**

(\*\*) Term: **15 Years**

(21) Appl. No.: **29/678,879**

(22) Filed: **Jan. 31, 2019**

(30) **Foreign Application Priority Data**

Nov. 29, 2018 (EM) ..... 005839321

(51) **LOC (12) Cl.** ..... **16-05**

(52) **U.S. Cl.**  
USPC ..... **D16/219**

(58) **Field of Classification Search**  
USPC ..... D16/134, 136, 200, 202–205, 218, 219,  
D16/235, 242; 348/373–376;  
359/826–828; 396/529–532, 535,  
396/539–541  
CPC ..... G03B 17/02; G03B 19/04; G03B 17/56;  
G03B 17/04; G03B 15/03; G03B 17/14;  
H04N 5/2251; H04N 5/2252; H04N  
5/2253; H04N 5/2254; G02B 7/02; G02B  
7/04; G02B 7/14

See application file for complete search history.

(56) **References Cited**

**U.S. PATENT DOCUMENTS**

D730,968 S \* 6/2015 O'Neill ..... D16/219  
D741,937 S \* 10/2015 Park ..... D16/219

D763,942 S \* 8/2016 Yoon ..... D16/219  
D768,224 S \* 10/2016 Kim ..... D16/219  
D775,680 S \* 1/2017 Yoshiyama ..... D16/219  
D783,700 S \* 4/2017 Tagawa ..... D16/219  
D837,276 S \* 1/2019 Ikegame ..... D16/219  
D837,277 S \* 1/2019 Ikegame ..... D16/219  
D849,116 S \* 5/2019 Lee ..... D16/219  
D857,080 S \* 8/2019 Kamei ..... D16/219  
D867,430 S \* 11/2019 Ikegame ..... D16/219  
D871,487 S \* 12/2019 Sakai ..... D16/219

(Continued)

*Primary Examiner* — Ramzi S Almatrahi

(74) *Attorney, Agent, or Firm* — Dinsmore & Shohl LLP;  
Cesare Scalfani

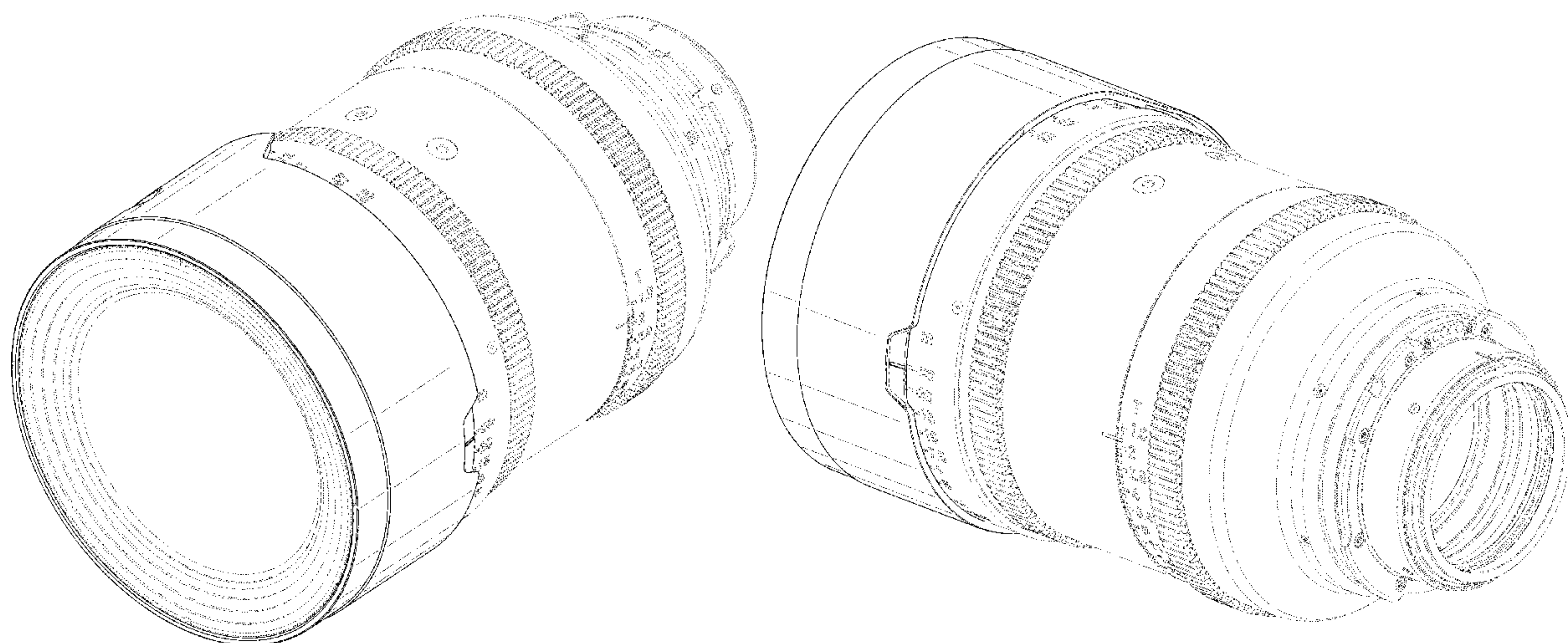
(57) **CLAIM**

The ornamental design for a setting ring indicator of camera lens, as shown and described.

**DESCRIPTION**

FIG. 1 is a top, front and left side perspective view of a setting ring indicator of camera lens;  
FIG. 2 is a top, rear and left side perspective view of the setting ring indicator of camera lens of FIG. 1;  
FIG. 3 is a left side view of the setting ring indicator of camera lens of FIG. 1;  
FIG. 4 is a right side view of the setting ring indicator of camera lens of FIG. 1;  
FIG. 5 is a top plan view of the setting ring indicator of camera lens of FIG. 1;  
FIG. 6 is a bottom plan view of the setting ring indicator of camera lens of FIG. 1;  
FIG. 7 is a front view of the setting ring indicator of camera lens of FIG. 1; and,  
FIG. 8 is a rear view of the setting ring indicator of camera lens of FIG. 1.  
The broken lines depict portions of the setting ring indicator of camera lens in which the design is embodied that form no part of the claimed design.

**1 Claim, 8 Drawing Sheets**



(56)

**References Cited**

U.S. PATENT DOCUMENTS

2015/0116535 A1\* 4/2015 Wu ..... H04N 9/735  
348/224.1

\* cited by examiner

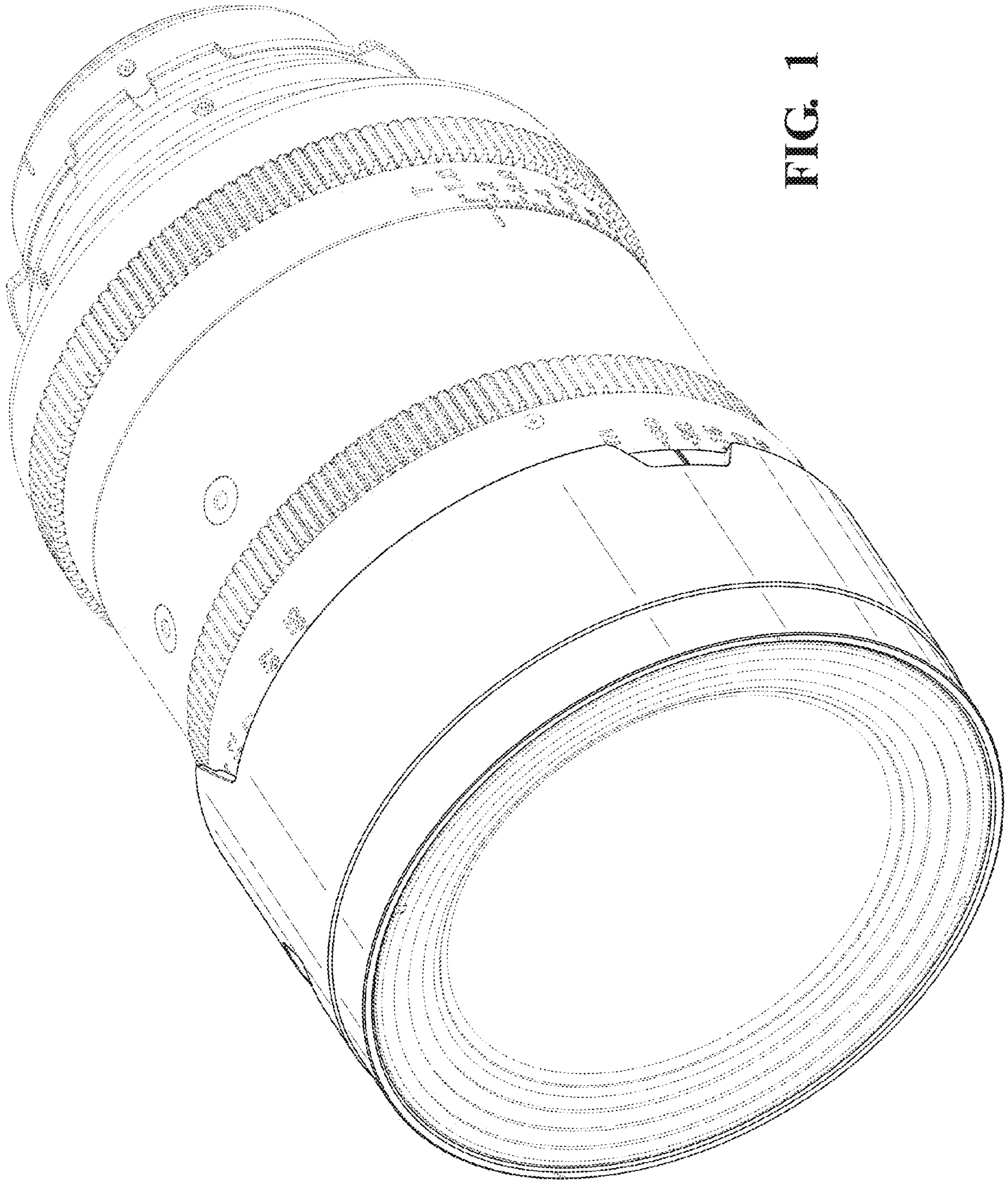


FIG. 1



FIG. 2

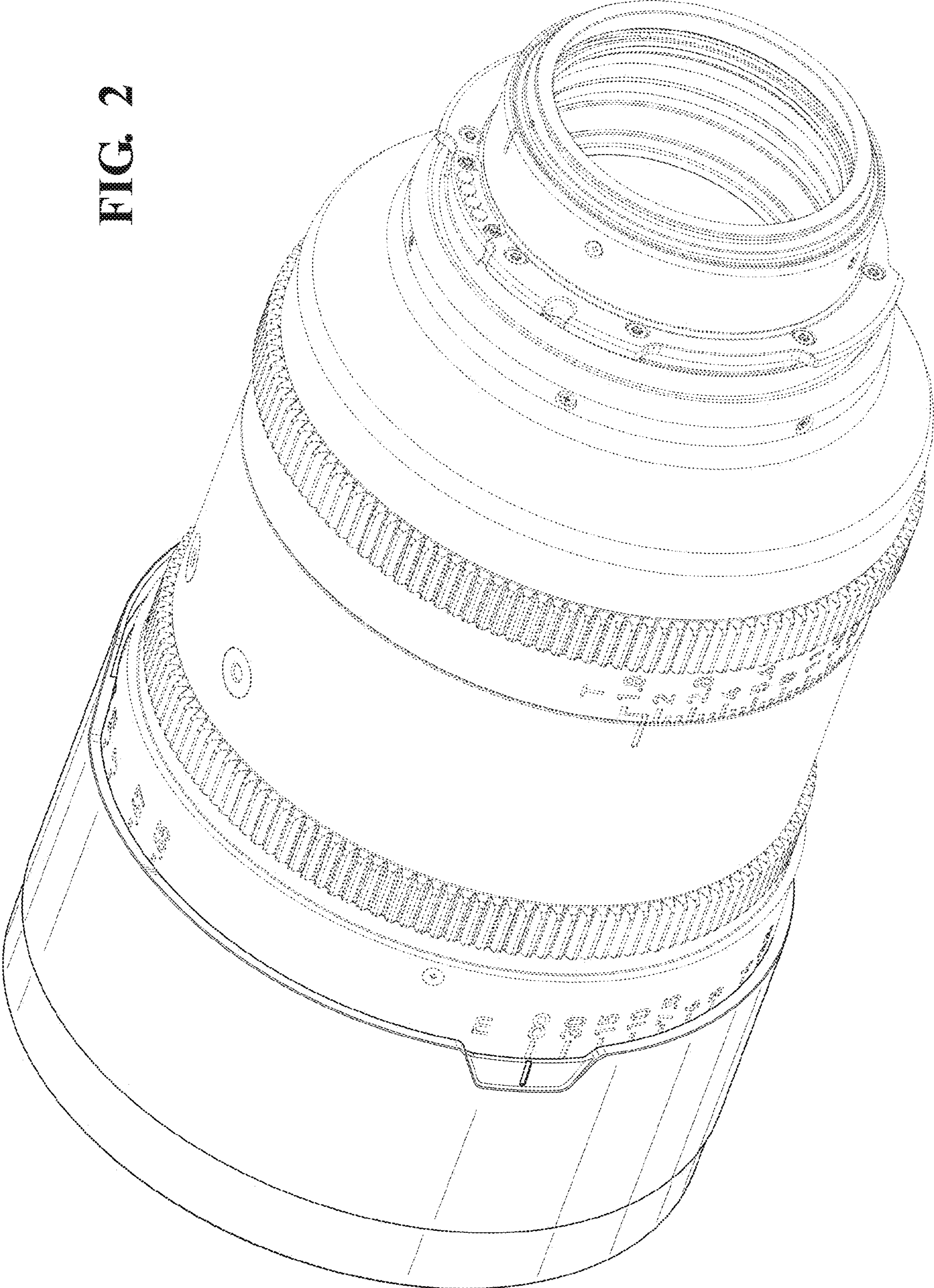


FIG. 3

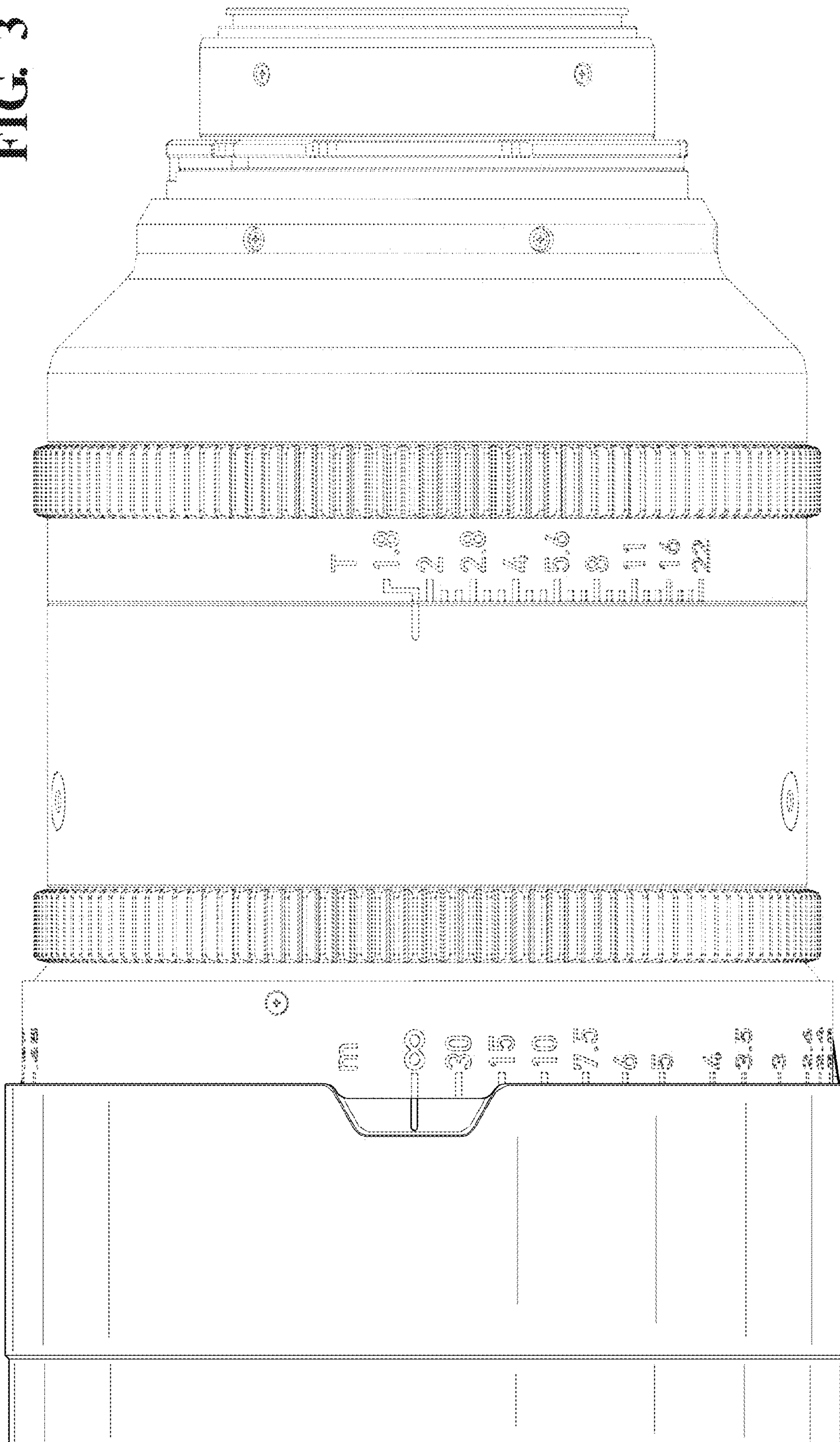






FIG. 5

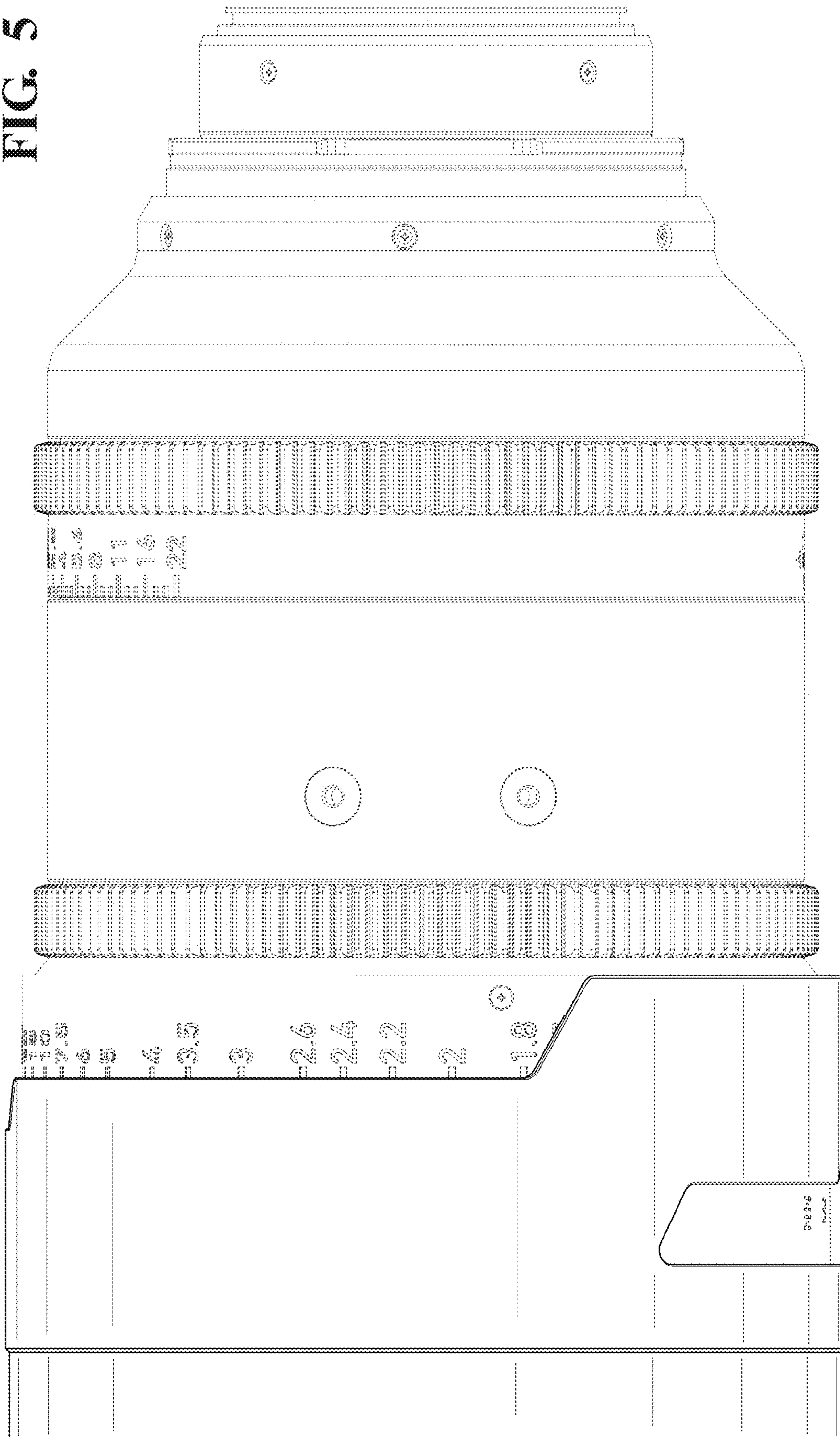
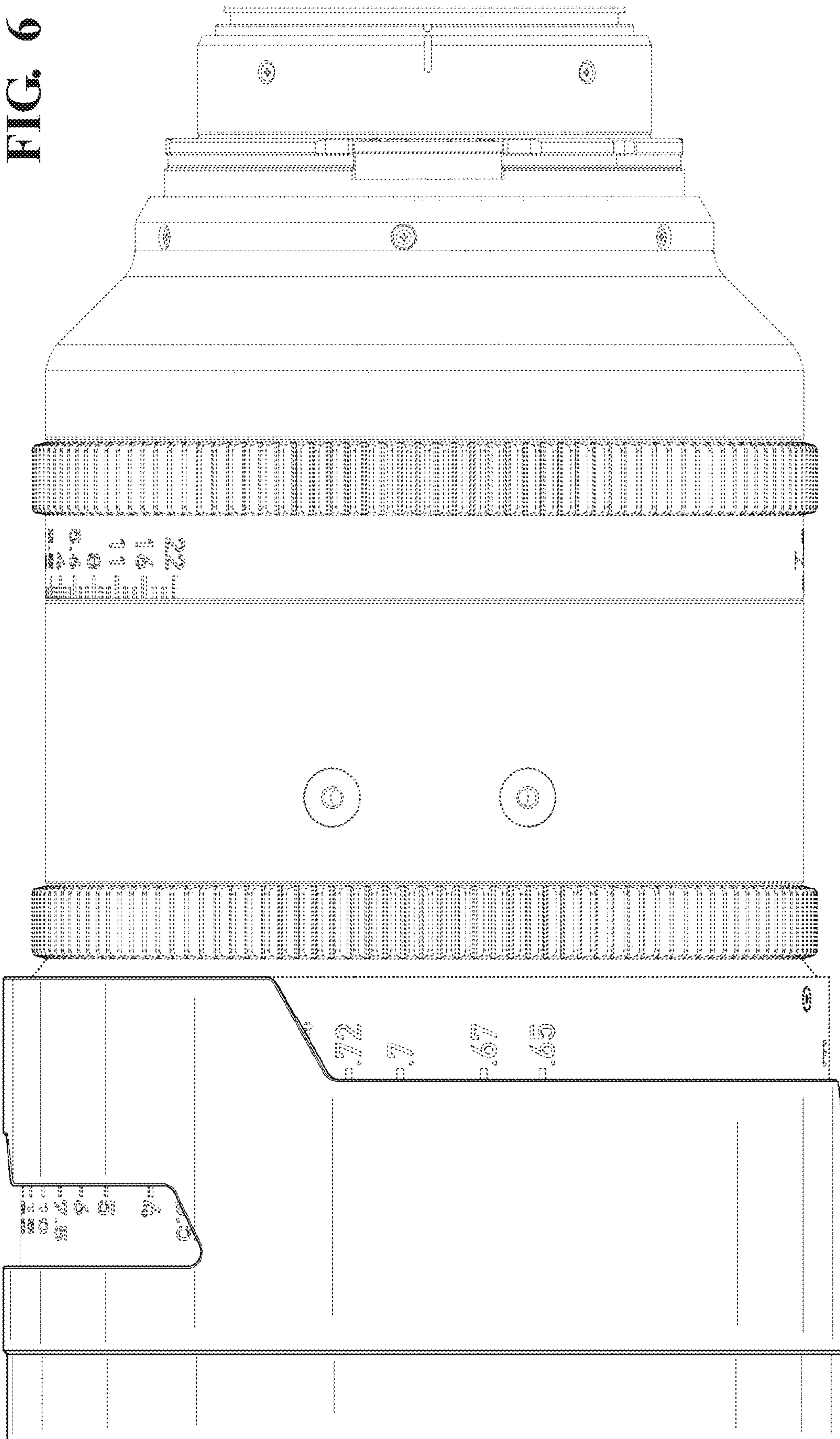
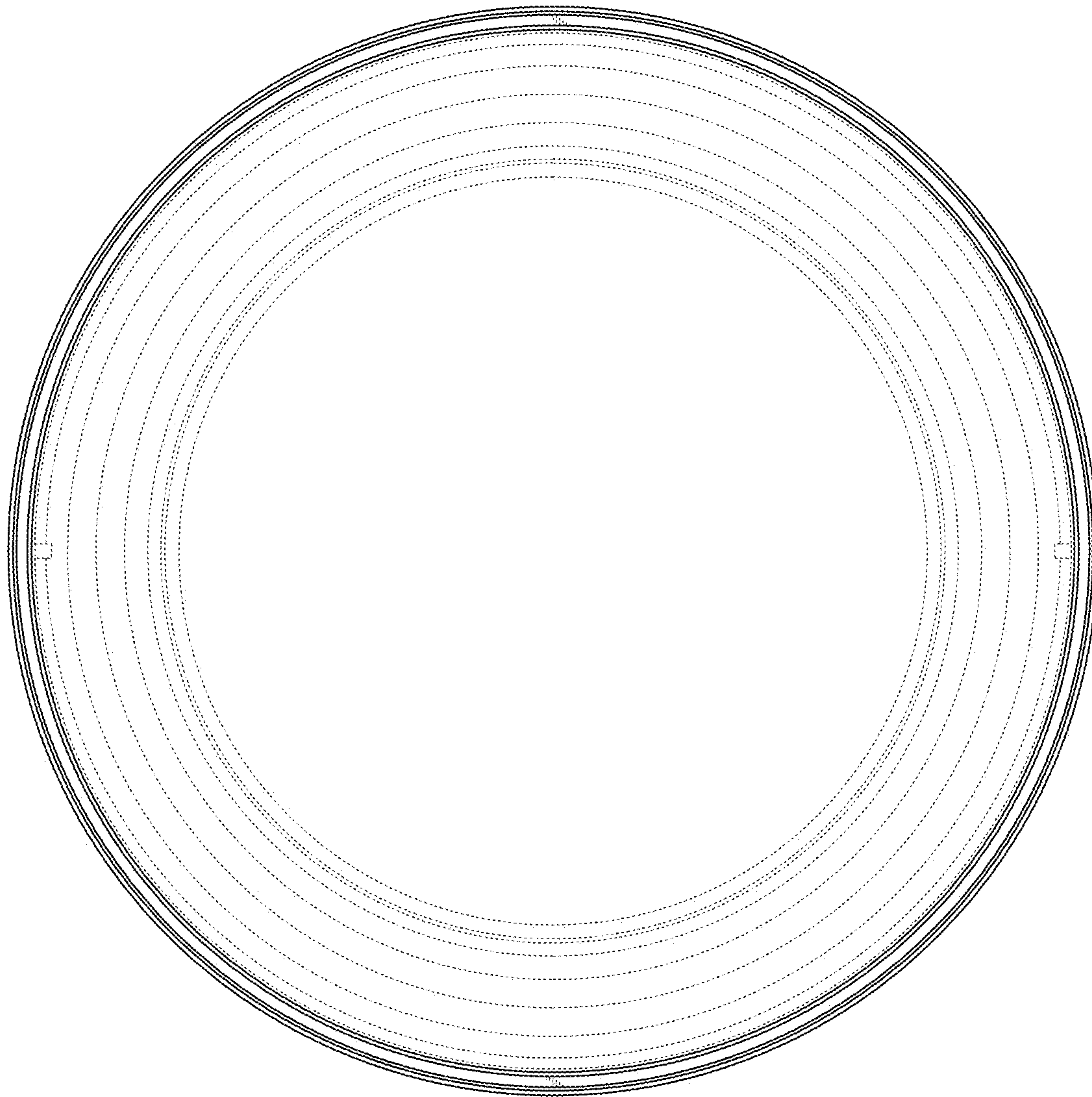


FIG. 6







**FIG. 7**

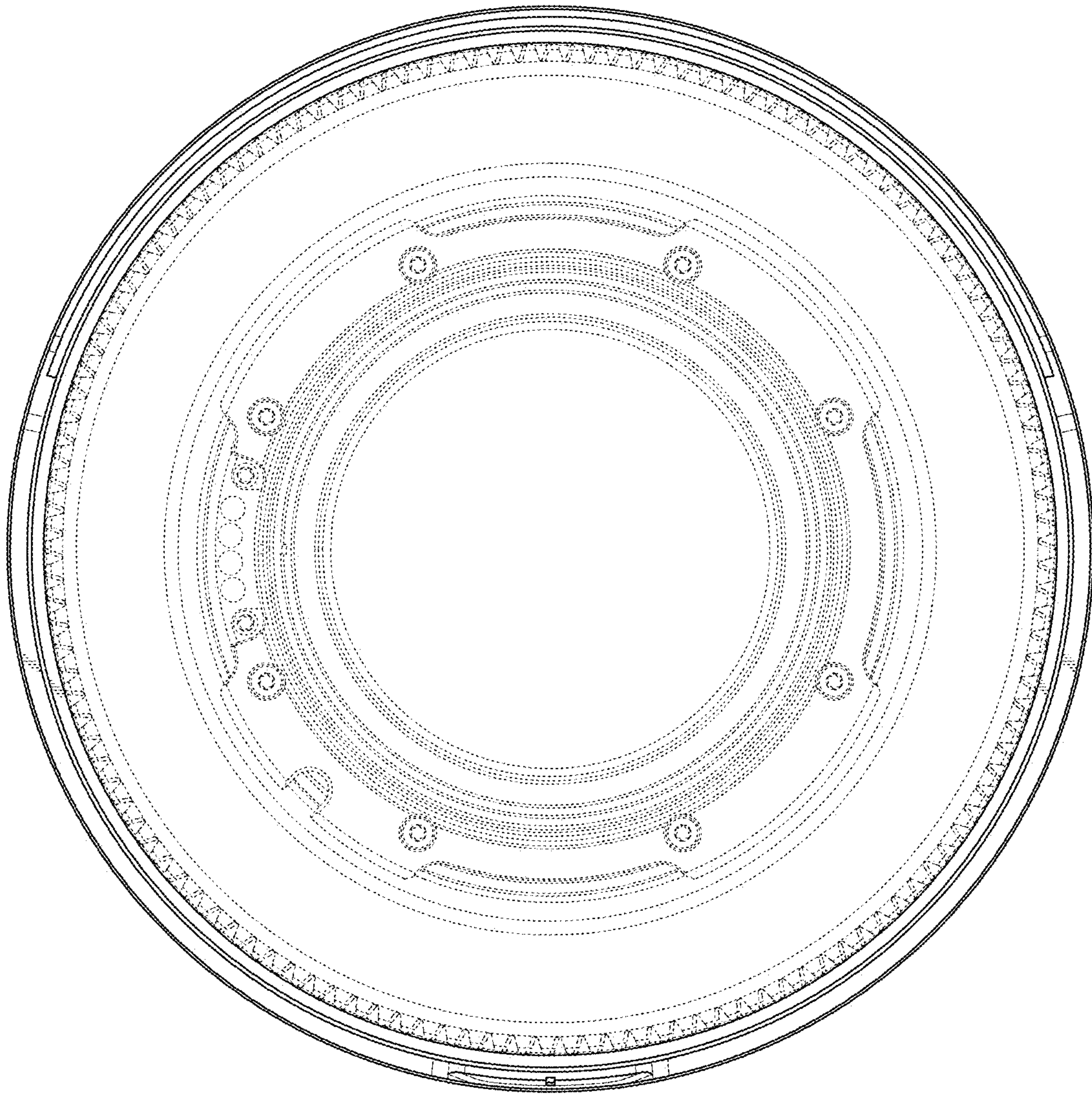


FIG. 8