



US00D886885S

(12) **United States Design Patent**
Woods

(10) **Patent No.:** **US D886,885 S**

(45) **Date of Patent:** **** Jun. 9, 2020**

(54) **SECURITY INFORMATION CAPTURE
DEVICE**

(71) Applicant: **Lucrative Innovations, Inc.**,
Indianapolis, IN (US)

(72) Inventor: **Danny K. Woods**, Brazil, IN (US)

(73) Assignee: **Lucrative Innovations, Inc.**,
Indianapolis, IN (US)

(**) Term: **15 Years**

(21) Appl. No.: **29/694,149**

(22) Filed: **Jun. 7, 2019**

(51) **LOC (12) Cl.** **16-01**

(52) **U.S. Cl.**
USPC **D16/203**

(58) **Field of Classification Search**
USPC D16/200, 202–205, 208, 218, 219, 242;
348/14.01–14.06, 143, 148, 373–376;
396/419, 427, 535, 539–541
CPC G03B 17/02; G03B 19/04; G03B 17/56;
G03B 17/04; G03B 15/03; H04N 5/2251;
H04N 5/2252; H04N 5/2253; H04N
5/2254; H04N 2007/145; H04N 7/141;
H04N 7/142; H04N 7/147; H04N 7/148;
H04N 7/15; H04N 7/152

See application file for complete search history.

(56) **References Cited**

U.S. PATENT DOCUMENTS

D441,000 S * 4/2001 Vanderwilt D16/202
D444,728 S * 7/2001 Dohrmann D10/106.6

D447,973 S * 9/2001 Dohrmann D10/106.6
D677,297 S * 3/2013 Bart D16/203
D704,240 S * 5/2014 McBride D16/203
D734,801 S * 7/2015 Yang D16/202
D782,560 S * 3/2017 Li D16/208
D813,071 S * 3/2018 Siwak D10/106.5
D819,113 S * 5/2018 Li D16/218
D829,801 S * 10/2018 Park D16/203
D850,511 S * 6/2019 Matsumoto D16/218
D858,608 S * 9/2019 Shen D16/218
D875,806 S * 2/2020 Siwak D16/203

* cited by examiner

Primary Examiner — Ramzi S Almatrahi

(74) *Attorney, Agent, or Firm* — Frost Brown Todd LLC

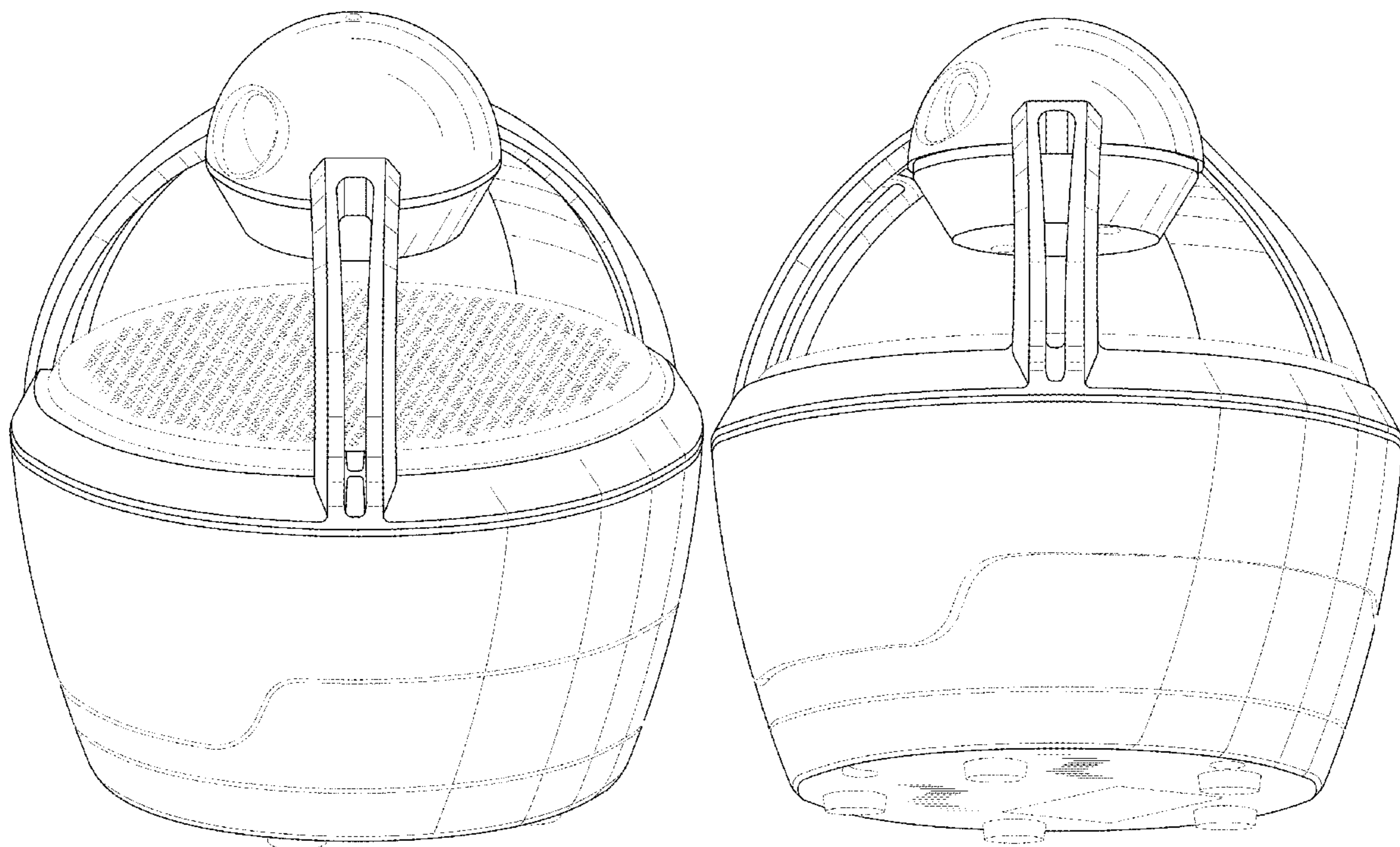
(57) **CLAIM**

The ornamental design for a security information capture device, as shown and described.

DESCRIPTION

FIG. 1 is a top and front perspective view of a security information capture device showing my new design; FIG. 2 is a bottom and front perspective view thereof; FIG. 3 is a front elevation view thereof; FIG. 4 is a rear elevation view thereof; FIG. 5 is a left side elevation view thereof; FIG. 6 is a right side elevation view thereof; FIG. 7 is a top plan view thereof; and, FIG. 8 is a bottom plan view thereof. The broken lines depict portions of the security information capture device in which the design is embodied that form no part of the claimed design.

1 Claim, 8 Drawing Sheets



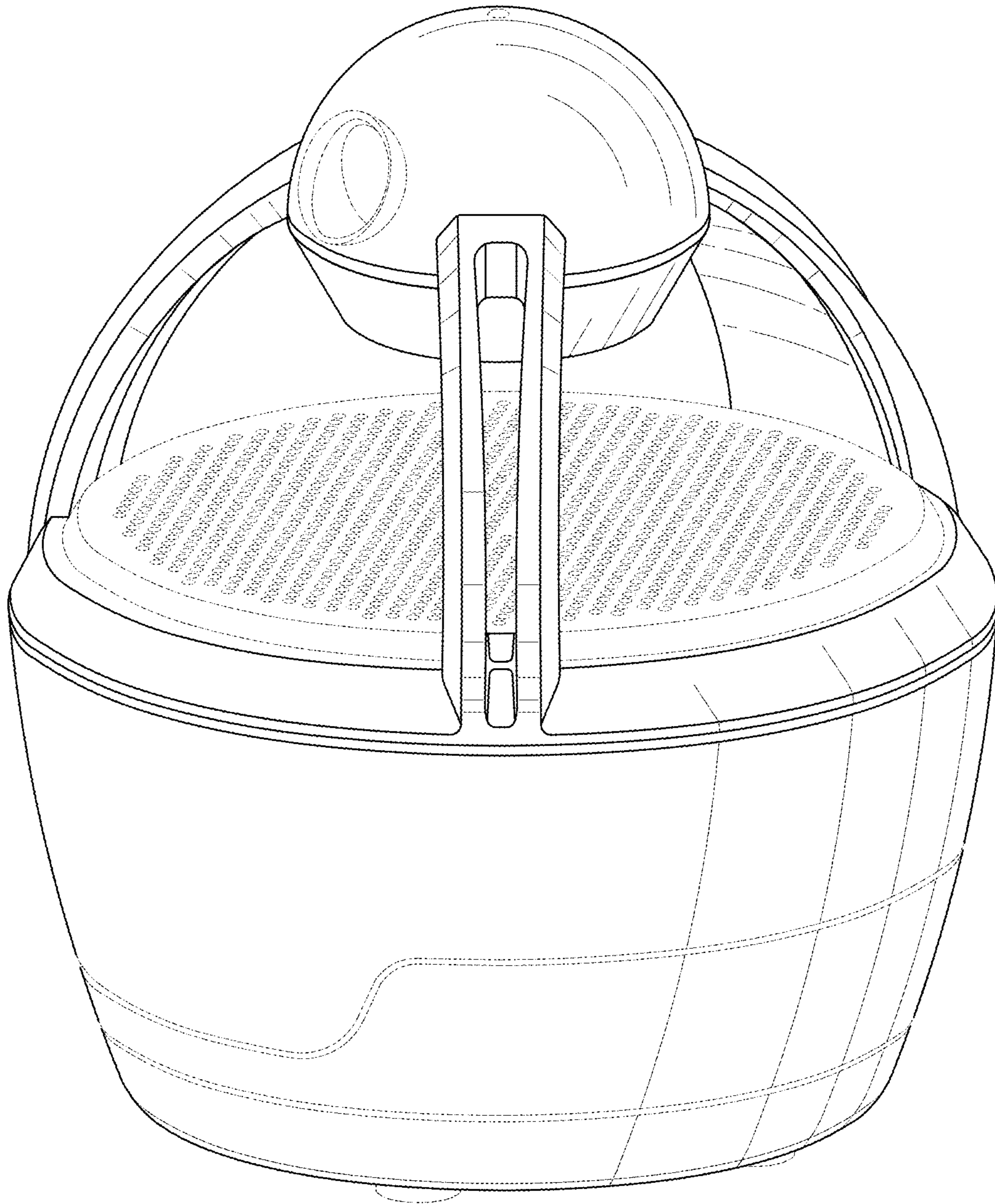


Fig. 1

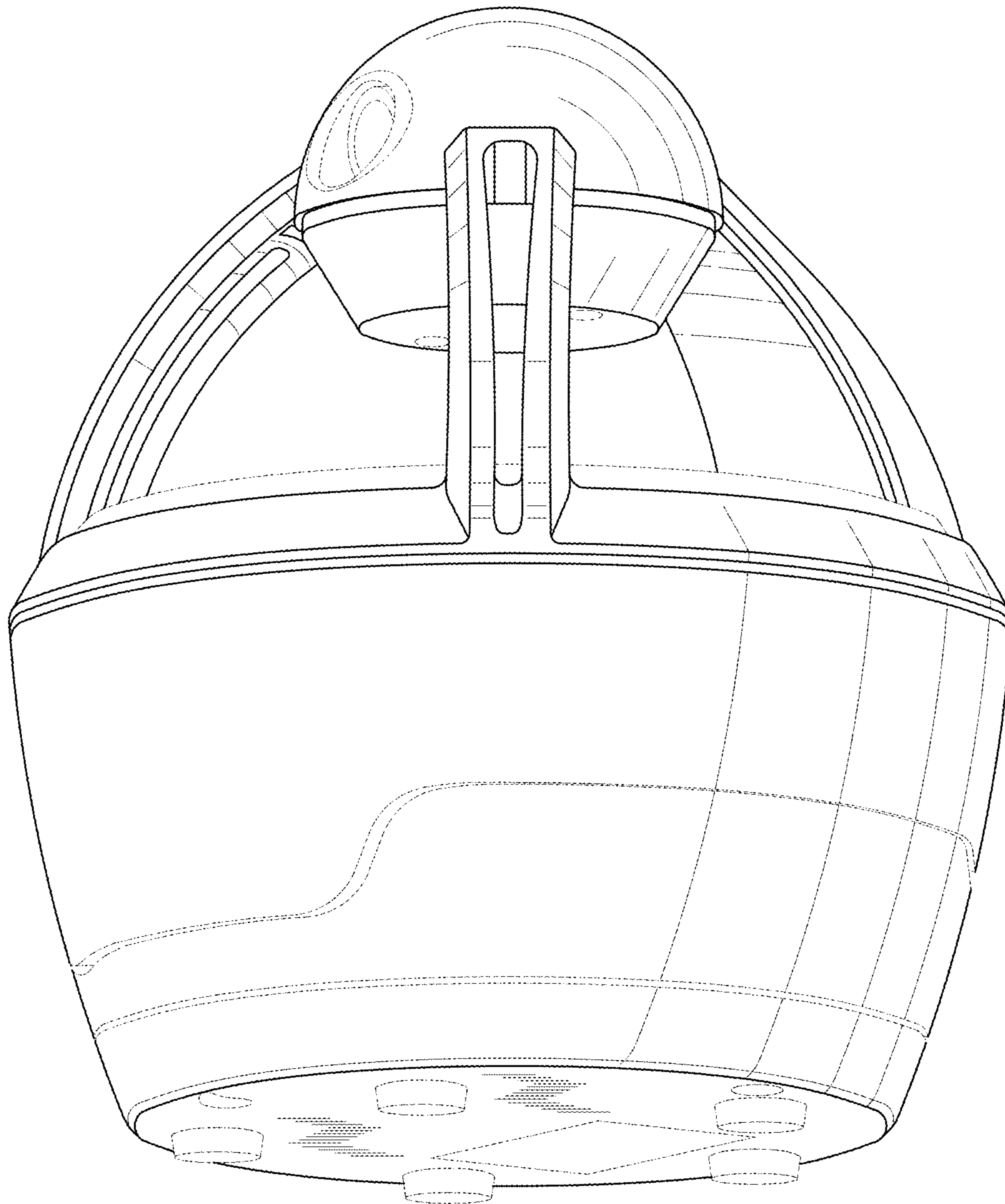


Fig. 2

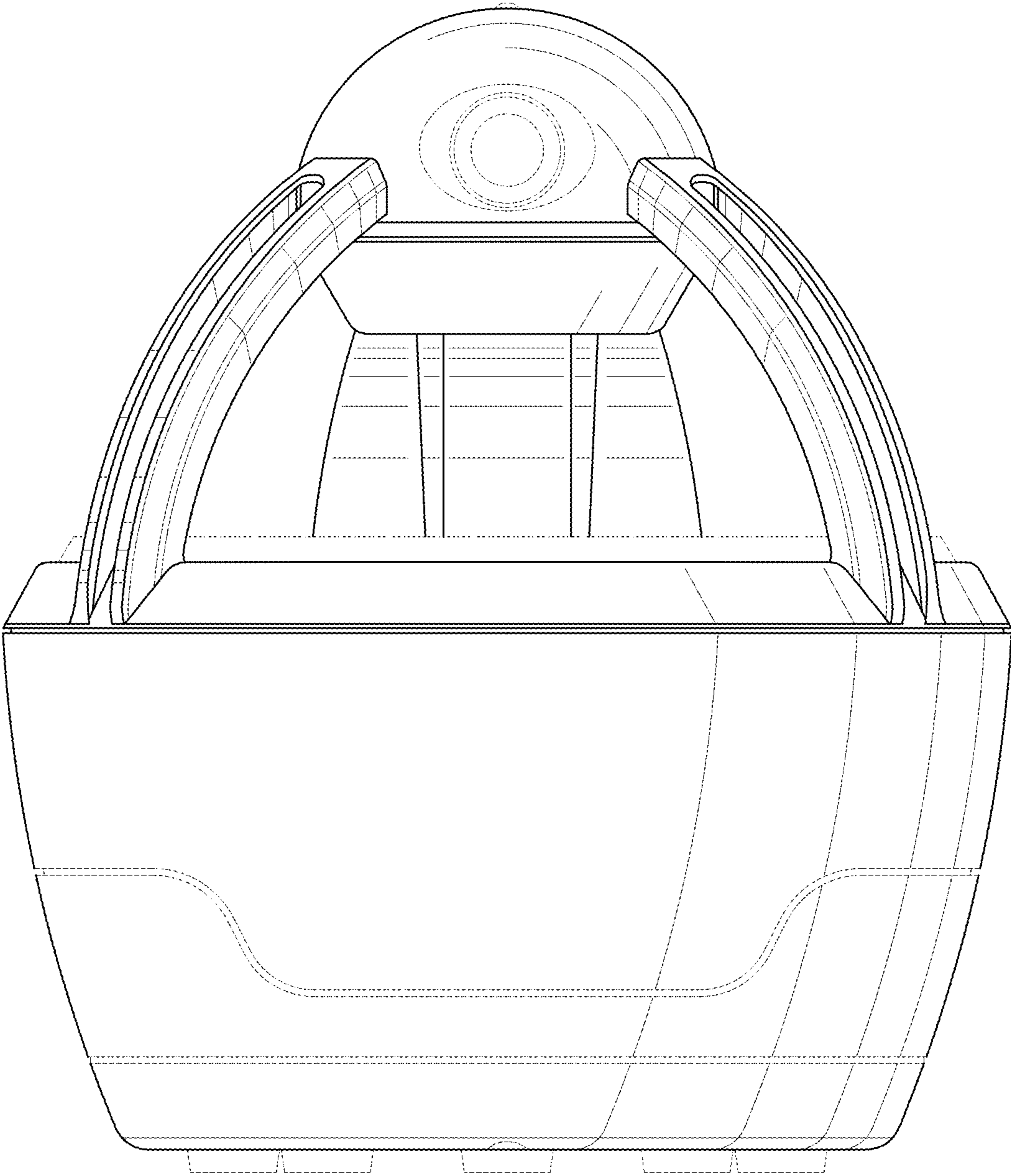


Fig. 3

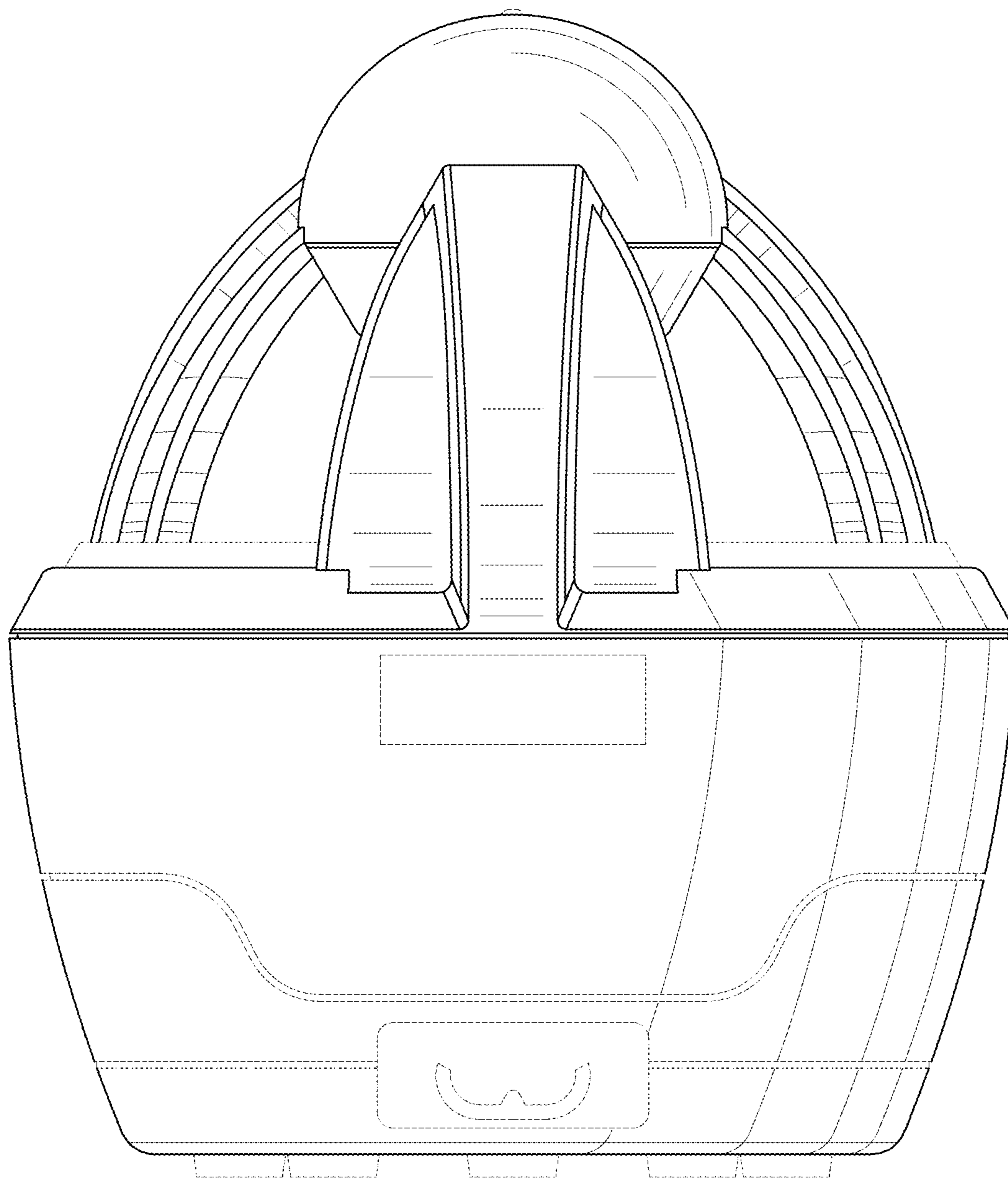


Fig. 4

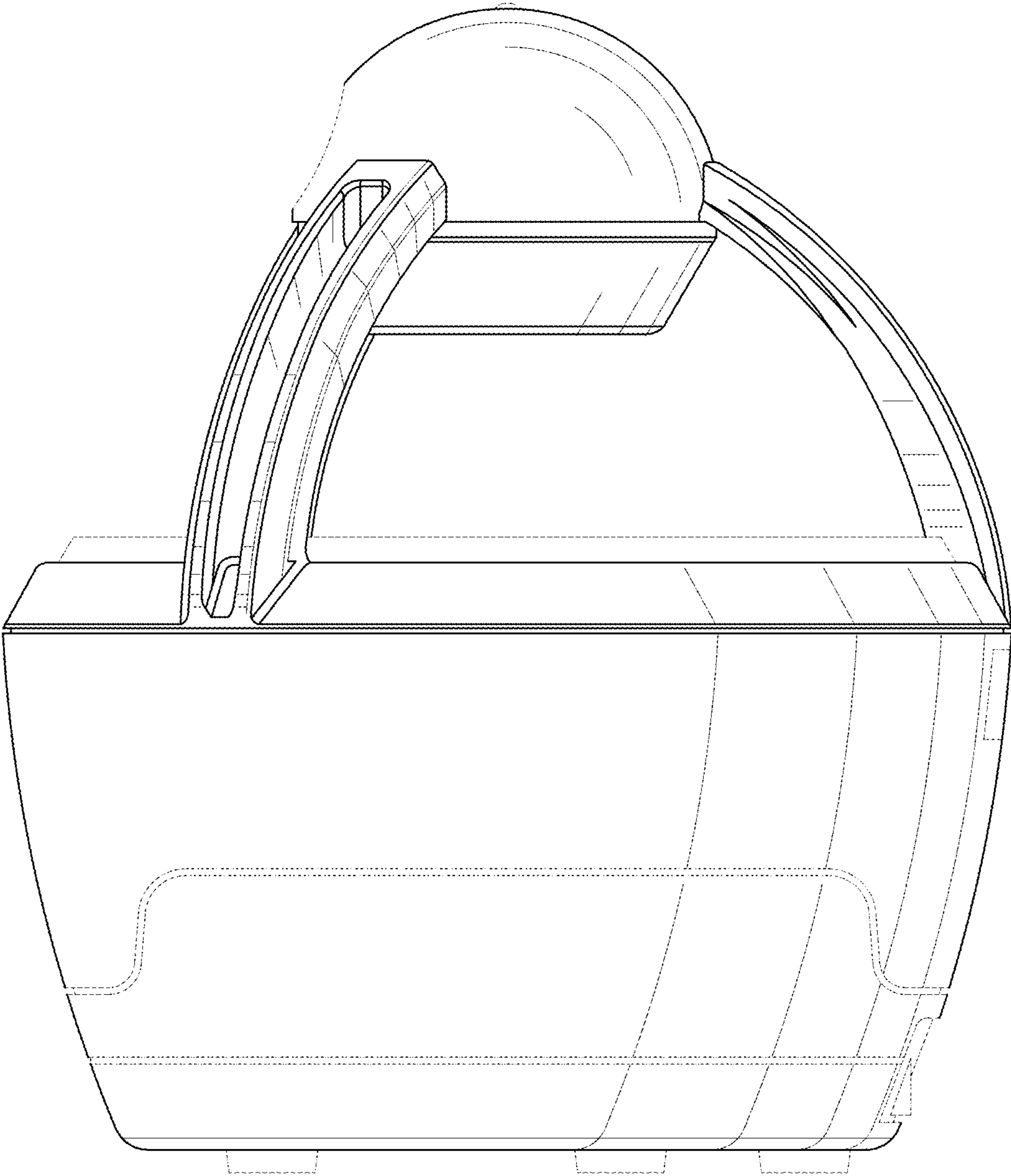


Fig. 5

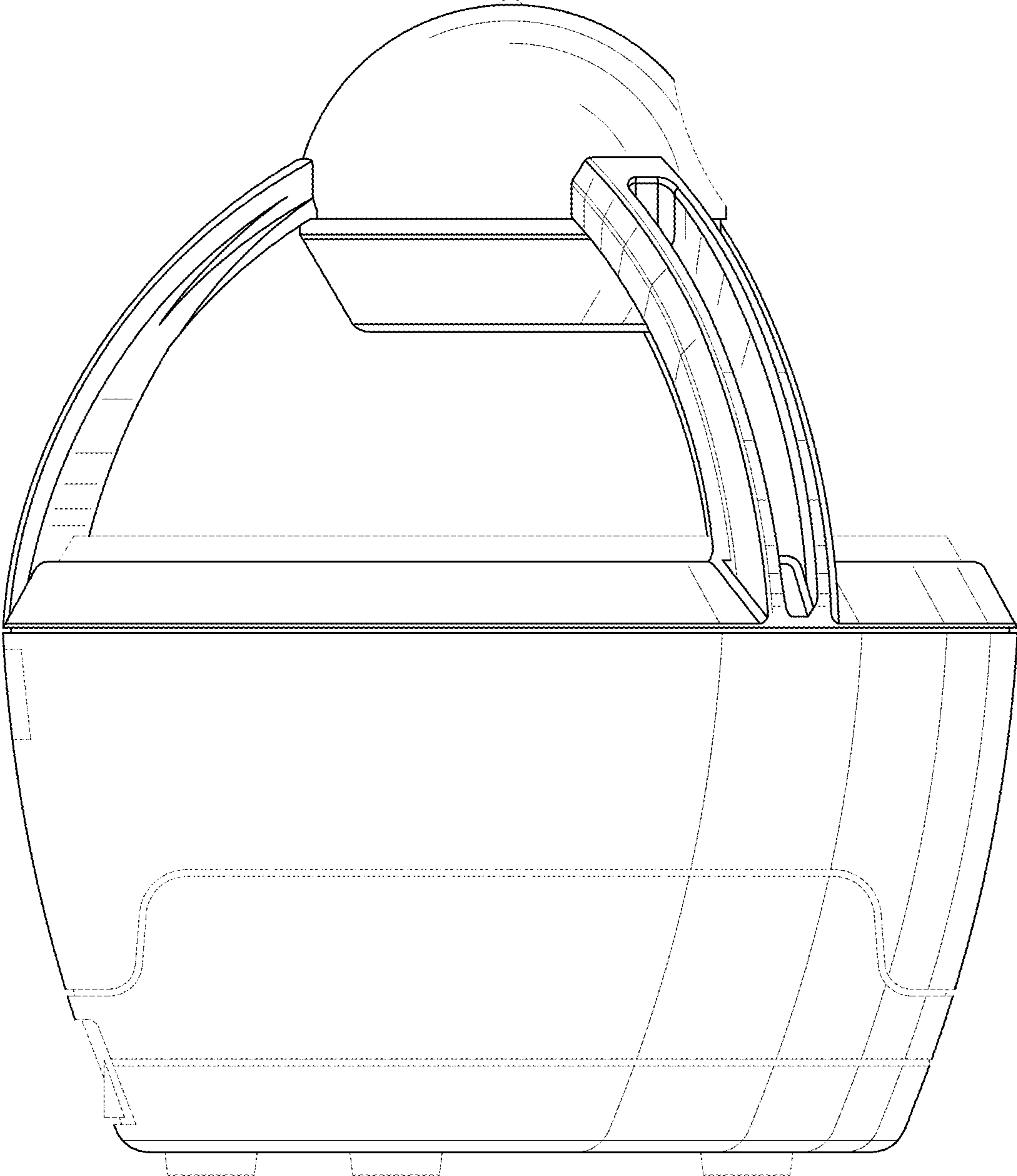


Fig. 6

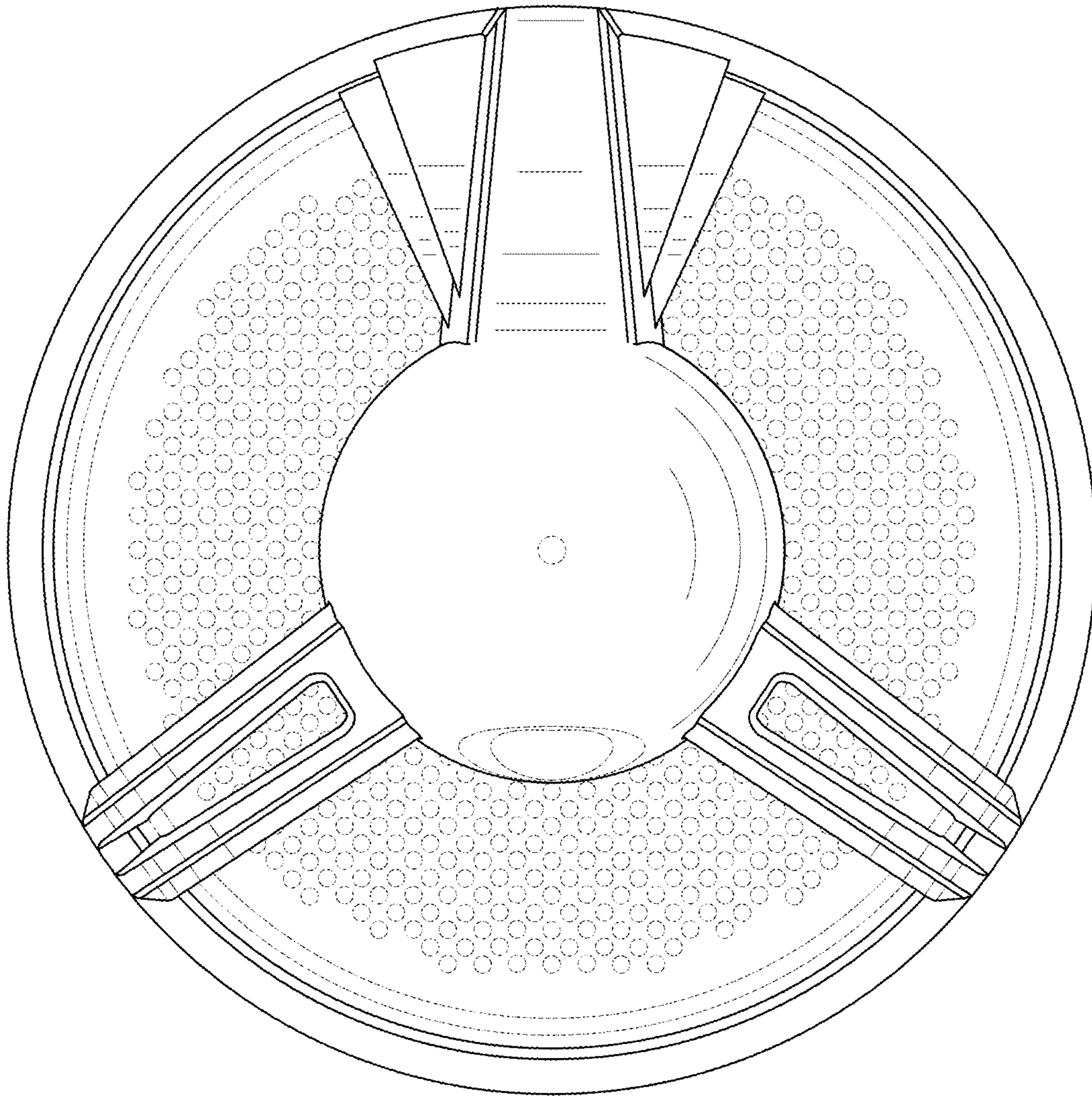


Fig. 7

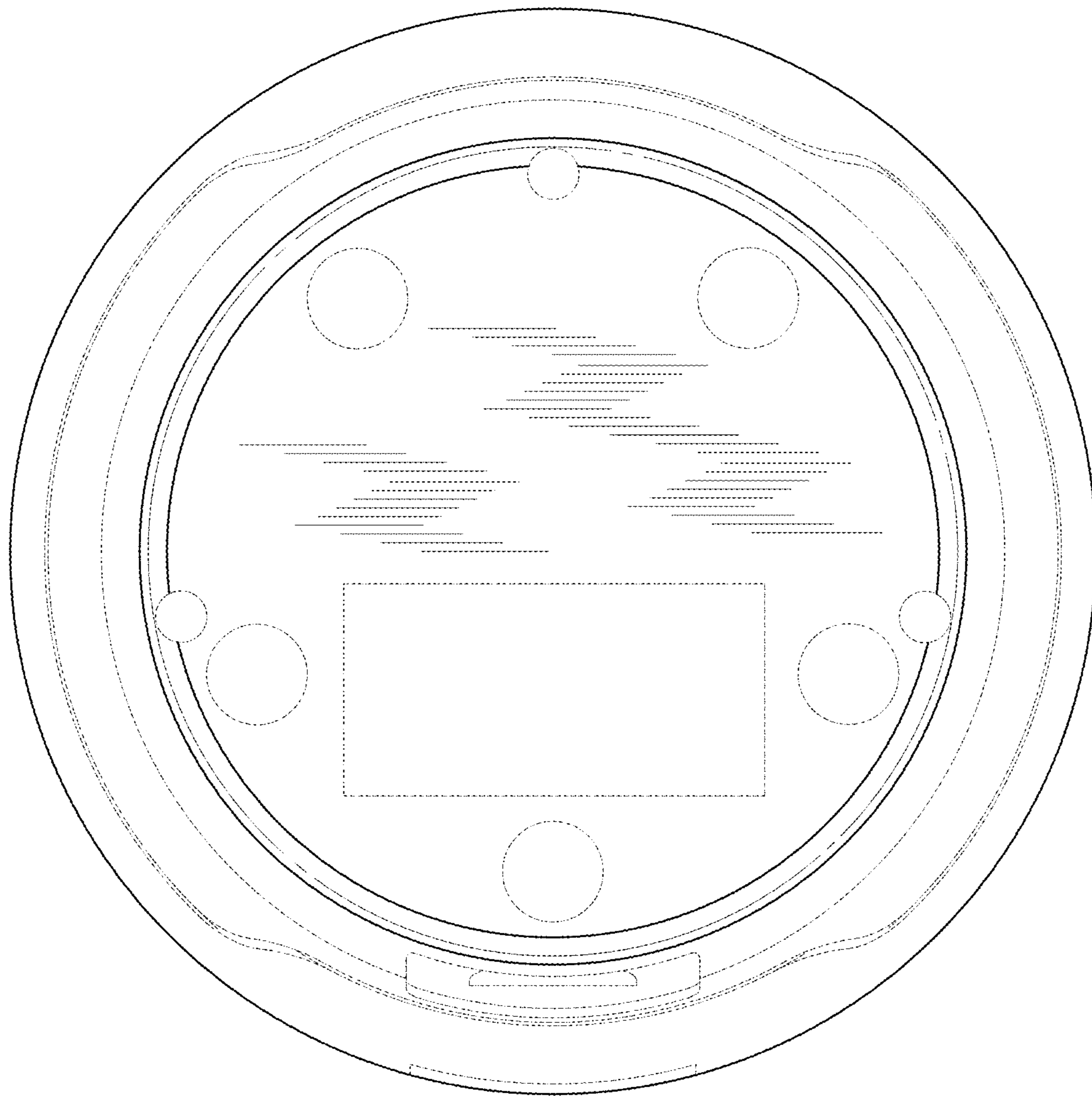


Fig. 8