



US00D886882S

(12) **United States Design Patent** (10) **Patent No.:** **US D886,882 S**  
**Ramones et al.** (45) **Date of Patent:** **\*\* Jun. 9, 2020**

(54) **CAMERA HOUSING**  
(71) Applicant: **Arlo Technologies, Inc.**, Carlsbad, CA (US)  
(72) Inventors: **John Kui Yin Ramones**, San Ramon, CA (US); **Christopher Vincent Fonzo**, Carlsbad, CA (US); **Beau Oyler**, Walnut Creek, CA (US); **Dayne Nathaniel Tanner**, Concord, CA (US)

D638,403 S \* 5/2011 Hoehn ..... D14/215  
D638,404 S \* 5/2011 Hoehn ..... D14/215  
D638,822 S \* 5/2011 Hoehn ..... D14/214  
D644,203 S \* 8/2011 Hoehn ..... D14/215  
D648,362 S \* 11/2011 Byun ..... D16/204  
D785,067 S \* 4/2017 Ramones ..... D16/203  
D803,924 S \* 11/2017 Martin ..... D16/218  
D813,925 S \* 3/2018 Park ..... D16/203  
D841,720 S \* 2/2019 Ramones ..... D16/237  
D863,398 S \* 10/2019 Huang ..... D16/203  
D863,404 S \* 10/2019 Karpenko ..... D16/218

(73) Assignee: **Arlo Technologies, Inc.**, Carlsbad, CA (US)

(\*\*) Term: **15 Years**

(21) Appl. No.: **29/673,606**

(22) Filed: **Dec. 17, 2018**

(51) **LOC (12) Cl.** ..... **16-01**

(52) **U.S. Cl.**  
USPC ..... **D16/202**

(58) **Field of Classification Search**  
USPC ..... D16/200, 202–208, 218, 219; D14/167, D14/172, 188, 194, 204, 210–216, 221; 181/144, 148, 153, 157, 198; 369/6–12; 381/301–303, 306, 332, 334, 336, 345, 381/361–363  
CPC ..... G03B 17/02; G03B 19/04; G03B 17/56; G03B 17/04; G03B 15/03; H04N 5/2251; H04N 5/2252; H04N 5/2253; H04N 5/2254; H04N 7/181; H04N 7/183; H04N 7/18; G08B 13/1963; G08B 13/19619; G08B 13/19632

See application file for complete search history.

(56) **References Cited**

**U.S. PATENT DOCUMENTS**

D455,768 S \* 4/2002 Tsang ..... D16/202  
D532,809 S \* 11/2006 Shih ..... D16/218

**OTHER PUBLICATIONS**

Design U.S. Appl. No. 29/673,659, filed Dec. 17, 2018 (12 pages).

\* cited by examiner

*Primary Examiner* — Ramzi S Almatrahi

(74) *Attorney, Agent, or Firm* — Boyle Fredrickson S.C.

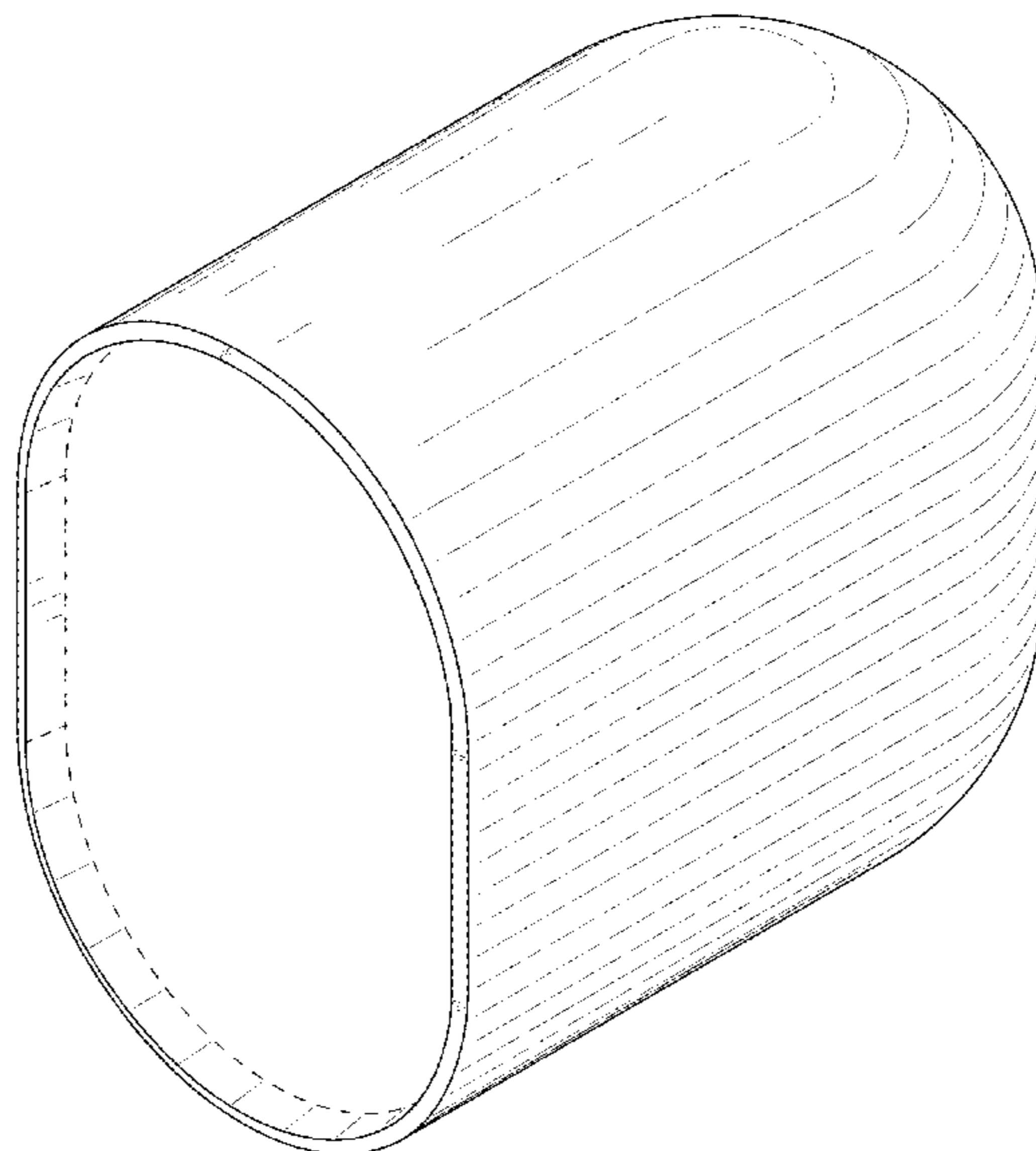
(57) **CLAIM**

The ornamental design for a camera housing, as shown and described.

**DESCRIPTION**

FIG. 1 is a top, front, right side perspective view of a camera housing showing our new design;  
FIG. 2 is a front elevation view thereof;  
FIG. 3 is a rear elevation view thereof;  
FIG. 4 is a right-side elevation view thereof;  
FIG. 5 is a left-side elevation view thereof;  
FIG. 6 is a top plan view thereof; and,  
FIG. 7 is a bottom plan view thereof.  
The broken lines in FIGS. 1-7 denote the boundary of the claim and form no part of the claimed design.

**1 Claim, 7 Drawing Sheets**



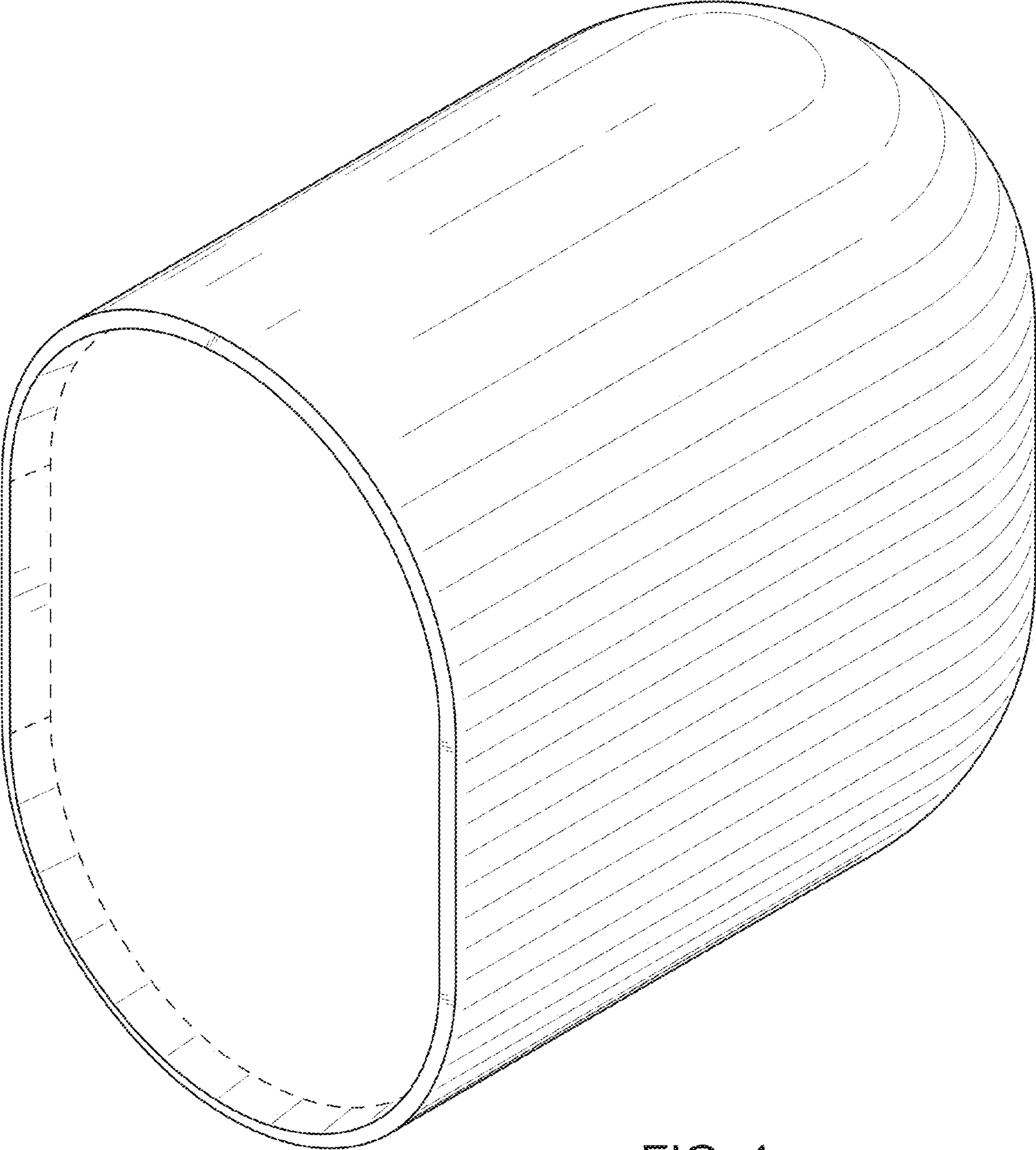


FIG. 1

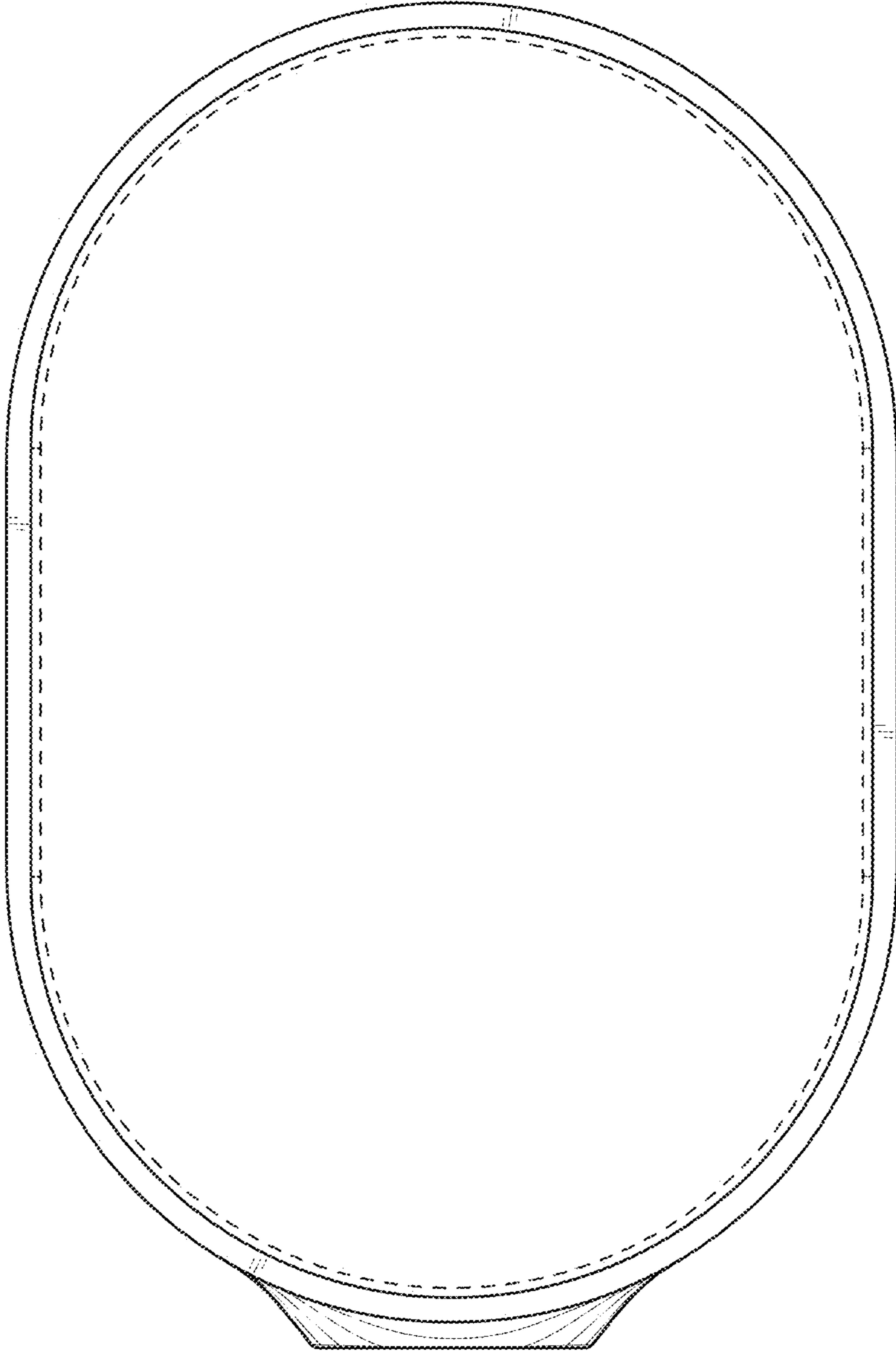


FIG. 2

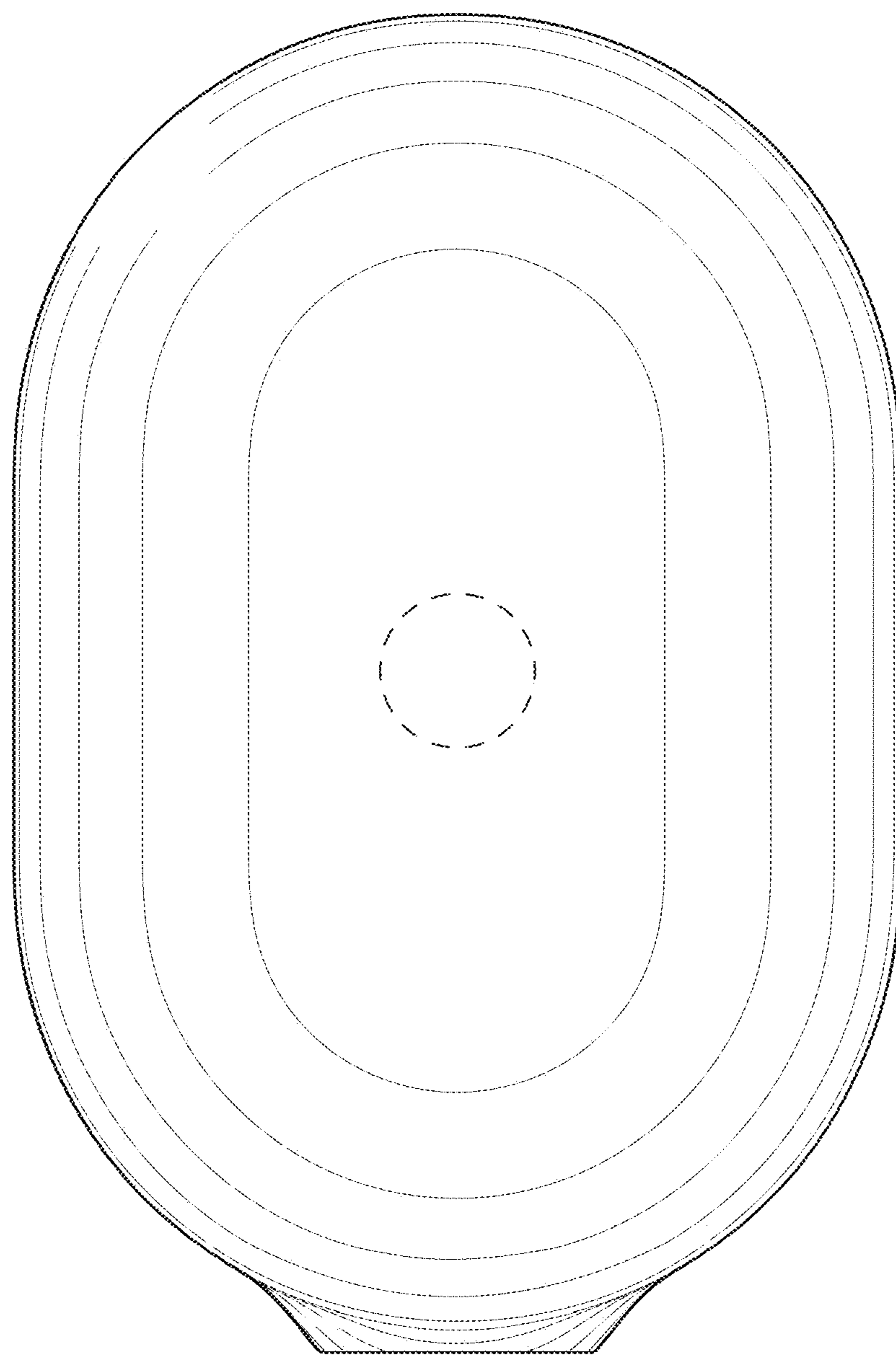


FIG. 3

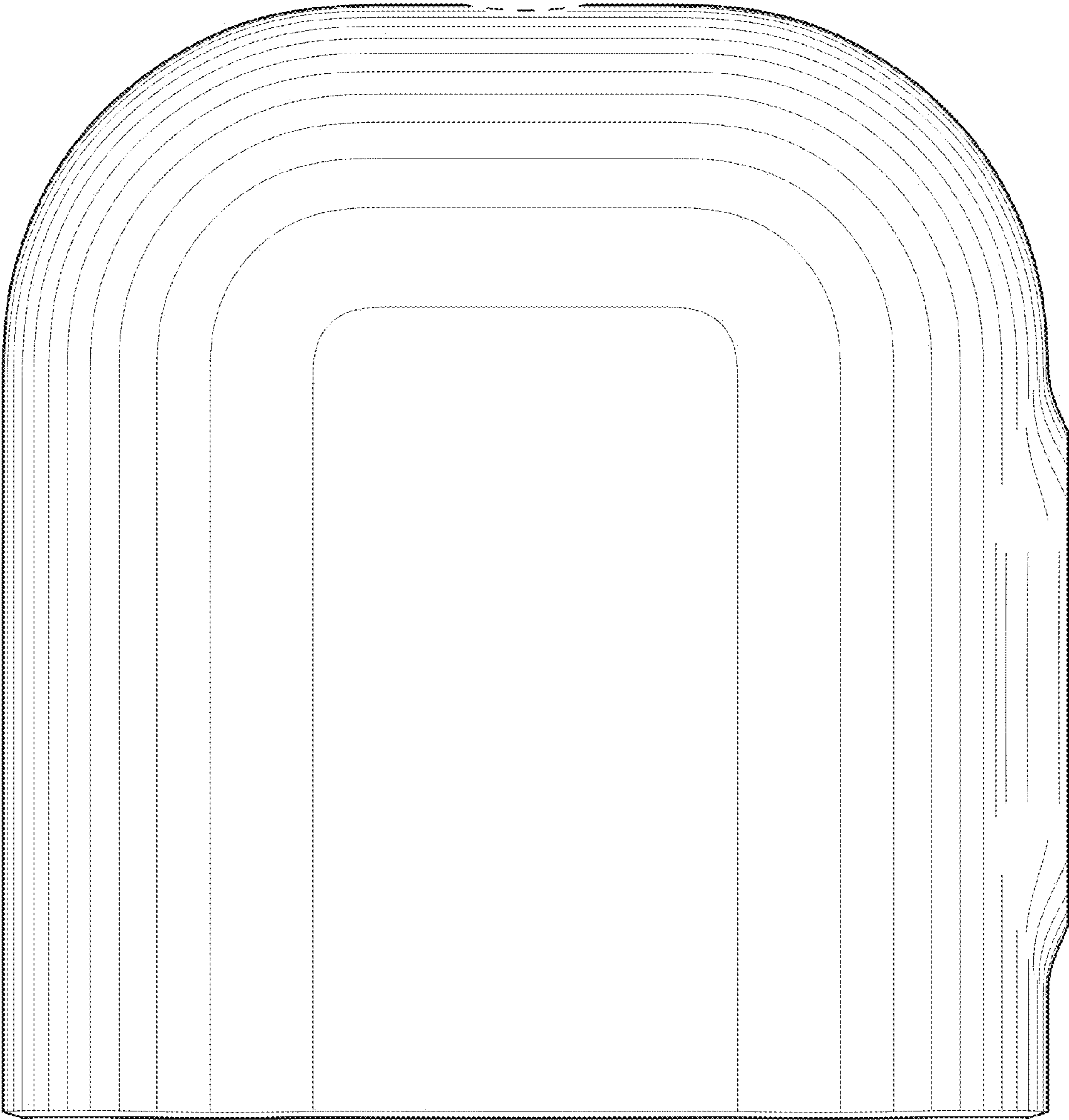


FIG. 4

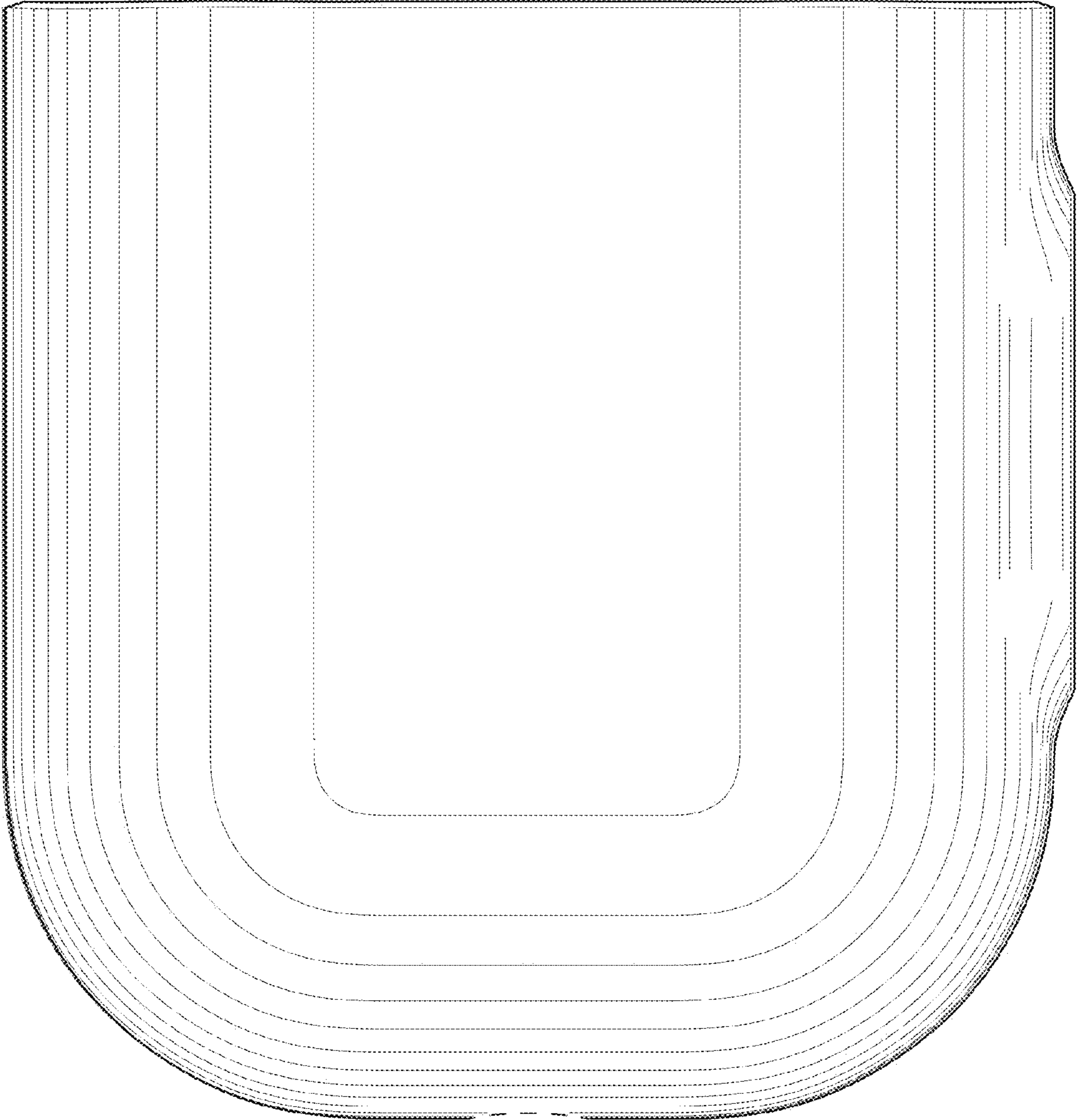


FIG. 5

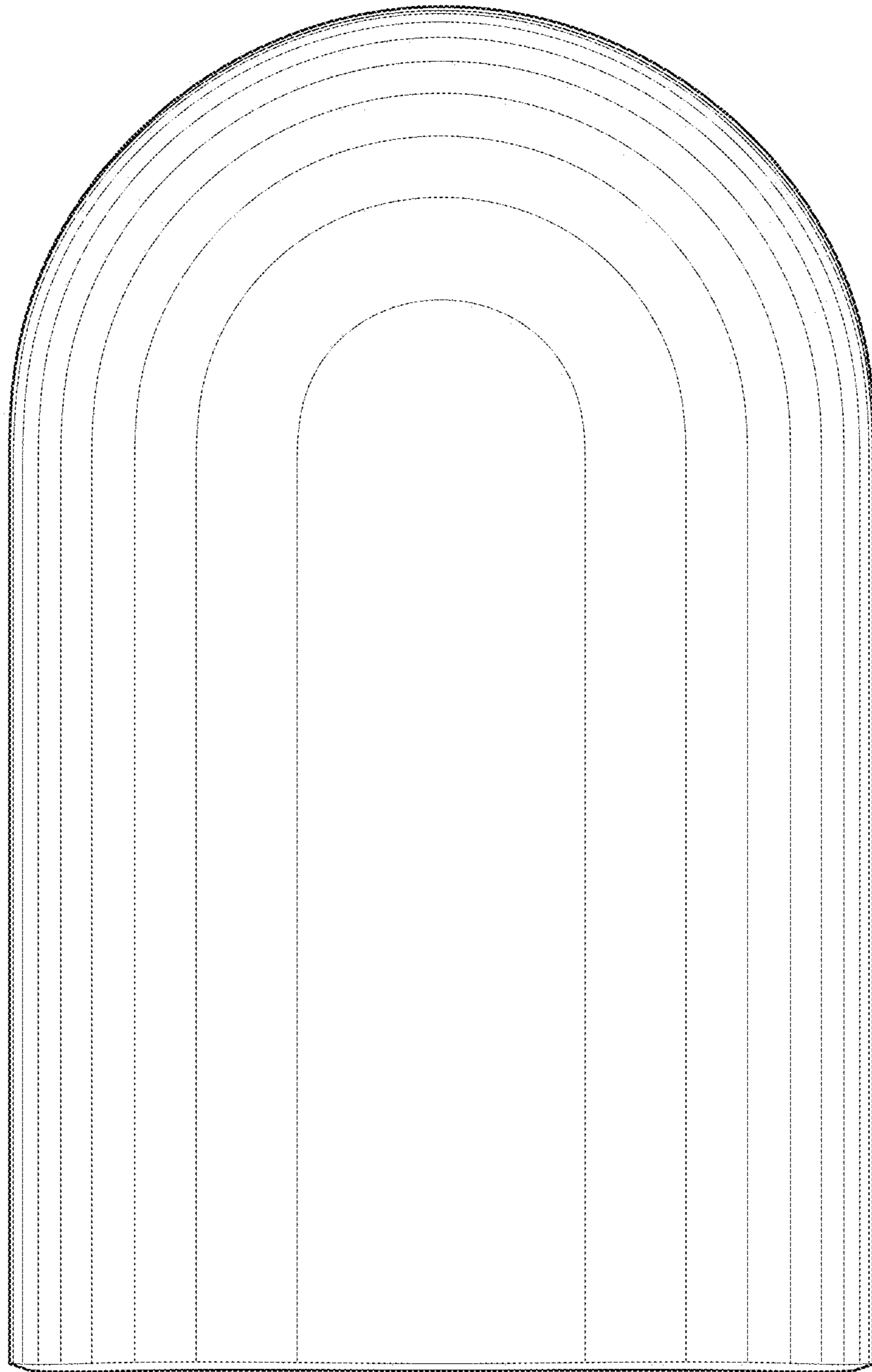


FIG. 6

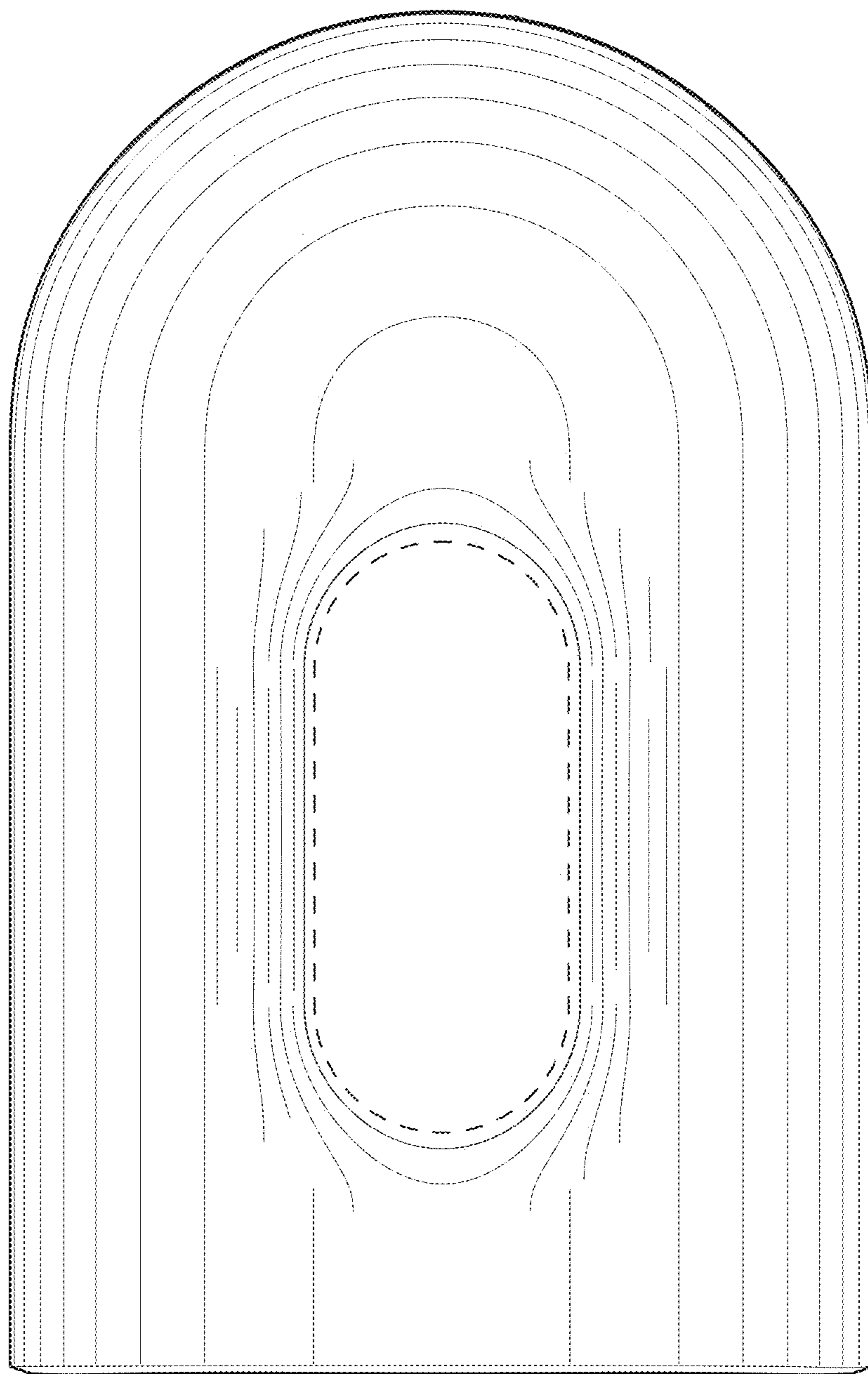


FIG. 7