



US00D886881S

(12) **United States Design Patent**
Wang

(10) **Patent No.:** **US D886,881 S**

(45) **Date of Patent:** **** Jun. 9, 2020**

(54) **CAMERA**

(71) Applicant: **AUTEL ROBOTICS CO., LTD.**,
Shenzhen (CN)

(72) Inventor: **Yongshuai Wang**, Shenzhen (CN)

(73) Assignee: **AUTEL ROBOTICS CO., LTD.**,
Shenzhen (CN)

(**) Term: **15 Years**

(21) Appl. No.: **29/639,589**

(22) Filed: **Mar. 7, 2018**

(30) **Foreign Application Priority Data**

Sep. 8, 2017 (CN) 2017 3 0425565

(51) **LOC (12) Cl.** **16-01**

(52) **U.S. Cl.**
USPC **D16/202**

(58) **Field of Classification Search**
USPC D12/16.1; D14/124, 125, 126, 129, 133,
D14/314, 317, 336, 348–351, 356, 420;
D16/131, 135, 136, 200, 201, 202, 203,
D16/205–221, 225, 232, 235, 241;
348/373–376; 396/535, 539–541
CPC G03B 15/03; G03B 17/02; G03B 17/04;
G03B 17/56; G03B 19/04; H04N
5/2251–2254; H04N 2101/00
See application file for complete search history.

(56) **References Cited**

U.S. PATENT DOCUMENTS

D359,061 S * 6/1995 Omi D16/136
D470,875 S * 2/2003 Liao D16/202

D509,842 S * 9/2005 Ou D16/202
D520,548 S * 5/2006 Tsai D16/203
D542,319 S * 5/2007 Ishida D16/202
D576,653 S * 9/2008 Malthouse D16/203
D608,811 S * 1/2010 Frank D16/203
D634,345 S * 3/2011 Kim D16/203
D634,767 S * 3/2011 Ko D16/203
D649,175 S * 11/2011 Willis D16/242
D708,654 S * 7/2014 Tani D16/203
D710,452 S * 8/2014 Barajas D12/16.1
D718,360 S * 11/2014 Matoba D16/203
D719,204 S * 12/2014 Nakanishi D16/203
D723,604 S * 3/2015 Mohan D16/203
D753,205 S * 4/2016 Stark D16/203
D753,206 S * 4/2016 Ravat D16/203
D762,131 S * 7/2016 Hays D10/106.7
D771,173 S * 11/2016 Hinkel D16/203
D776,739 S * 1/2017 Urashima D16/203

* cited by examiner

Primary Examiner — Ramzi S Almatrahi

(57) **CLAIM**

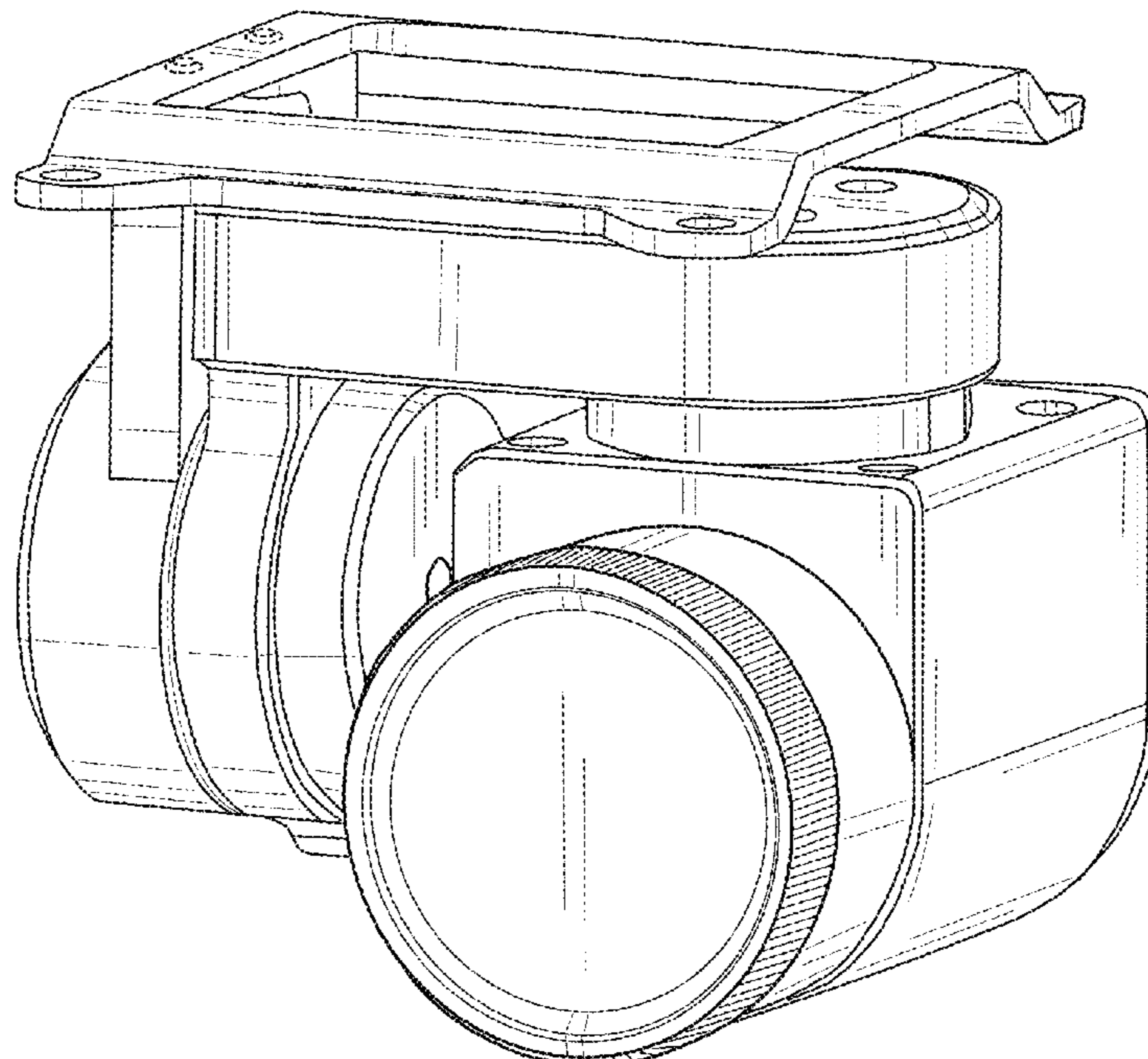
The ornamental design for a camera, as shown and described.

DESCRIPTION

FIG. 1 is a front perspective view of a camera showing my new design;
FIG. 2 is a front elevational view thereof;
FIG. 3 is a rear elevational view thereof;
FIG. 4 is a left side elevational view thereof;
FIG. 5 is a right side elevational view thereof;
FIG. 6 is a top plan view thereof; and,
FIG. 7 is a bottom plan view thereof.

The broken lines depict portions of the camera in which the design is embodied that form no part of the claimed design.

1 Claim, 5 Drawing Sheets



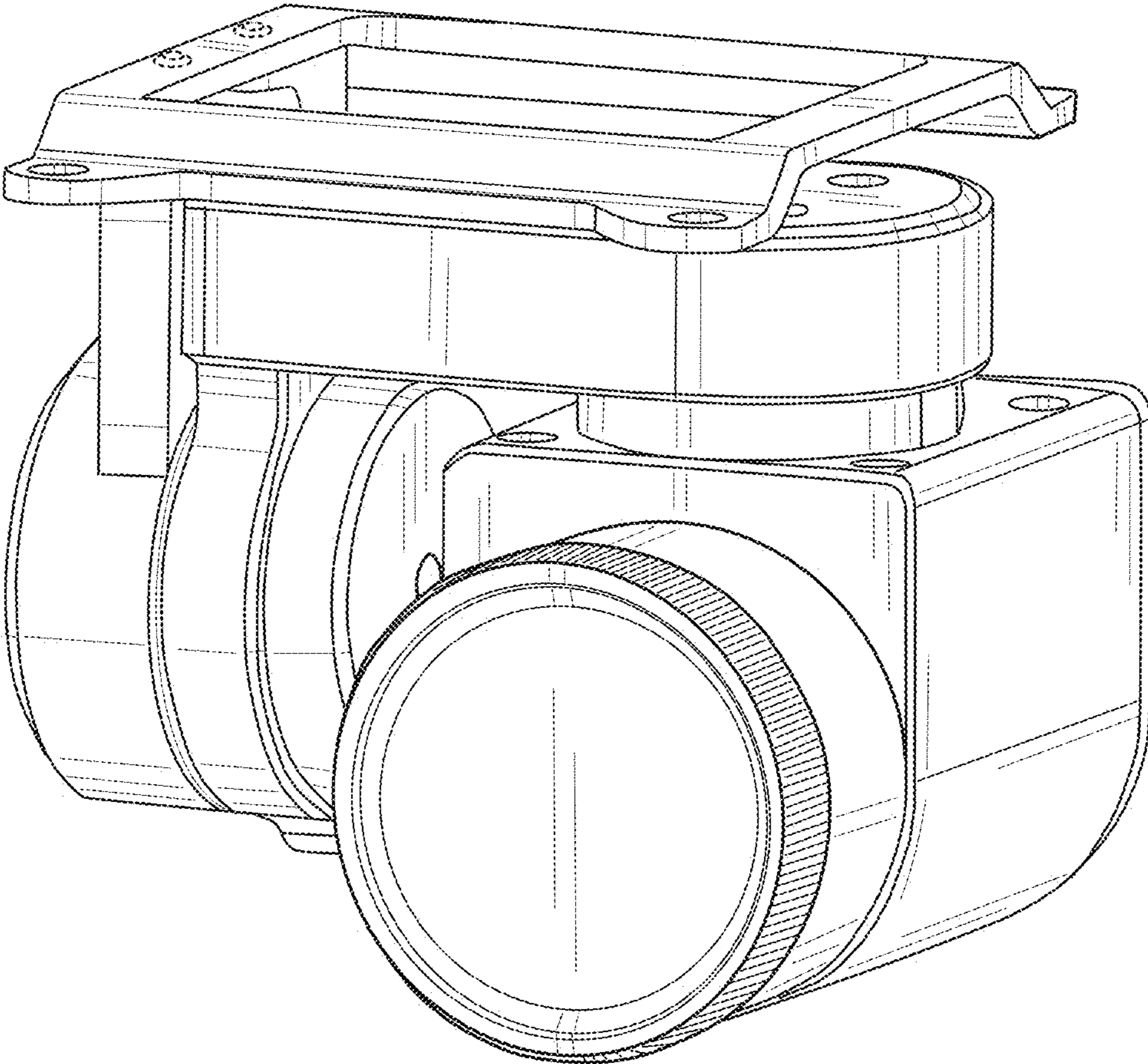


FIG. 1

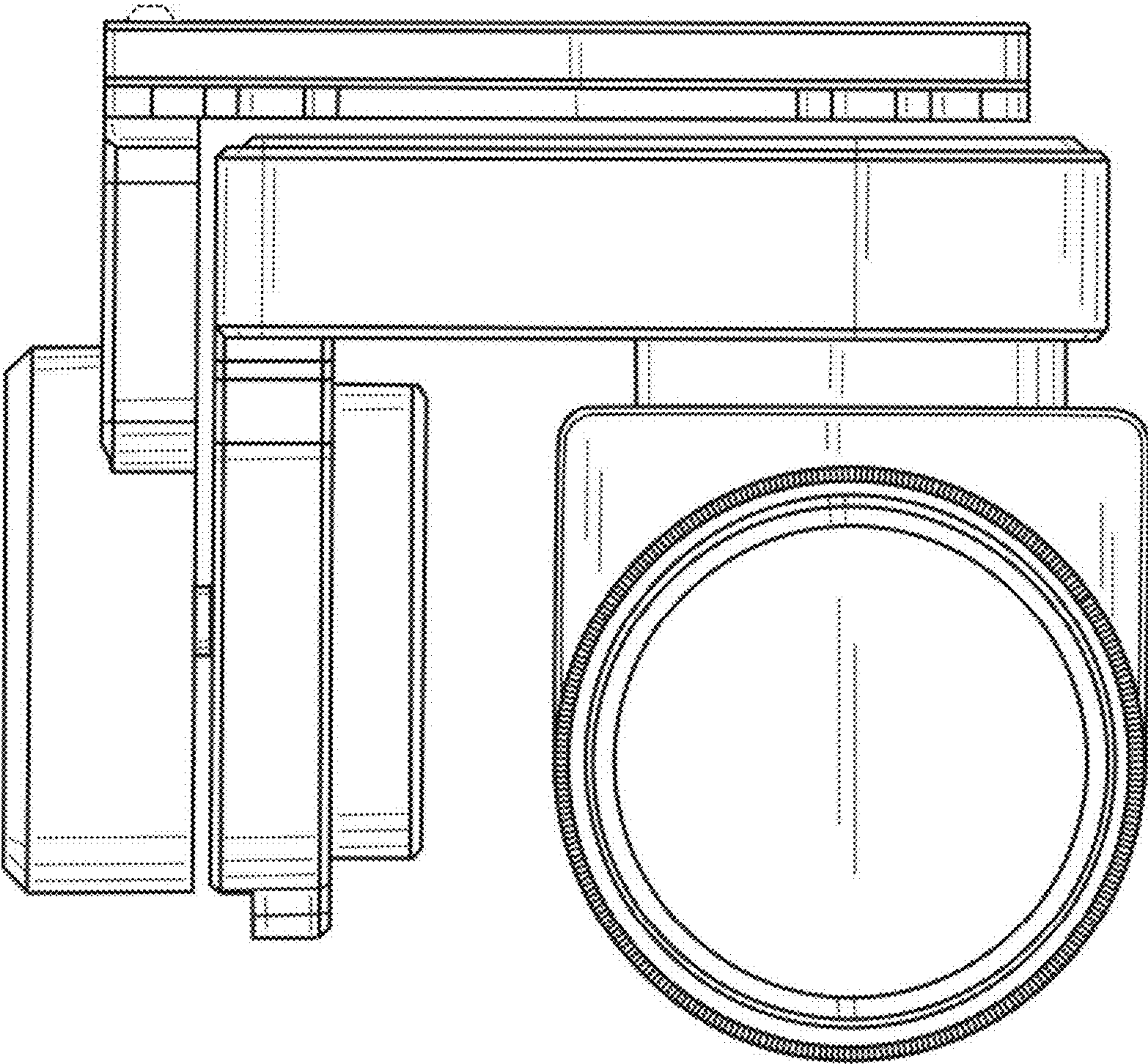
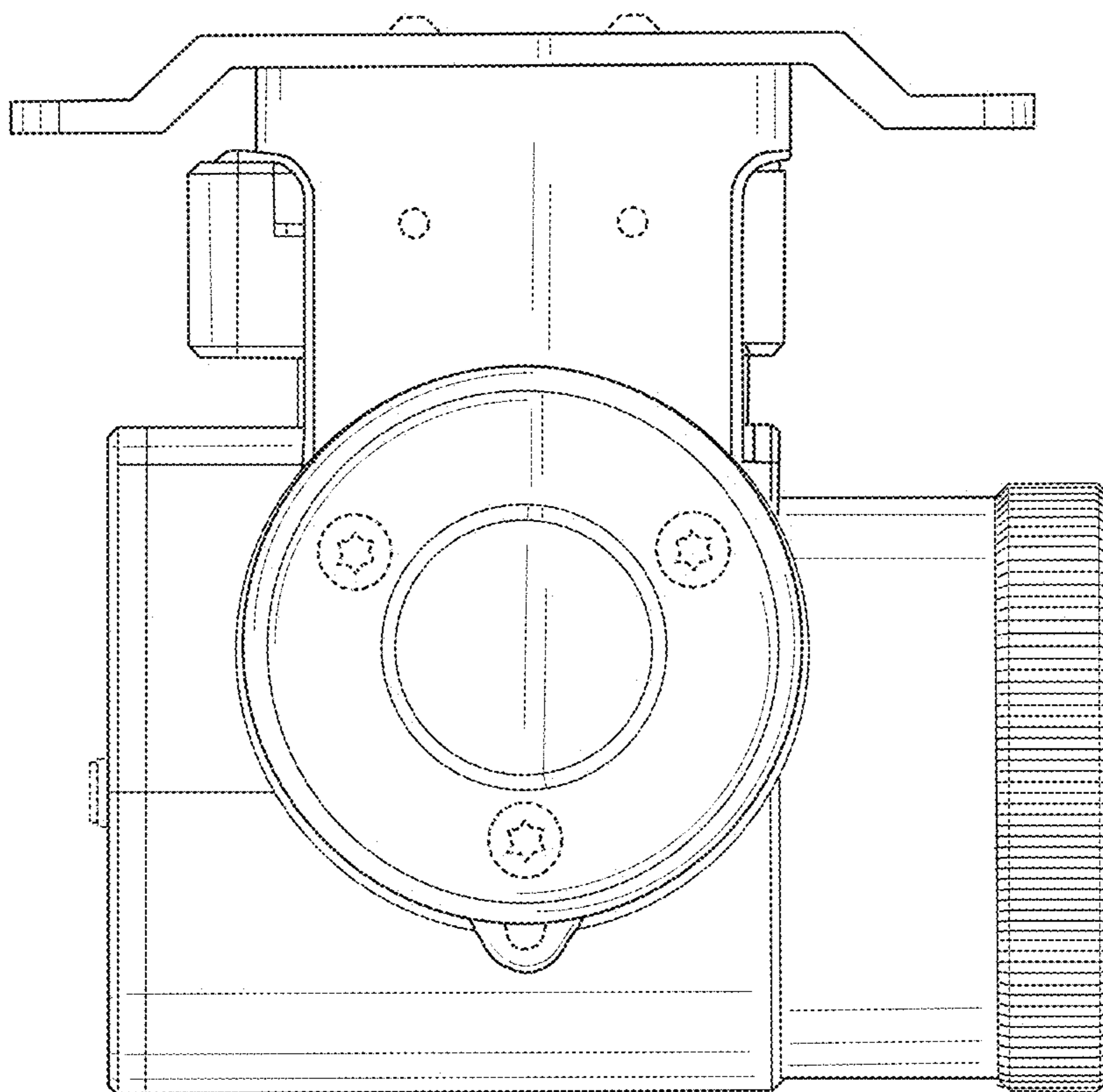
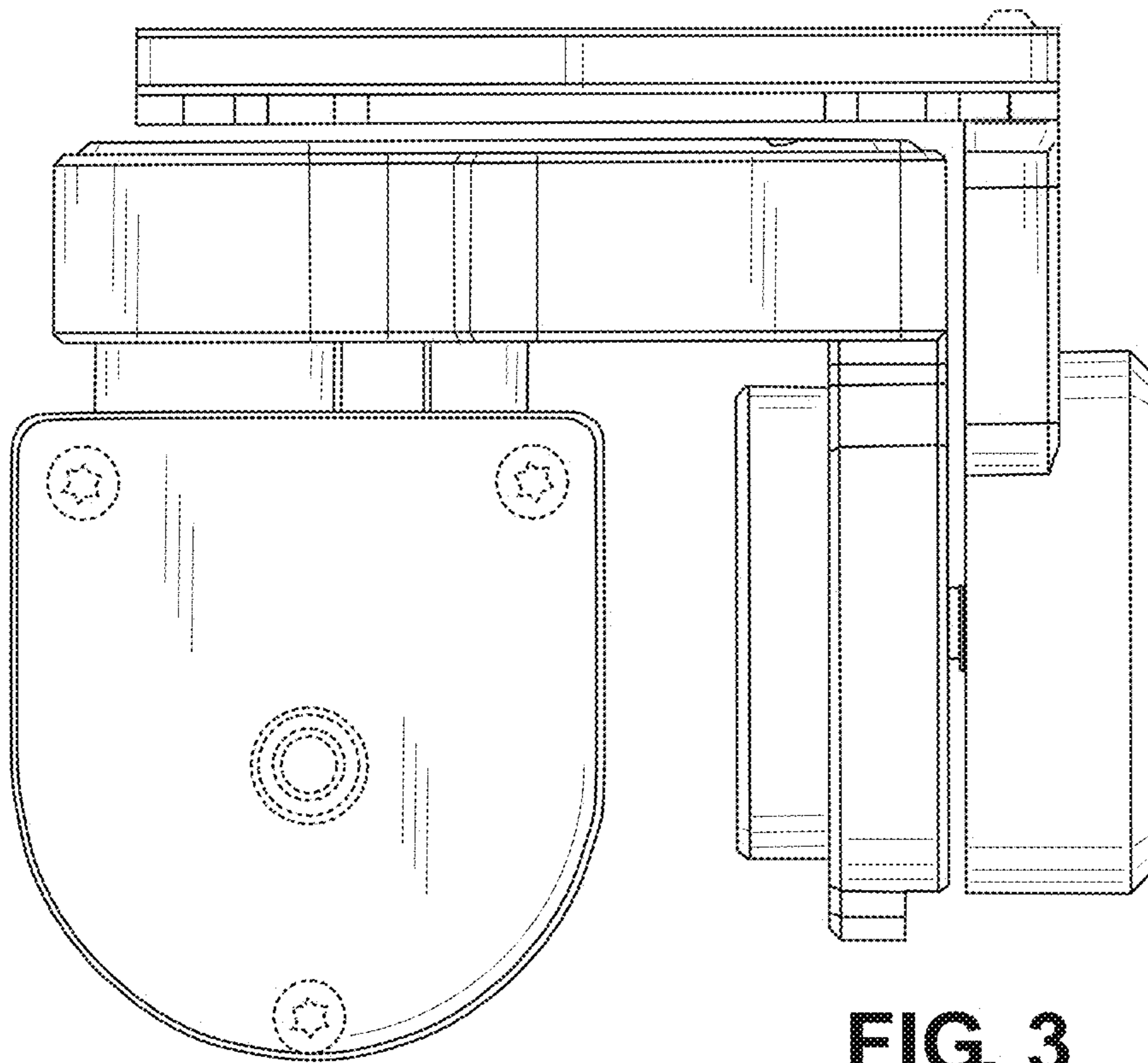


FIG. 2



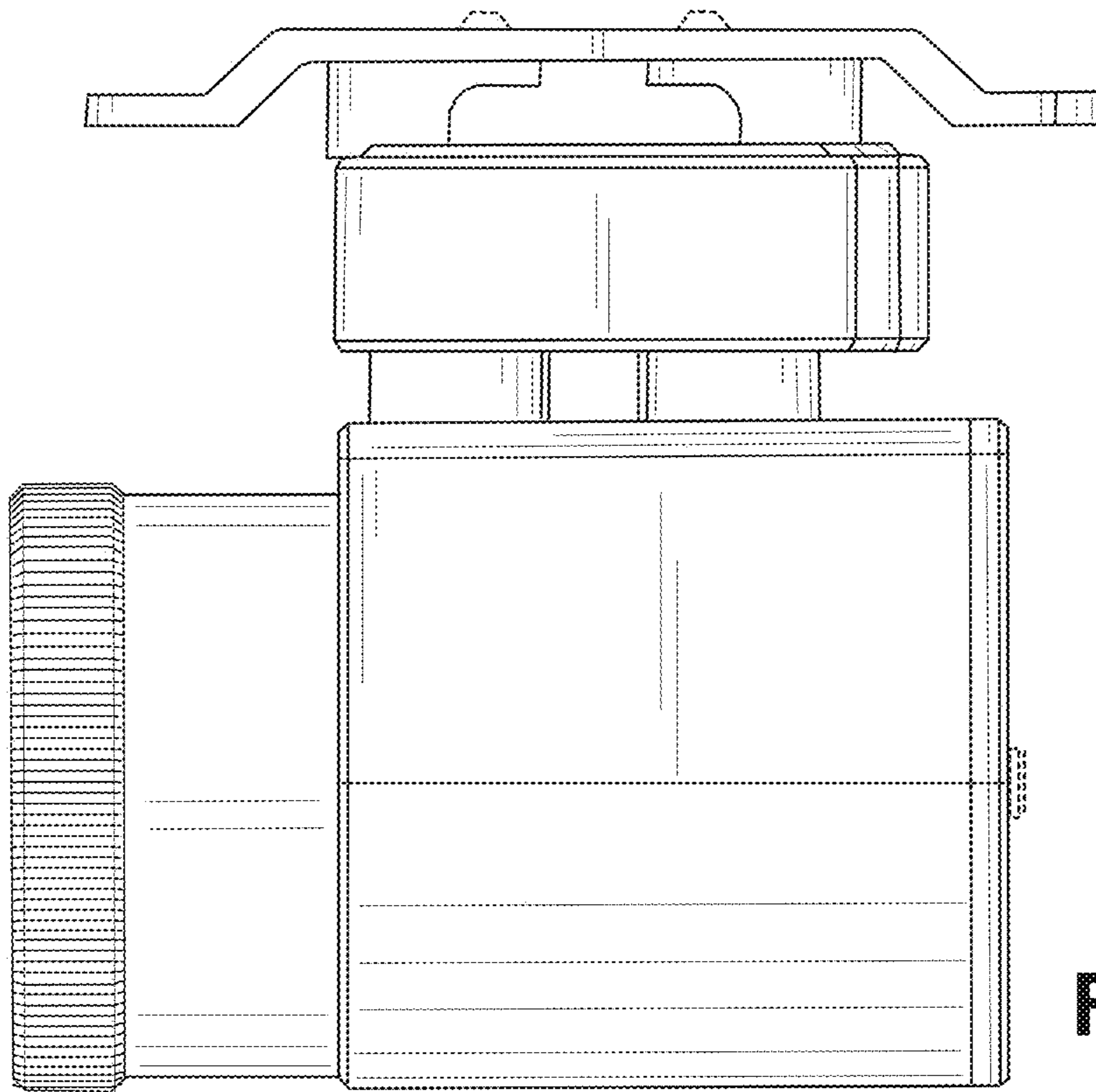


FIG. 5

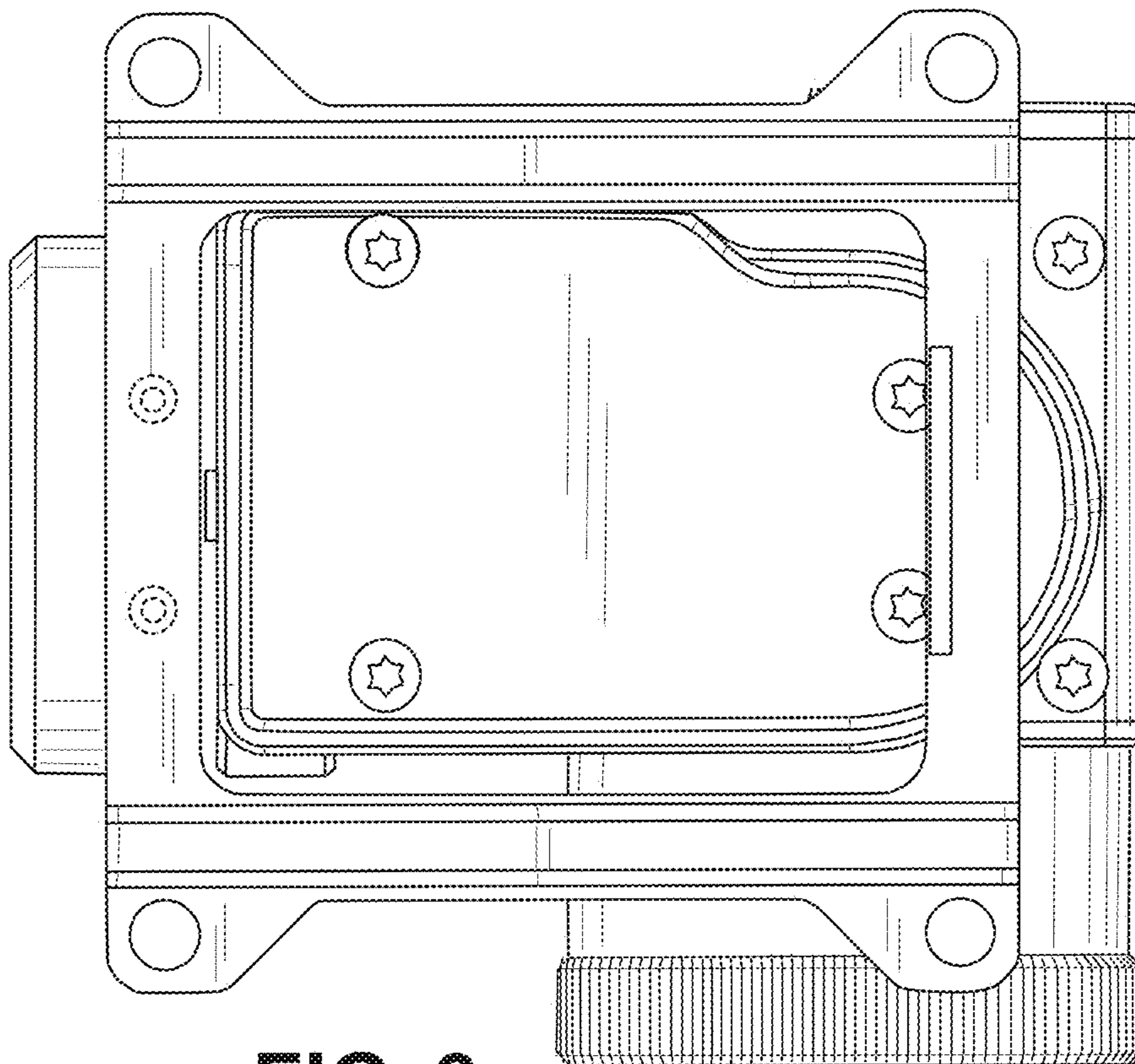


FIG. 6

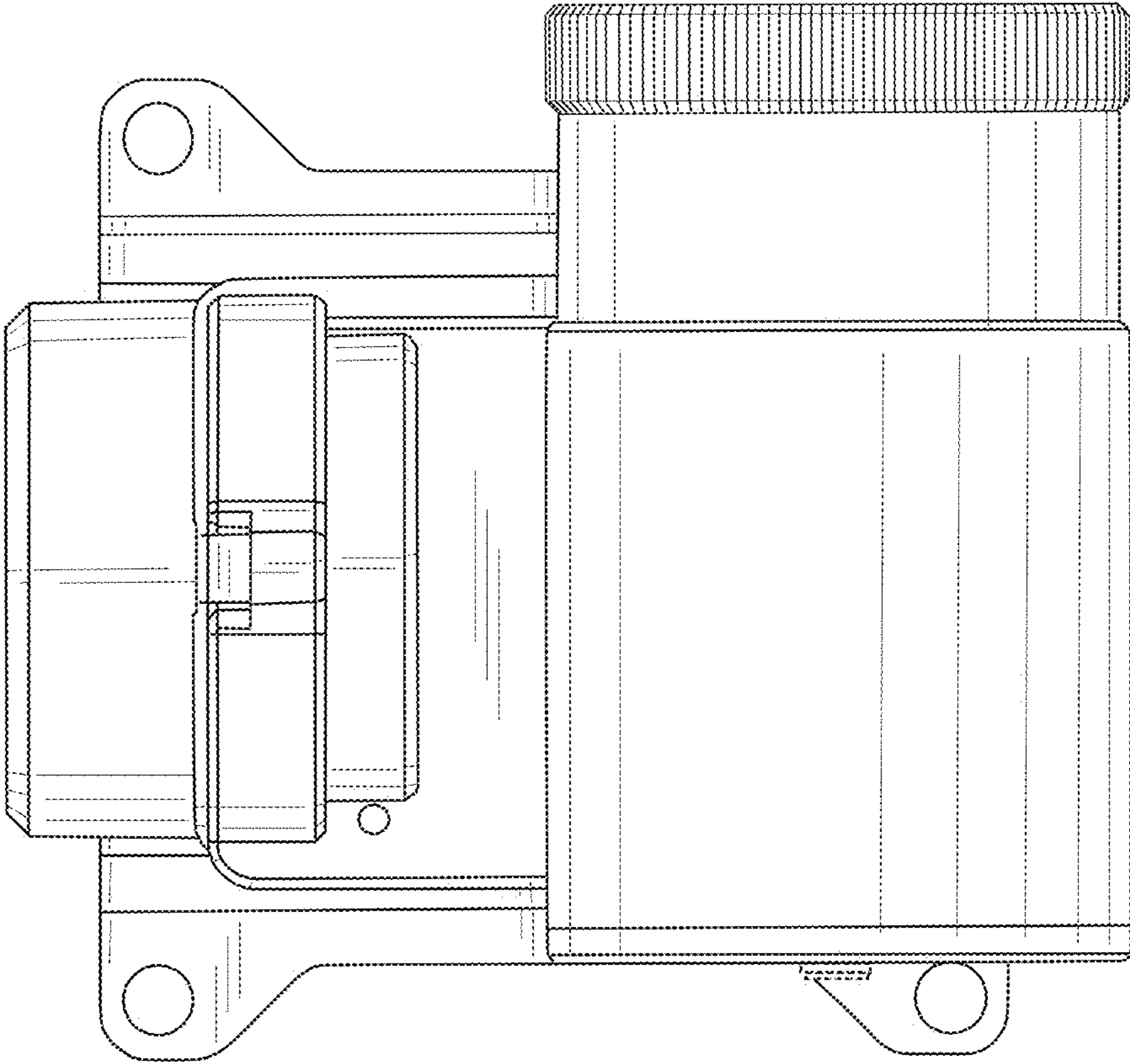


FIG. 7