



US00D886879S

(12) **United States Design Patent**
Liu

(10) **Patent No.:** **US D886,879 S**
(45) **Date of Patent:** **** Jun. 9, 2020**

- (54) **WATCH WINDER**
- (71) Applicant: **Ting Liu**, Guangdong (CN)
- (72) Inventor: **Ting Liu**, Guangdong (CN)
- (73) Assignee: **Guangzhou Vamderor Crafts Co., Ltd.**, Guangdong (CN)
- (**) Term: **15 Years**
- (21) Appl. No.: **29/648,955**
- (22) Filed: **May 25, 2018**
- (51) **LOC (12) Cl.** **15-99**
- (52) **U.S. Cl.**
USPC **D15/199**
- (58) **Field of Classification Search**
USPC D15/148, 199; D10/1, 28, 30, 128
CPC . F16H 1/46; F16H 1/28; F16H 1/2818; F16H
1/2836
See application file for complete search history.

- 7,530,733 B2 * 5/2009 Louie G04D 7/009
368/206
- D607,028 S * 12/2009 Subilia D15/199
- D658,696 S * 5/2012 Au D15/199
- D672,167 S * 12/2012 Dantus D6/683
- 8,714,813 B2 * 5/2014 Liao G04D 7/009
368/206
- D707,118 S * 6/2014 Au D9/418
- D781,944 S * 3/2017 Lee D15/199
- D828,424 S * 9/2018 Schwamkrug D15/199
- 2005/0254352 A1 * 11/2005 Wolf G04B 3/006
368/206
- 2006/0018199 A1 * 1/2006 Louie G04B 3/006
368/206
- 2011/0026374 A1 * 2/2011 Chang G04D 7/009
368/206

* cited by examiner

Primary Examiner — John Windmuller

(57) **CLAIM**

The ornamental design for a watch winder, as shown and described.

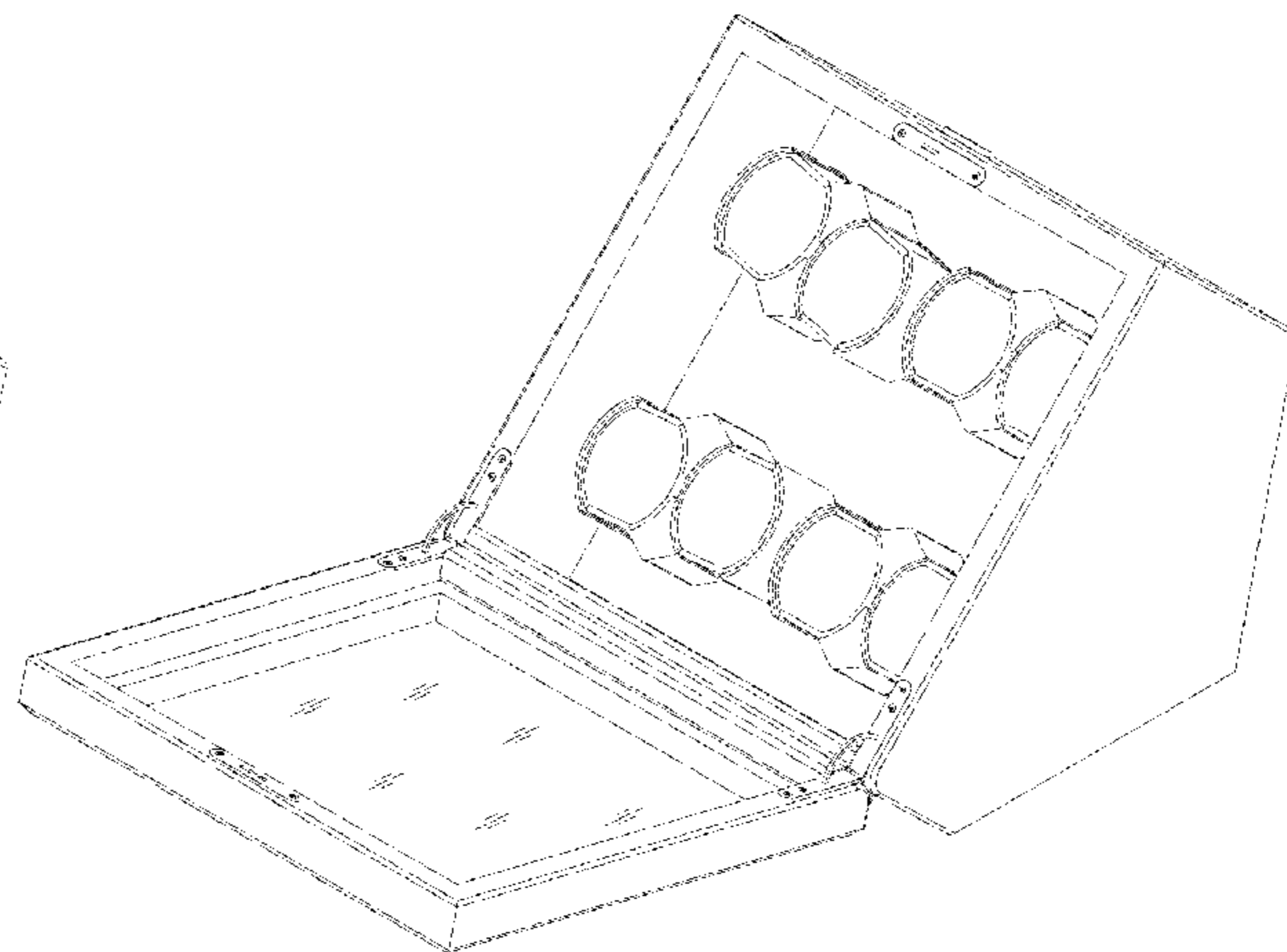
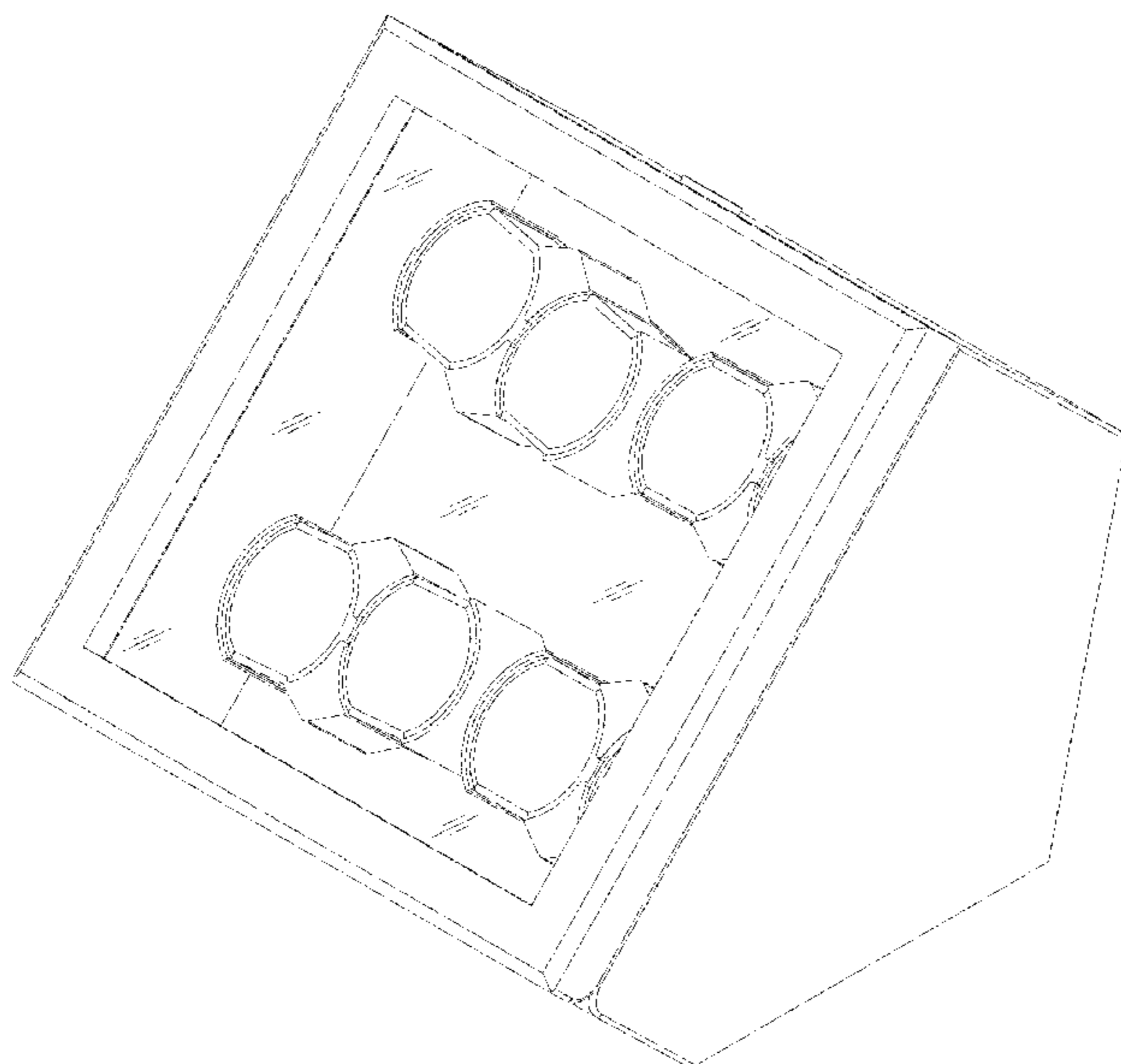
DESCRIPTION

FIG. 1 is a front elevational view of a watch winder showing my new design;
 FIG. 2 is a rear elevational view thereof;
 FIG. 3 is a left side view thereof at an enlarged scale;
 FIG. 4 is a right side view thereof at an enlarged scale;
 FIG. 5 is a top plan view thereof;
 FIG. 6 is a bottom plan view thereof;
 FIG. 7 is a perspective view thereof; and,
 FIG. 8 is a perspective view thereof with the cover opened.
 The broken lines in FIG. 1 depict portions of the watch winder that form no part of the claimed design.

1 Claim, 8 Drawing Sheets

(56) **References Cited**
U.S. PATENT DOCUMENTS

- D340,408 S * 10/1993 Hirsch D9/418
- D357,604 S * 4/1995 Hirsch D6/683
- D402,461 S * 12/1998 Au D3/273
- D425,789 S * 5/2000 Au D9/422
- D465,948 S * 11/2002 Au D6/676
- D510,210 S * 10/2005 Au D3/294
- D513,569 S * 1/2006 Au D6/661.2
- D514,848 S * 2/2006 Au D3/294
- D520,540 S * 5/2006 Siu D15/199
- D543,054 S * 5/2007 Au G04D 7/009
D3/298
- D543,055 S * 5/2007 Au D3/298
- D556,227 S * 11/2007 Au D15/199



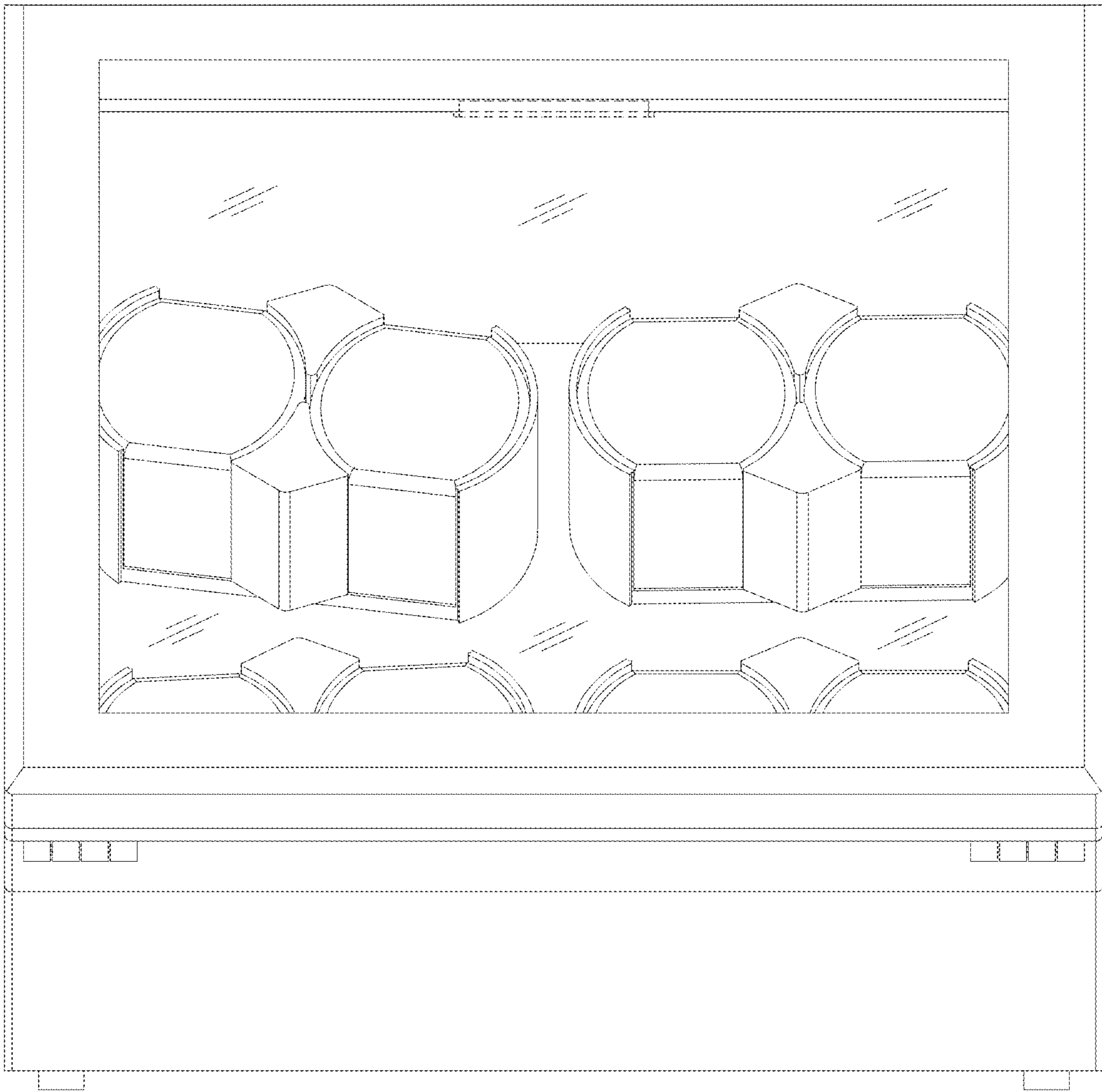


Fig. 1

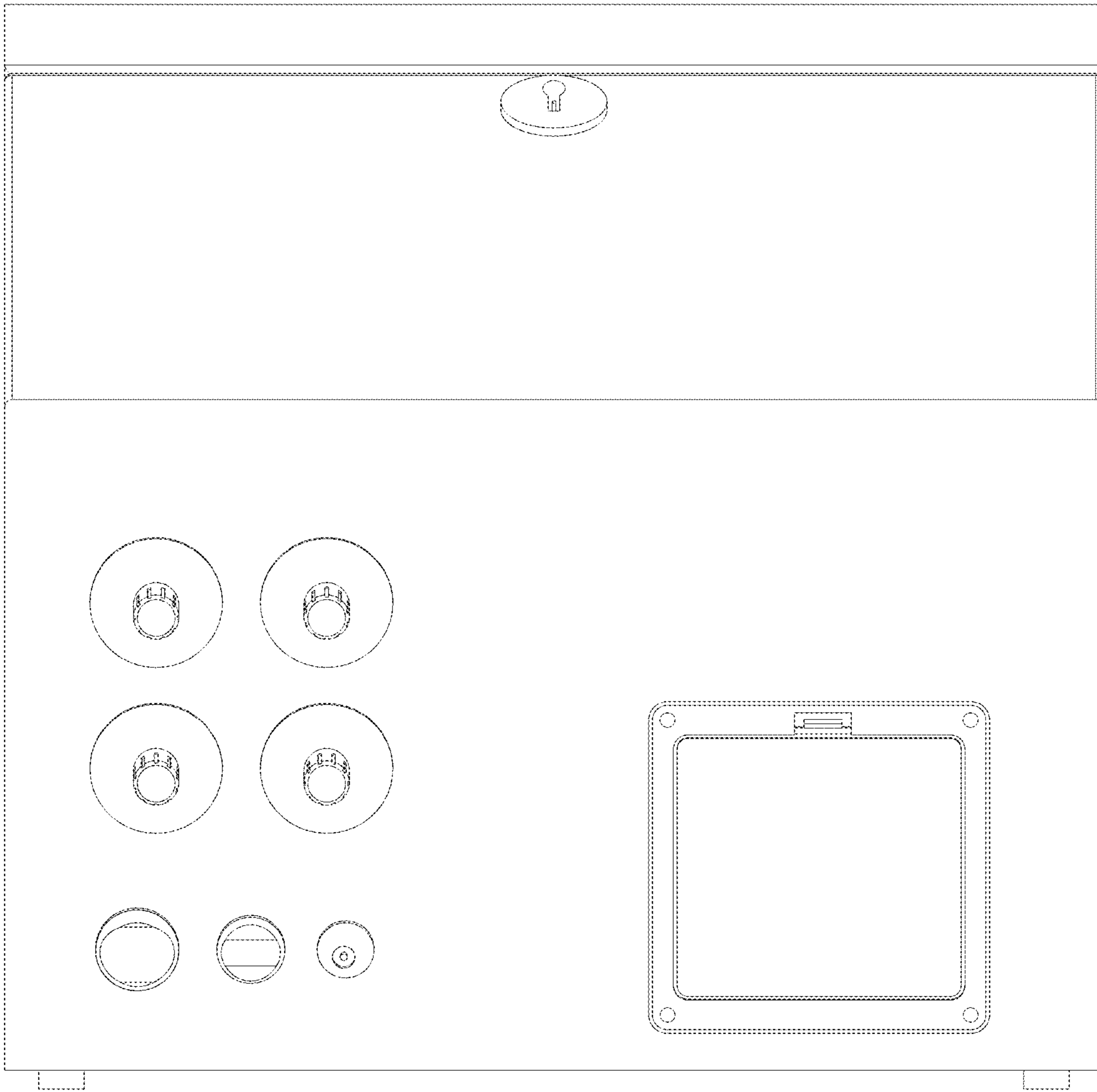


Fig. 2

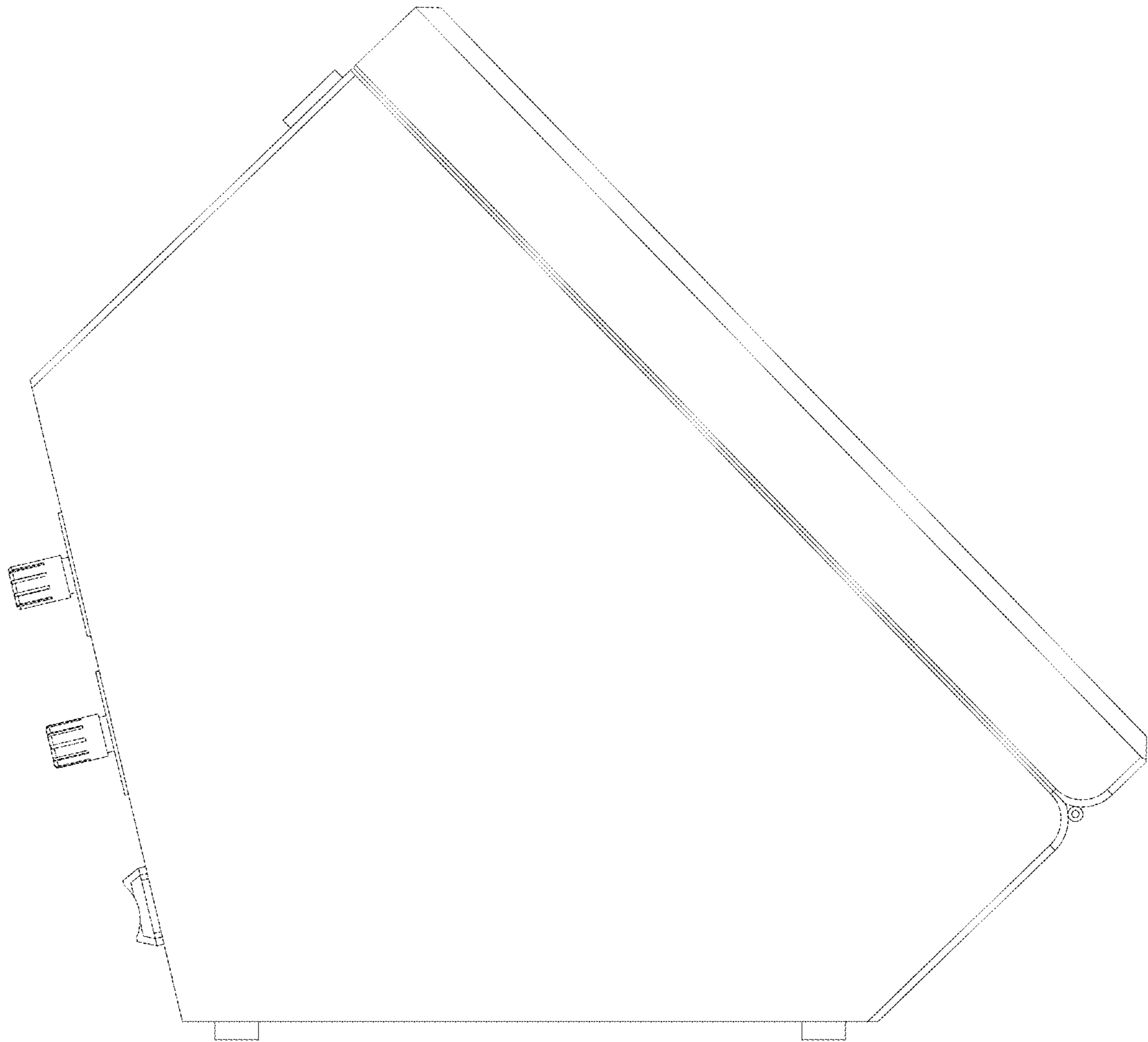


Fig. 3

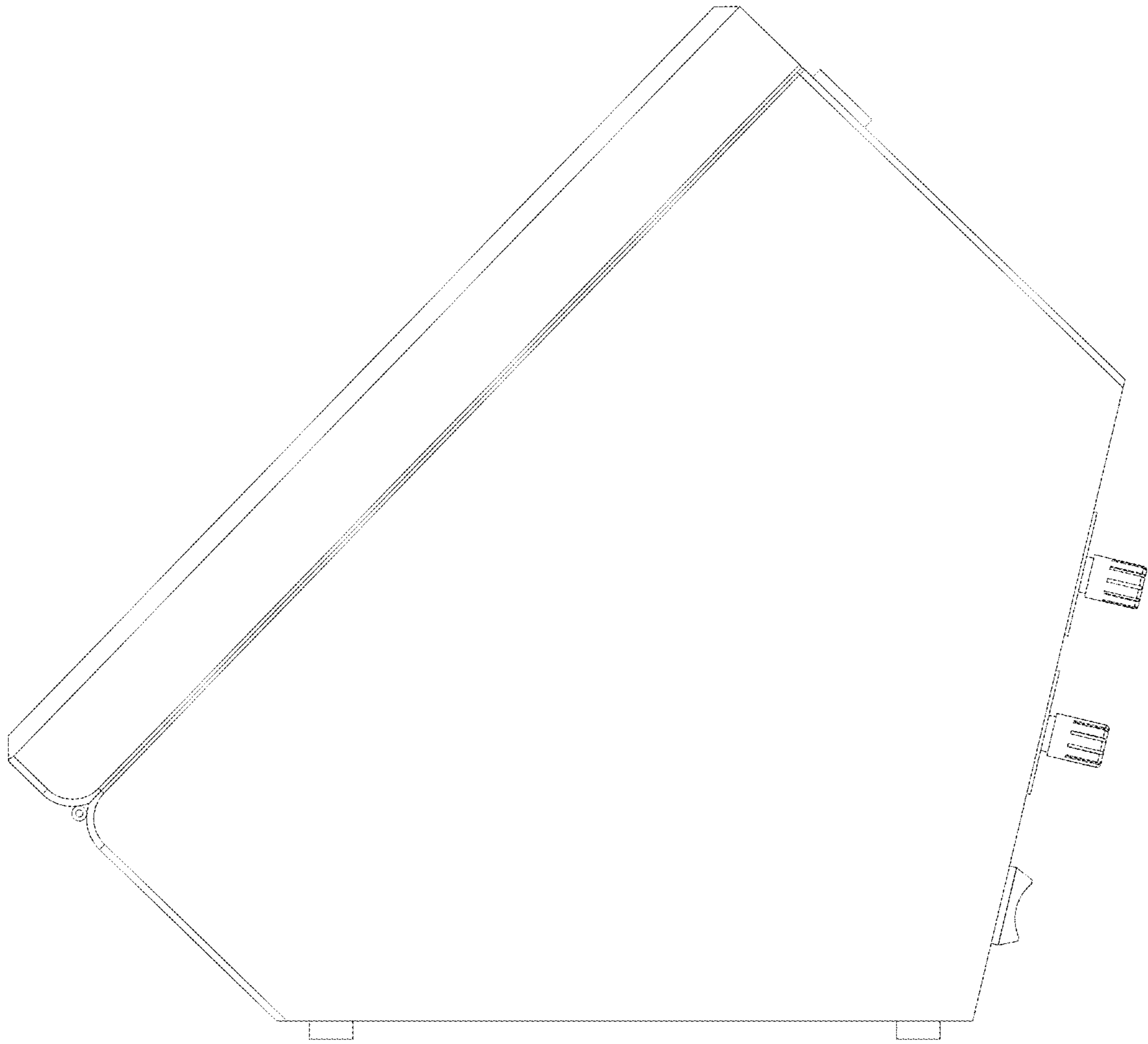


Fig. 4

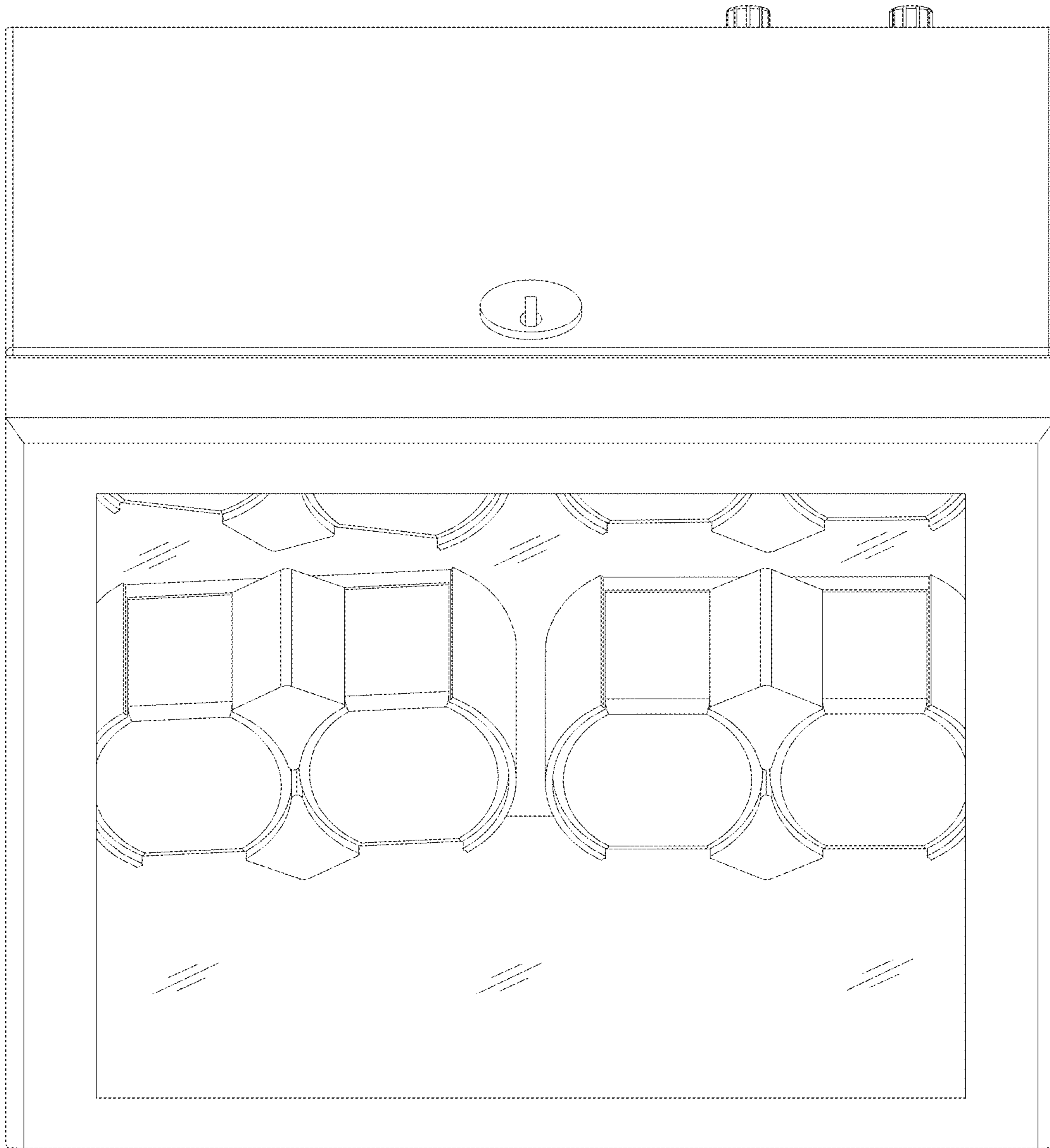


Fig. 5

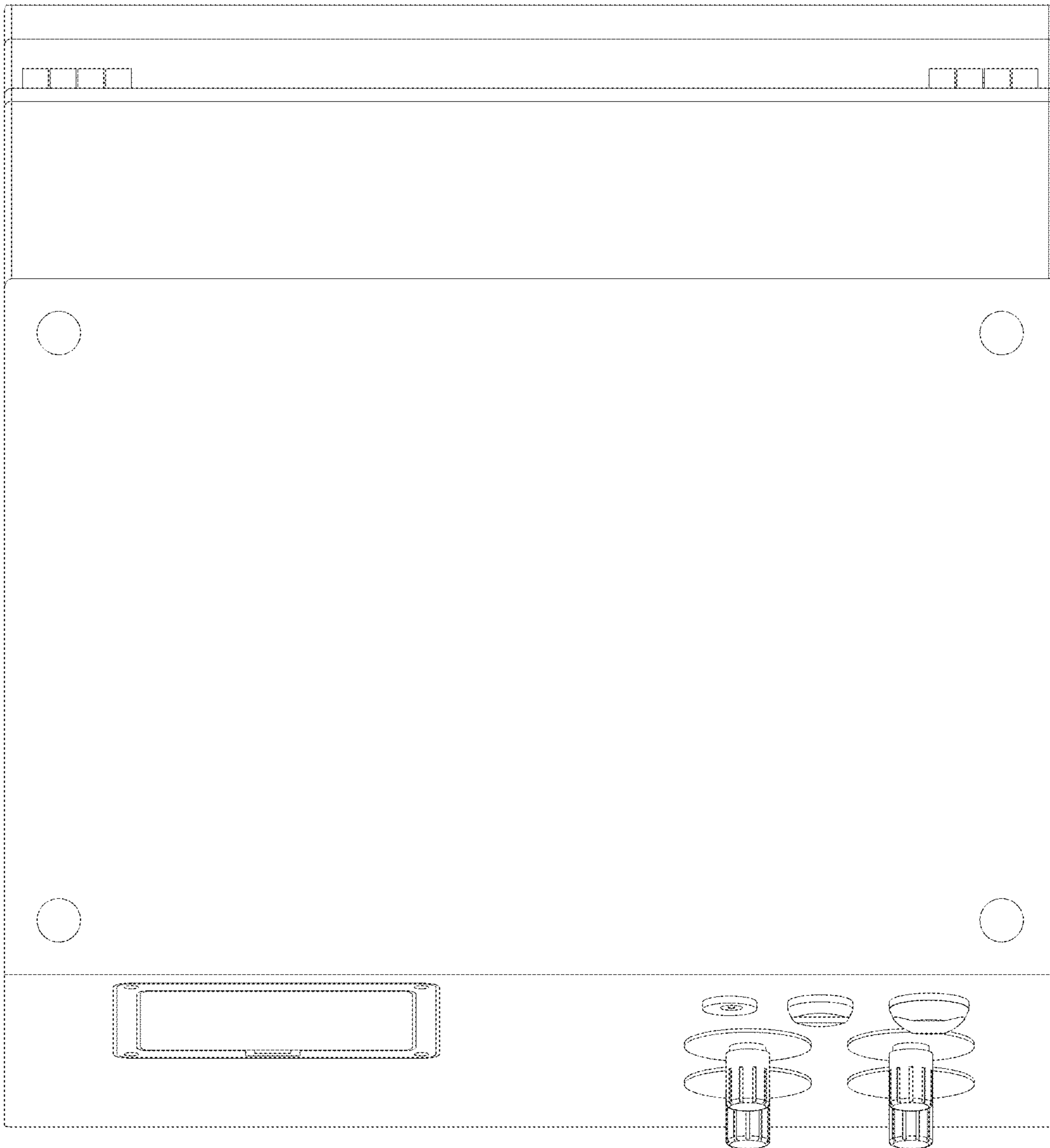


Fig. 6

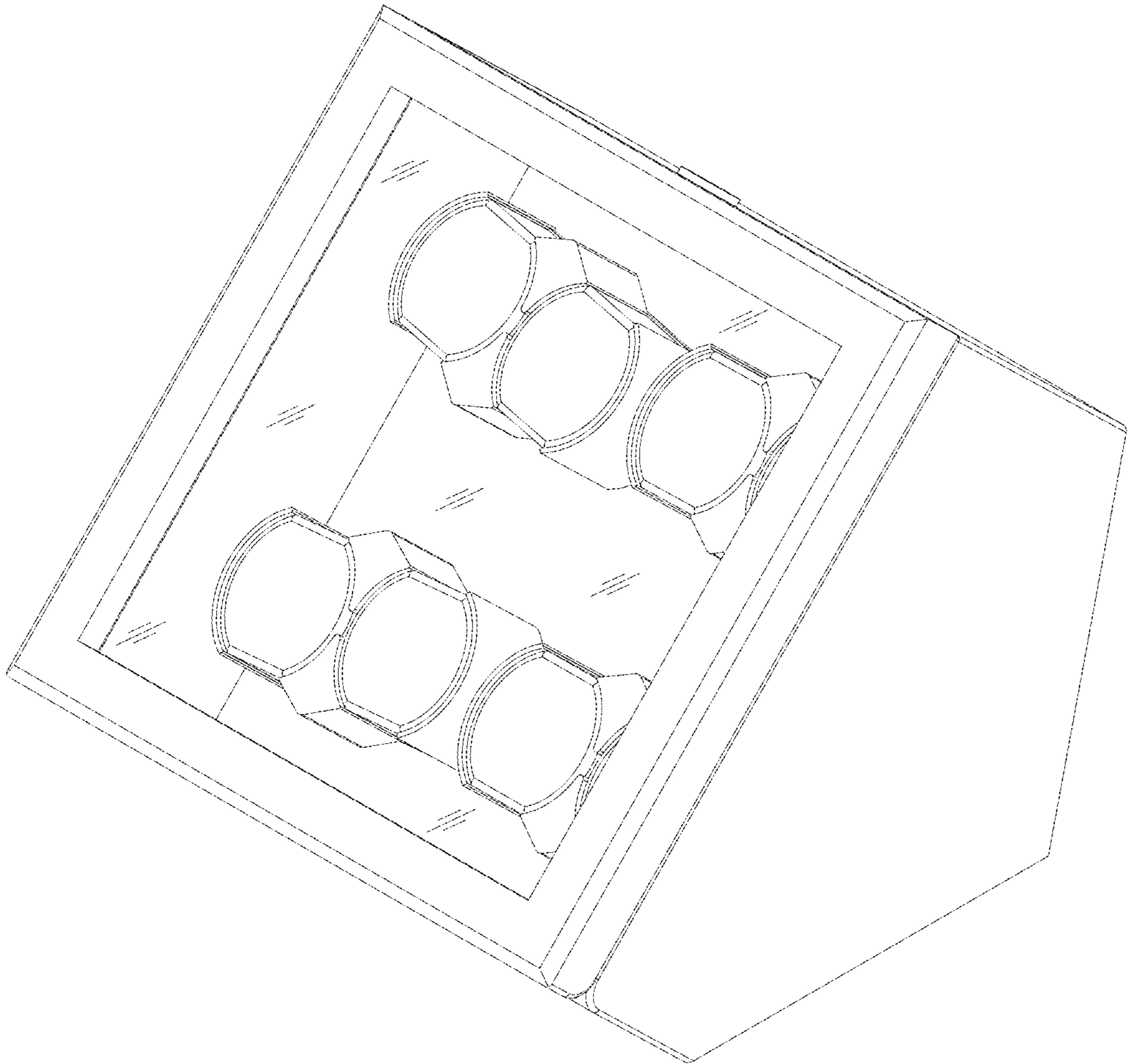


Fig. 7

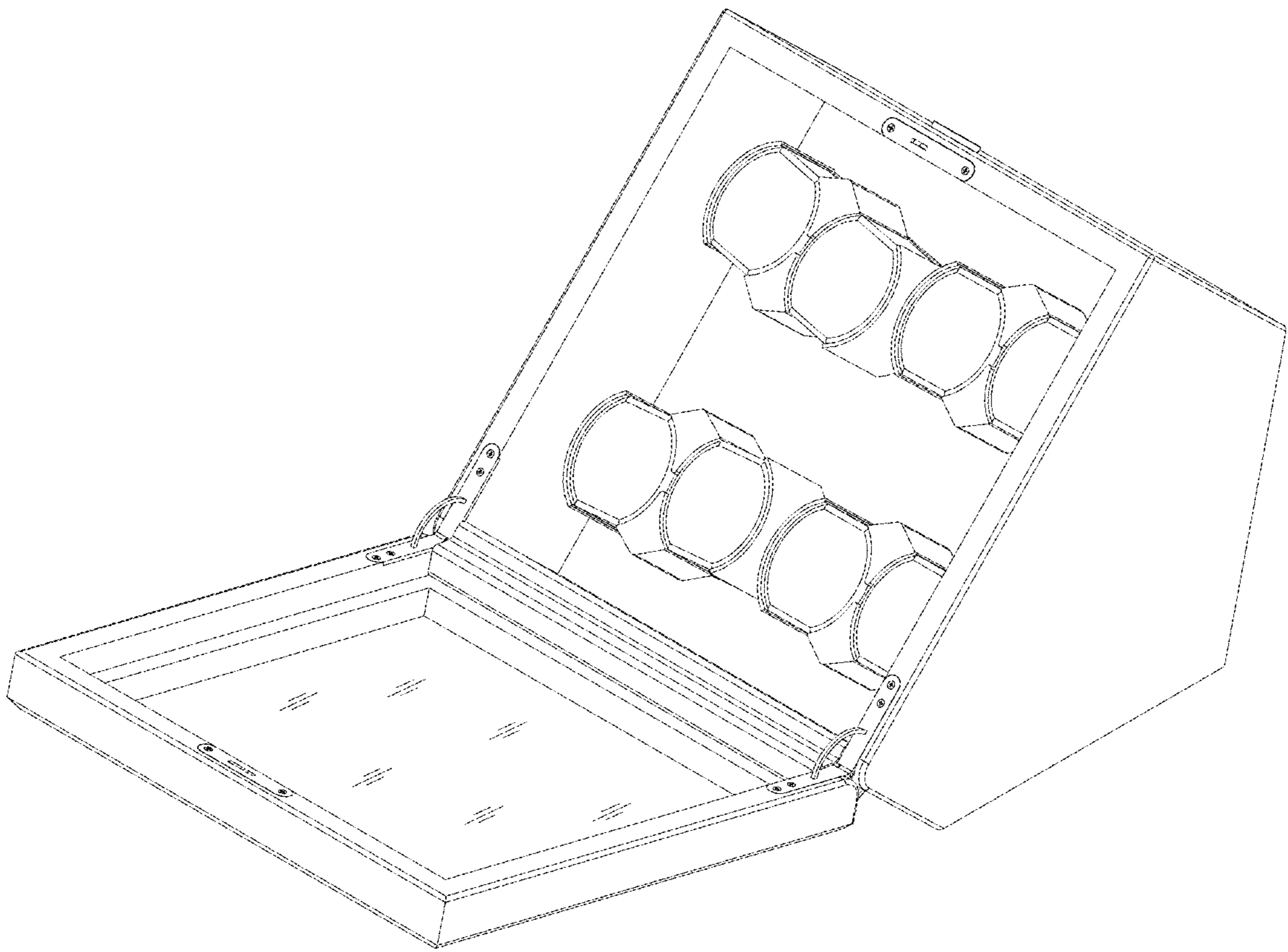


Fig. 8