



US00D886878S

(12) **United States Design Patent**
Jumper

(10) **Patent No.:** **US D886,878 S**
(45) **Date of Patent:** **** Jun. 9, 2020**

- (54) **TRANSMISSION CASE**
- (71) Applicant: **Ray Shane Jumper**, Tyler, TX (US)
- (72) Inventor: **Ray Shane Jumper**, Tyler, TX (US)
- (**) Term: **15 Years**
- (21) Appl. No.: **29/670,373**
- (22) Filed: **Nov. 15, 2018**
- (51) **LOC (12) Cl.** **15-03**
- (52) **U.S. Cl.**
USPC **D15/148**
- (58) **Field of Classification Search**
USPC D15/1-6, 148, 149, 199
CPC F02B 2043/106; F02B 37/04; F02B 43/10;
F02B 43/12; F02B 19/12; F02B
2023/108; F02B 2037/125; F02B
2075/027; F02B 23/101; F02B 33/40;
F02B 37/00; F02B 37/004; F02B 37/10;
F02B 37/18; F02B 37/24; F02B 43/00;
F02B 51/00; F02B 61/00; F02B 63/02;
F02B 63/041; F02B 75/02; F02B 75/04;
F02B 75/045; F02B 75/06; F02B 75/065;
F02B 75/225; F02B 77/13
See application file for complete search history.

D674,826 S *	1/2013	Zhang	D15/148
D674,828 S *	1/2013	Andersson	D15/148
D676,884 S *	2/2013	Zhang	D15/148
D677,293 S *	3/2013	Andersson	D15/148
D678,337 S *	3/2013	Yamamoto	D15/5
D690,339 S *	9/2013	Sigmund	D15/148
D703,253 S *	4/2014	Lannoch	D15/148
D703,716 S *	4/2014	Jensen	D15/148
D710,918 S *	8/2014	Tegeltija	D15/148
D770,551 S *	11/2016	Heilemann	D15/148
D771,729 S *	11/2016	Heilemann	D15/148
D809,039 S *	1/2018	Ebner	D15/148
D855,669 S *	8/2019	Ebner	D15/148

* cited by examiner

Primary Examiner — Khawaja Anwar

(74) *Attorney, Agent, or Firm* — Patentfile, LLC; Bradley C. Fach

(57) **CLAIM**

The ornamental design for a transmission case, as shown and described.

DESCRIPTION

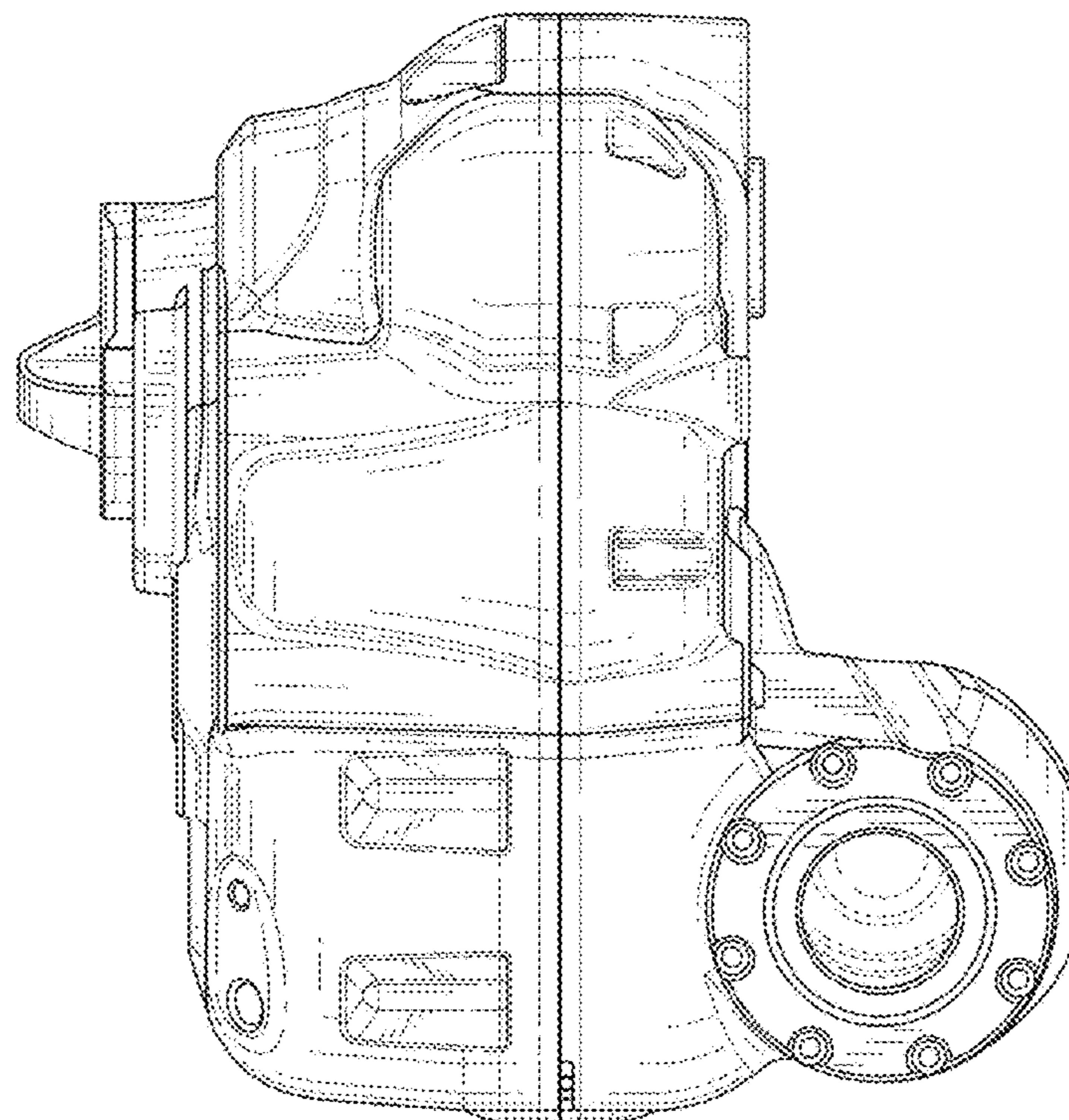
FIG. 1 is a front elevation view showing the new, original, and ornamental design of a transmission case;
 FIG. 2 is a left elevation view thereof;
 FIG. 3 is a rear elevation view thereof;
 FIG. 4 is a right elevation view thereof;
 FIG. 5 is a top plan view thereof; and,
 FIG. 6. is a bottom plan view thereof.
 The broken lines shown in FIG. 1 of the drawings represent environmental subject matter and form no part of the claimed design.

1 Claim, 6 Drawing Sheets

(56) **References Cited**

U.S. PATENT DOCUMENTS

D273,197 S *	3/1984	Huff	D15/148
D368,919 S *	4/1996	Lannoch	D15/148
D479,543 S *	9/2003	Lannoch	D15/148
D528,981 S *	9/2006	Bennett	D13/113



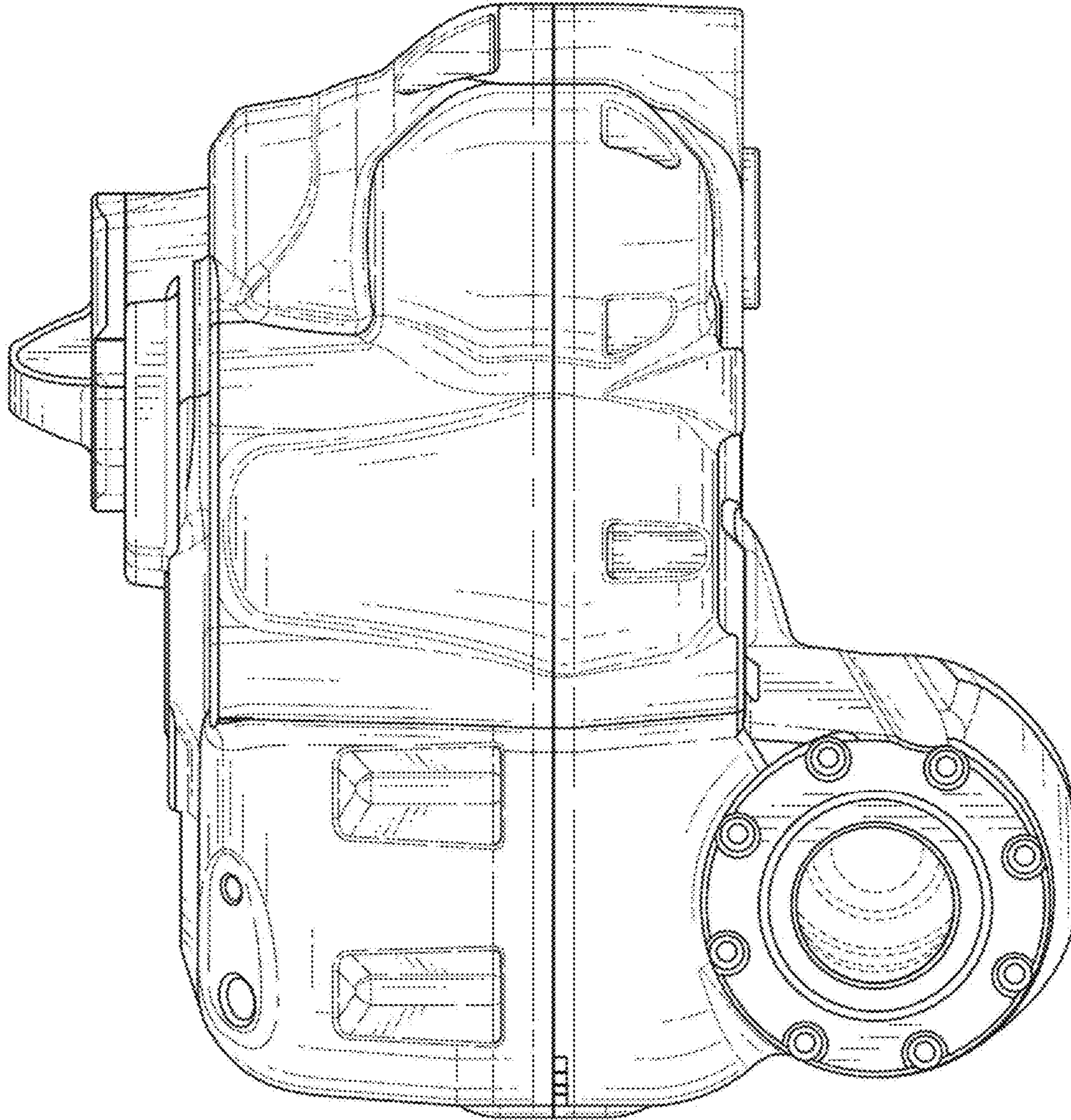


FIG. 1

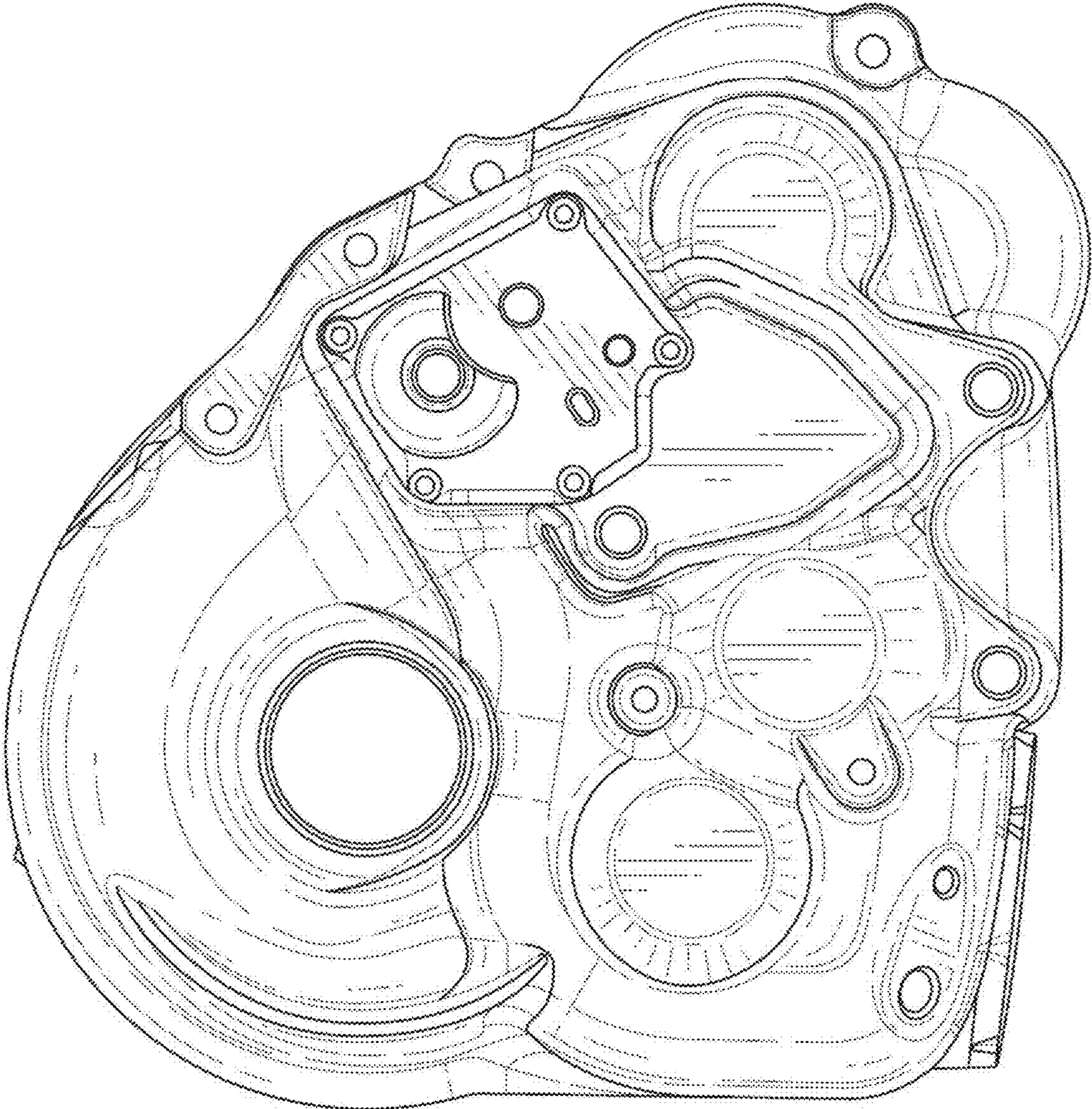


FIG. 2

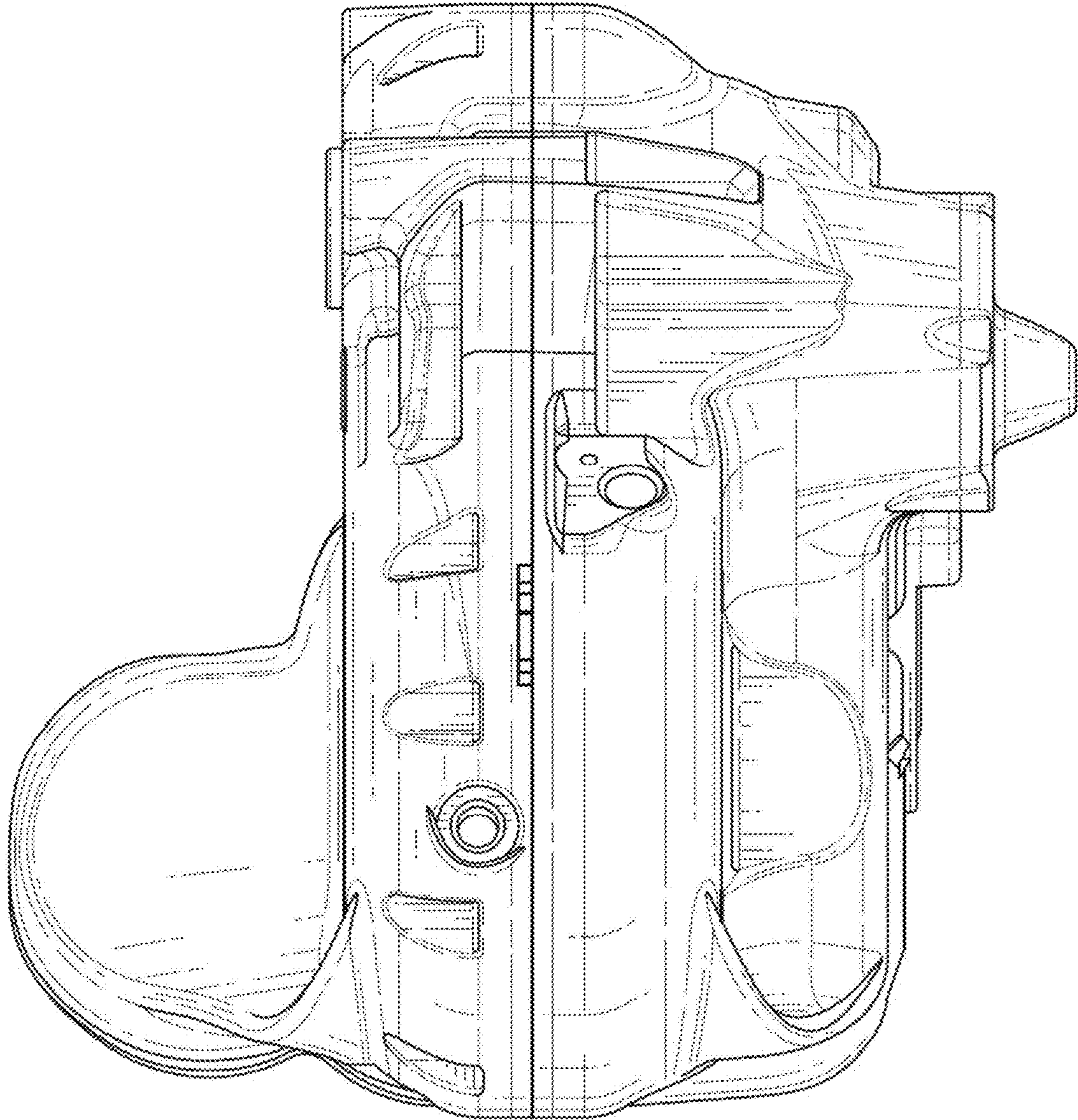


FIG. 3

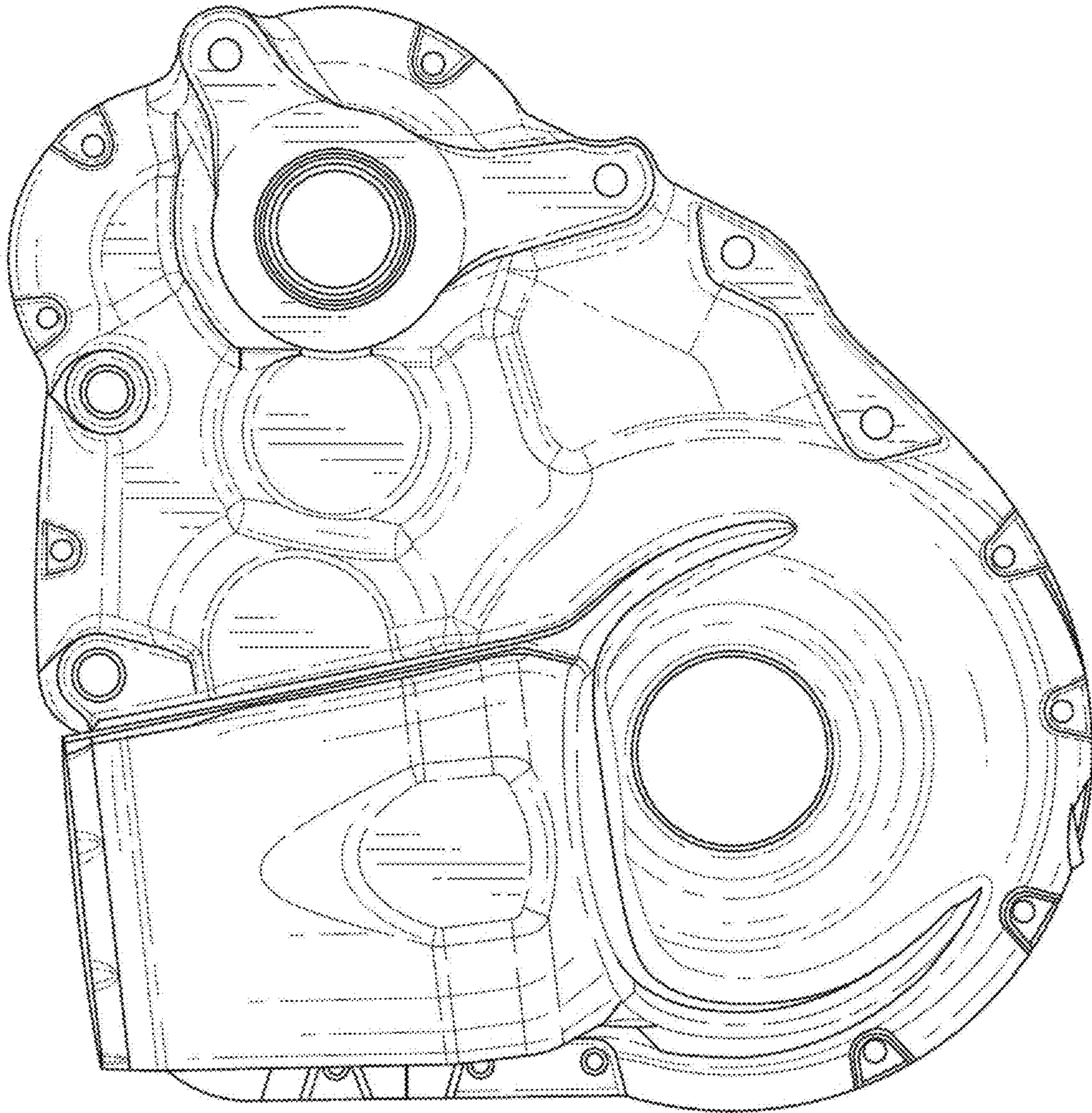


FIG. 4

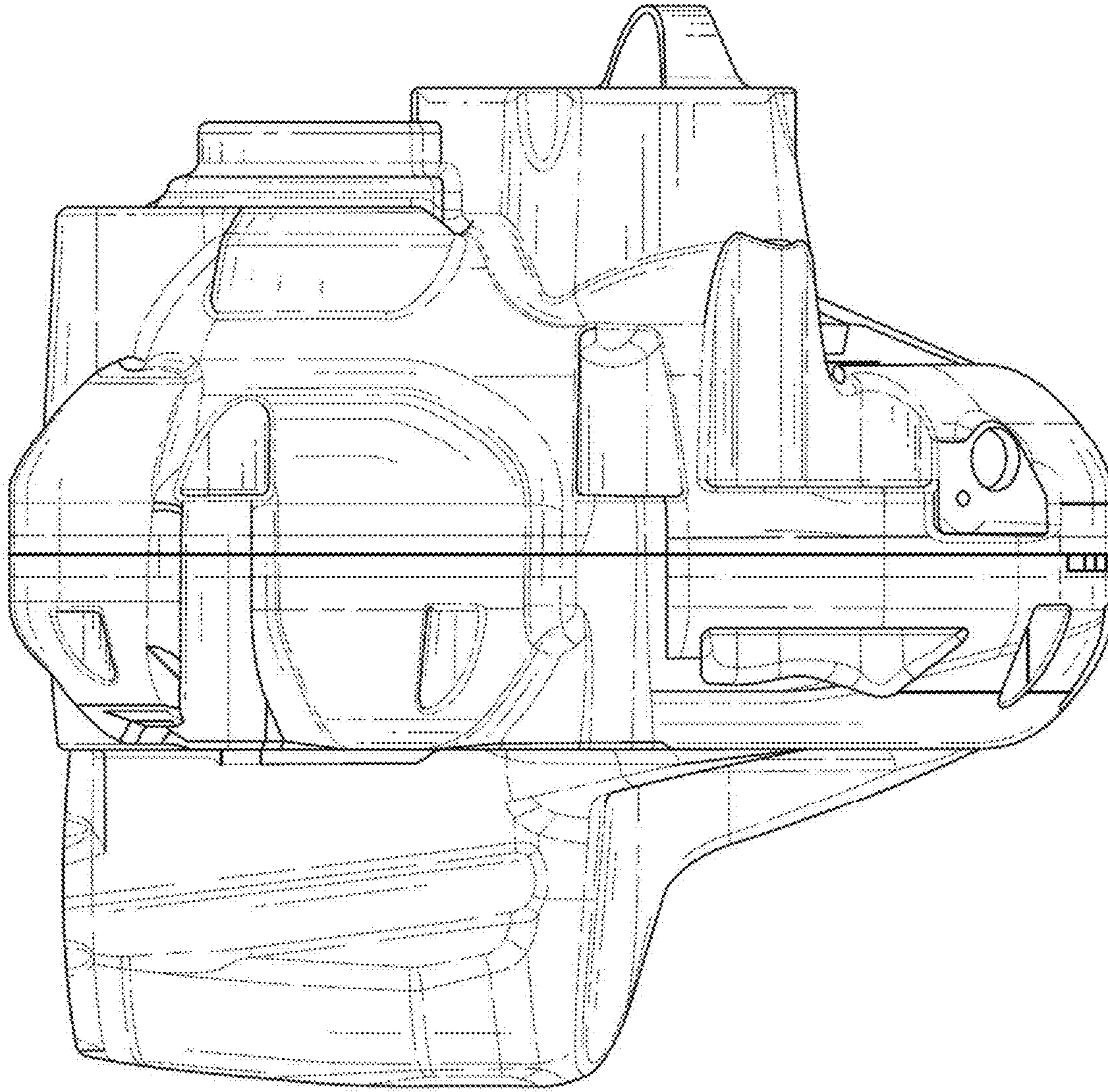


FIG. 5

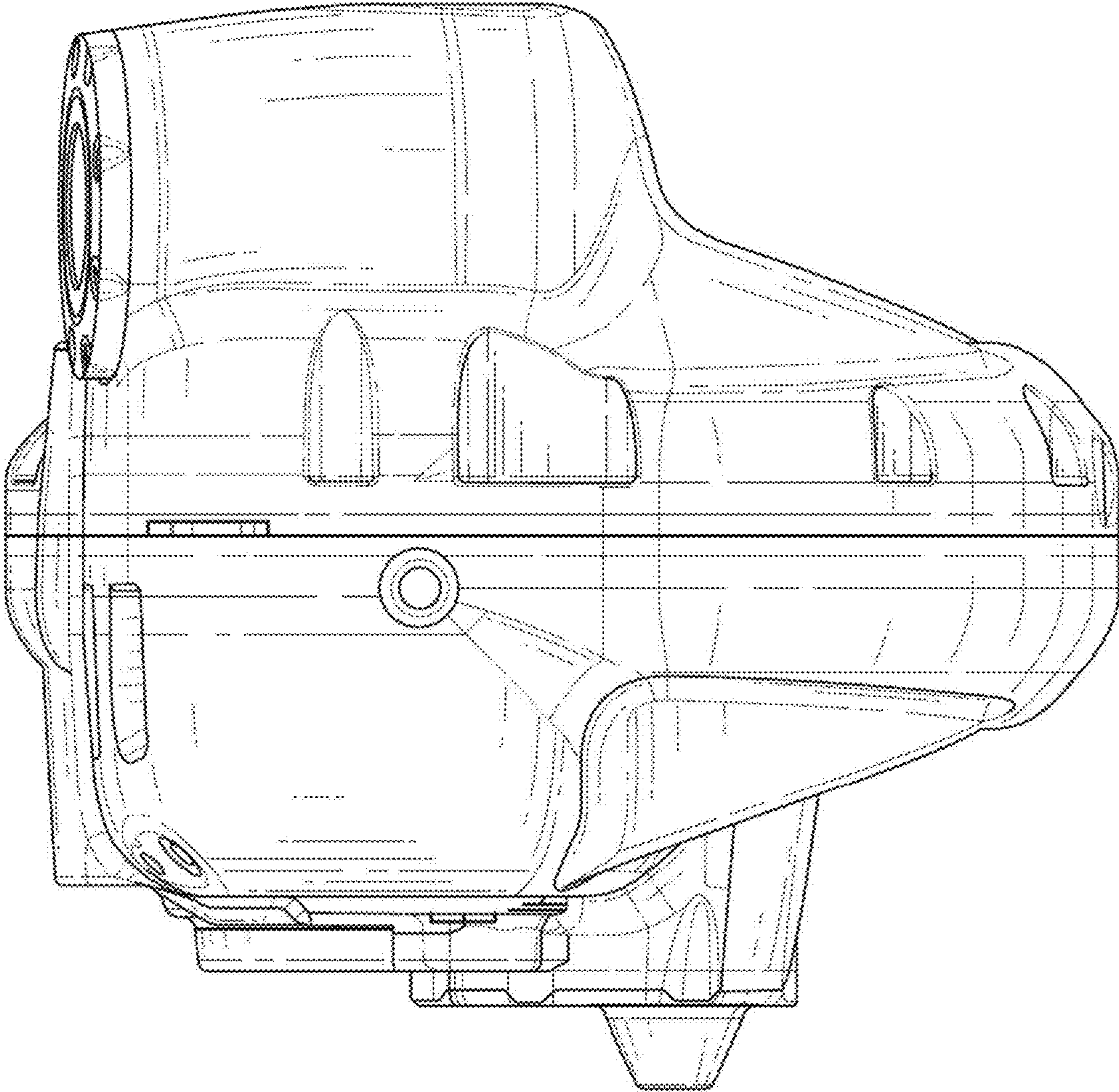


FIG. 6