



US00D886877S

(12) **United States Design Patent**
Inkster

(10) **Patent No.:** **US D886,877 S**
(45) **Date of Patent:** **** Jun. 9, 2020**

(54) **PLANING TOOL ATTACHMENT FOR AN ANGLE GRINDER**

(71) Applicant: **Arbortech Industries Limited**, Malaga (AU)

(72) Inventor: **Kevin Ross Inkster**, Malaga (AU)

(73) Assignee: **Arbortech Industries Limited** (AU)

(**) Term: **15 Years**

(21) Appl. No.: **29/669,996**

(22) Filed: **Nov. 13, 2018**

(30) **Foreign Application Priority Data**

May 14, 2018 (AU) 201812832

(51) **LOC (12) Cl.** **15-03**

(52) **U.S. Cl.**
USPC **D15/126**

(58) **Field of Classification Search**
USPC D15/122, 124, 126, 138, 139, 19, 21, 28,
D15/29; D8/62, 70, 90; D7/372, 376,
D7/370

CPC B24B 37/013; B24B 19/14; B24B 37/042;
B24B 37/107; B24B 13/00; B24B 13/04;
B24B 21/00; B24B 21/006; B24B 21/20;
B24B 23/06; B24B 31/06; B24B 37/04;
B24B 41/002; B24B 47/22; B24B 49/10;
B24B 49/14; B24B 49/16; B24B 49/01

See application file for complete search history.

(56) **References Cited**

U.S. PATENT DOCUMENTS

D450,730 S * 11/2001 Krycki D15/138
D548,757 S * 8/2007 Ruan D15/126

D589,541 S * 3/2009 Park D15/126
D660,888 S * 5/2012 Piliguian D15/126
D678,370 S * 3/2013 Inkster D15/139
D682,651 S * 5/2013 McRoberts D8/20
D719,592 S * 12/2014 Inkster D15/126
D719,593 S * 12/2014 Inkster D15/126

(Continued)

Primary Examiner — Khawaja Anwar

(74) *Attorney, Agent, or Firm* — Taylor English Duma LLP

(57) **CLAIM**

The ornamental design for a planing tool attachment for an angle grinder, as shown and described.

DESCRIPTION

FIG. 1 is a left side view of the planing tool attachment for an angle grinder according to an aspect of my new design; FIG. 2 is a bottom plan view of the claimed design of FIG. 1;

FIG. 3 is a right side view of the claimed design of FIG. 1; FIG. 4 is a top plan view of the claimed design of FIG. 1; FIG. 5 is a front end view of the claimed design of FIG. 1; FIG. 6 is a rear end view of the claimed design of FIG. 1; FIG. 7 is a front left isometric view from above of the claimed design of FIG. 1;

FIG. 8 is a front right isometric view from above of the claimed design of FIG. 1;

FIG. 9 is a rear right isometric view from above of the claimed design of FIG. 1;

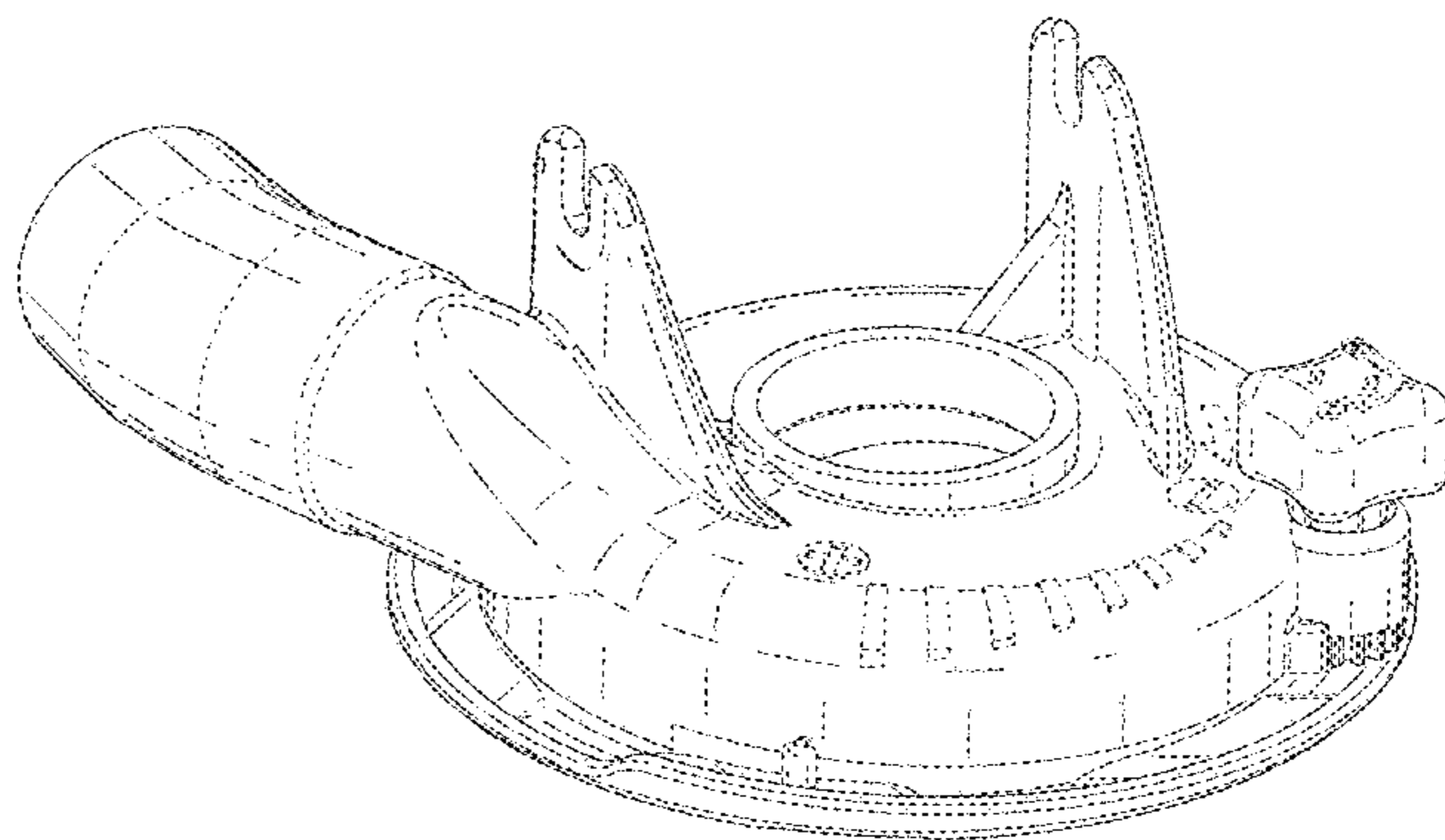
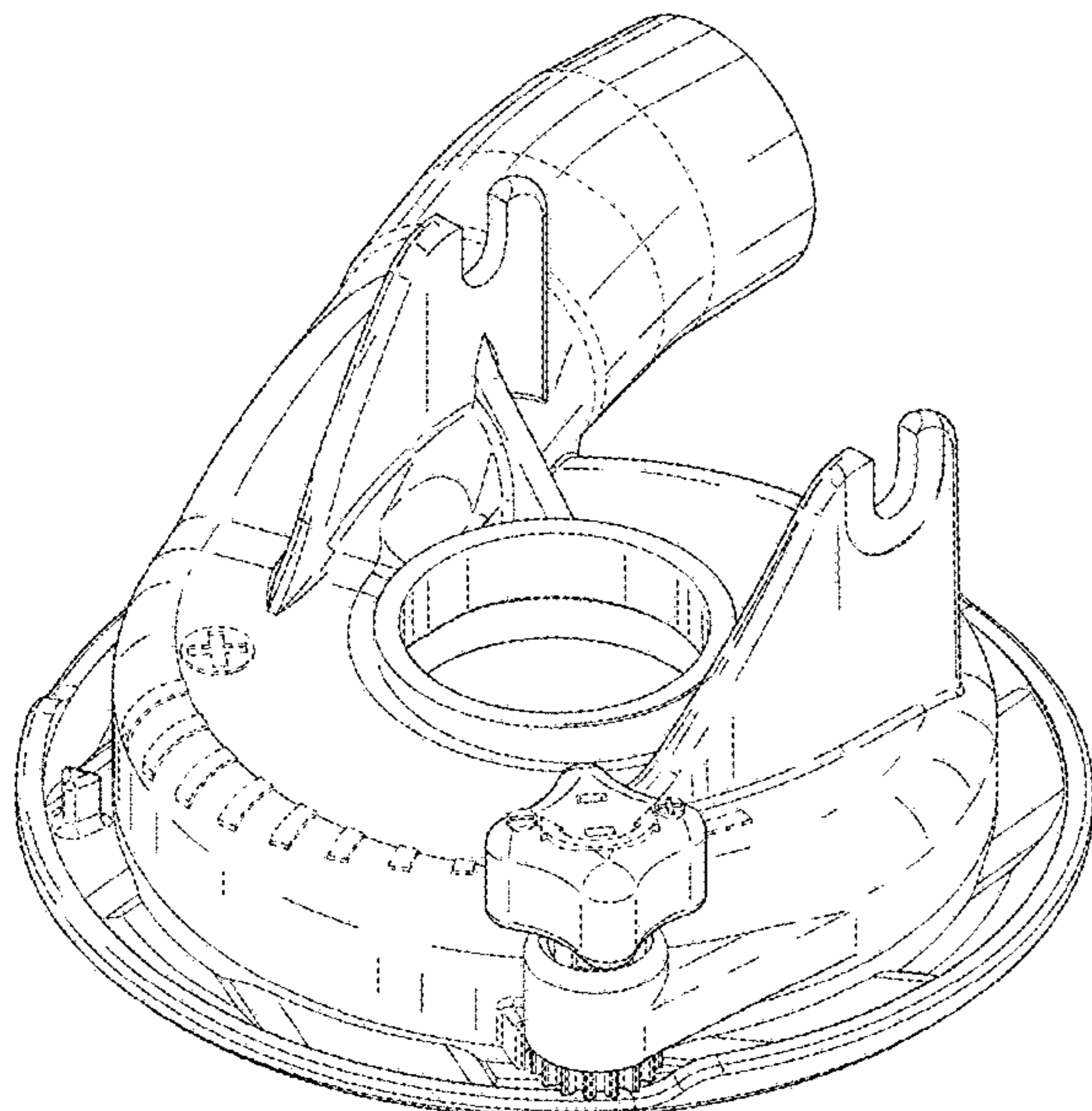
FIG. 10 is a rear right isometric view from below of the claimed design of FIG. 1;

FIG. 11 is a front left isometric view from below of the claimed design of FIG. 1; and,

FIG. 12 is a front right isometric view from below of the claimed design of FIG. 1.

In the drawing figures, the features shown in broken lines in the figures form no part of the design.

1 Claim, 12 Drawing Sheets



(56)

References Cited

U.S. PATENT DOCUMENTS

D797,168 S *	9/2017	Ruan	D15/126
D834,074 S *	11/2018	Palushaj	D15/126
D845,371 S *	4/2019	Turner	D15/148
2008/0176498 A1 *	7/2008	Rossi	B24B 7/186 451/508

* cited by examiner

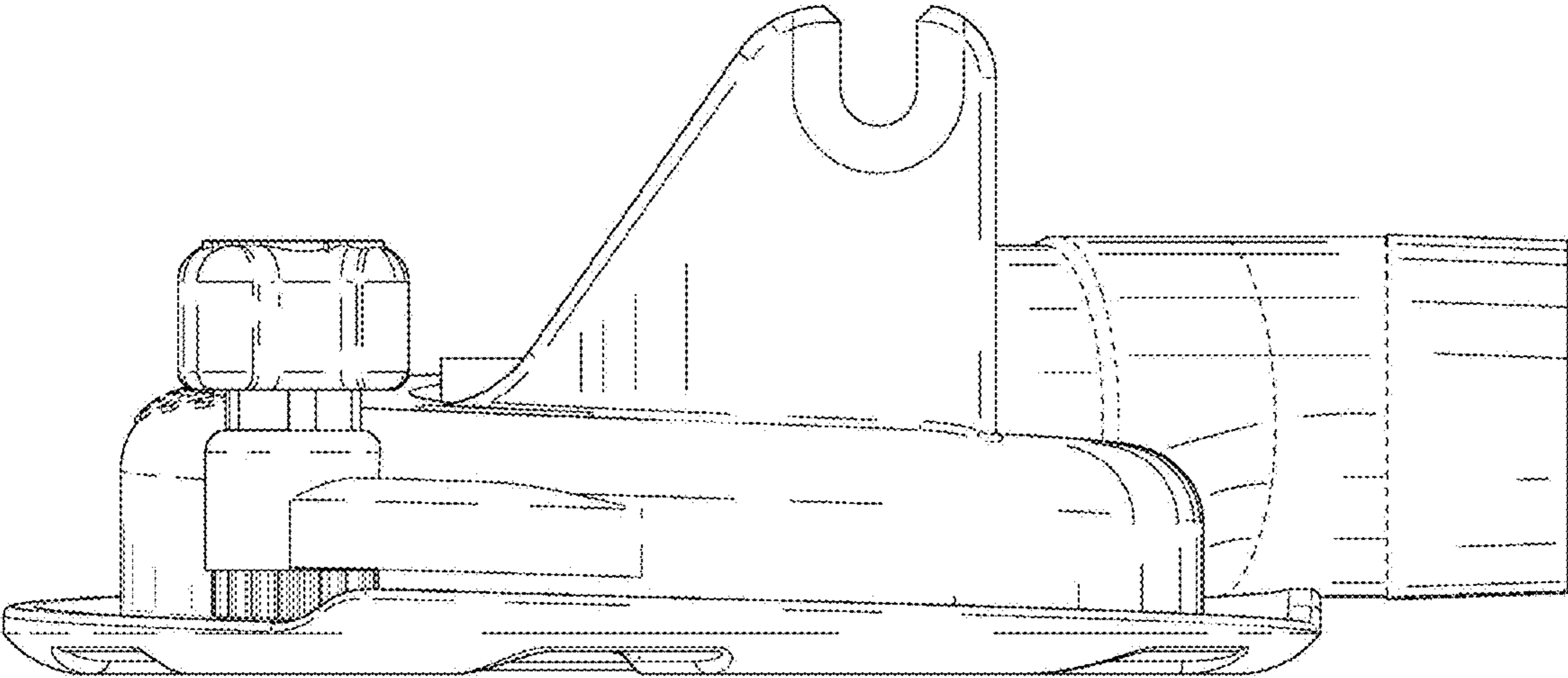


Figure 1

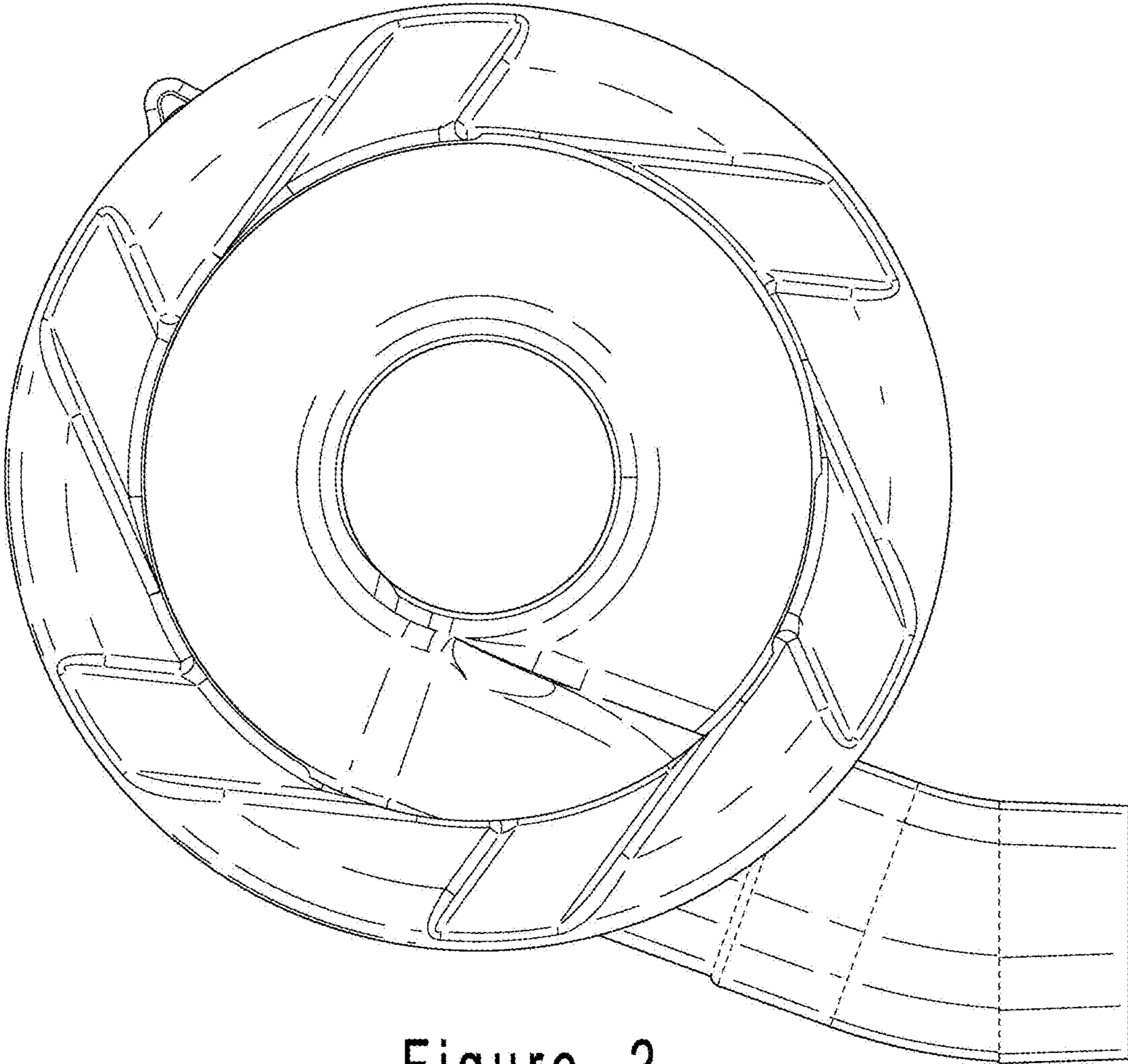


Figure 2

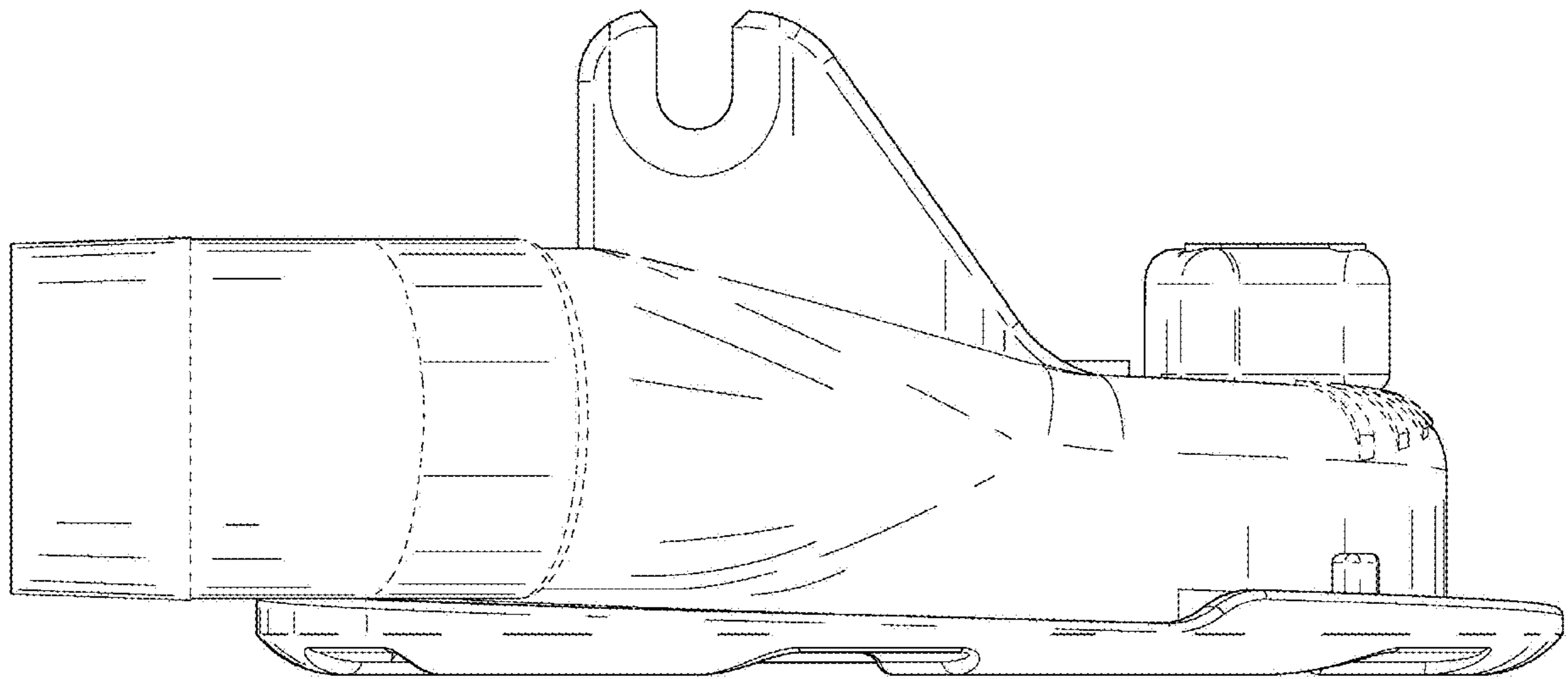


Figure 3

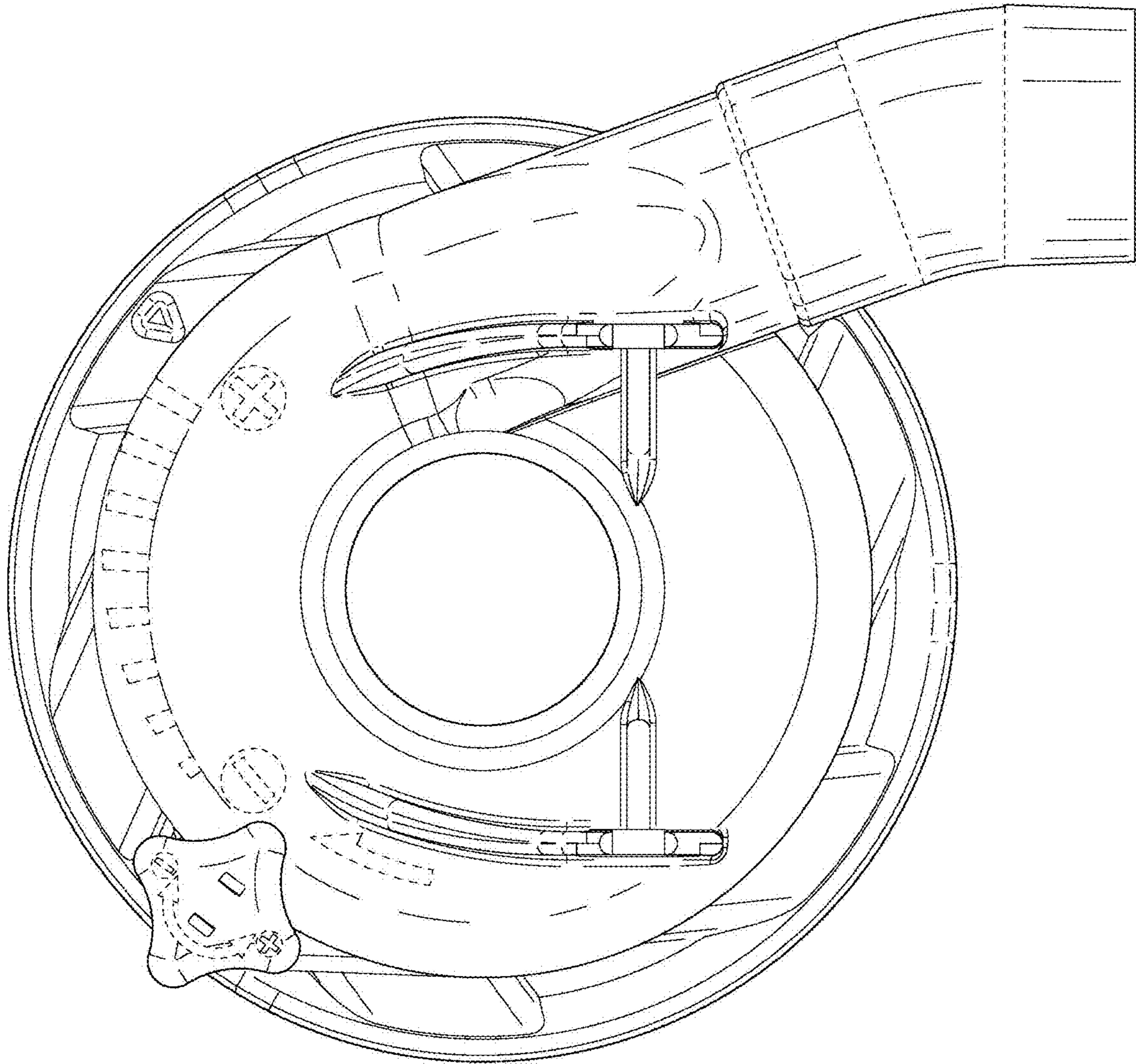


Figure 4

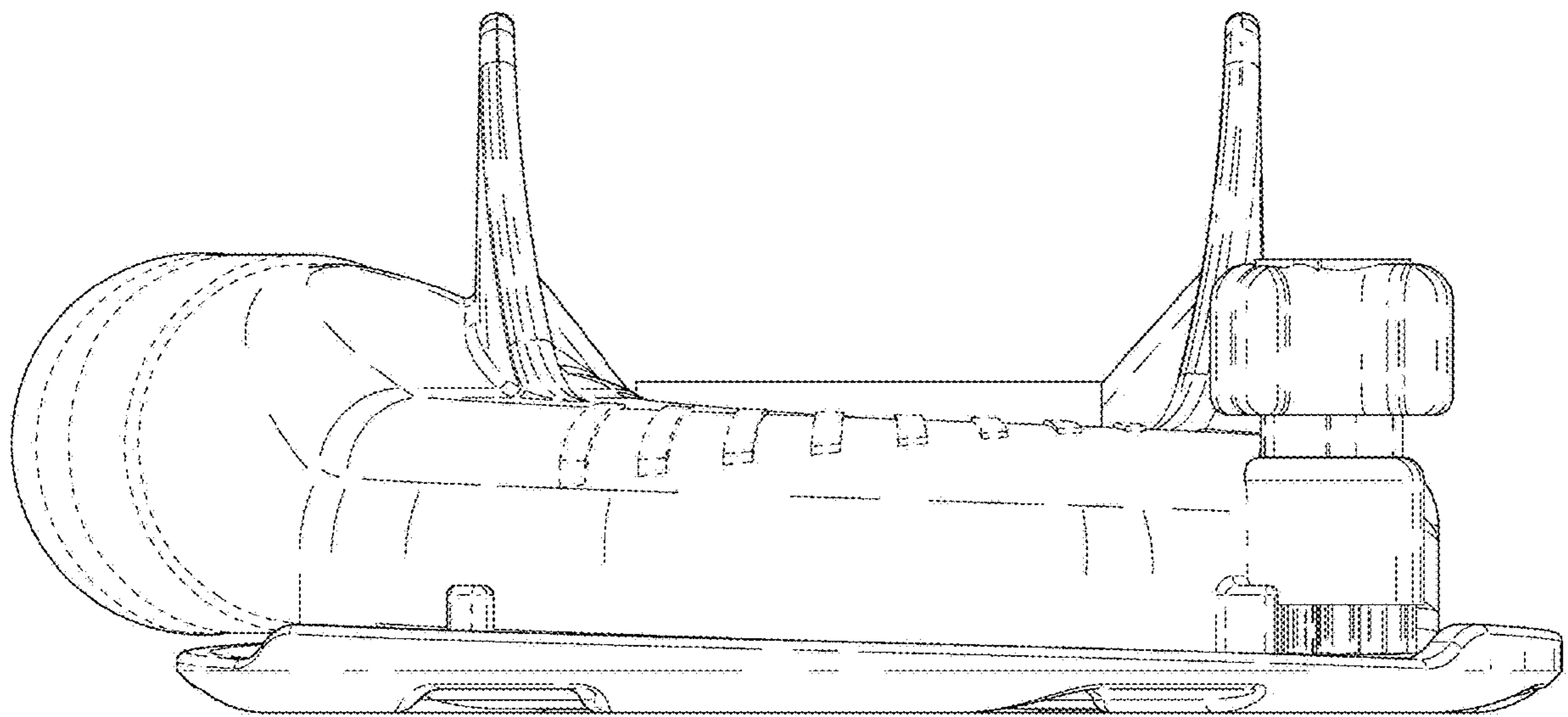


Figure 5

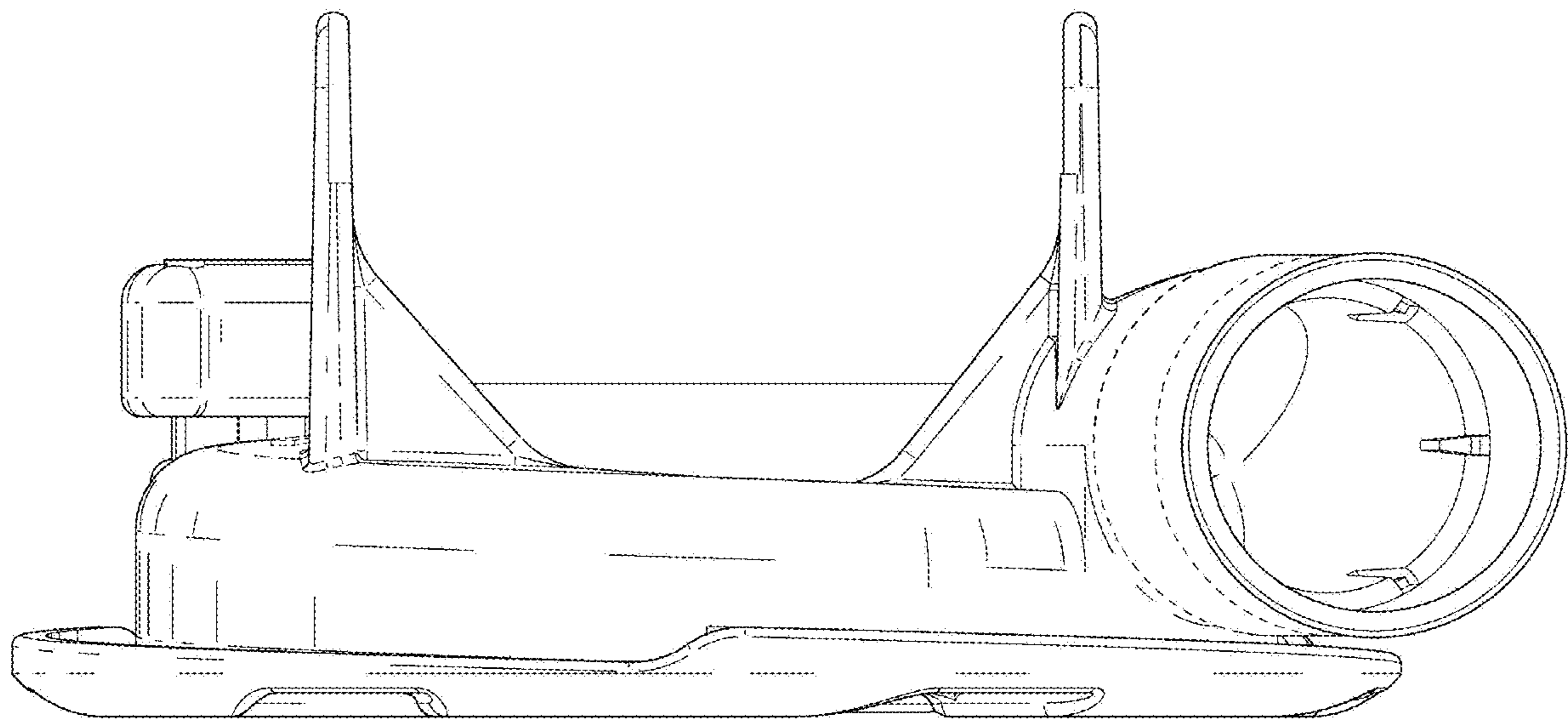


Figure 6

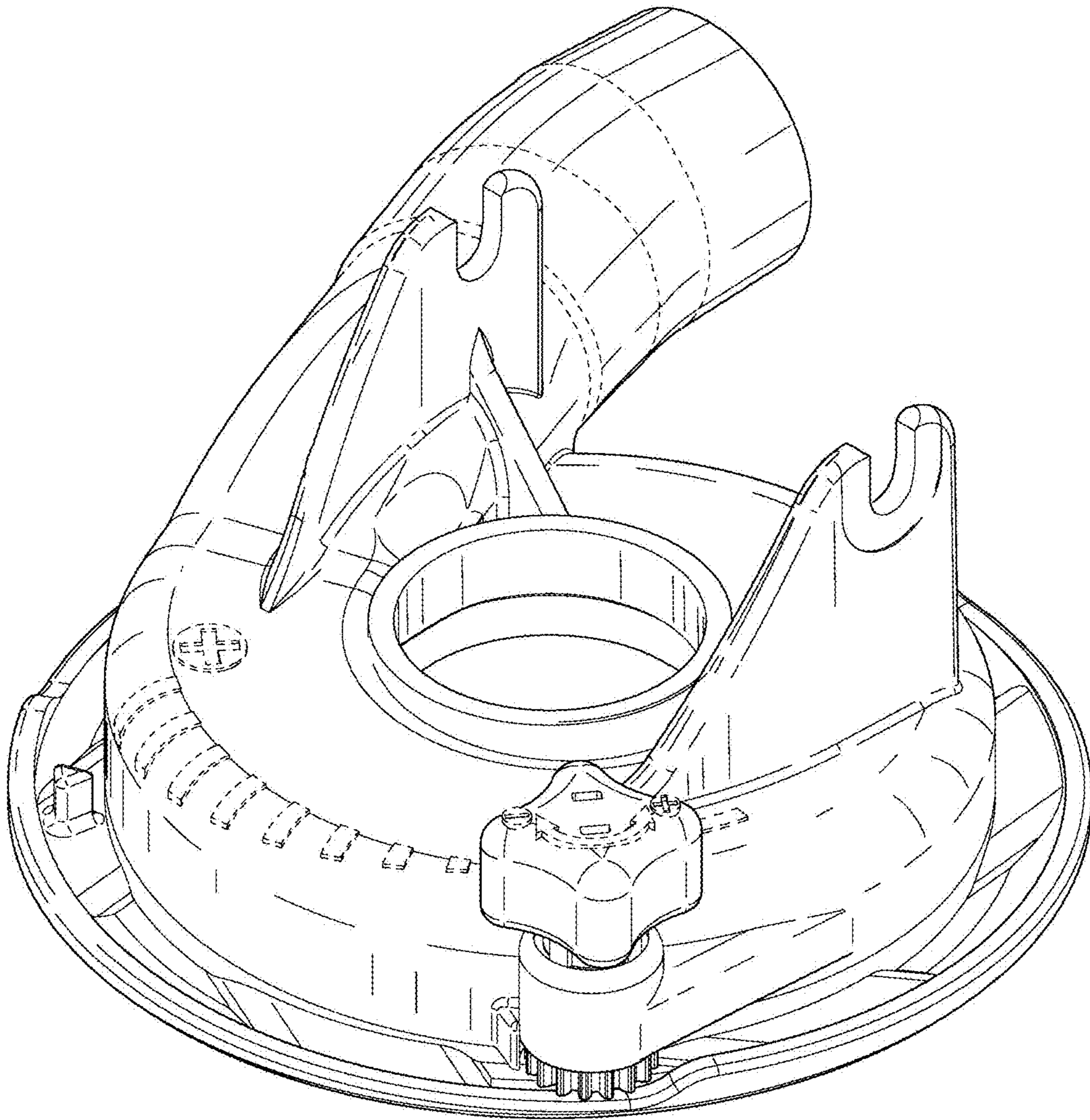


Figure 7

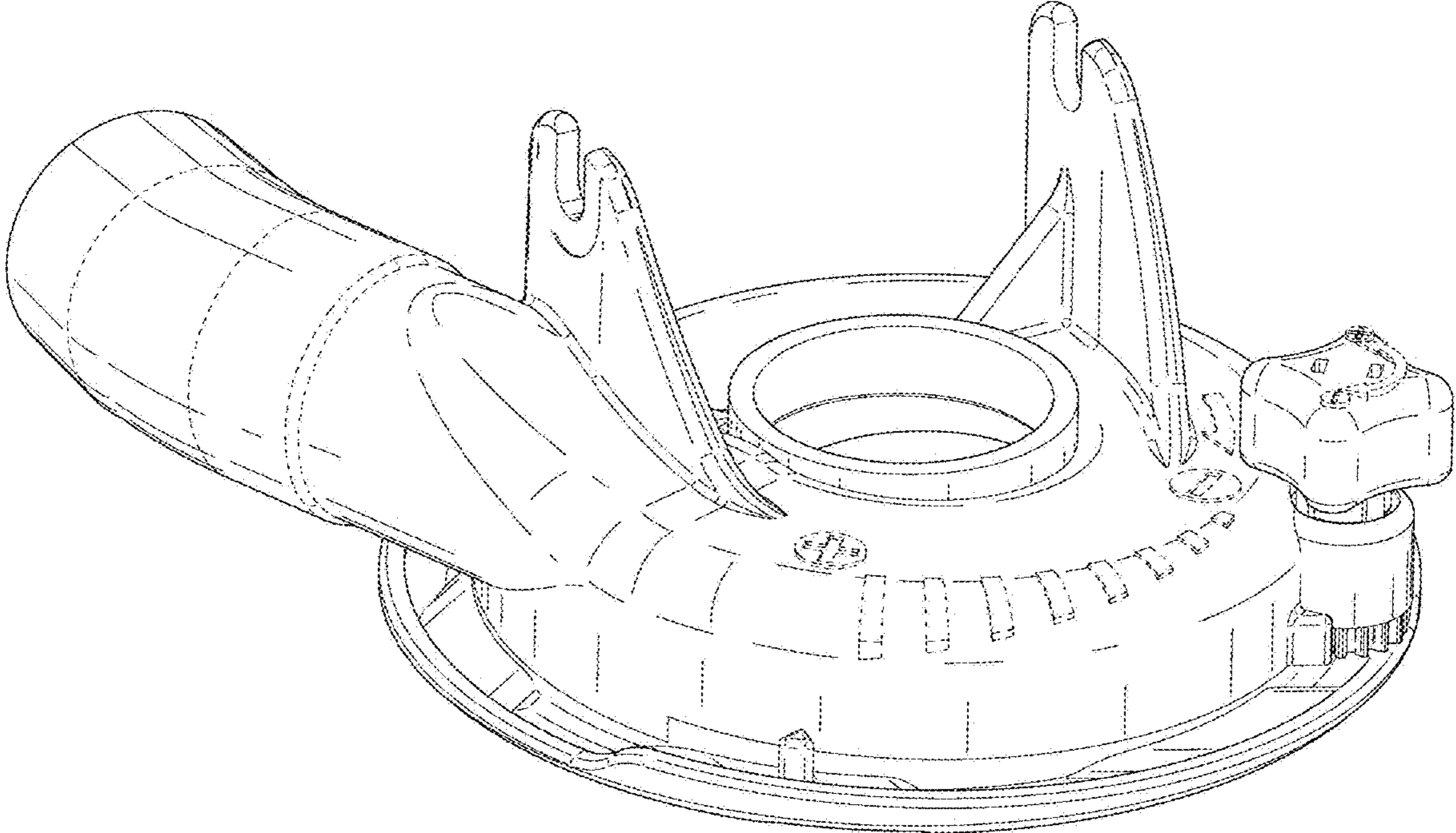


Figure 8

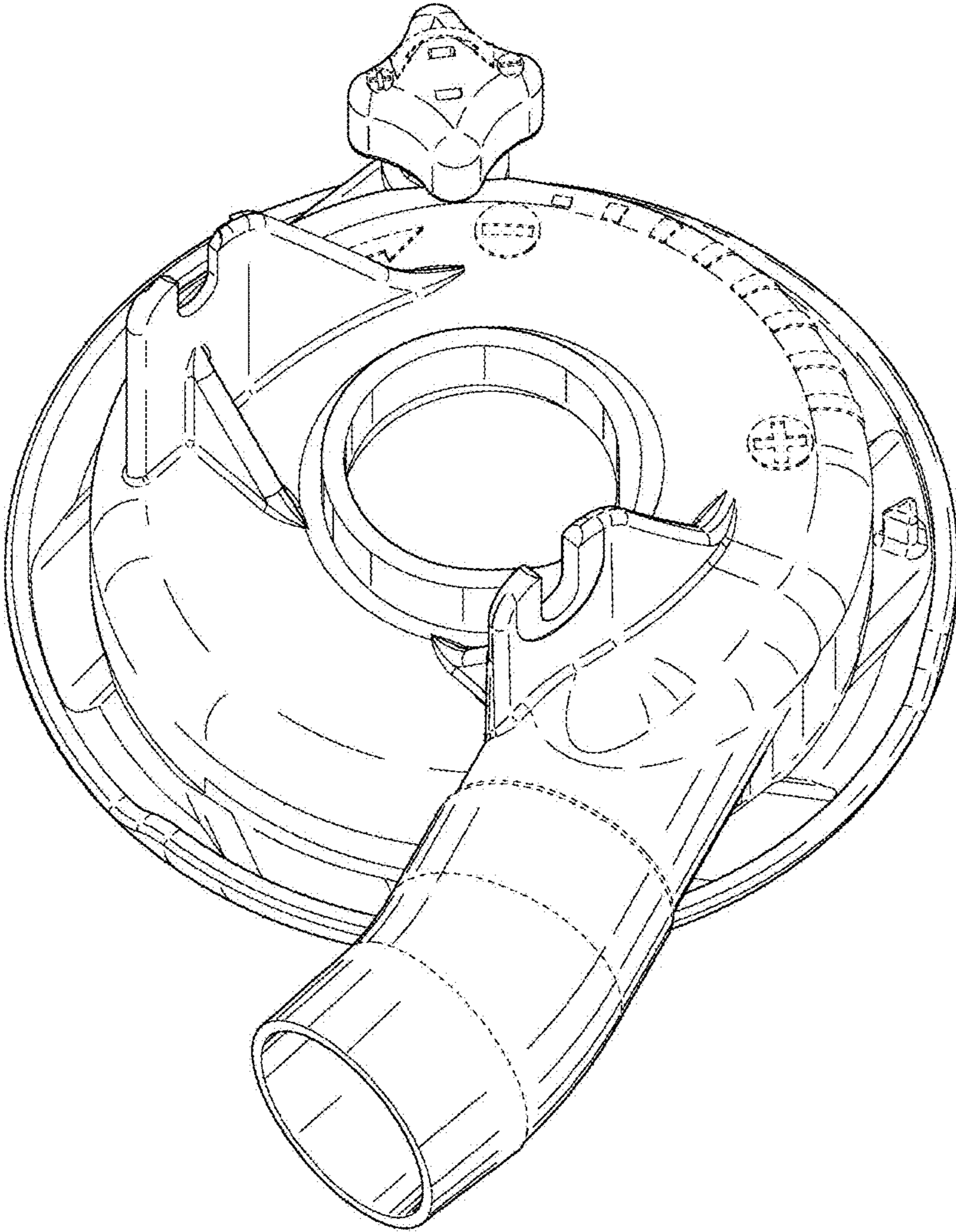


Figure 9

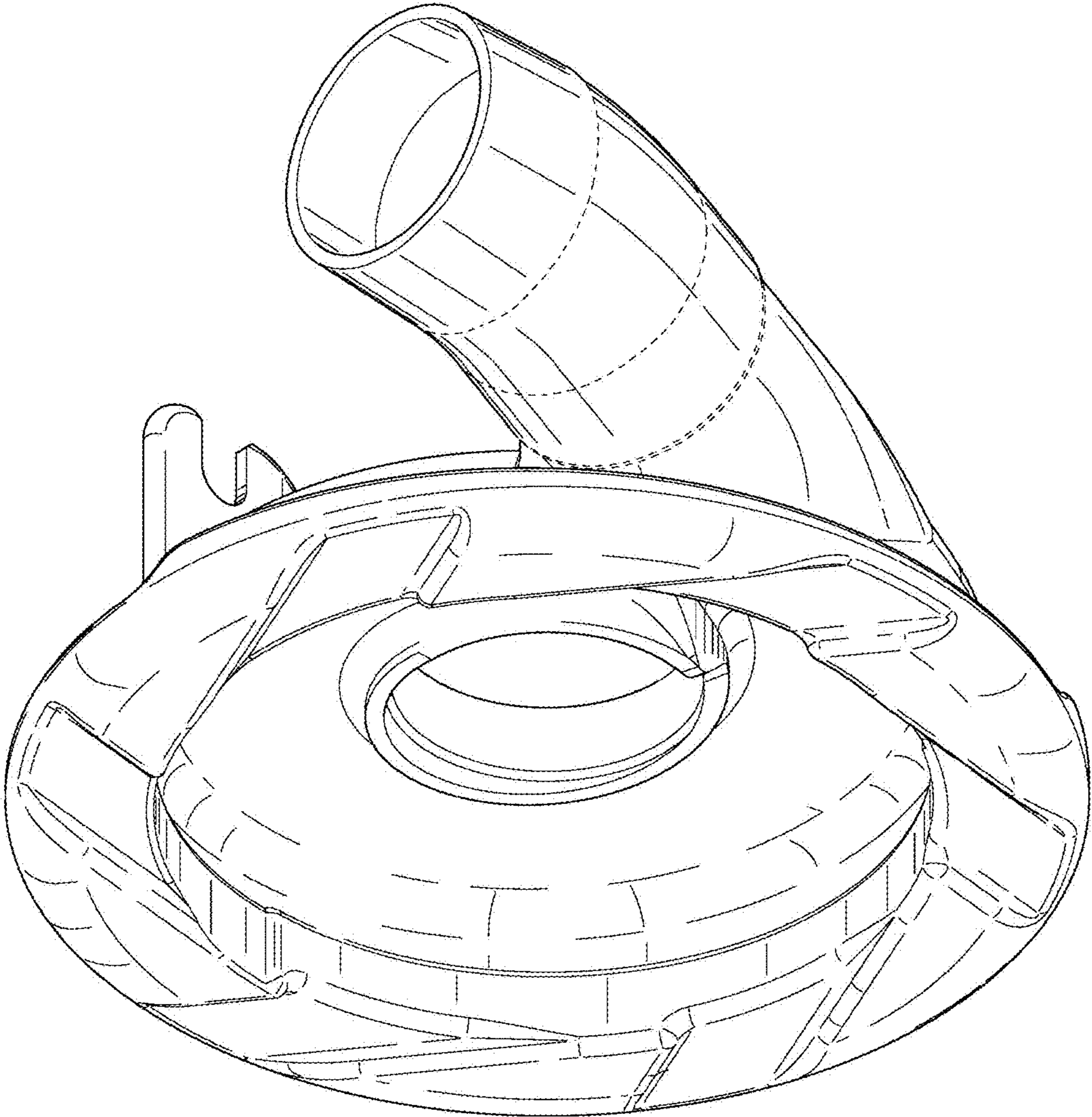


Figure 10

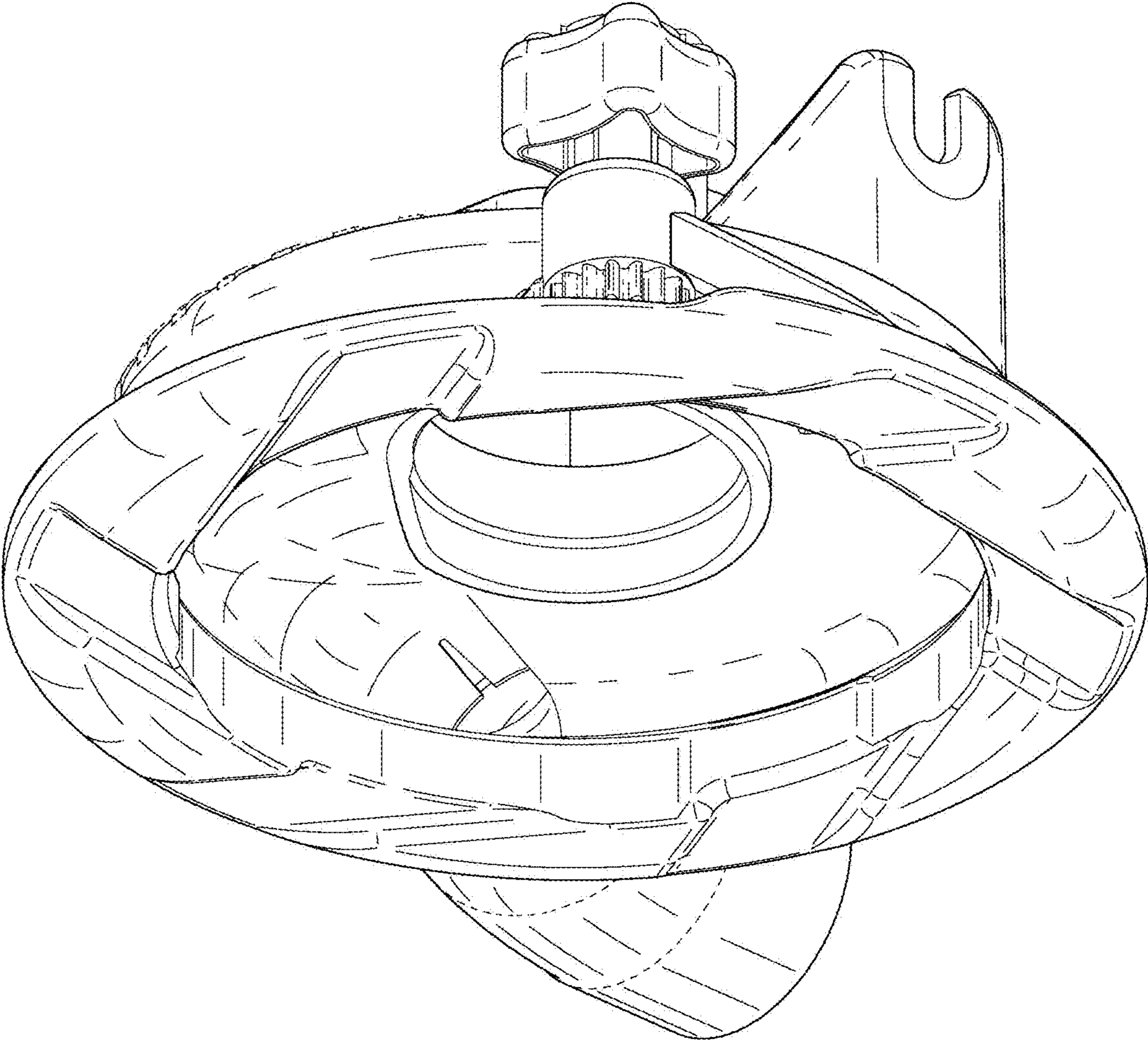


Figure 11

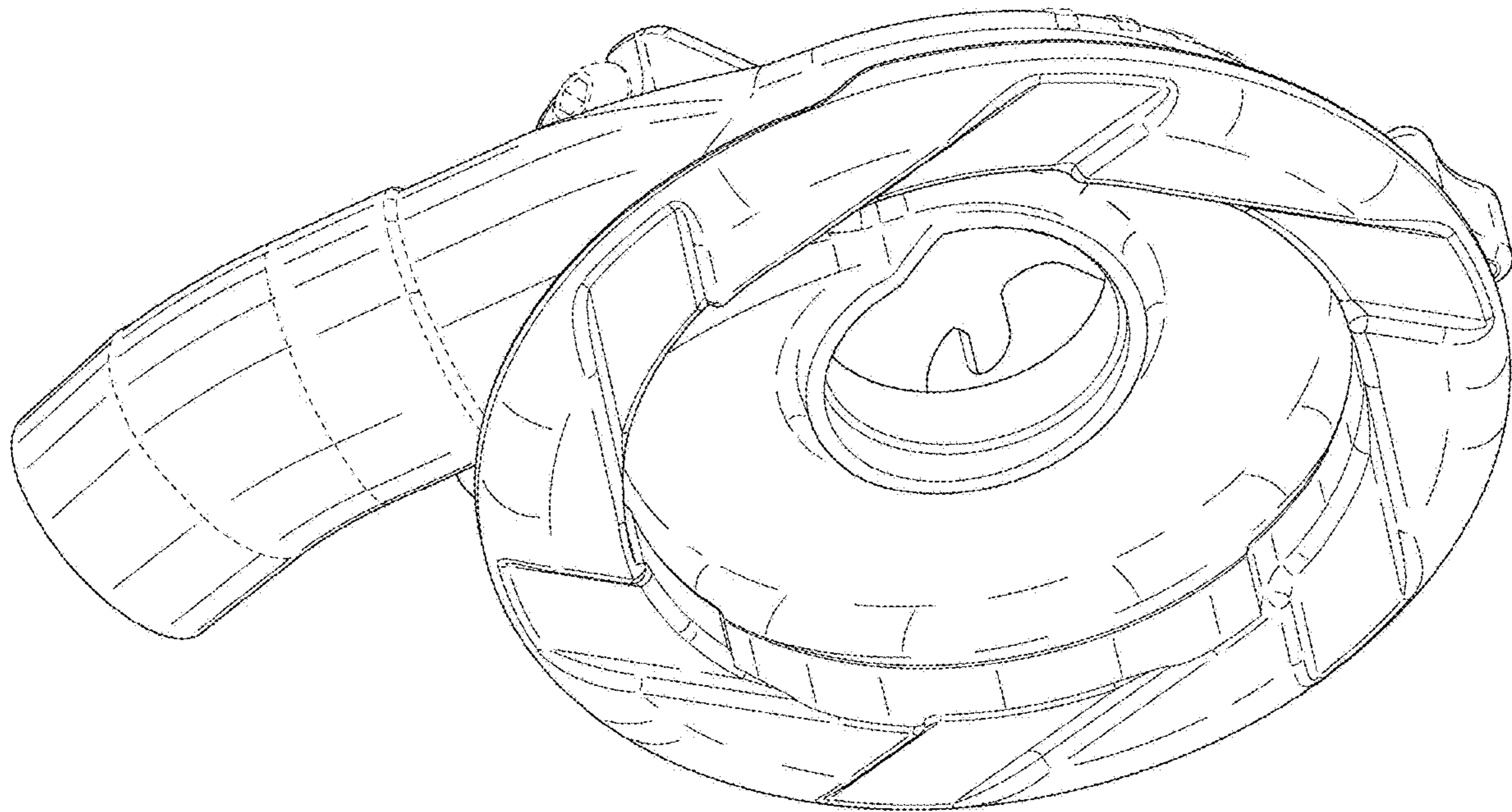


Figure 12