



US00D886875S

(12) **United States Design Patent**
Kuwaе et al.

(10) **Patent No.:** **US D886,875 S**
(45) **Date of Patent:** **** Jun. 9, 2020**

(54) **PORTION OF TRACTOR**

FOREIGN PATENT DOCUMENTS

(71) Applicant: **KUBOTA CORPORATION**, Osaka-shi (JP)

JP D1527642 S 6/2015

(72) Inventors: **Junta Kuwaе**, Sakai (JP); **Taiki Furuki**, Sakai (JP); **Megumi Sawai**, Sakai (JP); **Daisuke Yasunobe**, Sakai (JP); **Takanori Sato**, Sakai (JP)

OTHER PUBLICATIONS

Japanese Office Action for corresponding JP Design Application No. 2018-027955, dated Sep. 3, 2019 (w/ English machine translation).

(73) Assignee: **KUBOTA CORPORATION**, Osaka-Shi (JP)

(Continued)

(**) Term: **15 Years**

Primary Examiner — Mark A Goodwin

(74) *Attorney, Agent, or Firm* — Mori & Ward, LLP

(21) Appl. No.: **29/695,386**

(57) **CLAIM**

(22) Filed: **Jun. 19, 2019**

The ornamental design for a portion of tractor, as shown and described.

(30) **Foreign Application Priority Data**

DESCRIPTION

Dec. 20, 2018 (JP) D2018-027955

(51) **LOC (12) Cl.** **15-03**

(52) **U.S. Cl.**
USPC **D15/31**

(58) **Field of Classification Search**
USPC D15/10, 14, 15, 22–26, 33, 31; 180/69.2, 180/89.1, 89.12, 900; 56/12.7, 15.8, 16.7, 56/13.3, 10.1, 202, 320.1
CPC A01B 51/026; B62D 49/02; B62D 33/06; B62D 33/0604; B62D 33/0617; B62D 25/10; B60K 15/063; B60K 15/073; B60K 2015/0637

See application file for complete search history.

(56) **References Cited**

U.S. PATENT DOCUMENTS

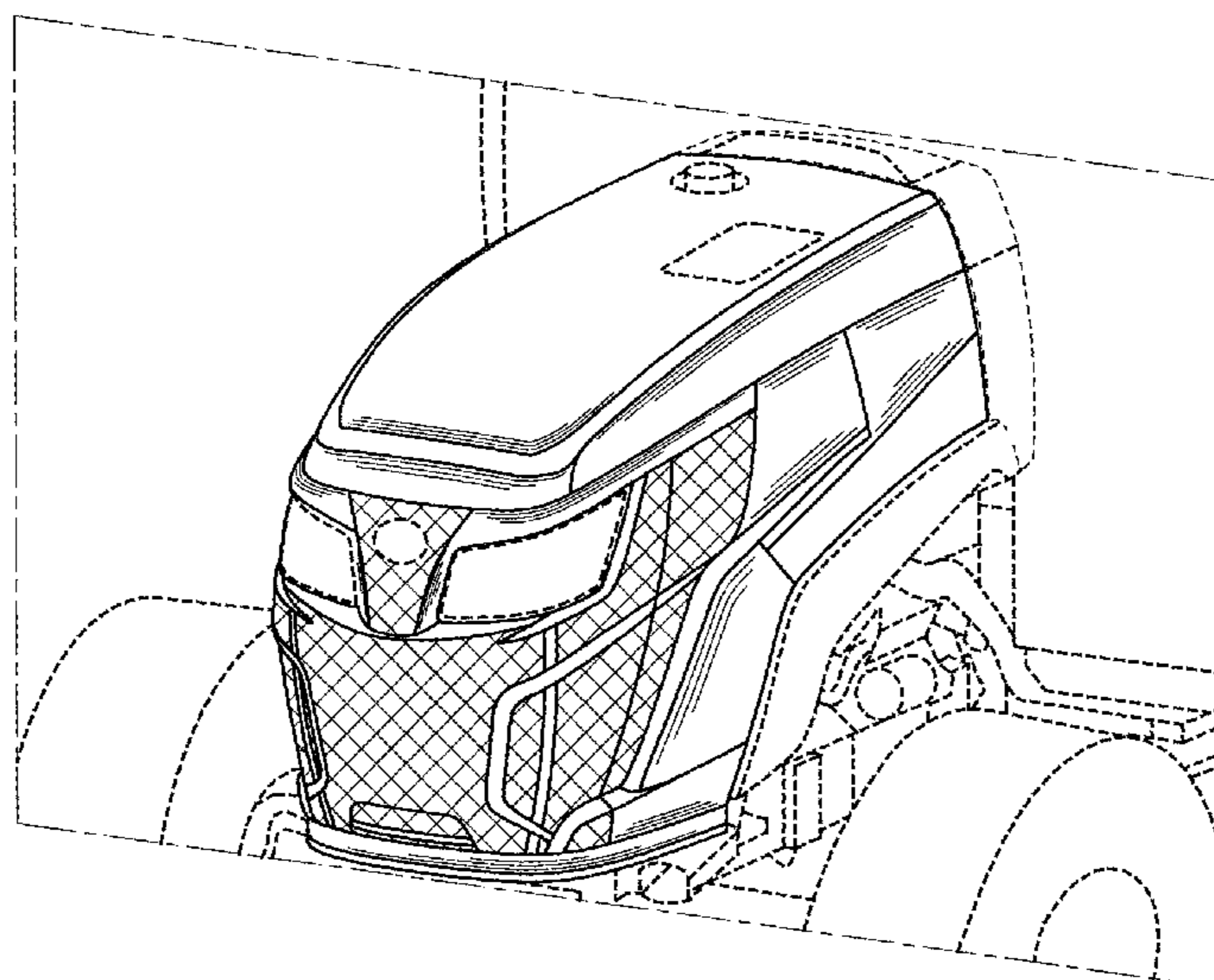
D521,532 S * 5/2006 Higashikawa D15/31
D533,882 S * 12/2006 Higashikawa D15/31
D591,777 S * 5/2009 Kokitkar D15/31
D620,503 S * 7/2010 Krogh D15/31

(Continued)

FIG. 1 is a front elevational view of a portion of tractor, showing our design;
FIG. 2 is a rear elevational view thereof;
FIG. 3 is a left side elevational view thereof;
FIG. 4 is a right side elevational view thereof;
FIG. 5 is a top plan view thereof;
FIG. 6 is an enlarged top and left front perspective view of the portion of tractor shown within an area defined by A-A' and B-B' in FIG. 3, the area being indicated by long dash short dash broken lines in FIG. 6;
FIG. 7 is an enlarged top and left rear perspective view of the portion of tractor shown within the area defined by A-A' and B-B' in FIG. 3, the area being indicated by long dash short dash broken lines in FIGS. 7; and,
FIG. 8 is an enlarged left side elevational view of the portion of tractor shown within an area defined by A-A' and B-B' in FIG. 3, the area being indicated by long dash short dash broken lines in FIG. 8.

All broken lines shown in the figures represent environmental structures and form no part of the claimed design.

1 Claim, 8 Drawing Sheets



(56)

References Cited

U.S. PATENT DOCUMENTS

D620,955	S	*	8/2010	Krogh	D15/31
D631,489	S	*	1/2011	Booth	D15/31
D632,312	S	*	2/2011	Booth	D15/31
D646,305	S	*	10/2011	Krogh	D15/31
D655,317	S	*	3/2012	Hagele	D15/31
D655,318	S	*	3/2012	Hagele	D15/31
D661,323	S	*	6/2012	Krogh	D15/31
D668,695	S	*	10/2012	Ringer	D15/31
D675,233	S	*	1/2013	Kushita	D15/31
D676,466	S	*	2/2013	Ewringmann	D15/20
D706,841	S	*	6/2014	Shimomura	D15/31
D707,729	S	*	6/2014	Jackson	D15/31
D707,730	S	*	6/2014	Jackson	D15/31
D714,838	S	*	10/2014	Shimomura	D15/31
D716,348	S	*	10/2014	Ryan	D15/31
D716,846	S	*	11/2014	Carter	D15/31
D733,767	S	*	7/2015	Kushita	D15/31
D753,194	S	*	4/2016	Jackson	D15/31
D765,740	S	*	9/2016	Jackson	D15/31
D766,340	S	*	9/2016	Jackson	D15/31
D766,341	S	*	9/2016	Jacobsthal	D15/31
D768,210	S	*	10/2016	Jacobsthal	D15/31
D777,219	S	*	1/2017	Hanke	D15/31
D777,220	S	*	1/2017	Powell	D15/31
D778,963	S	*	2/2017	Yang	D15/31
D785,681	S	*	5/2017	Okuyama	D15/31
D804,539	S	*	12/2017	Okuyama	D15/31

OTHER PUBLICATIONS

Notice for corresponding JP Design Application No. 2018-027955,
dated Sep. 3, 2019 (w/ English machine translation).

* cited by examiner

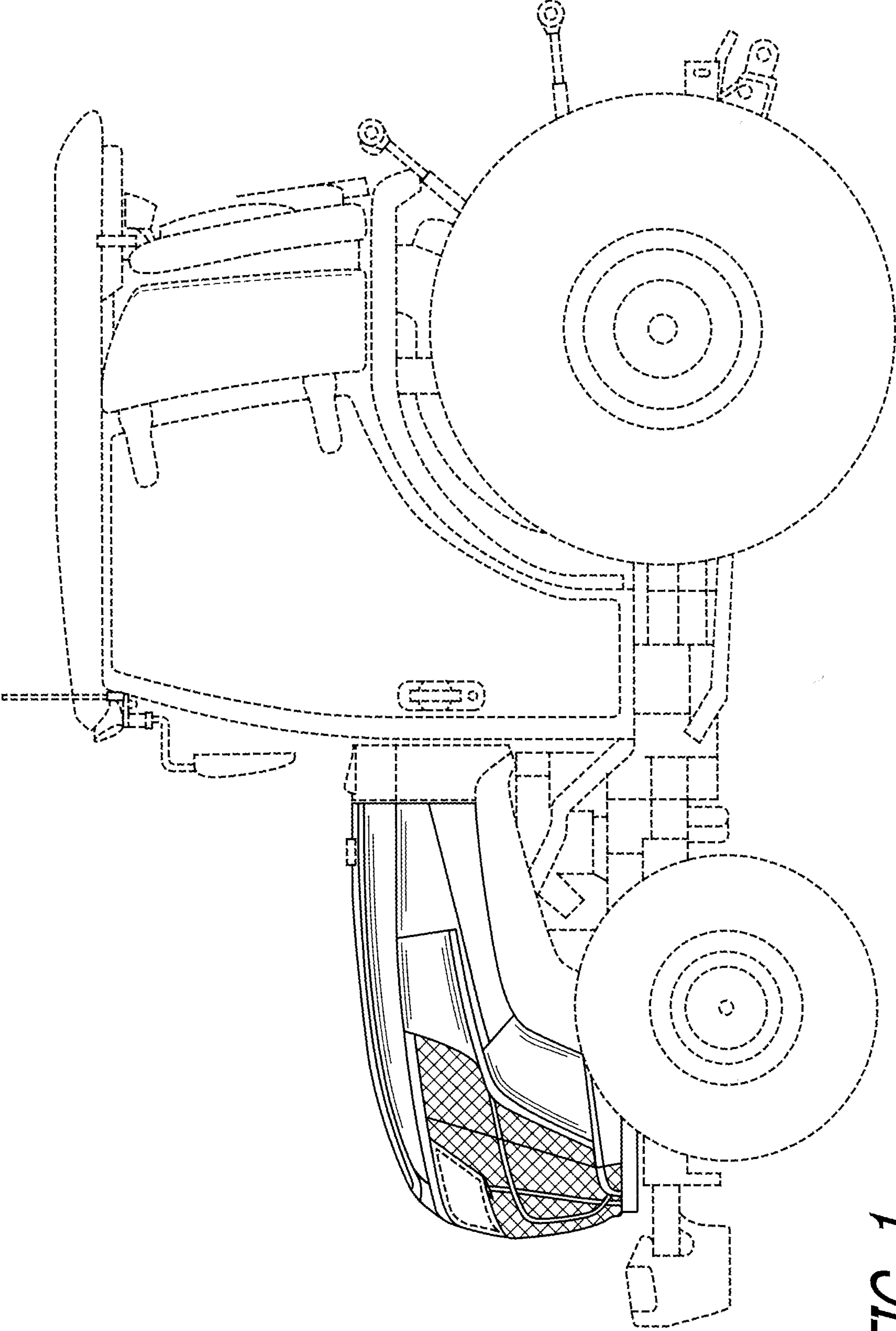


FIG. 1

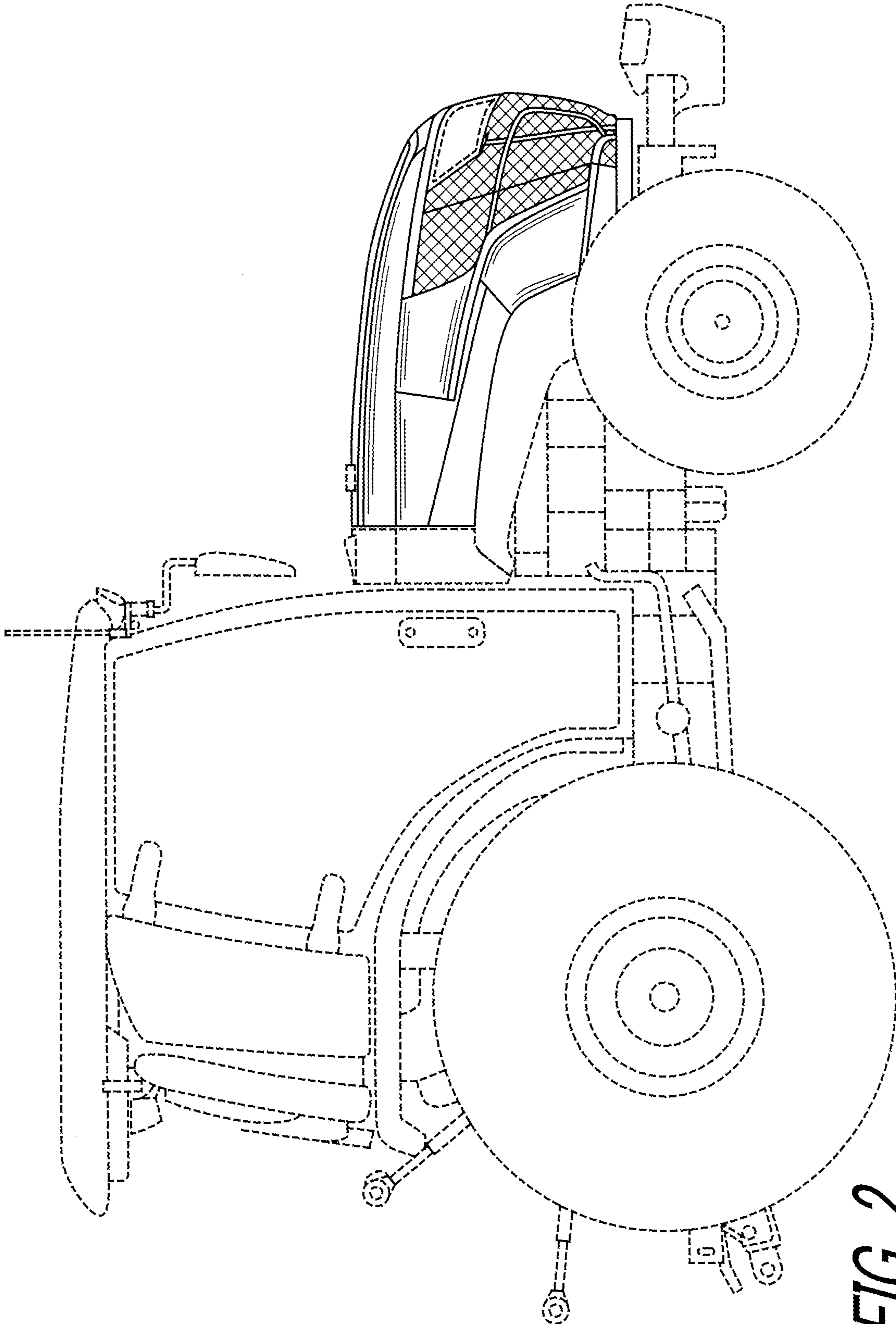


FIG. 2

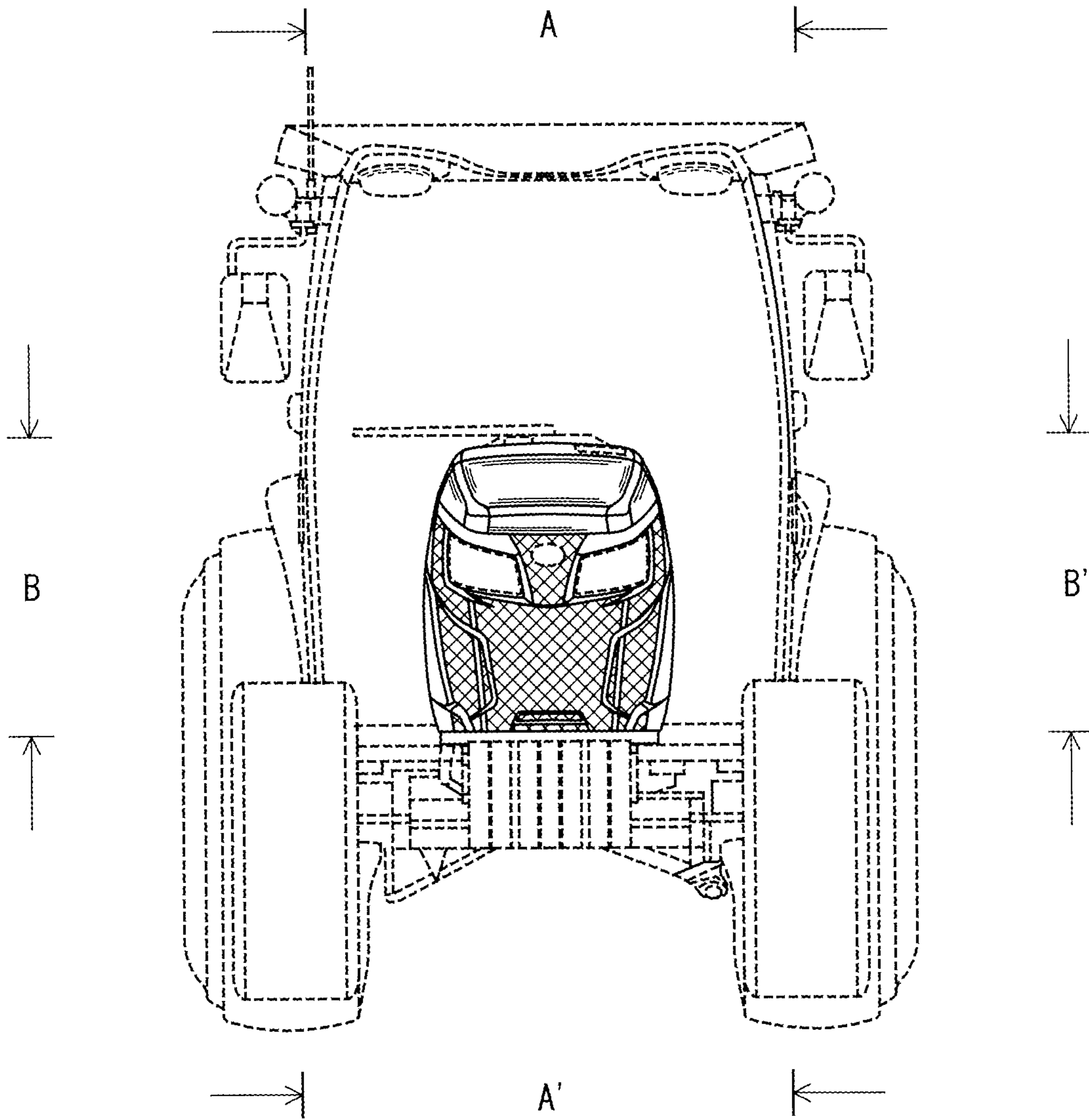


FIG. 3

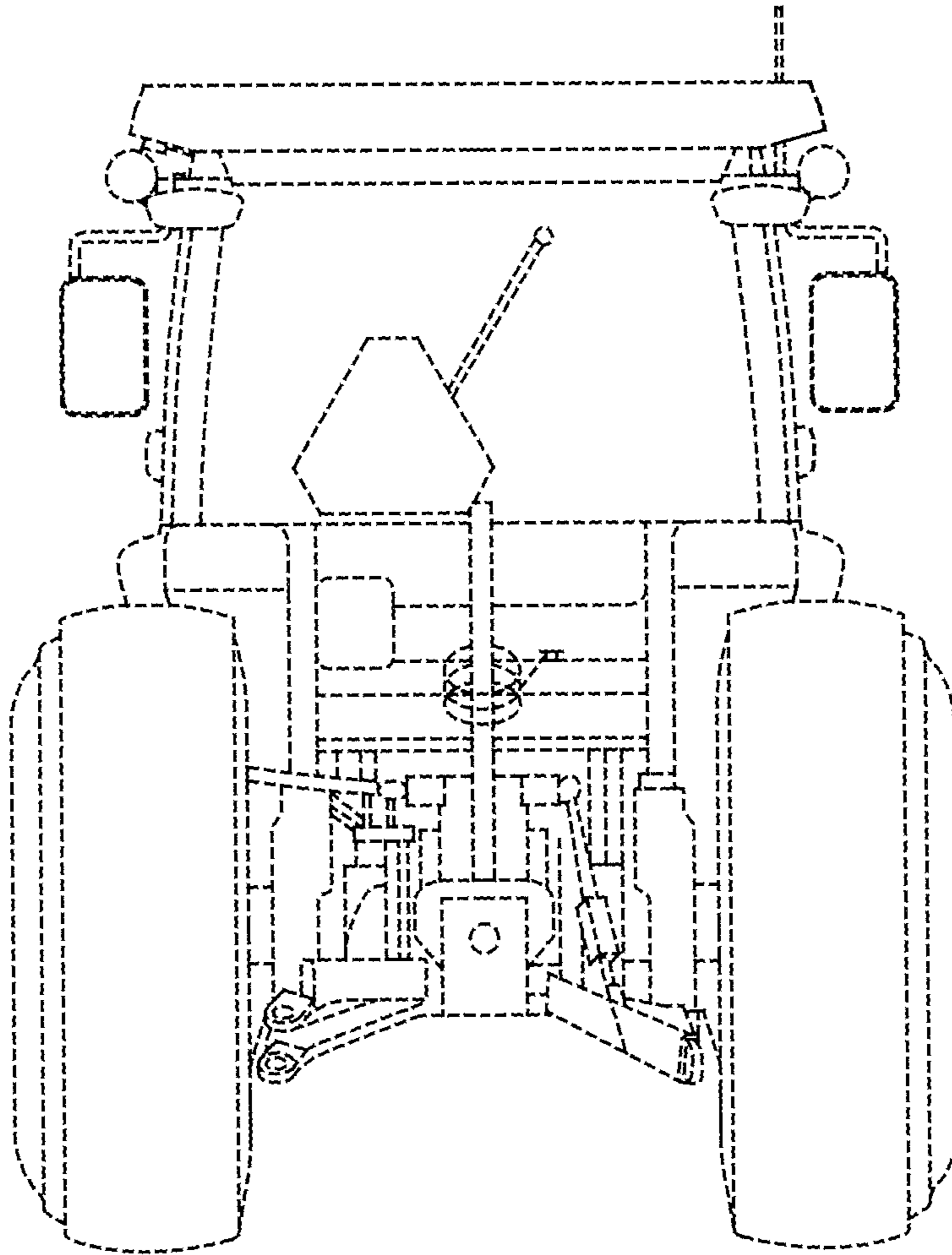


FIG. 4

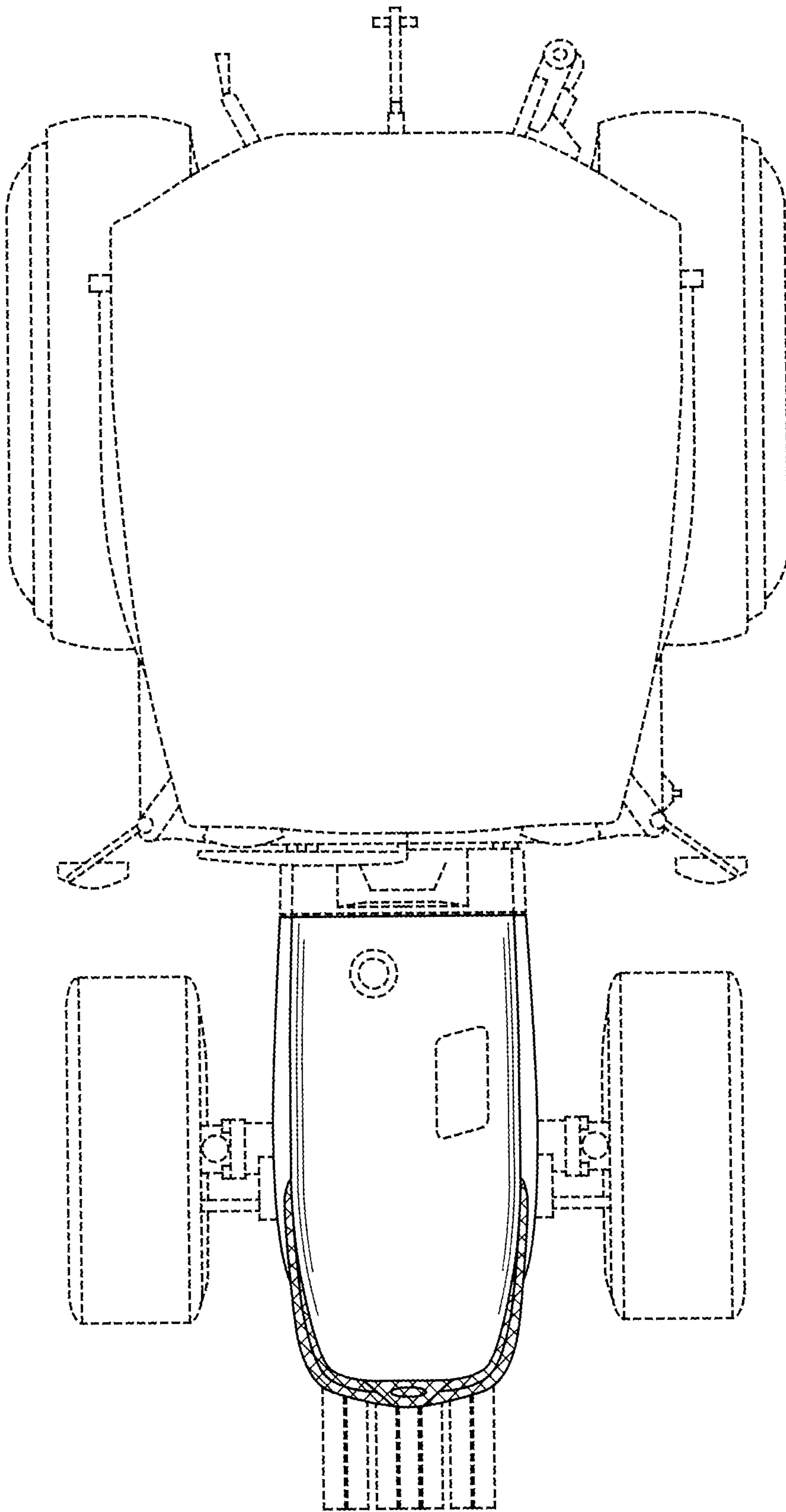


FIG. 5

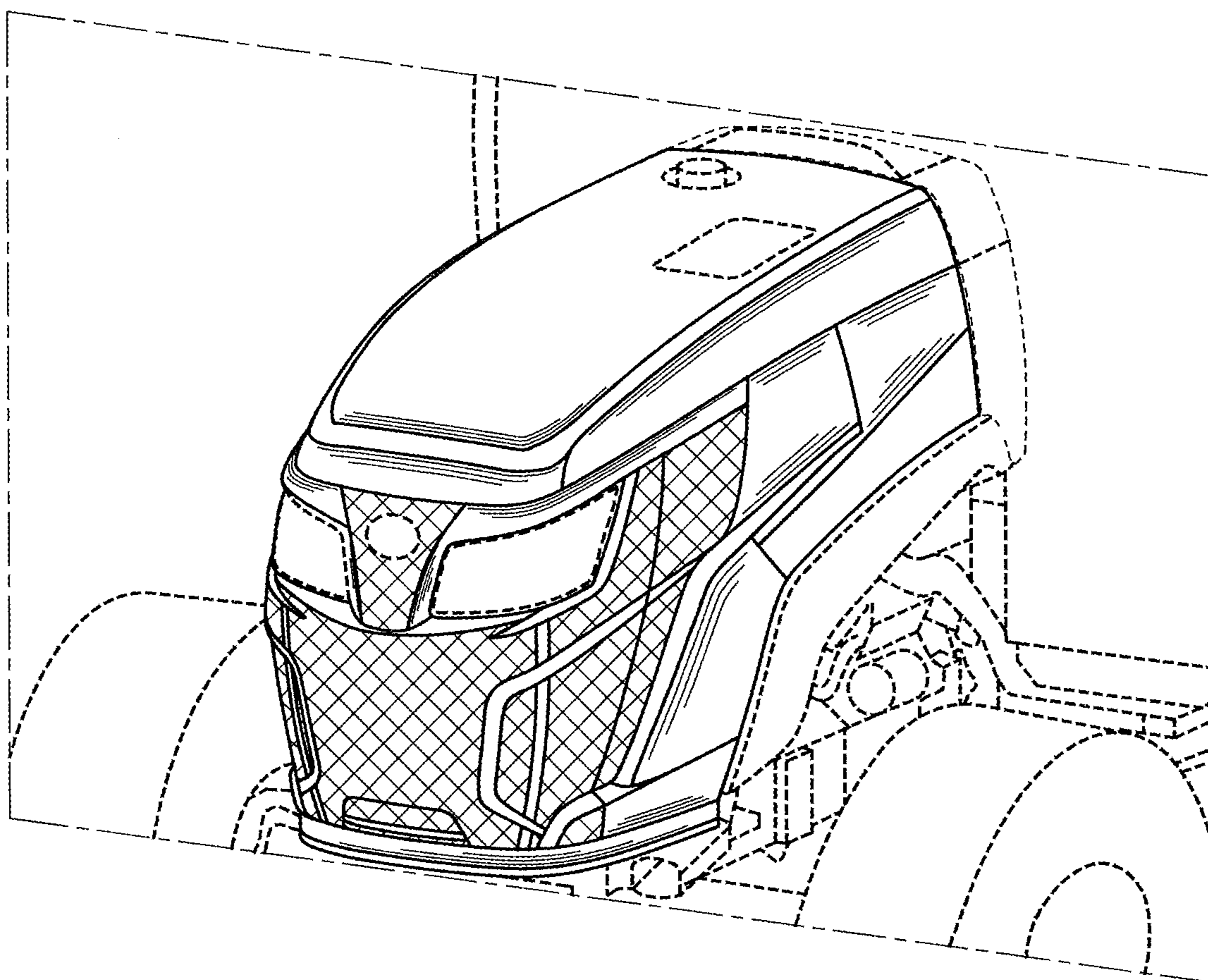


FIG. 6

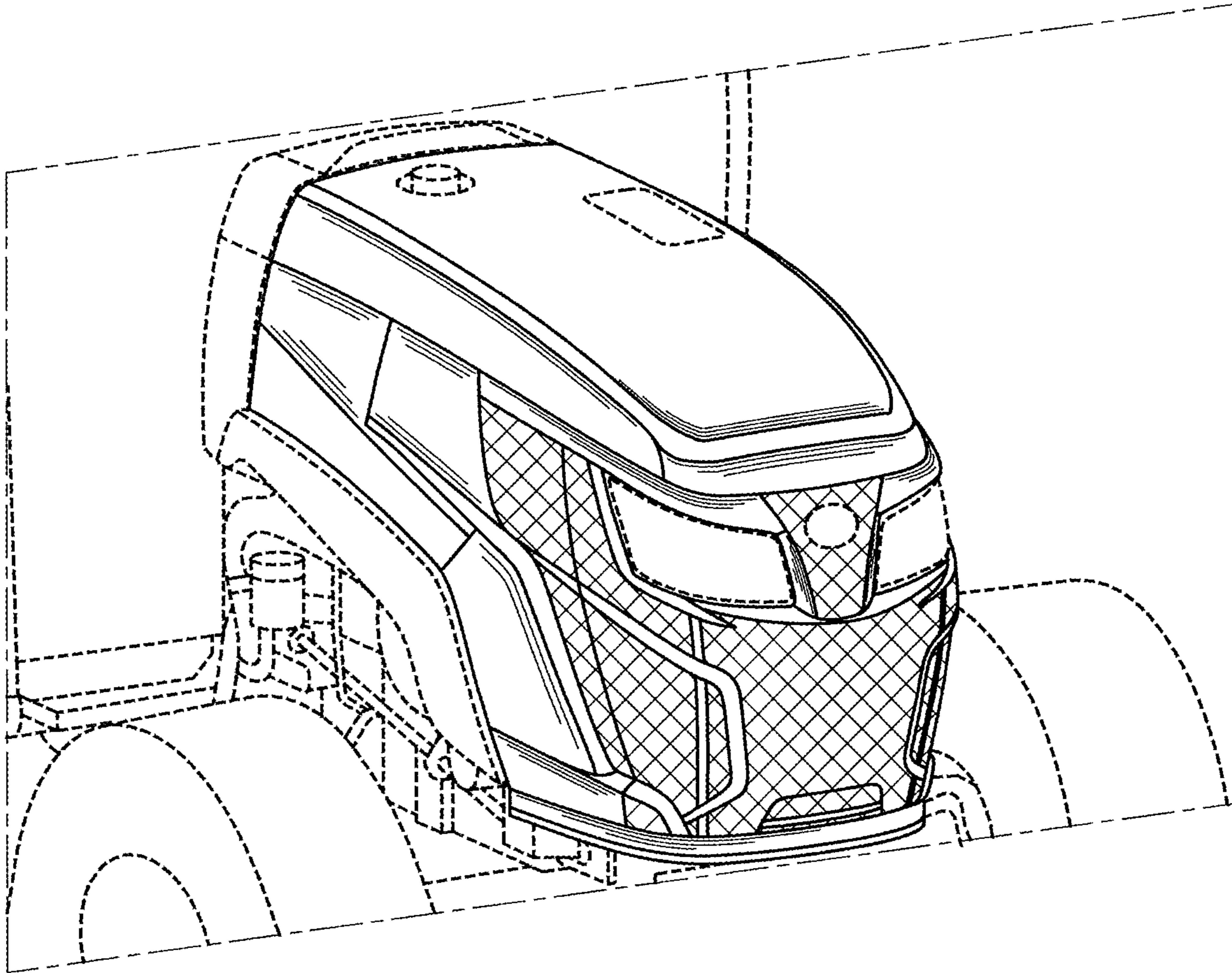


FIG. 7

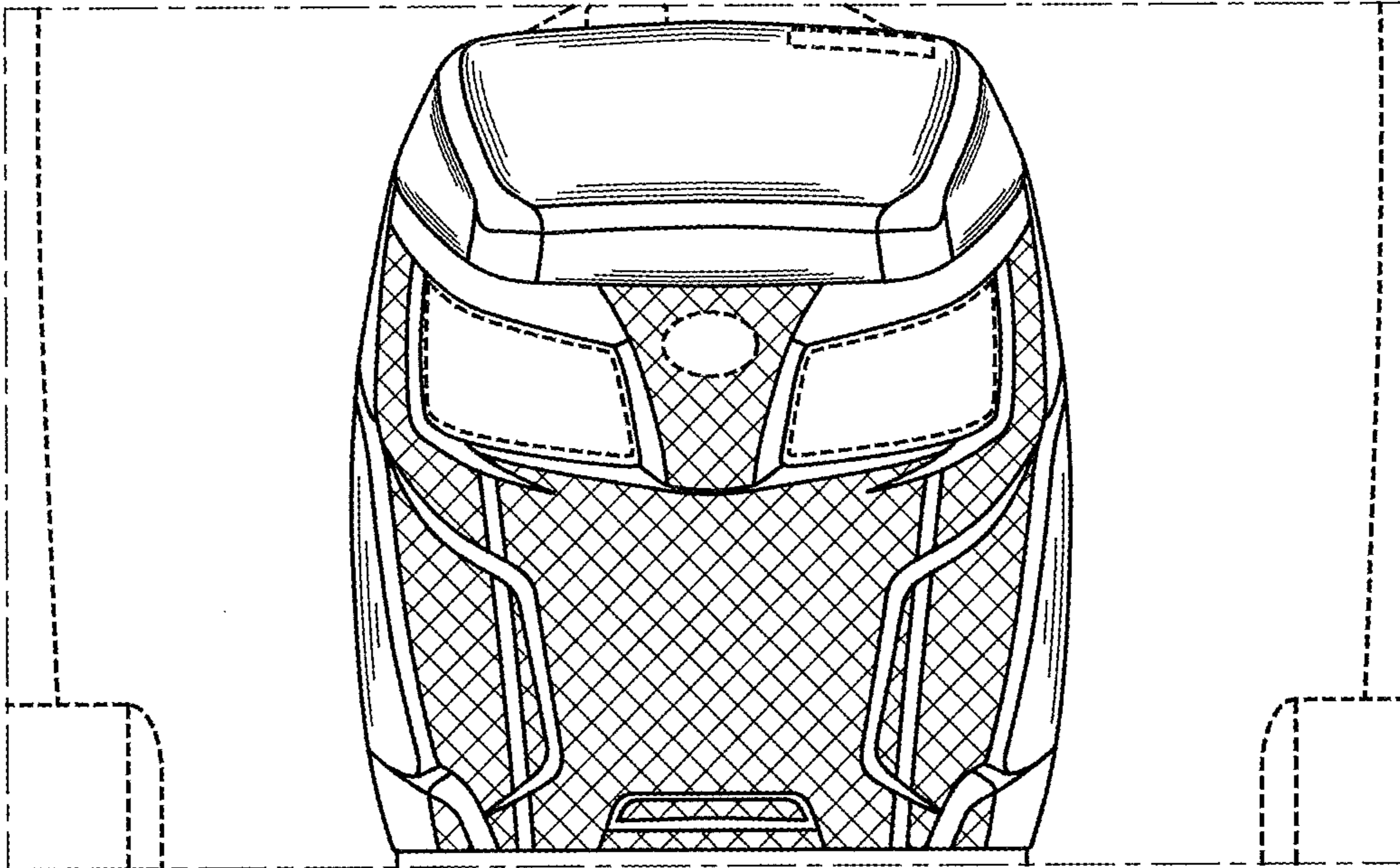


FIG. 8