



US00D886874S

(12) **United States Design Patent** (10) **Patent No.:** **US D886,874 S**
Kan (45) **Date of Patent:** **** Jun. 9, 2020**

(54) **TIRE REPAIR KIT**
(71) Applicant: **Wong Wai Kan**, Shanghai (CN)
(72) Inventor: **Wong Wai Kan**, Shanghai (CN)
(**) Term: **15 Years**
(21) Appl. No.: **29/654,677**
(22) Filed: **Jun. 26, 2018**

D657,383 S * 4/2012 Wang D15/7
8,146,622 B2 * 4/2012 Guan B29C 73/166
141/114
D663,747 S * 7/2012 Marini D15/9
D834,069 S * 11/2018 Kan D15/9
D842,354 S * 3/2019 Marini D15/199

* cited by examiner

Primary Examiner — Mitchell I. Siegel
(74) *Attorney, Agent, or Firm* — Banner & Witcoff, Ltd.

(57) **CLAIM**

The ornamental design for a tire repair kit, as shown and described.

DESCRIPTION

The patent or application file contains at least one drawing executed in color. Copies of this patent or patent application with color drawings(s) will be provided by the Office upon request and payment of the necessary fee.

FIG. 1 is a front view of a tire repair kit according to a first embodiment showing my design;
FIG. 2 is a rear view thereof;
FIG. 3 is a left side view thereof;
FIG. 4 is a right side view thereof;
FIG. 5 is a top view thereof;
FIG. 6 is a bottom view thereof;
FIG. 7 is a front view of a tire repair kit according to a second embodiment showing my design;
FIG. 8 is a rear view thereof;
FIG. 9 is a left side view thereof;
FIG. 10 is a right side view thereof;
FIG. 11 is a top view thereof; and
FIG. 12 is a bottom view thereof.

The broken lines showing of various elements and indicia on the top and bottom of the tire repair kit represent portions which form no part of the claimed design.

1 Claim, 8 Drawing Sheets
(8 of 8 Drawing Sheet(s) Filed in Color)

Related U.S. Application Data

(63) Continuation of application No. 29/595,117, filed on Feb. 24, 2017, now Pat. No. Des. 834,069.

Foreign Application Priority Data

Aug. 25, 2016 (CN) 2016 3 0424028

(51) **LOC (12) Cl.** **15-02**

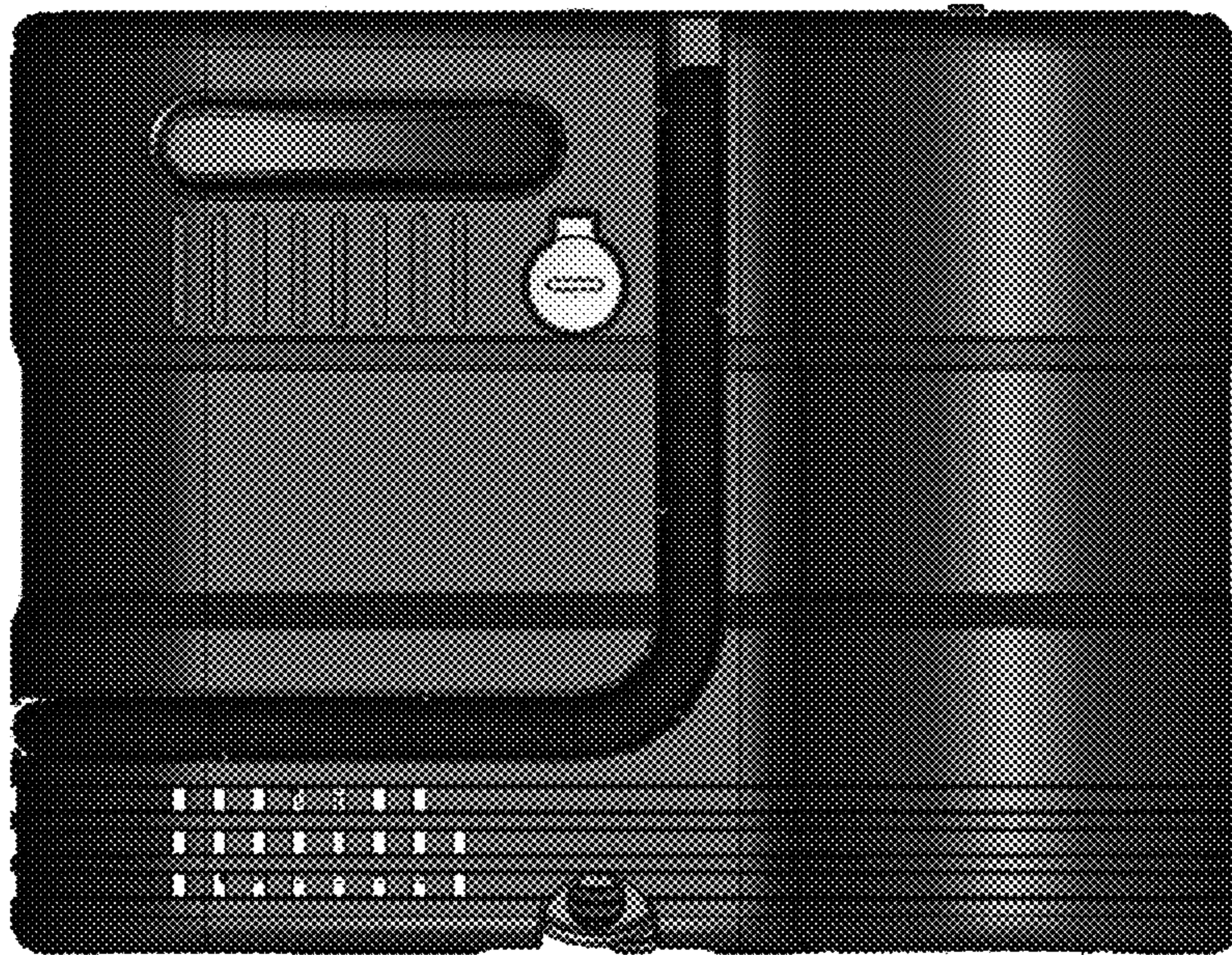
(52) **U.S. Cl.**
USPC **D15/9; D15/199**

(58) **Field of Classification Search**
USPC D15/7-9; D23/231, 232, 225
CPC F02M 37/04; F02M 37/14; F04B 53/92;
F04B 1/005; F04D 13/05; F04D 29/22;
F04D 29/046; F04D 29/2266
See application file for complete search history.

(56) **References Cited**

U.S. PATENT DOCUMENTS

D375,505 S * 11/1996 Wong D15/9
D428,020 S * 7/2000 Bonzer D15/7
D515,103 S * 2/2006 Chou D15/9
D534,447 S * 1/2007 Marini D10/86
D544,895 S * 6/2007 Izumoto D15/199
D557,299 S * 12/2007 Marini D15/199
D613,320 S * 4/2010 Marini D15/199
D645,056 S * 9/2011 Marini D15/9



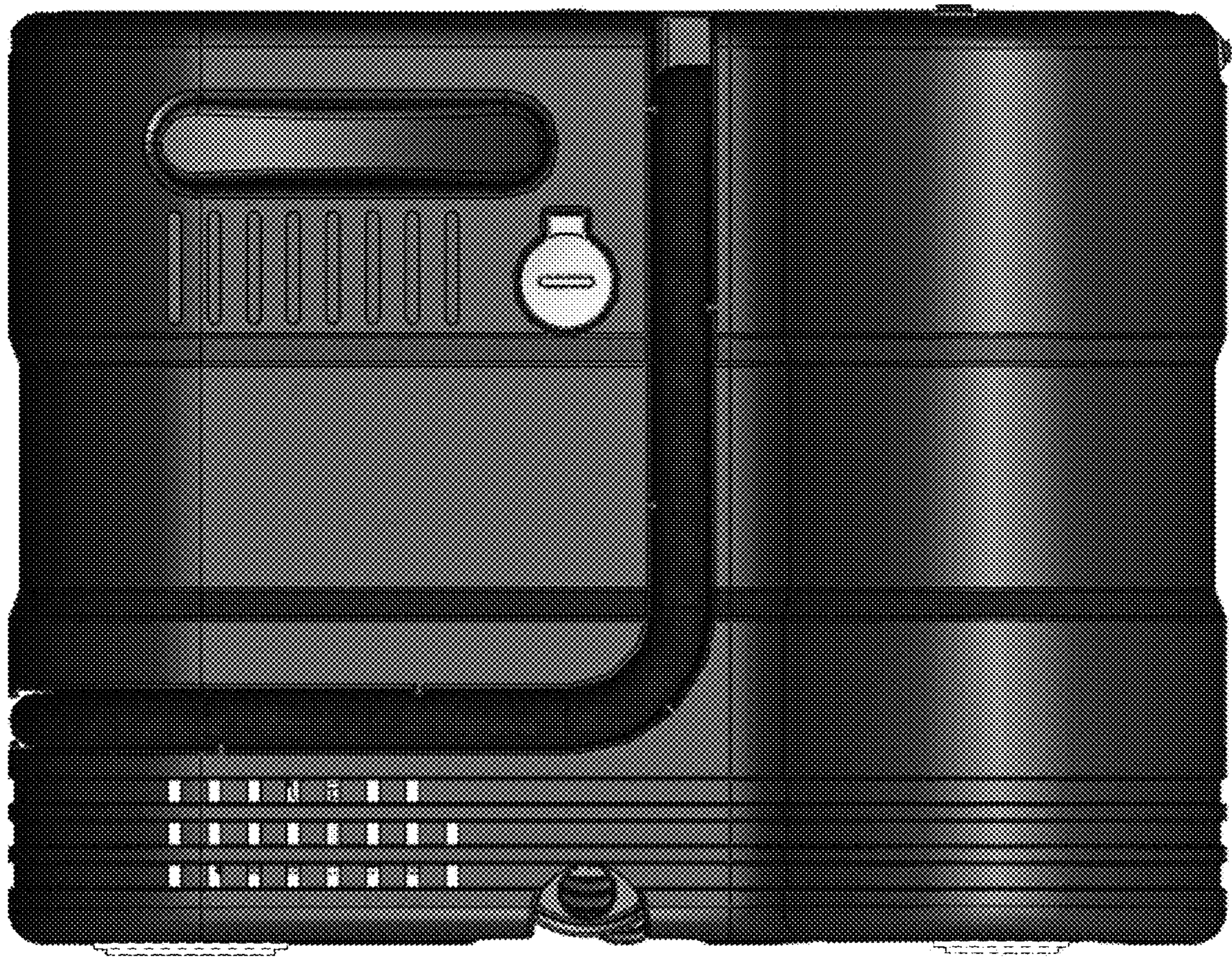


FIG. 1

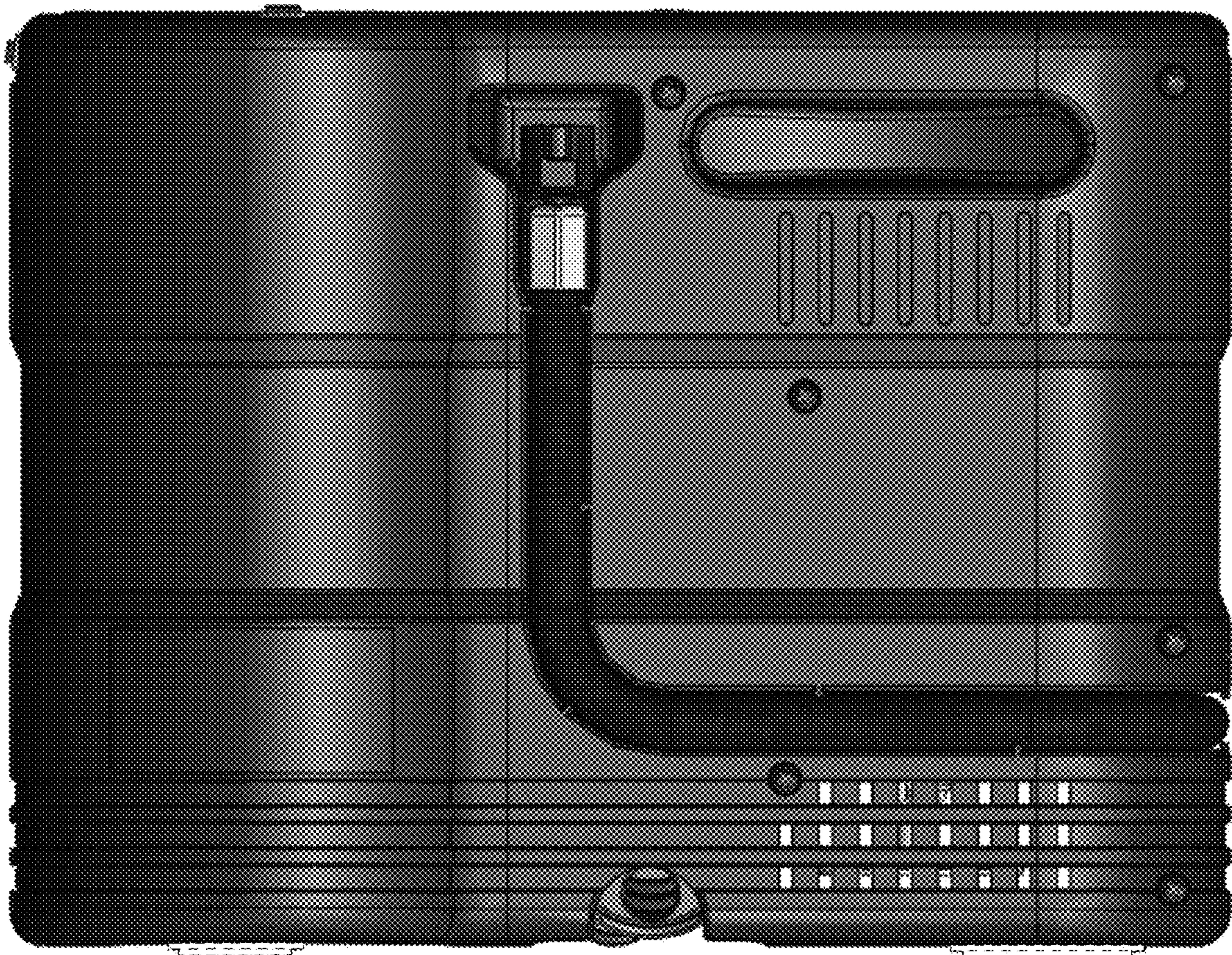


FIG. 2

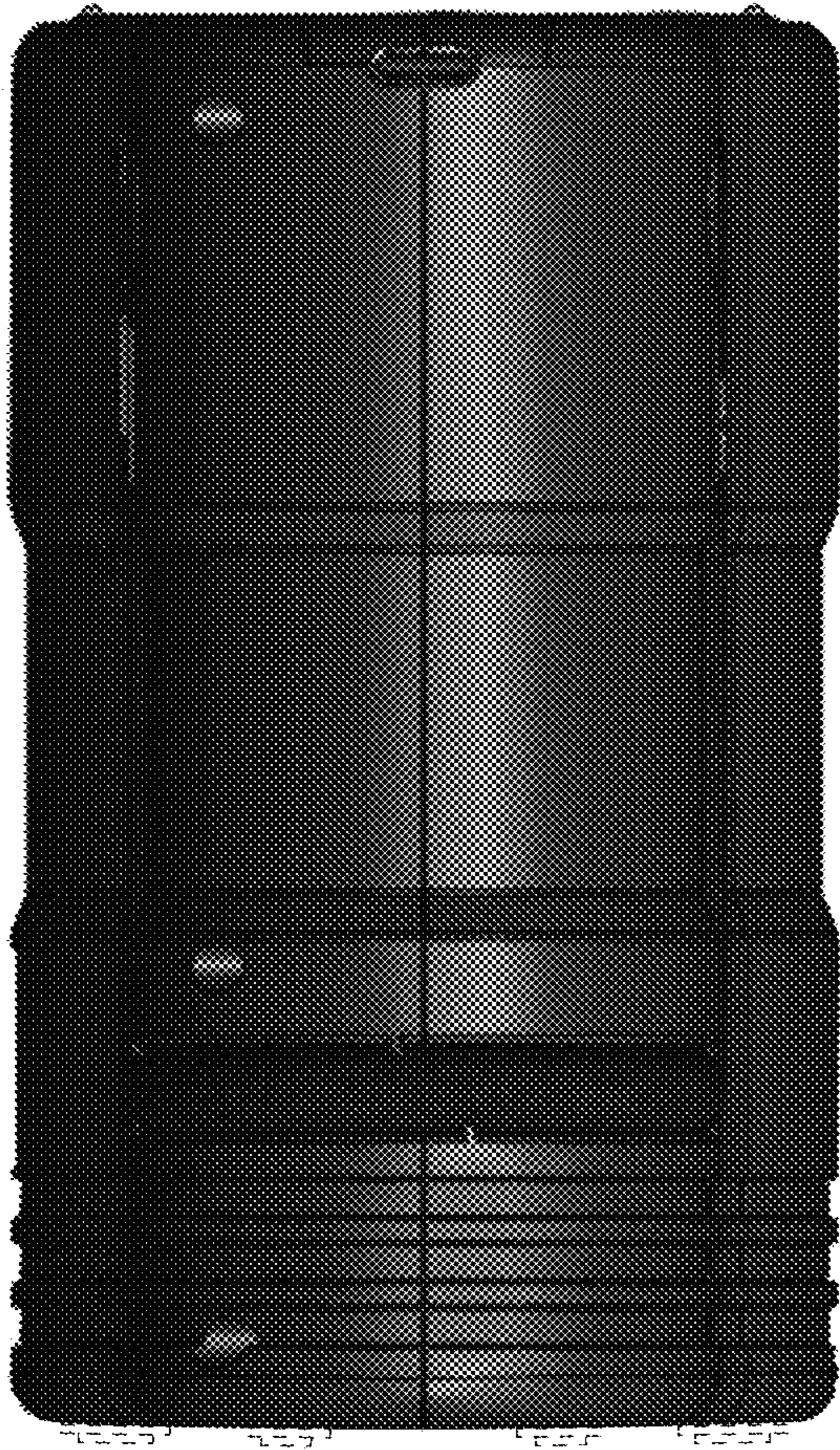


FIG. 3

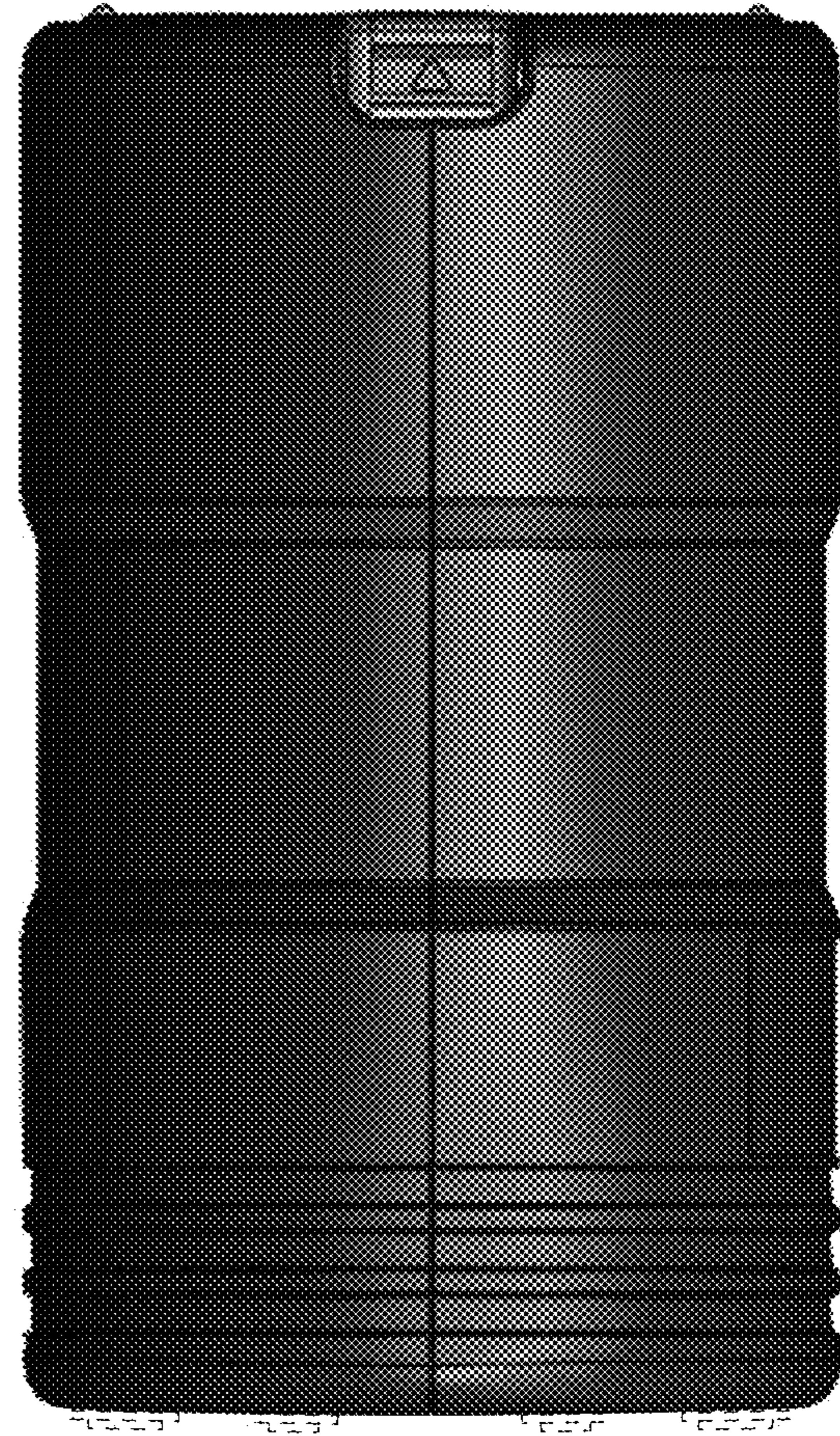


FIG. 4

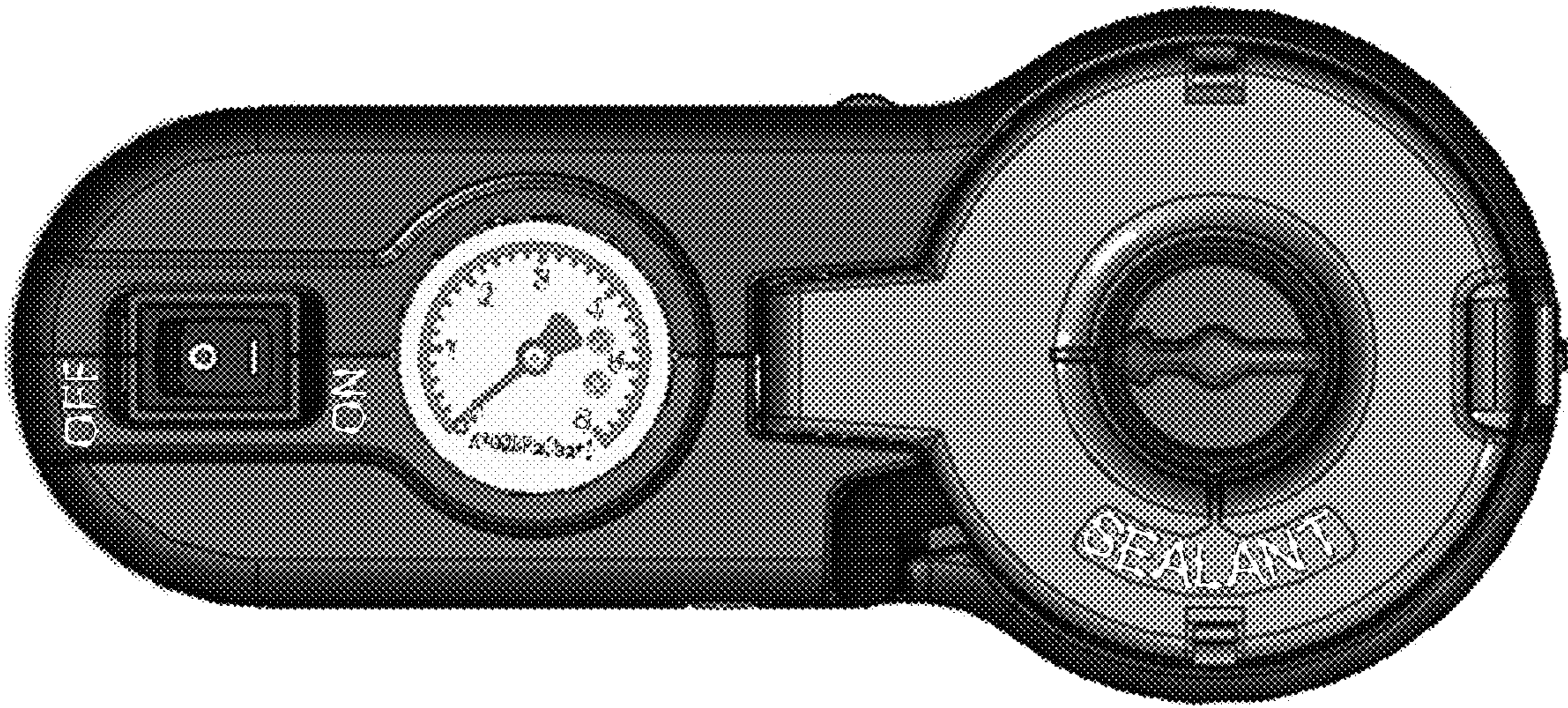


FIG. 5

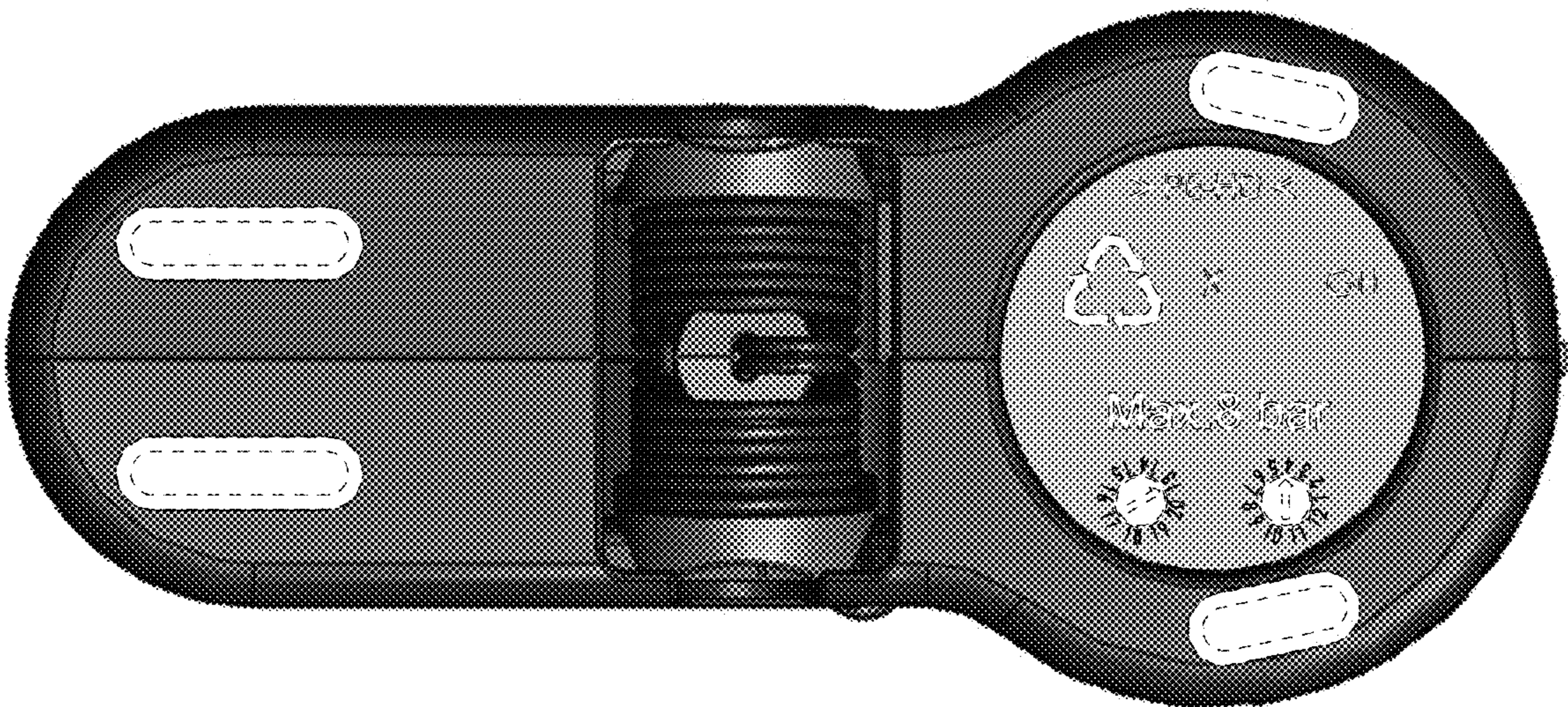


FIG. 6

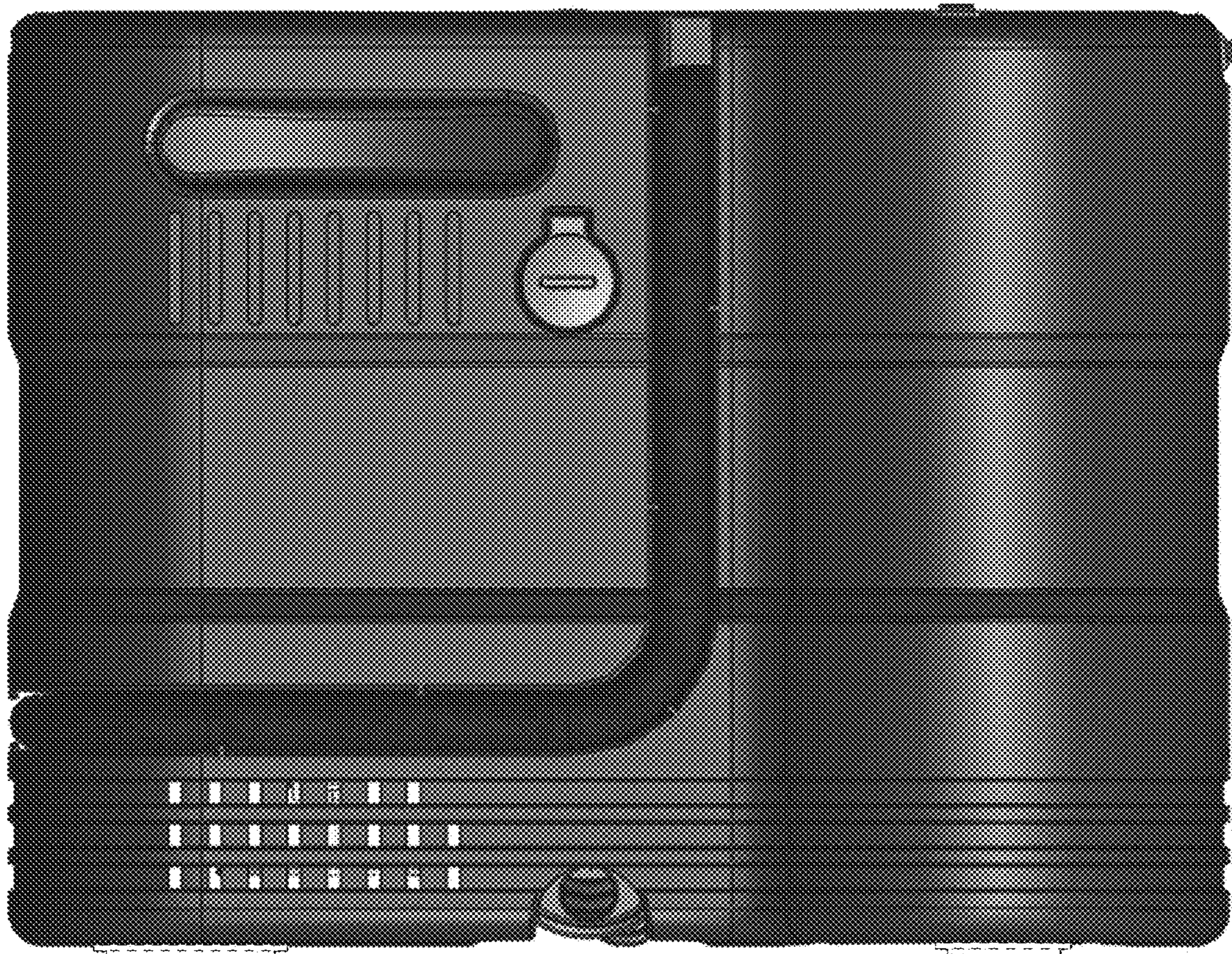


FIG. 7

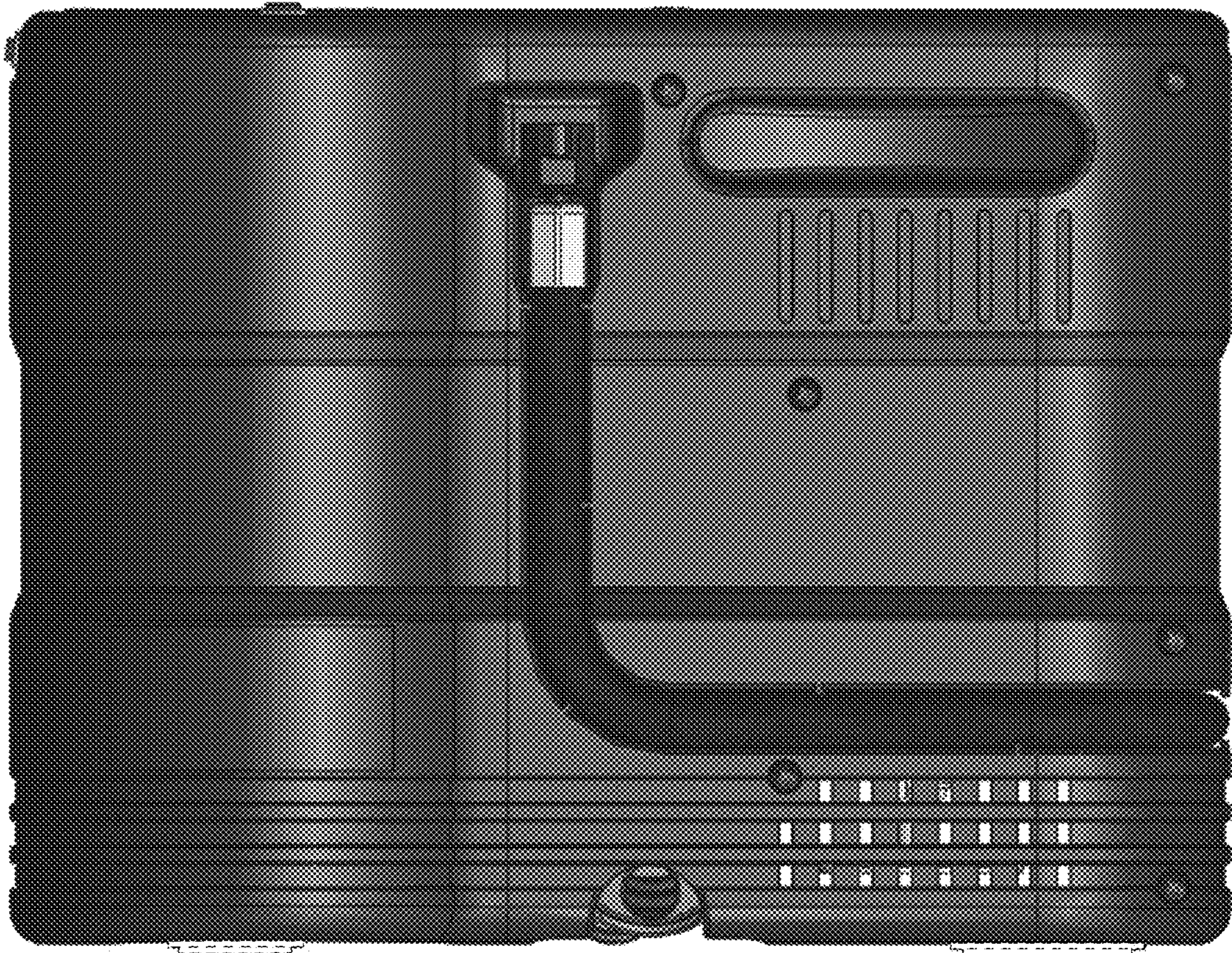


FIG. 8

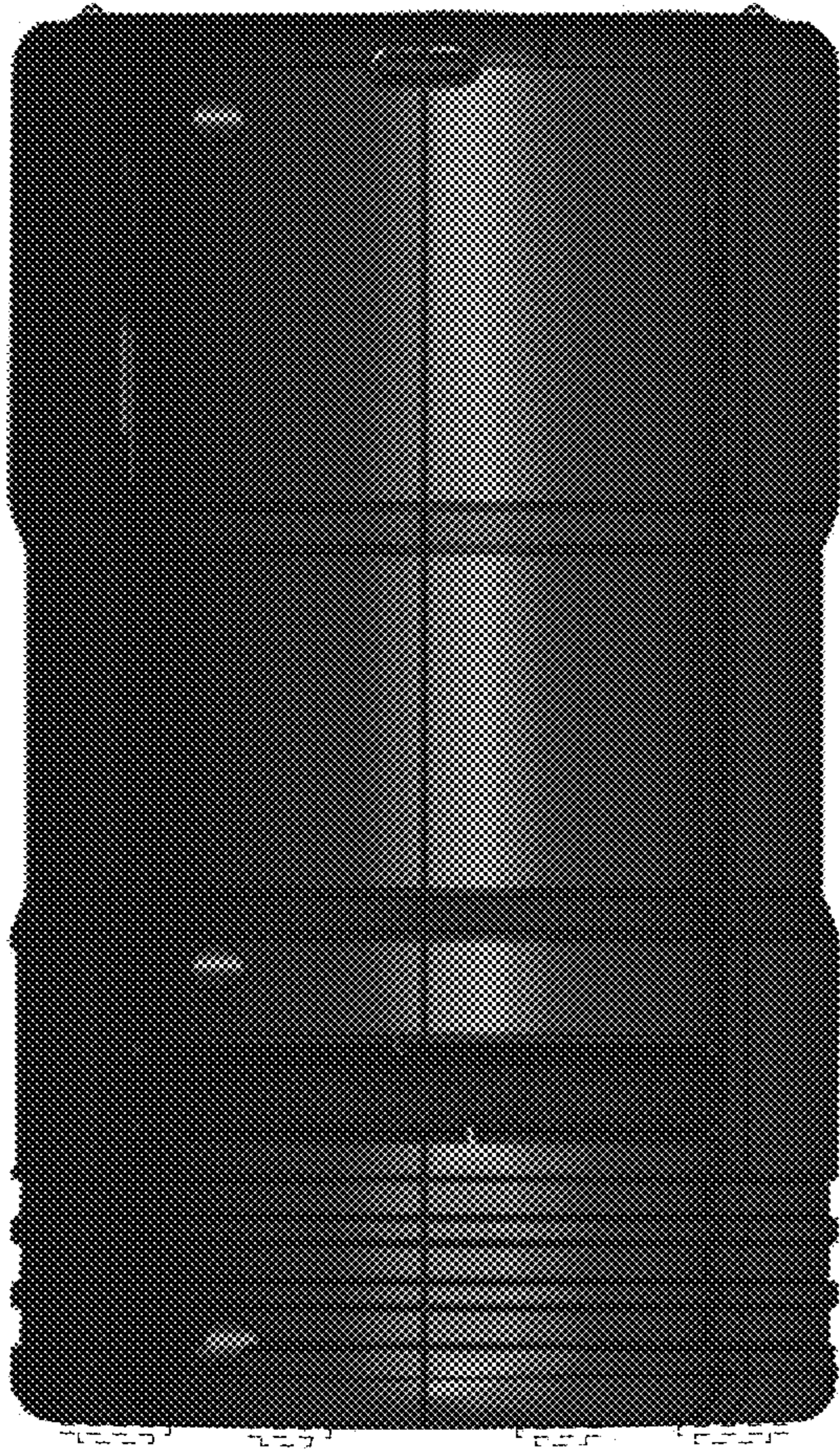


FIG. 9

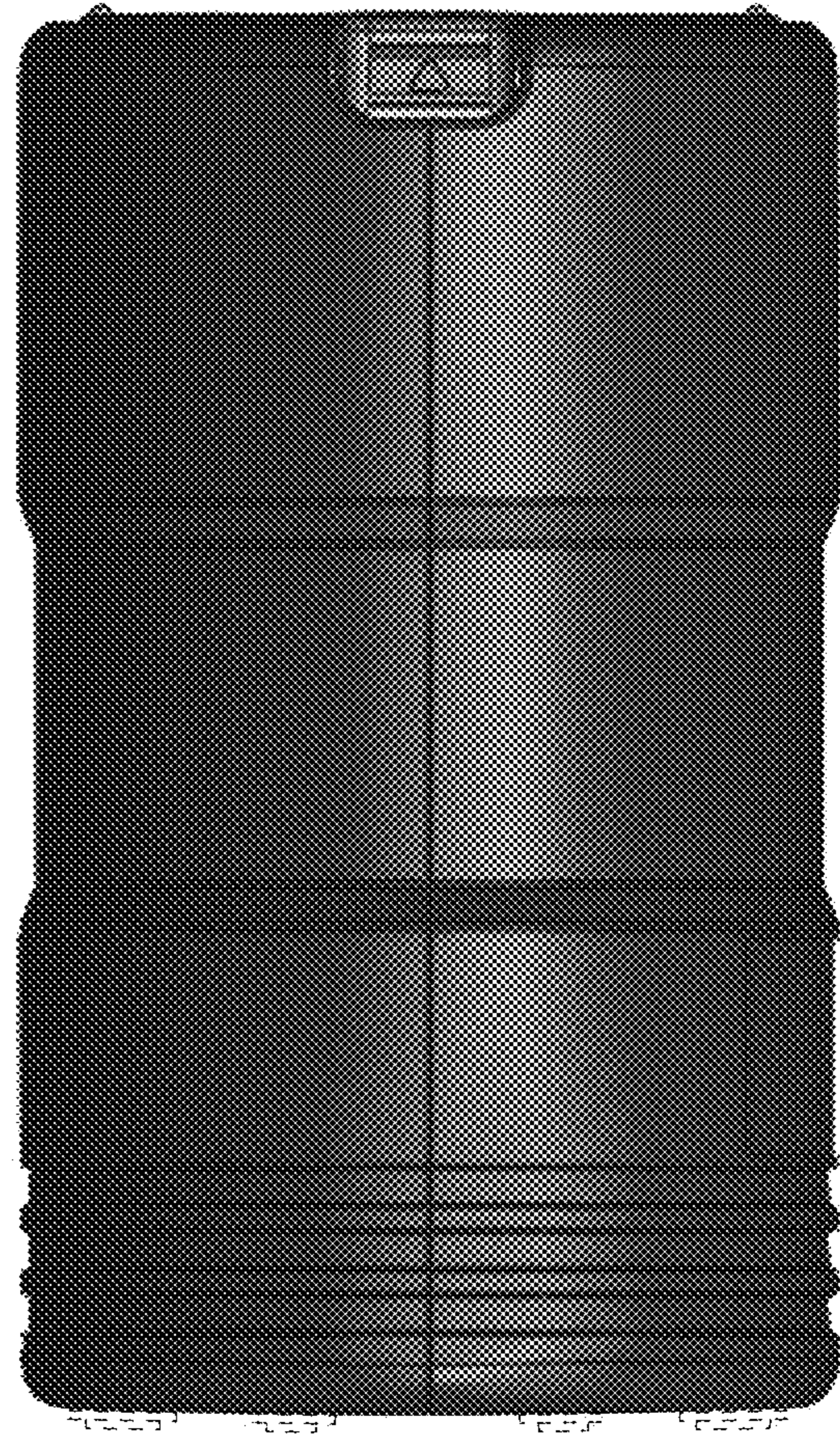


FIG. 10

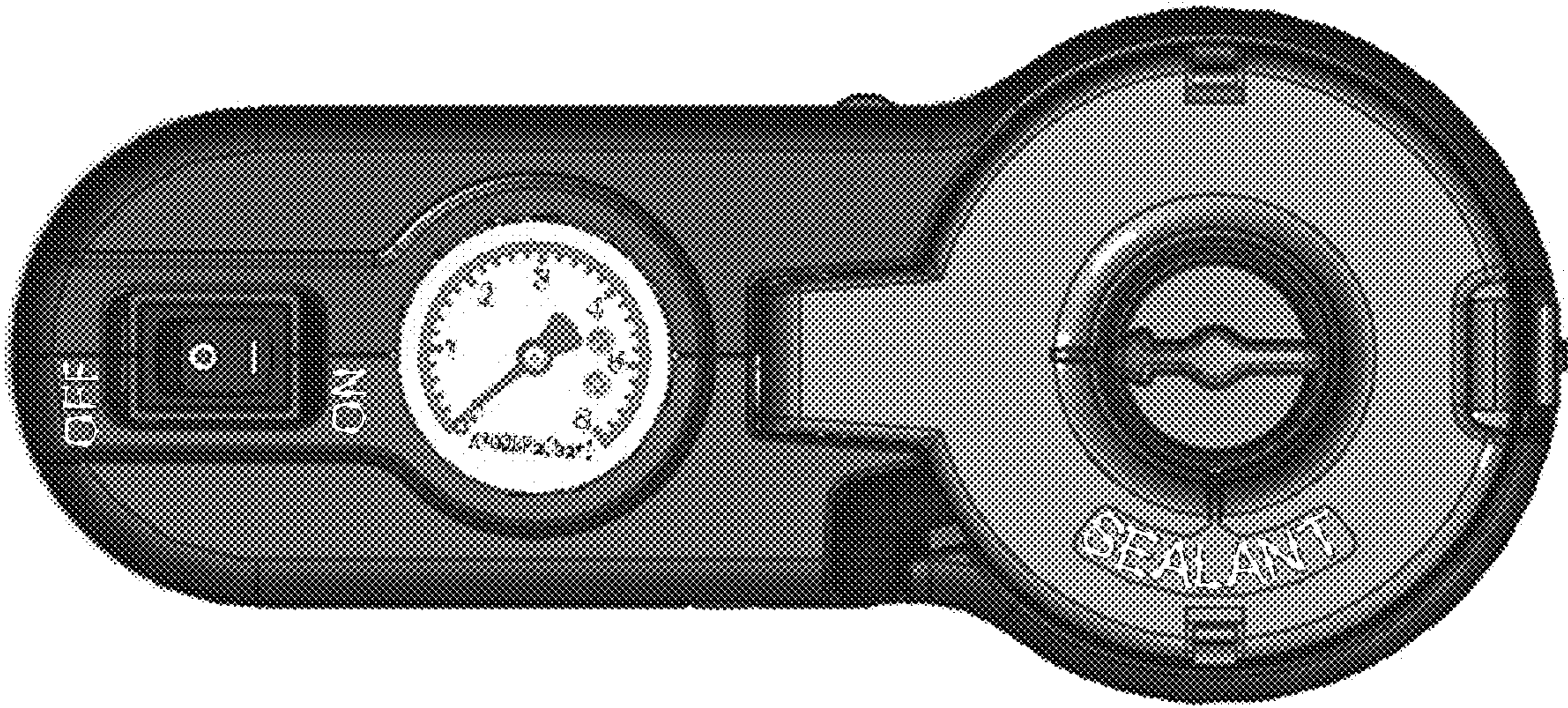


FIG. 11

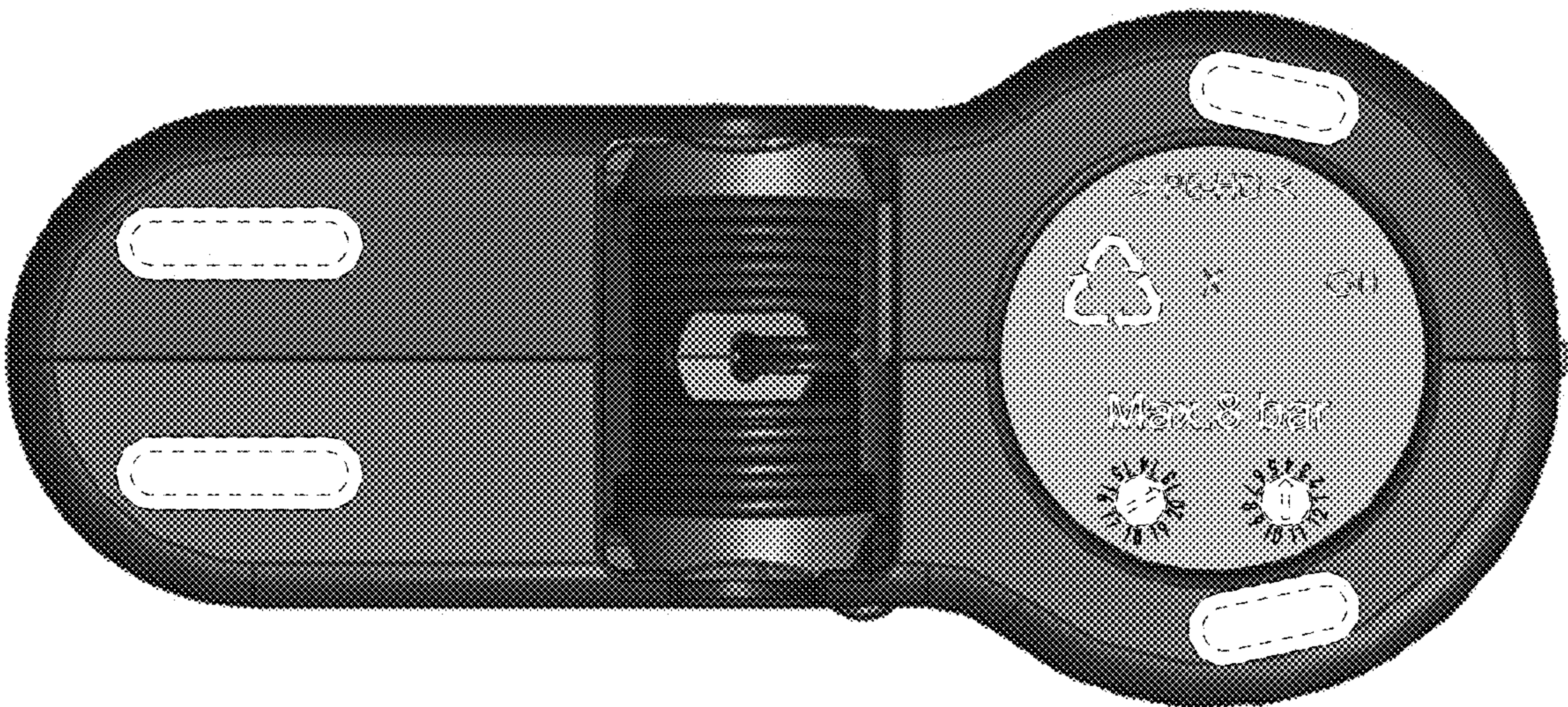


FIG. 12