



US00D886873S

(12) **United States Design Patent**
Büttner et al.

(10) **Patent No.:** **US D886,873 S**

(45) **Date of Patent:** **** Jun. 9, 2020**

- (54) **COMPRESSOR WITH INTEGRATED ELECTROMOTOR**
- (71) Applicant: **SIEMENS AKTIENGESELLSCHAFT, München (DE)**
- (72) Inventors: **Klaus Büttner, Hollstadt (DE); Klaus Kirchner, Ostheim (DE); Matthias Warmuth, Windhausen (DE)**
- (73) Assignee: **SIEMENS AKTIENGESELLSCHAFT, München (DE)**

D666,221 S *	8/2012	Chen	D15/9
D666,222 S *	8/2012	Chen	D15/9
D666,223 S *	8/2012	Chen	D15/9
D668,677 S *	10/2012	Chen	D15/9
D668,678 S *	10/2012	Chen	D15/9
D668,679 S *	10/2012	Chen	D15/9
D668,680 S *	10/2012	Chen	D15/9
D668,681 S *	10/2012	Chen	D15/9
D668,682 S *	10/2012	Chen	D15/9
D671,561 S *	11/2012	Nam	D15/9
D673,180 S *	12/2012	Nam	D15/9
D673,584 S *	1/2013	Nam	D15/7
D678,340 S *	3/2013	Chu	D15/9
D691,638 S *	10/2013	Alexander	D15/7
D700,212 S *	2/2014	Alexander	D15/7
D701,538 S *	3/2014	Nam	D15/9
D704,231 S *	5/2014	Chen	D15/9
D710,395 S *	8/2014	Park	D15/9
D710,905 S *	8/2014	Park	D15/9

(**) Term: **15 Years**

(21) Appl. No.: **29/649,651**

(22) Filed: **May 31, 2018**

(30) **Foreign Application Priority Data**

Dec. 4, 2017 (EM) 004534824

(51) **LOC (12) Cl.** **15-02**

(52) **U.S. Cl.**
USPC **D15/9**

(58) **Field of Classification Search**
USPC D15/7-9; D23/231, 232, 225
CPC F01D 5/14; F01D 5/12; F01D 5/04; F02B
33/40; F04D 29/42; F02M 37/04; F02M
37/14
See application file for complete search history.

(56) **References Cited**

U.S. PATENT DOCUMENTS

D538,826 S *	3/2007	Kienzle	D15/9
D634,664 S *	3/2011	DaRif	D15/7
D656,161 S *	3/2012	Nam	D15/9
D666,220 S *	8/2012	Chen	D15/9

(Continued)

Primary Examiner — Mitchell I. Siegel

(74) *Attorney, Agent, or Firm* — Henry M. Feiereisen LLC

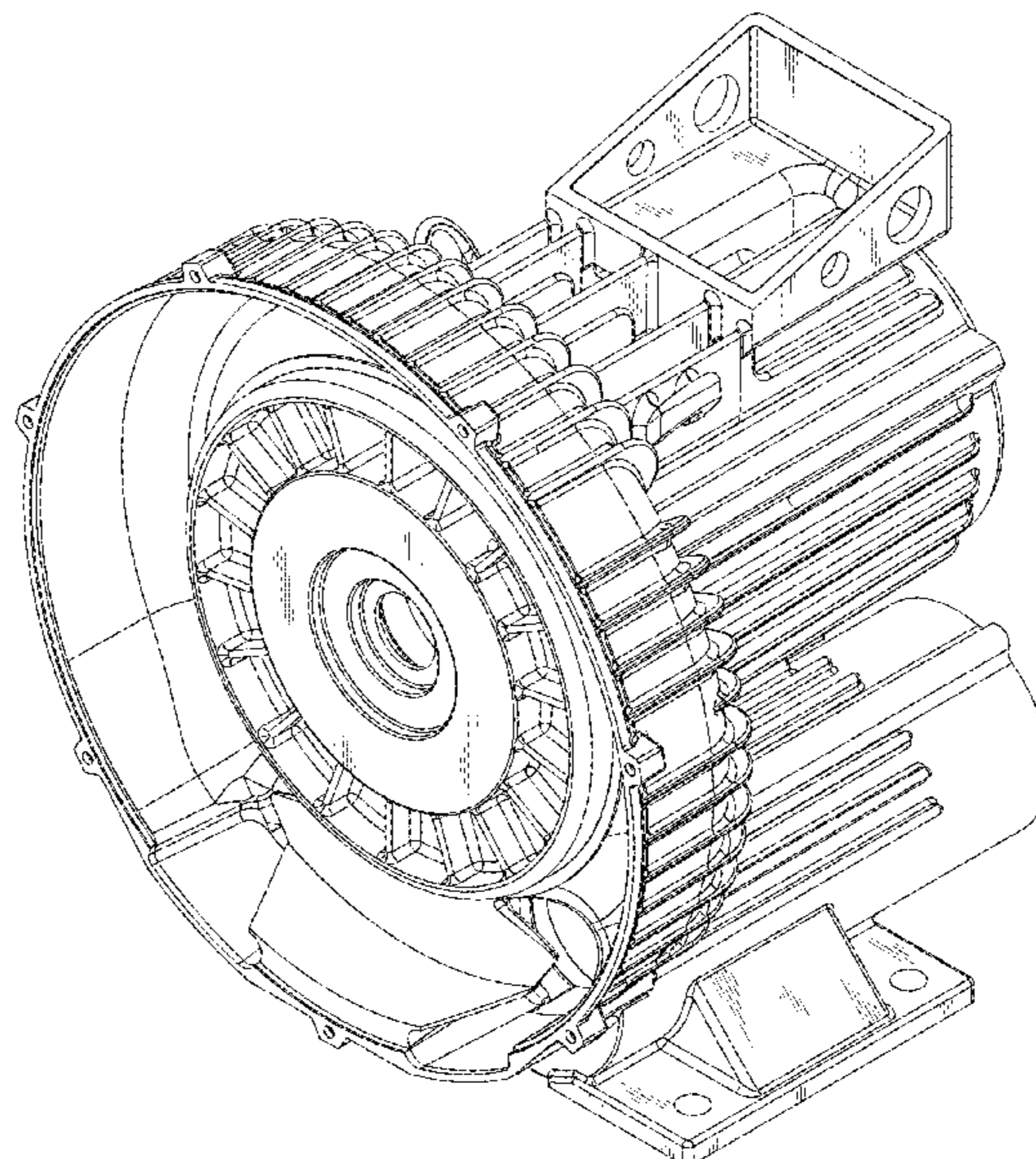
(57) **CLAIM**

The ornamental design for a compressor with integrated electromotor, as shown and described.

DESCRIPTION

FIG. 1 is a front view of a first embodiment of a compressor with integrated electromotor, showing our new design; FIG. 2 is a rear view thereof; FIG. 3 is a top view thereof; FIG. 4 is a bottom view thereof; FIG. 5 is a right side view thereof; FIG. 6 is a left side view thereof; and, FIG. 7 is a front, top and right side perspective view thereof. The broken lines shown are included for the purpose of illustrating unclaimed subject matter and forms no part of the claimed design.

1 Claim, 7 Drawing Sheets



(56)

References Cited

U.S. PATENT DOCUMENTS

D710,906 S *	8/2014	Park	D15/9
D710,907 S *	8/2014	Lim	D15/9
D710,908 S *	8/2014	Son	D15/9
D710,909 S *	8/2014	Kim	D15/9
D714,829 S *	10/2014	Chu	D15/9
D714,832 S *	10/2014	Chen	D15/9
D714,834 S *	10/2014	Chen	D15/9
D715,326 S *	10/2014	Lim	D15/9
D715,327 S *	10/2014	Lim	D15/9
D715,328 S *	10/2014	Kim	D15/9
D723,067 S *	2/2015	Lim	D15/9
D731,558 S *	6/2015	Chen	D15/9
D732,085 S *	6/2015	Park	D15/9
D735,244 S *	7/2015	Jeong	D15/9
D763,323 S *	8/2016	Mikulic	D15/9
D819,702 S *	6/2018	Chu	D15/9
D835,158 S *	12/2018	Shin	D15/9
D838,294 S *	1/2019	Nguyen	D15/7
D842,341 S *	3/2019	Shin	D15/9

* cited by examiner

FIG. 1

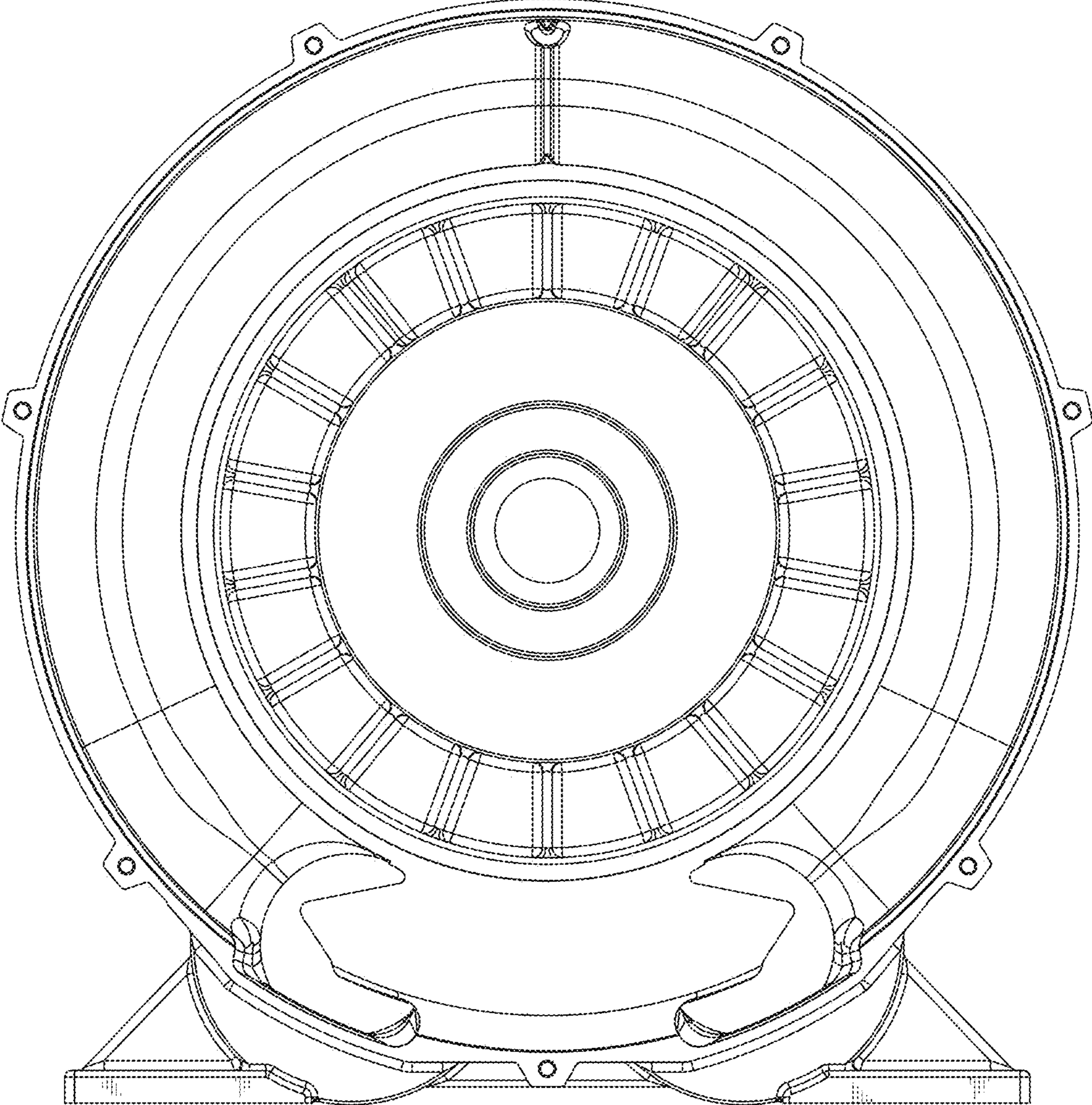


FIG. 2

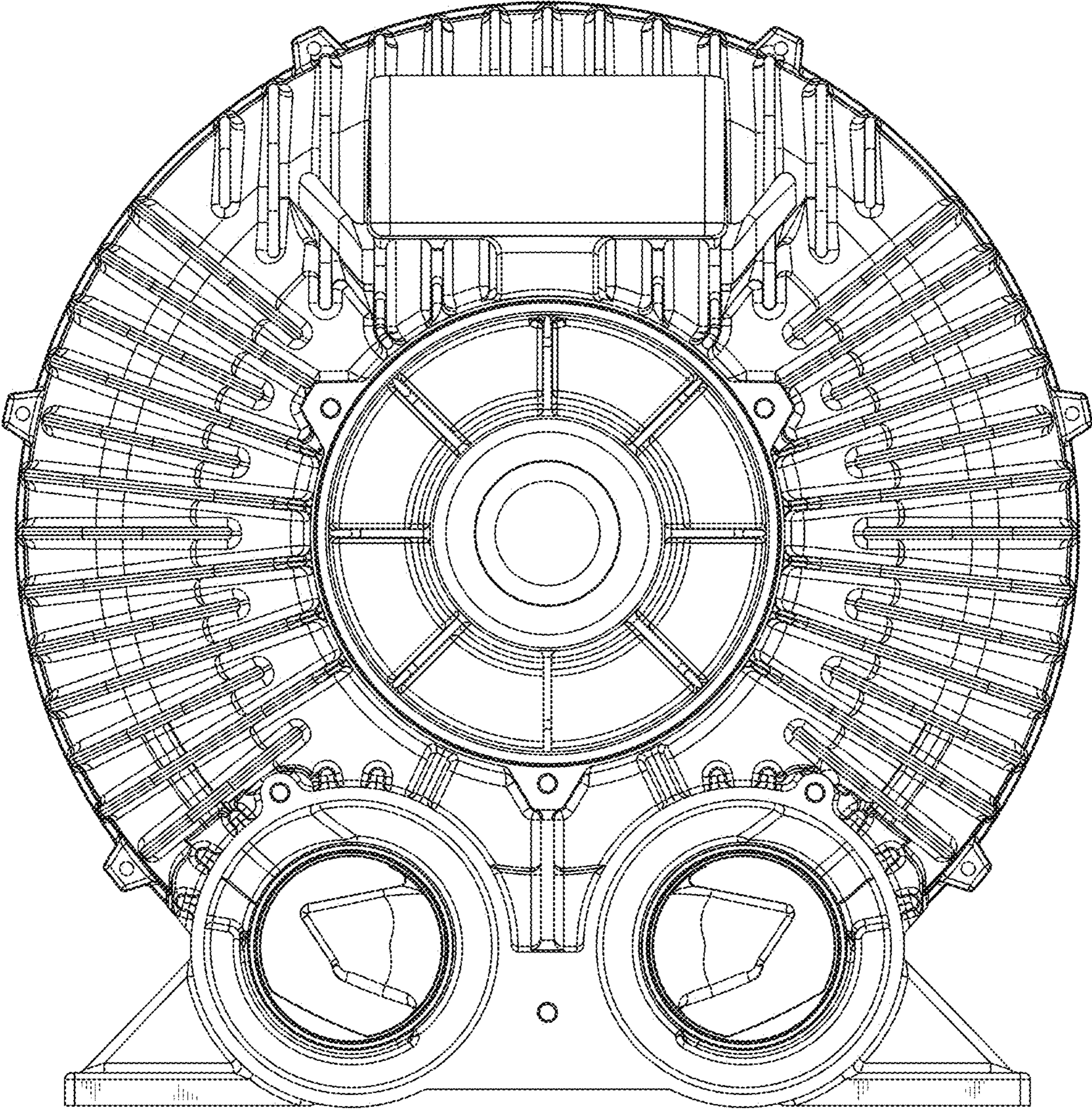


FIG. 3

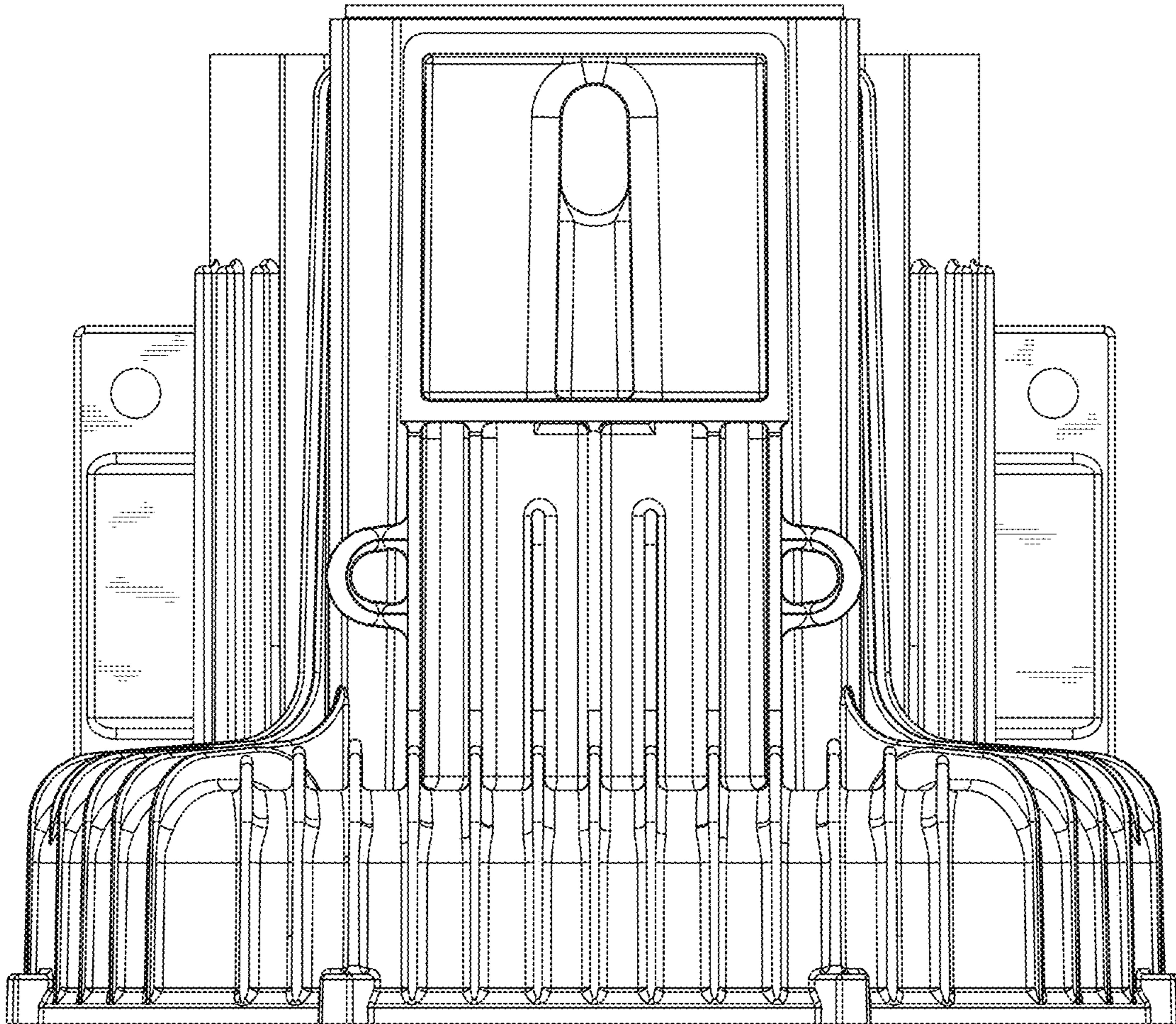


FIG. 4

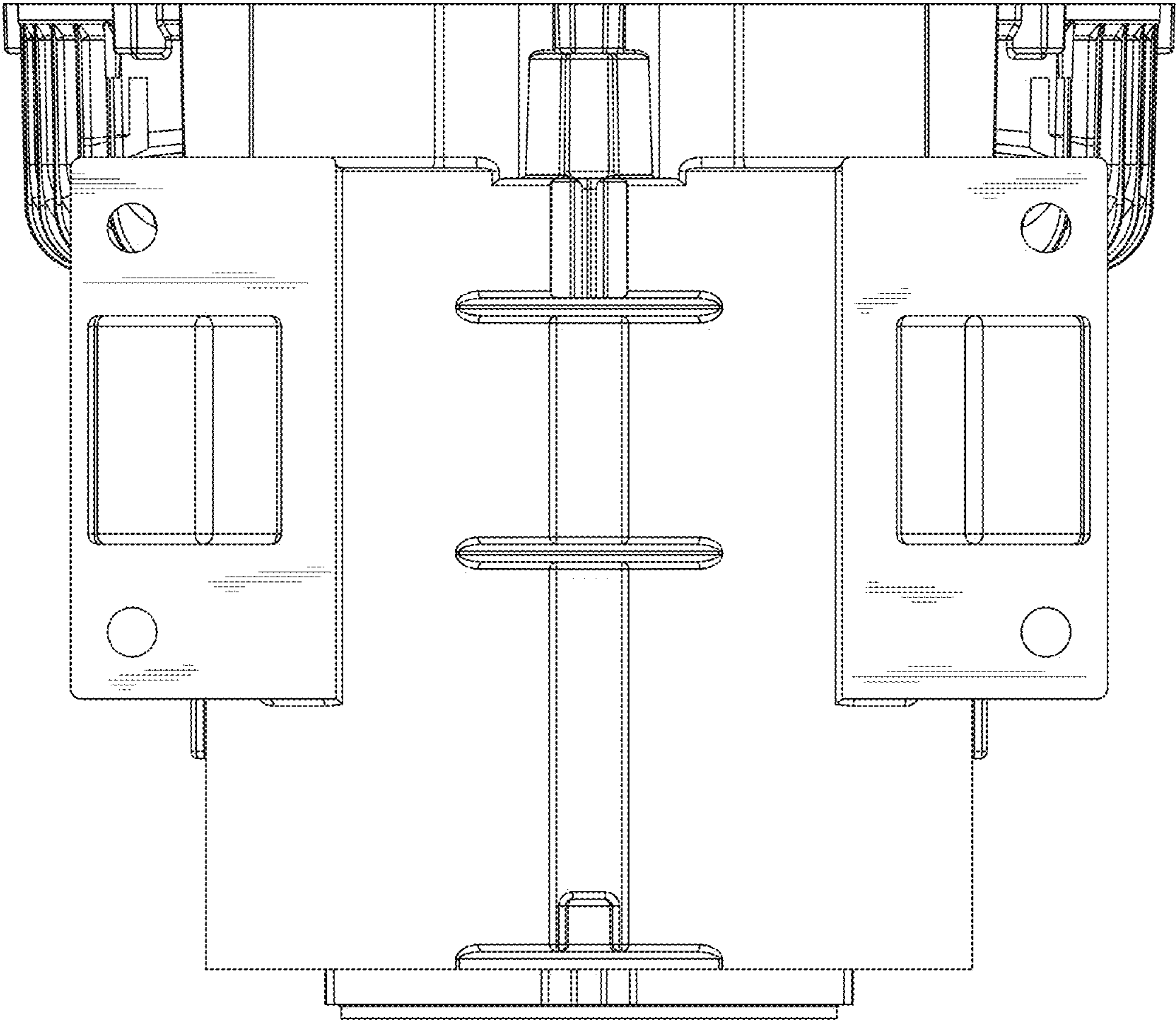


FIG. 5

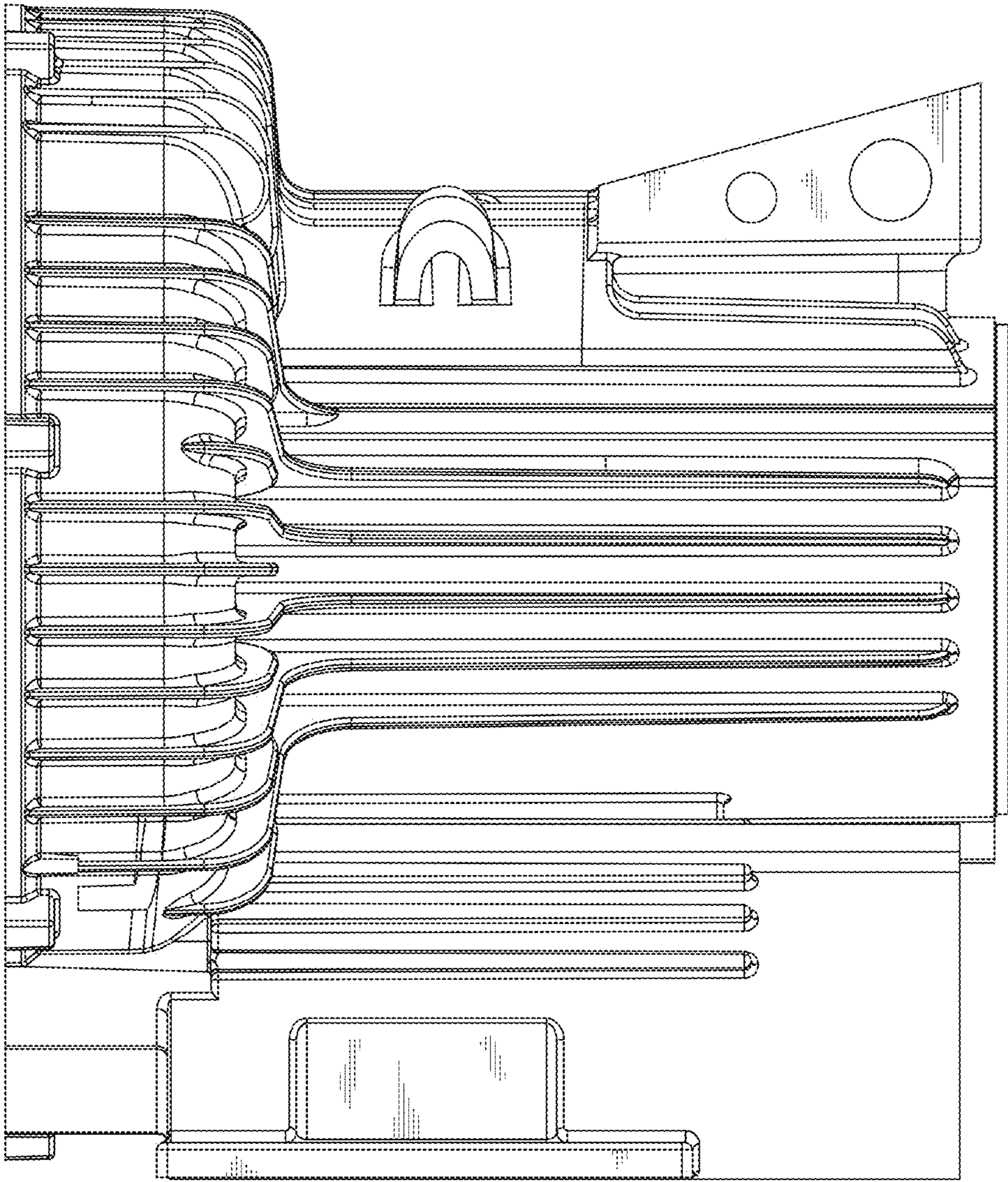


FIG. 6

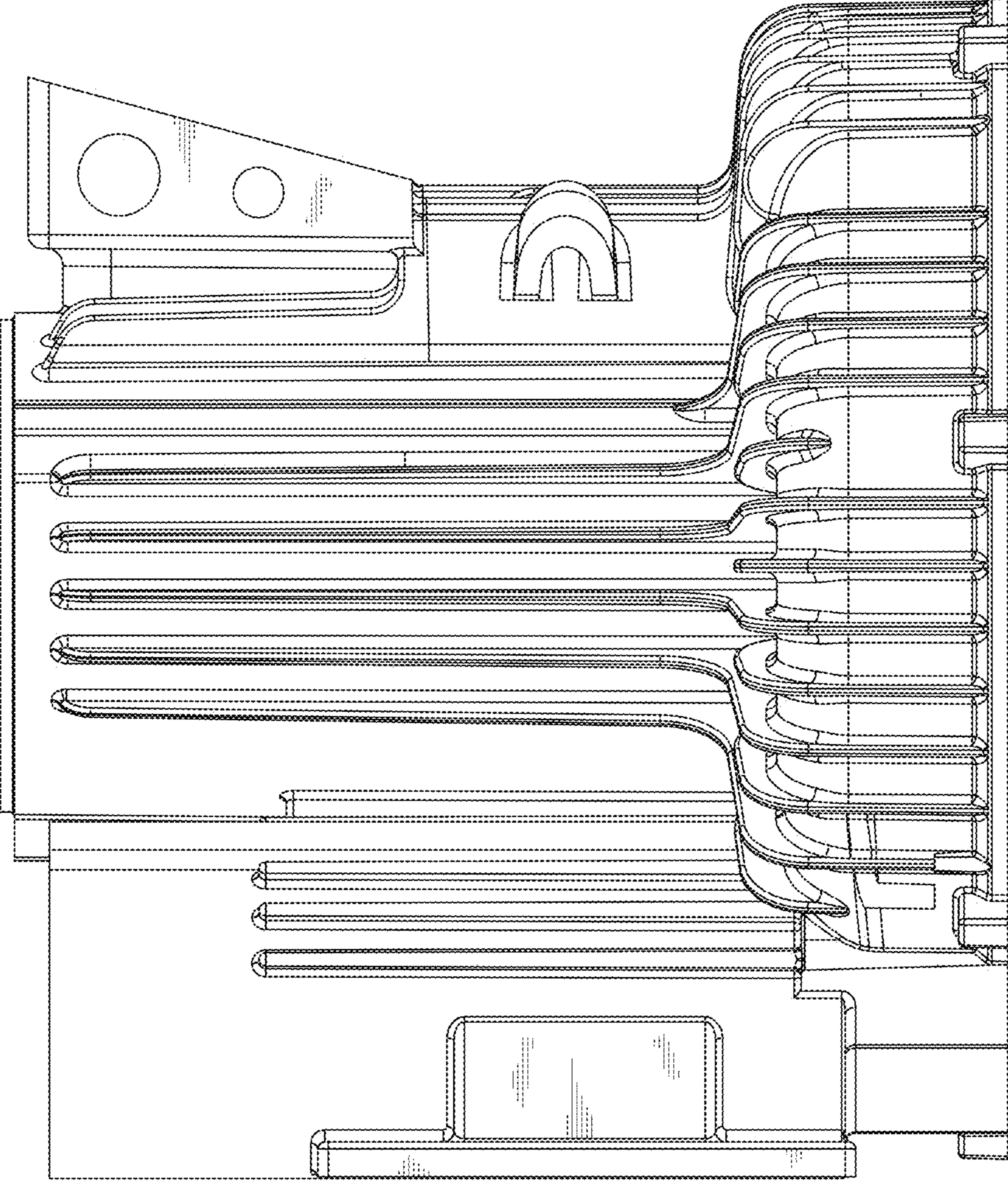


FIG. 7

