



US00D886872S

(12) **United States Design Patent** (10) **Patent No.:** **US D886,872 S**
Myers (45) **Date of Patent:** **** Jun. 9, 2020**

(54) **PUSHROD TOP PLATE** 8,616,039 B2 * 12/2013 Maloney F16B 19/06
470/27
(71) Applicant: **Douglas D. Myers**, Jacksonville, FL D732,946 S * 6/2015 Smith D8/400
(US) 9,121,400 B1 9/2015 Myers
D756,747 S * 5/2016 Wu D8/352
(72) Inventor: **Douglas D. Myers**, Jacksonville, FL D768,468 S * 10/2016 Maloney D8/382
(US) 9,625,087 B2 * 4/2017 Sarnowski B63B 17/00
9,903,426 B1 * 2/2018 Darner B60T 17/088
D837,041 S * 1/2019 Barnes D8/382
(**) Term: **15 Years** 10,428,847 B2 * 10/2019 Maloney F16B 19/10
2012/0107150 A1 * 5/2012 Pawlak F04B 17/02
417/334

(21) Appl. No.: **29/727,599**

(Continued)

(22) Filed: **Mar. 12, 2020**

FOREIGN PATENT DOCUMENTS

(51) **LOC (12) Cl.** **15-02**

WO 2014-E50133 * 3/2014

(52) **U.S. Cl.**

Primary Examiner — T Chase Nelson

USPC **D15/7**

Assistant Examiner — Ania Aman

(58) **Field of Classification Search**

(74) *Attorney, Agent, or Firm* — Mitchell Ghaneie

USPC D15/1-9.1, 28; D8/349, 350, 352, 353,
D8/354, 356, 363, 499, 396; D6/550,
D6/580; D12/159, 160, 161, 223;
D14/433

(57) **CLAIM**

CPC F04B 43/025; F04B 43/00; F04B 43/021;
F04B 47/026; F04B 47/00; F04B 47/028;
F04B 47/145; F04B 43/02; F04B 43/026;
F04B 7/0073; F04B 43/1276; F04B
43/1284; F04B 49/22; F04B 17/06; F04B
53/22; F04B 53/1047

The ornamental design for a pushrod top plate, as shown and described.

See application file for complete search history.

DESCRIPTION

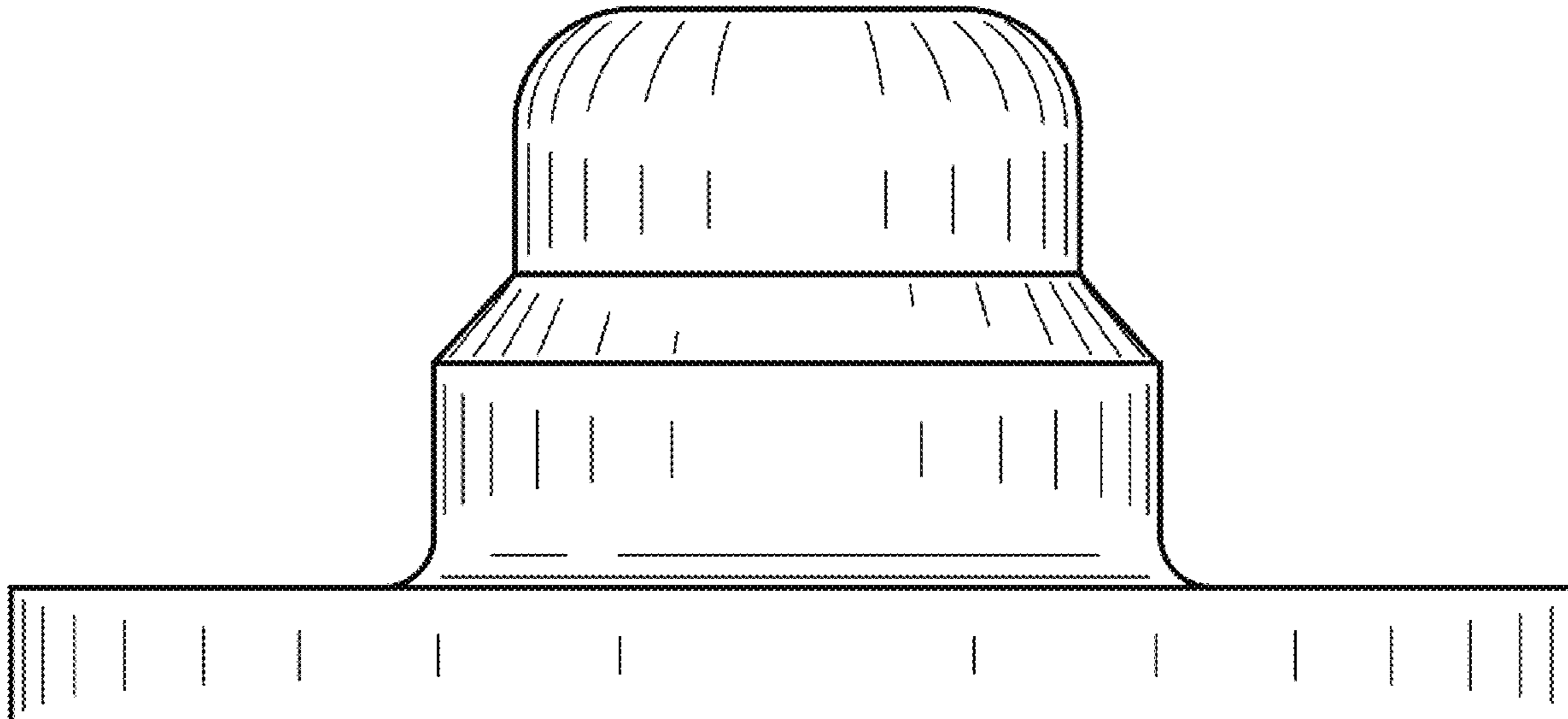
(56) **References Cited**

U.S. PATENT DOCUMENTS

3,947,156 A 3/1976 Becker
4,936,758 A 6/1990 Coble
D391,579 S 3/1998 Myers
D462,256 S * 9/2002 Jaynes D12/160
D518,670 S * 4/2006 Cheng D6/550
D594,735 S * 6/2009 Hofer D8/349
D623,045 S * 9/2010 Moncade D8/354
D625,170 S * 10/2010 McGrath D8/355
8,297,899 B2 * 10/2012 Maloney F16B 19/06
411/339

FIG. 1 is a front elevational view of a pushrod top plate showing my new design;
FIG. 2 is a rear elevational view thereof;
FIG. 3 is a right side elevational view thereof;
FIG. 4 is a left side elevational view thereof;
FIG. 5 is a top elevational view thereof;
FIG. 6 is a bottom elevational view thereof;
FIG. 7 is a top isometric elevational view thereof;
FIG. 8 is a bottom isometric elevational view thereof;
FIG. 9 is a cross-sectional view taken along and in the direction of line 9-9 in FIG. 5 thereof; and,
FIG. 10 is a top isometric view of the device.
The broken lines depict portions of the environment that form no part of the claimed design.

1 Claim, 6 Drawing Sheets



(56)

References Cited

U.S. PATENT DOCUMENTS

2016/0251899 A1* 9/2016 Watson E21B 10/325
175/161
2020/0018127 A1* 1/2020 Cortes E21B 17/1071

* cited by examiner

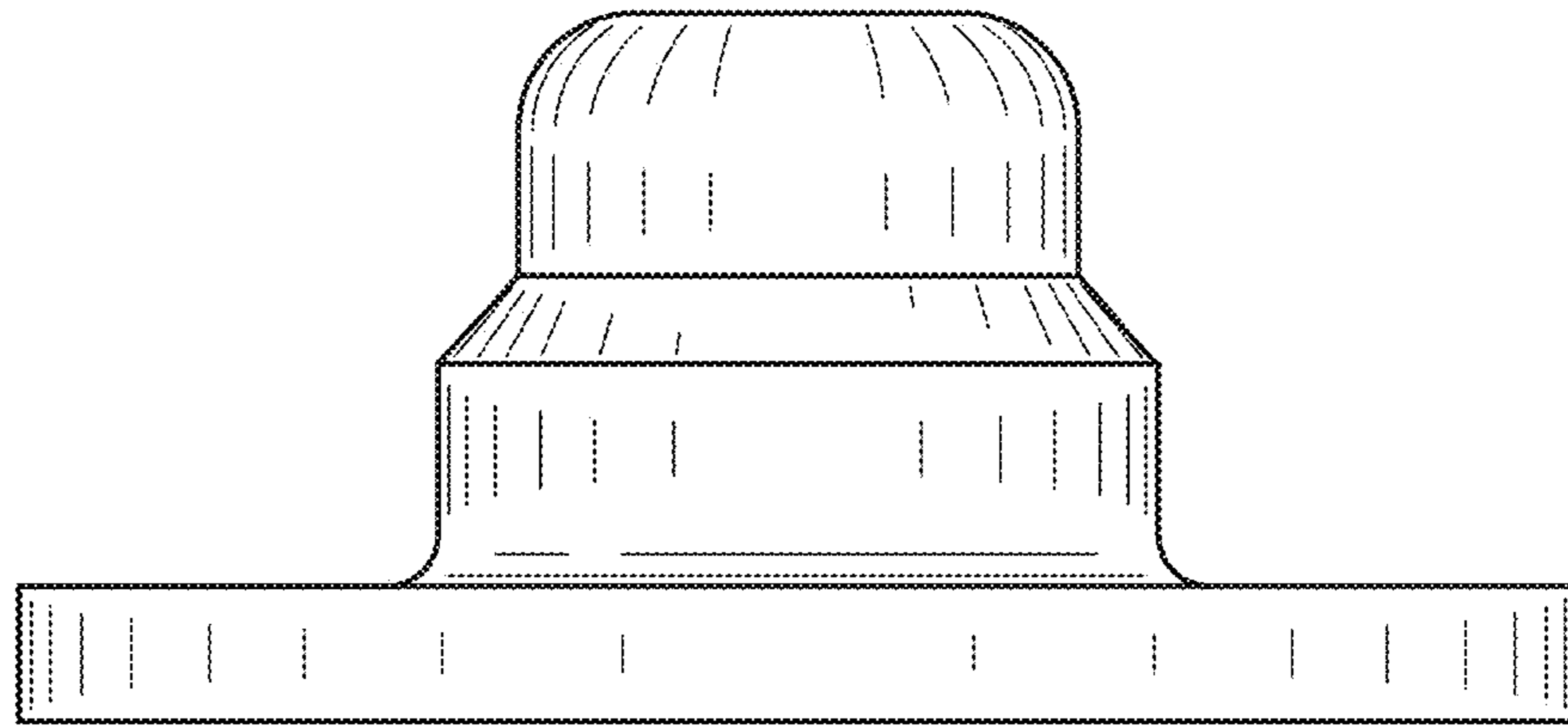


FIG. 1

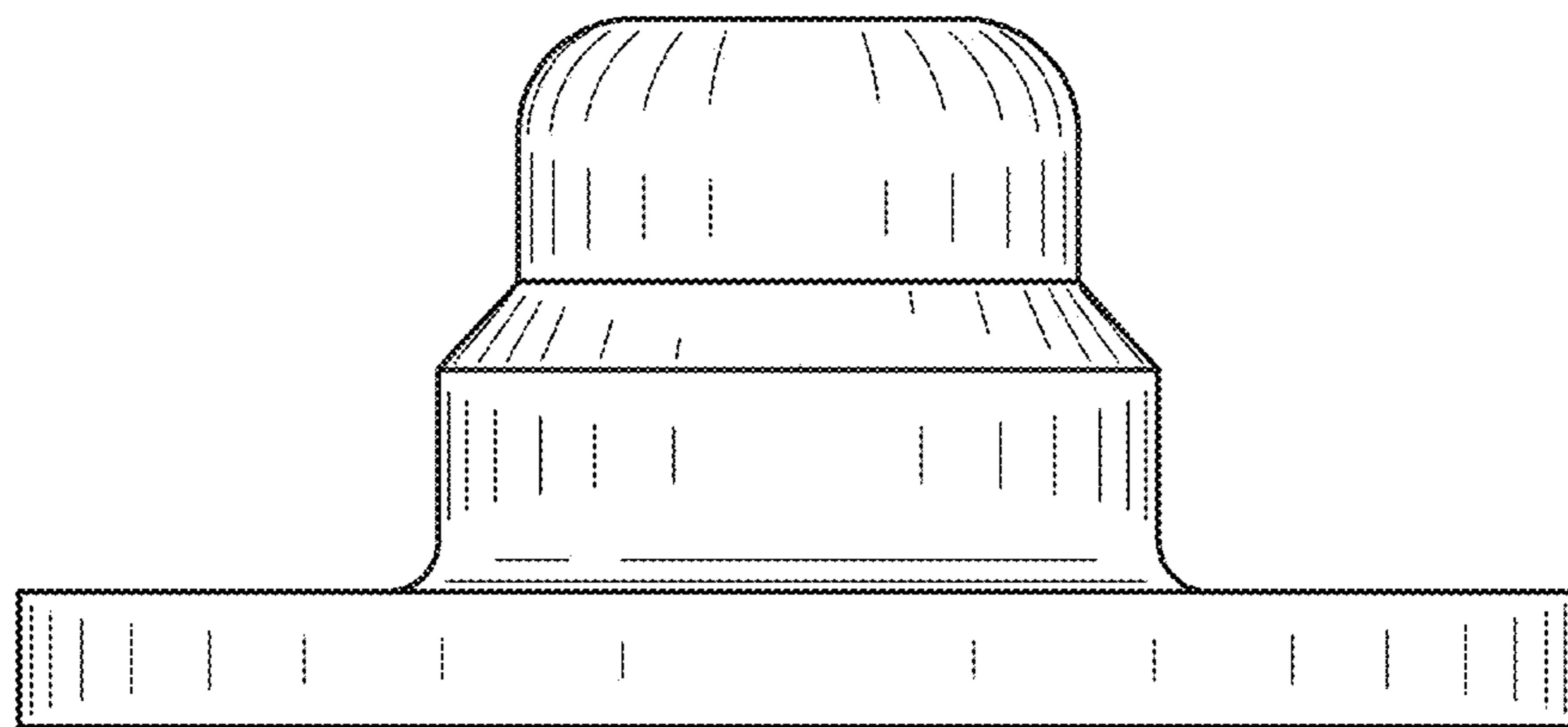


FIG. 2

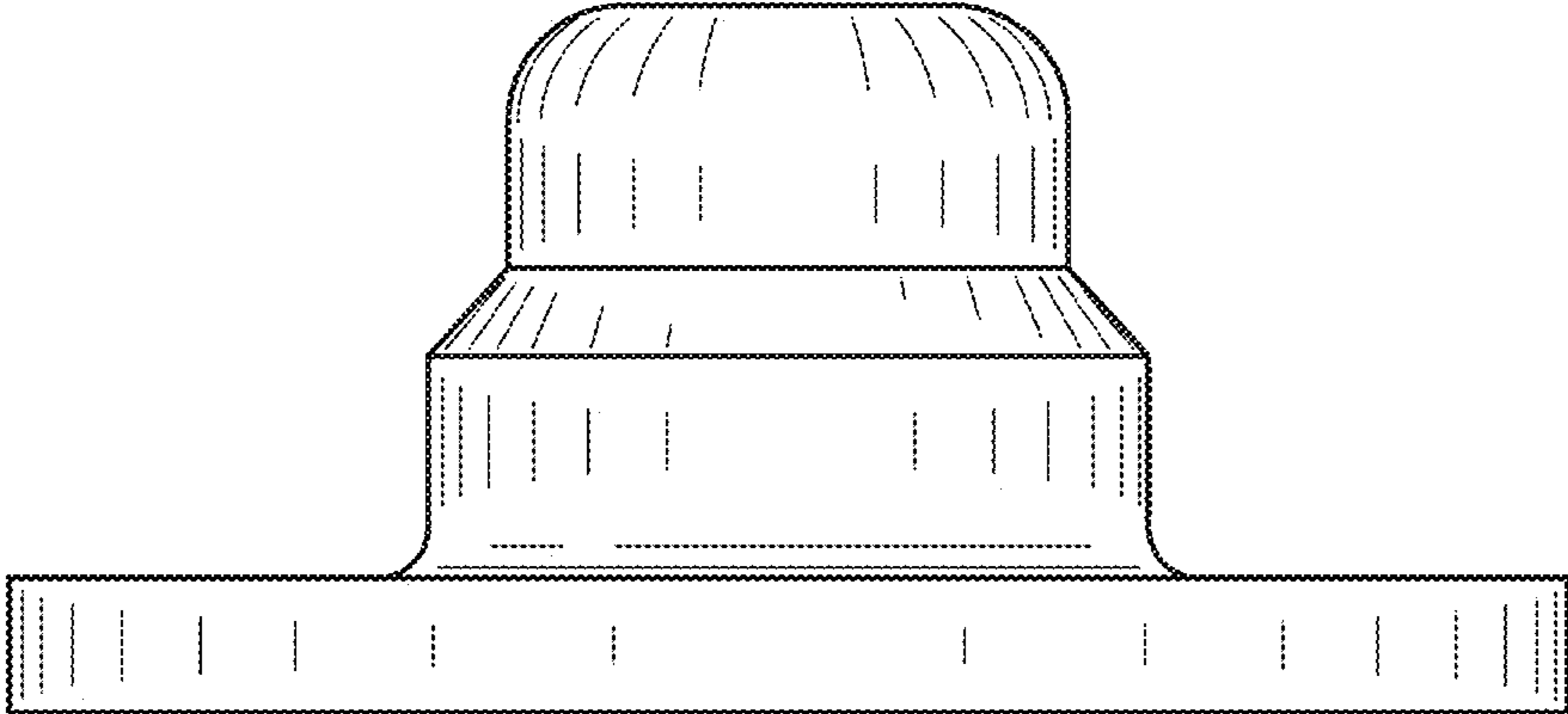


FIG. 3

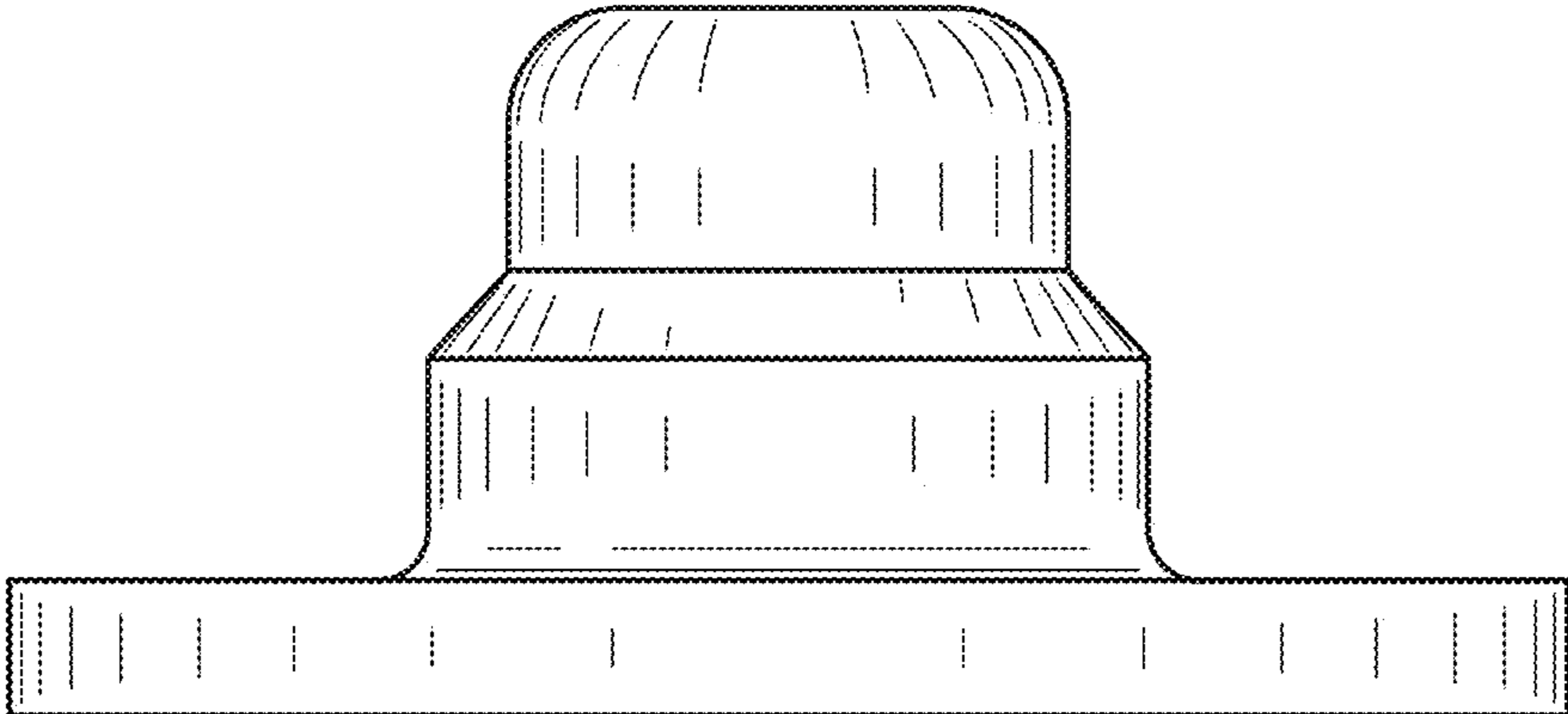


FIG. 4

FIG. 5

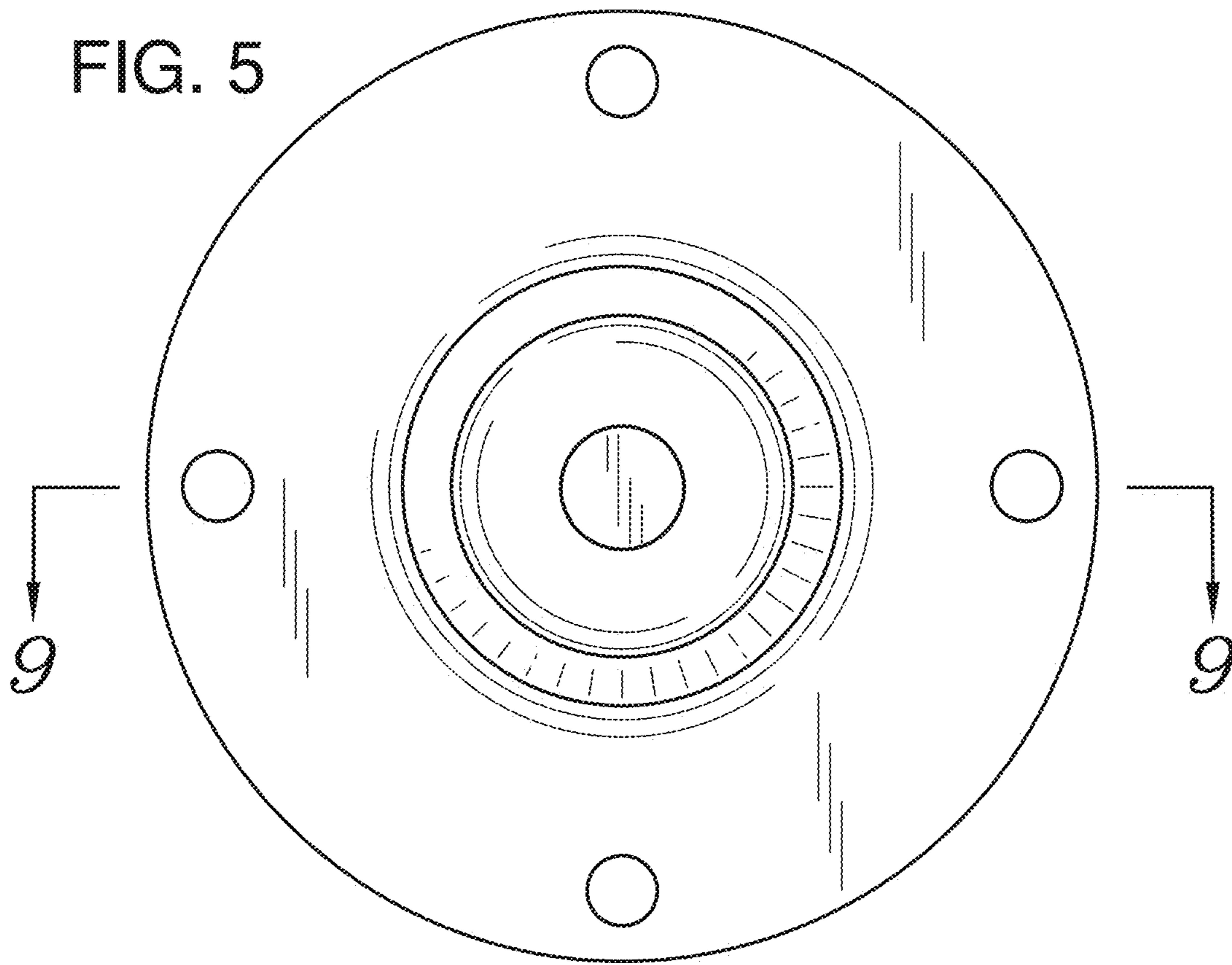


FIG. 6

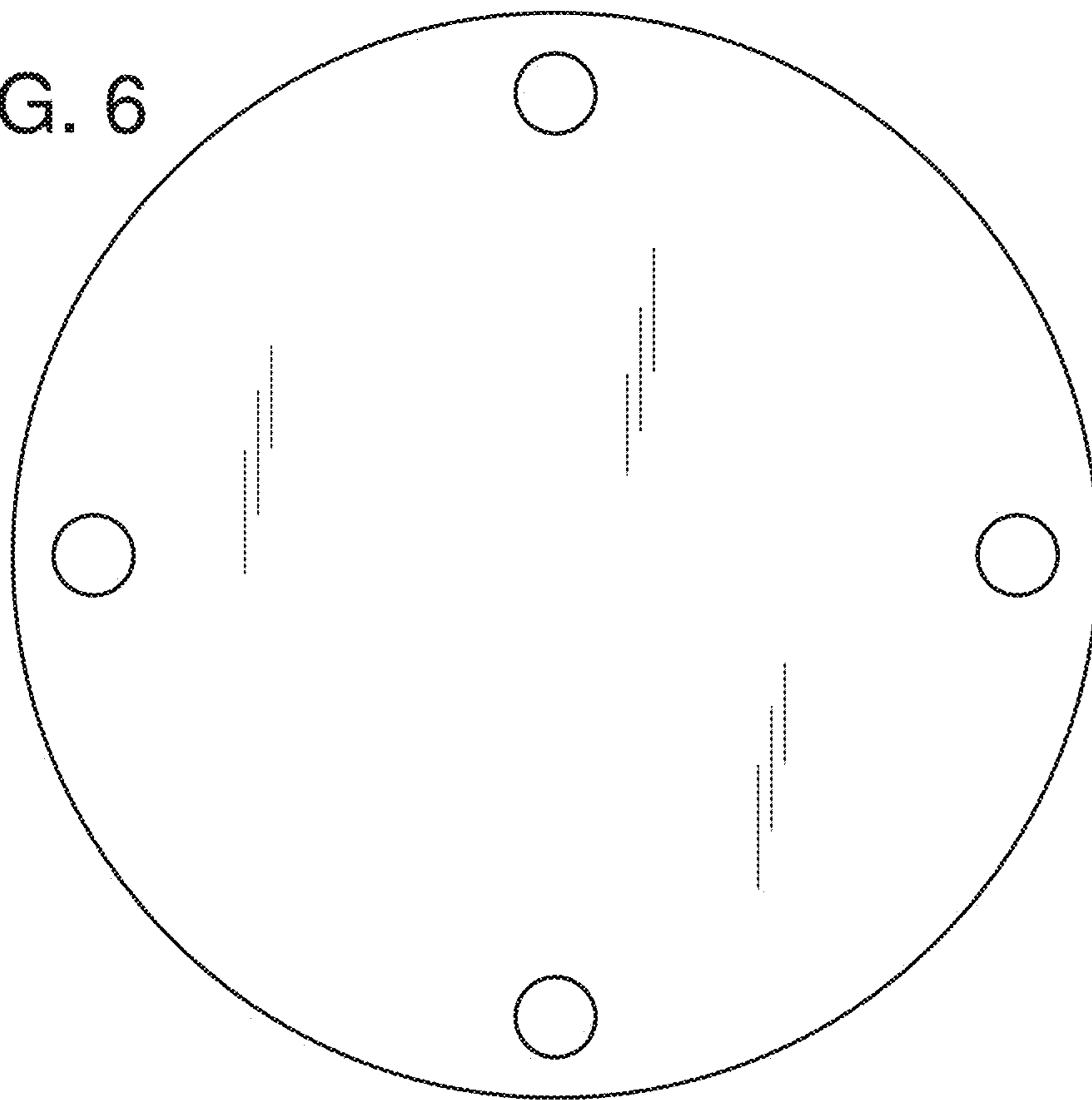


FIG. 7

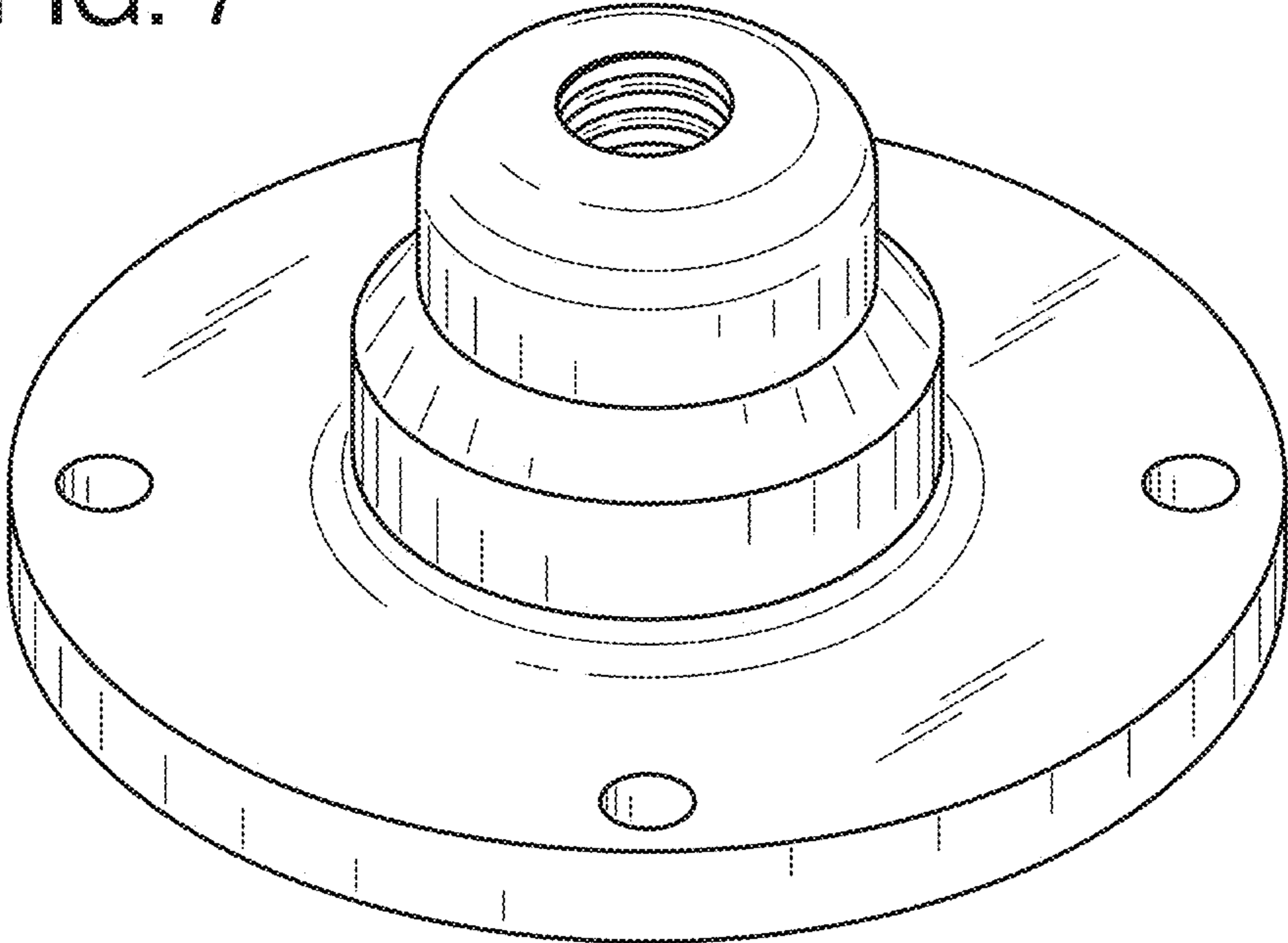


FIG. 8

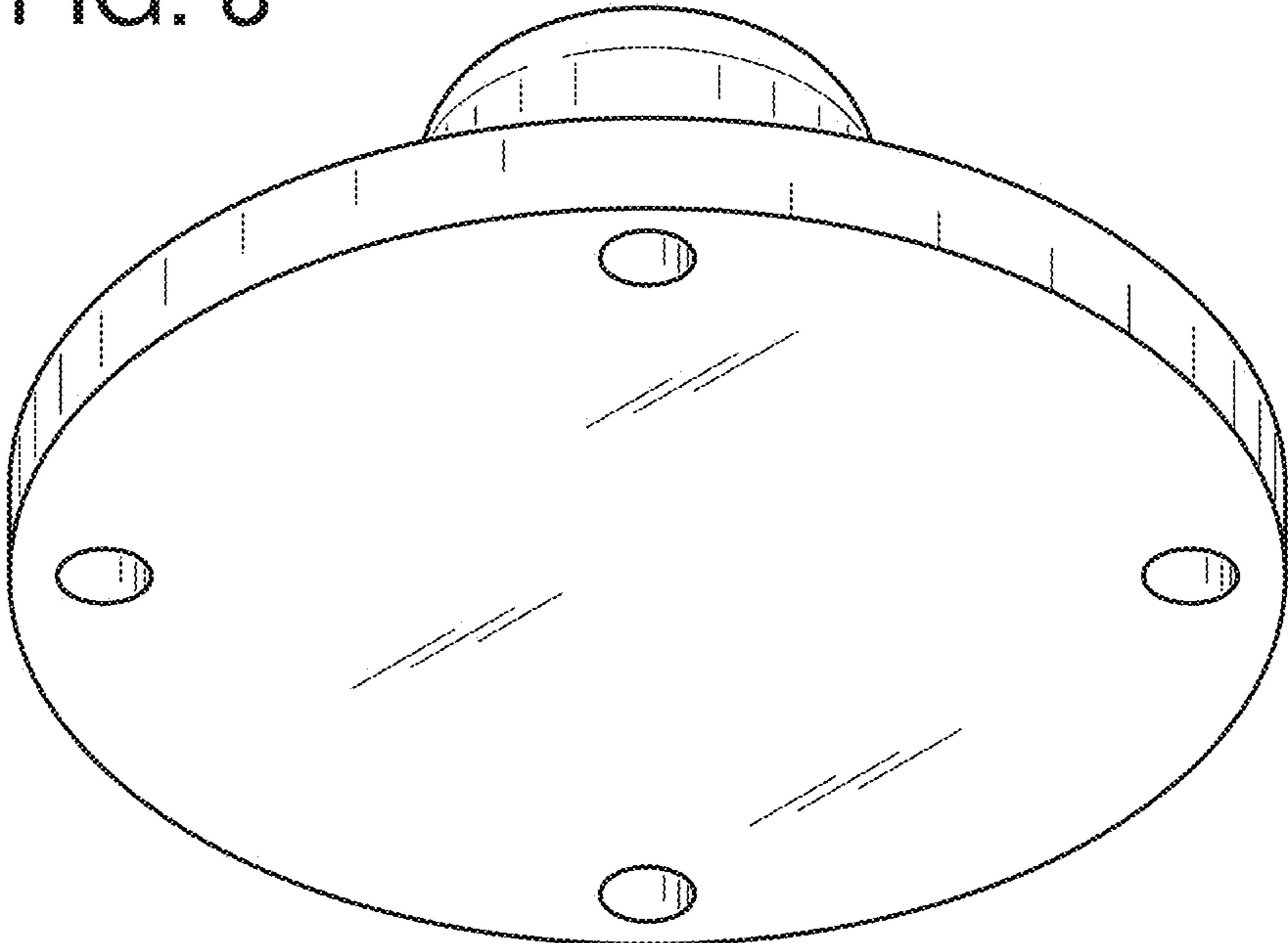


FIG. 9

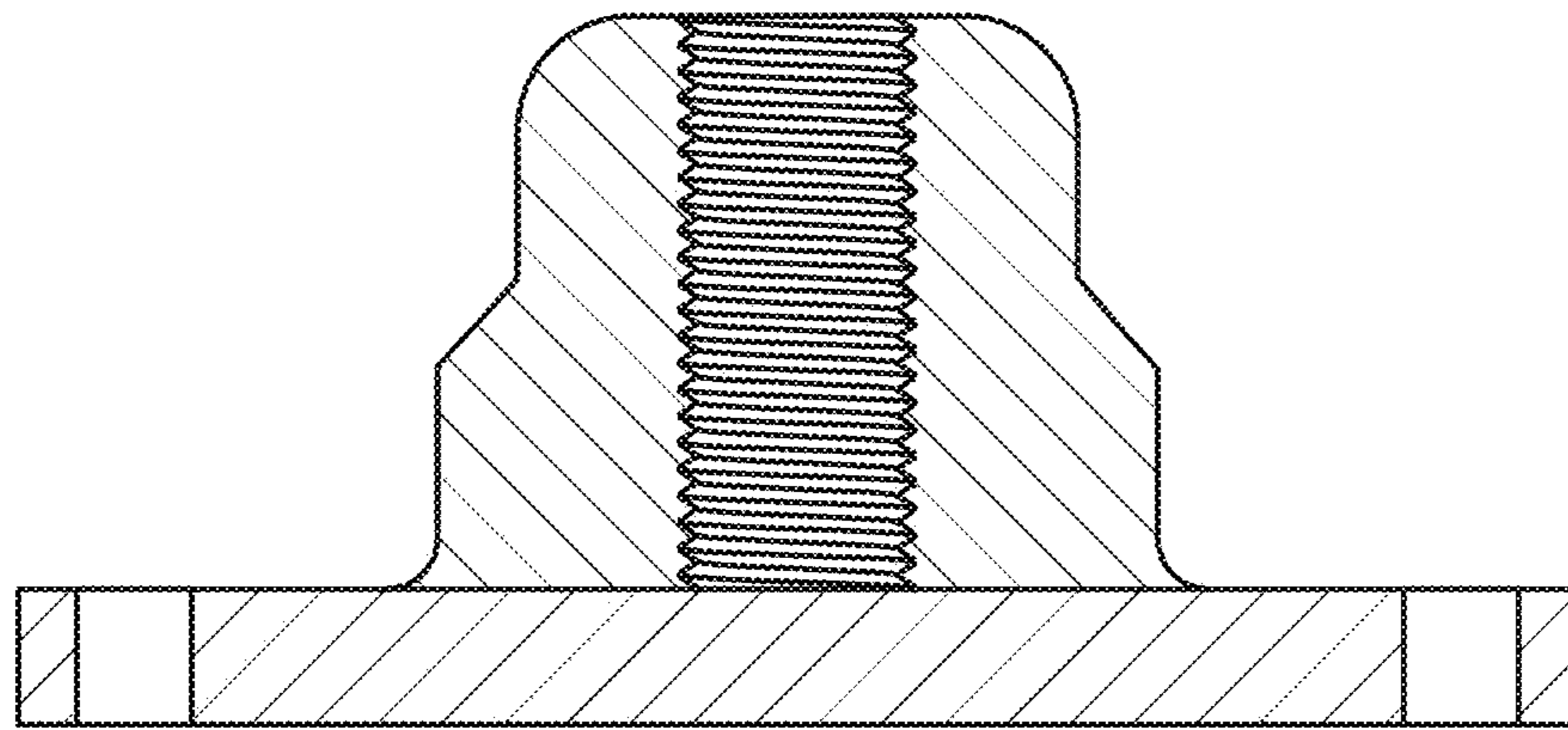


FIG. 10

