



US00D886871S

(12) **United States Design Patent** (10) **Patent No.:** **US D886,871 S**  
**Wang** (45) **Date of Patent:** **\*\* Jun. 9, 2020**

(54) **ANTI-SLAM PEDESTAL SUMP PUMP**  
 (71) Applicant: **GP Enterprises Co., Ltd**, Suzhou, Jiangsu (CN)  
 (72) Inventor: **Xian Wang**, Jiangsu (CN)  
 (73) Assignee: **GP Enterprises Co., Ltd**, Suzhou (CN)  
 (\*\*) Term: **15 Years**  
 (21) Appl. No.: **29/674,484**

D351,602 S \* 10/1994 Rosebraugh ..... D15/7  
 D500,770 S \* 1/2005 Pohler ..... D15/7  
 D565,600 S \* 4/2008 Tazioli ..... D15/7  
 D689,907 S \* 9/2013 Rogers ..... D15/7  
 D693,371 S \* 11/2013 Orsini ..... D15/7  
 D700,213 S \* 2/2014 Taniguchi ..... D15/7  
 D700,214 S \* 2/2014 Taniguchi ..... D15/7  
 D700,624 S \* 3/2014 Taniguchi ..... D15/7  
 8,956,130 B2 \* 2/2015 Buzit ..... F04D 9/008  
 417/423.3  
 D740,329 S \* 10/2015 Gilbert ..... D15/7  
 D800,791 S \* 10/2017 Pin, III ..... D15/7  
 D817,361 S \* 5/2018 Weber ..... D15/7

\* cited by examiner

*Primary Examiner* — Mitchell I. Siegel

(22) Filed: **Dec. 21, 2018**  
 (51) **LOC (12) Cl.** ..... **15-02**  
 (52) **U.S. Cl.**  
 USPC ..... **D15/7**  
 (58) **Field of Classification Search**  
 USPC ..... D15/7-9; D23/231, 232, 225  
 CPC ..... F02M 37/04; F02M 37/14; F04B 53/92;  
 F04B 1/005; F04B 25/00; F04B 35/00;  
 F04B 37/00; F04B 39/00; F04B 27/00;  
 F04B 19/20; F04D 9/008; F04D  
 15/02-15/029; F04D 13/08-13/086  
 See application file for complete search history.

(57) **CLAIM**

The ornamental design for an anti-slam pedestal sump pump, as shown and described.

**DESCRIPTION**

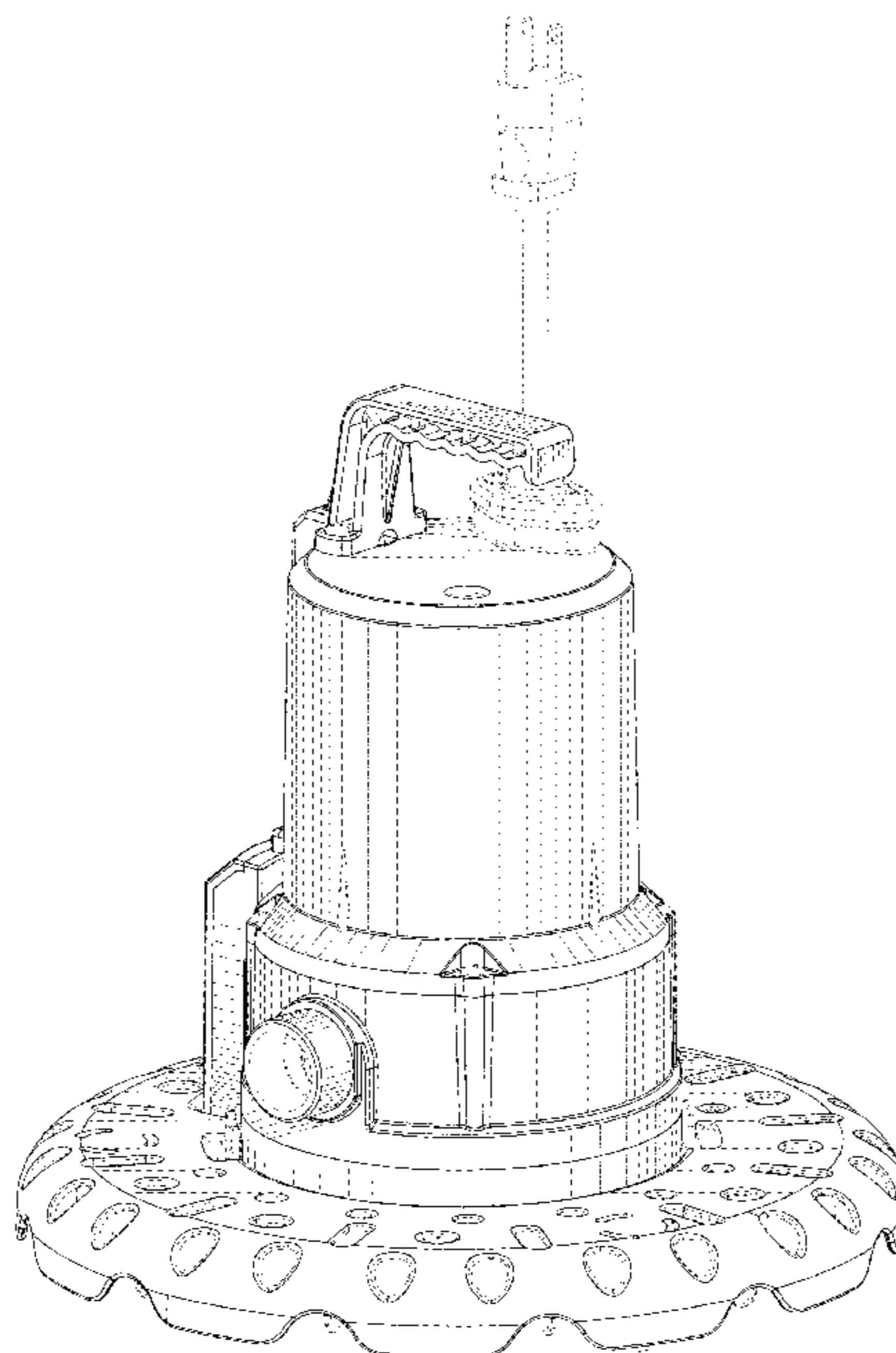
FIG. 1 is a top, front and right side perspective view of an anti-slam pedestal sump pump showing my new design; FIG. 2 is a front elevational view thereof; FIG. 3 is a rear elevational view thereof; FIG. 4 is a right side view thereof; FIG. 5 is a left side view thereof; FIG. 6 is a top plan view thereof; FIG. 7 is a bottom plan view thereof; FIG. 8 is a top and left side perspective view thereof; and, FIG. 9 is a bottom and left side perspective view thereof. The broken lines in the drawings illustrate portions of the anti-slam pedestal sump pump that form no part of the claimed design.

(56) **References Cited**

**U.S. PATENT DOCUMENTS**

1,883,266 A \* 10/1932 Yoder ..... F04D 15/0218  
 417/40  
 2,766,696 A \* 10/1956 Lung ..... F04D 15/0218  
 417/424.1  
 D227,168 S \* 6/1973 Chase ..... D15/7  
 D229,783 S \* 1/1974 Campbell et al. .... D15/7  
 D236,756 S \* 9/1975 Franzen ..... D15/7  
 D237,011 S \* 9/1975 Stroberg ..... D15/7  
 4,218,195 A \* 8/1980 Shure ..... F04D 13/086  
 417/411  
 D258,210 S \* 2/1981 Shure ..... D15/7

**1 Claim, 9 Drawing Sheets**



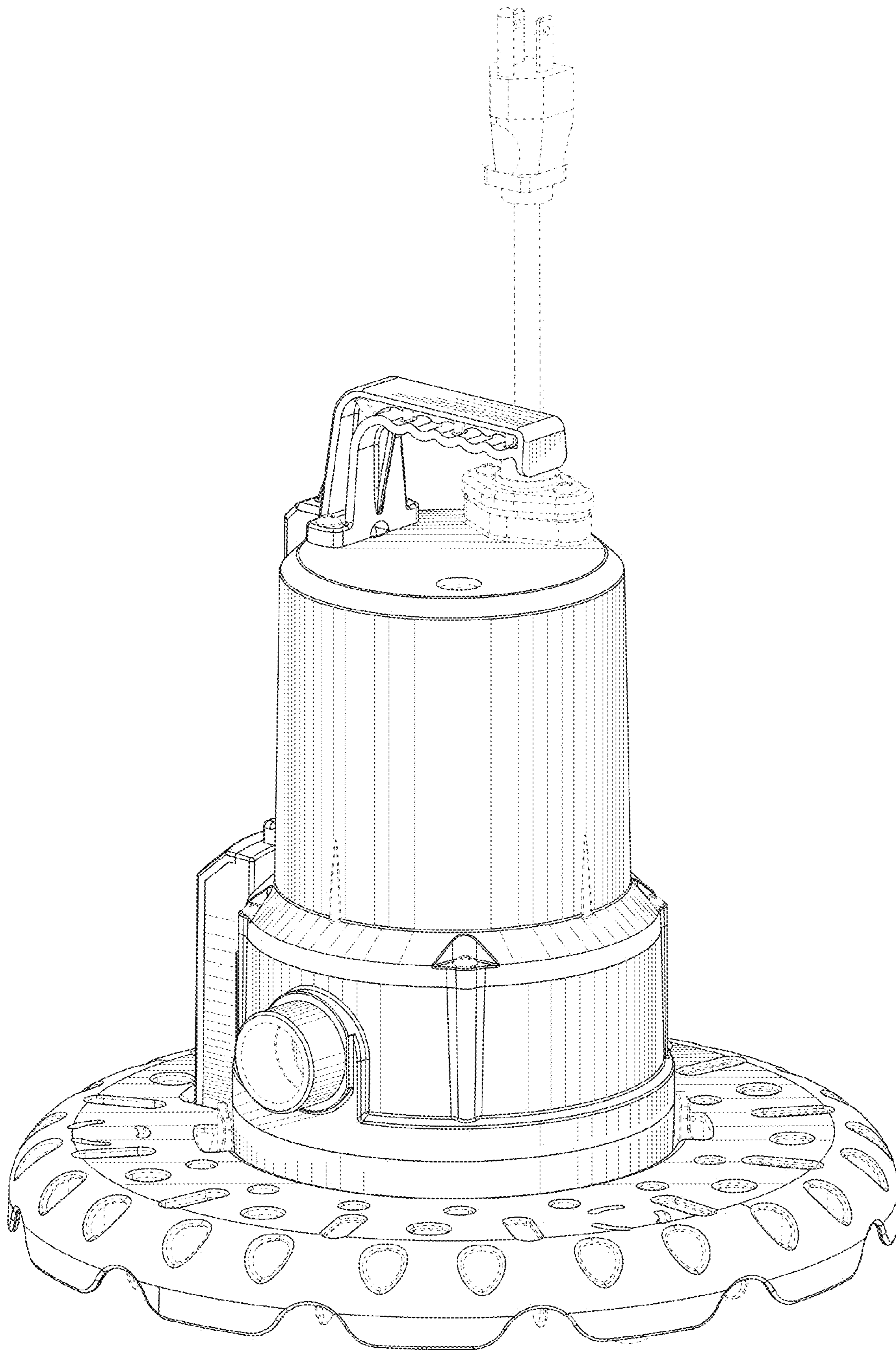


Fig. 1

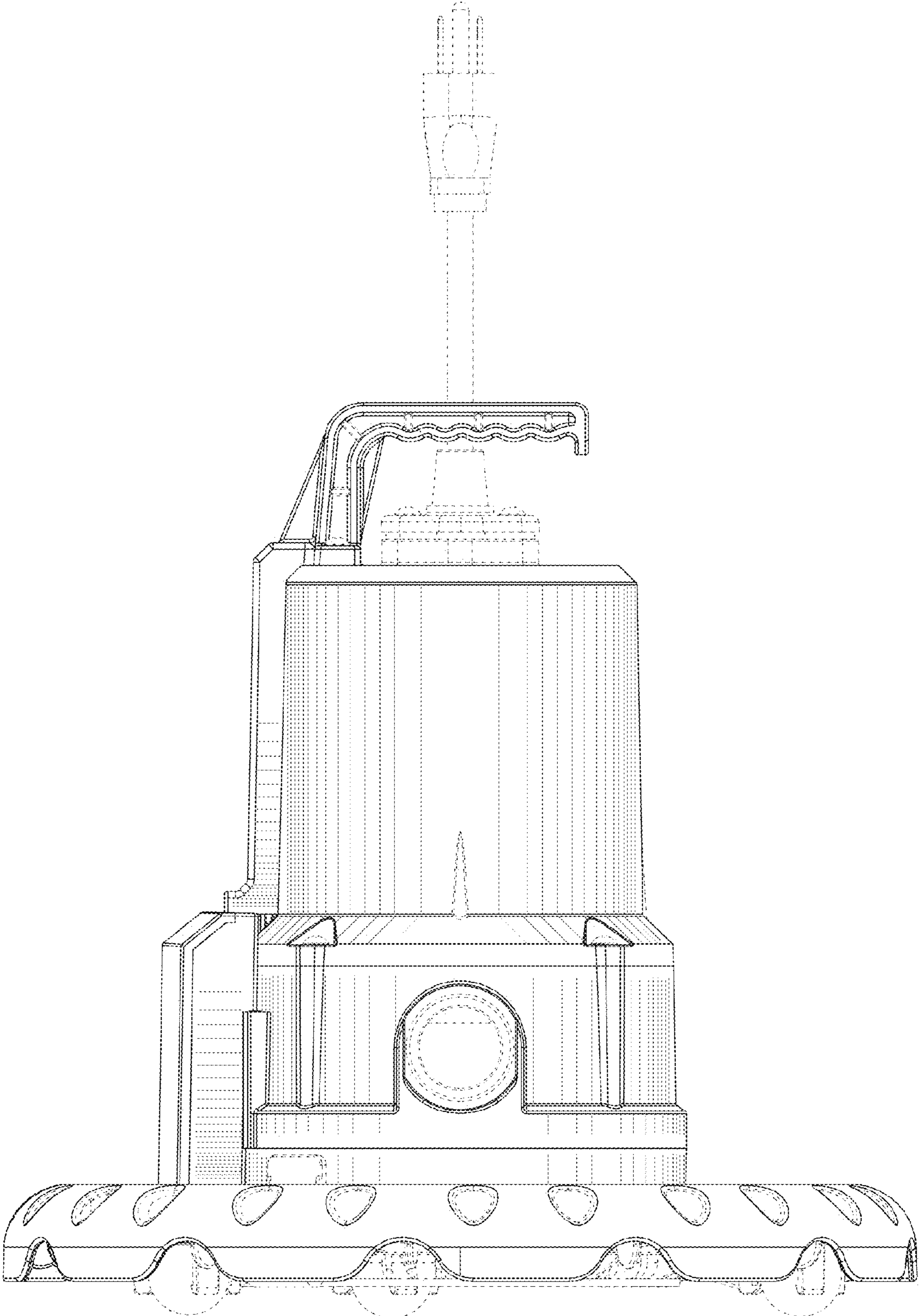


Fig. 2

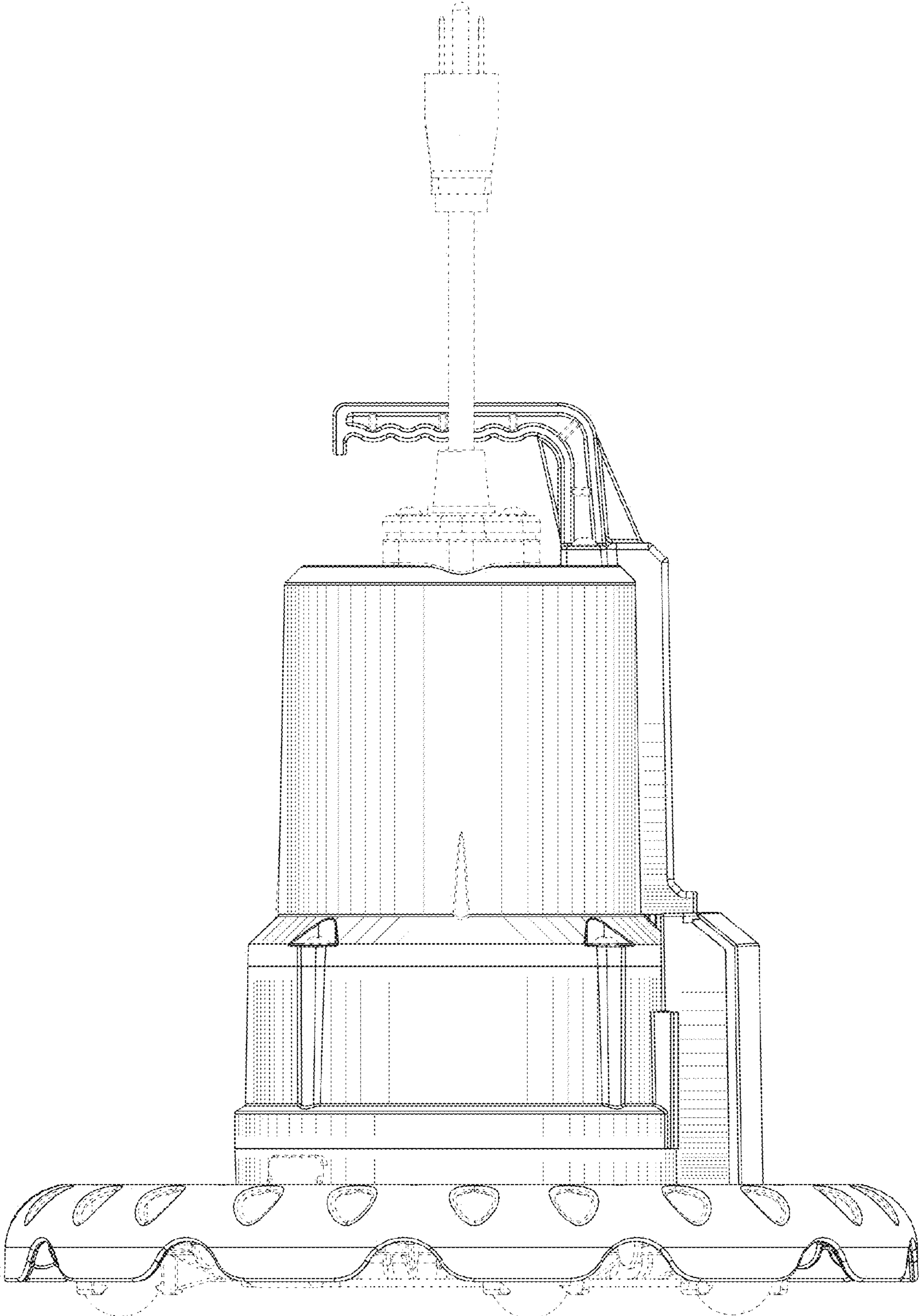


Fig. 3

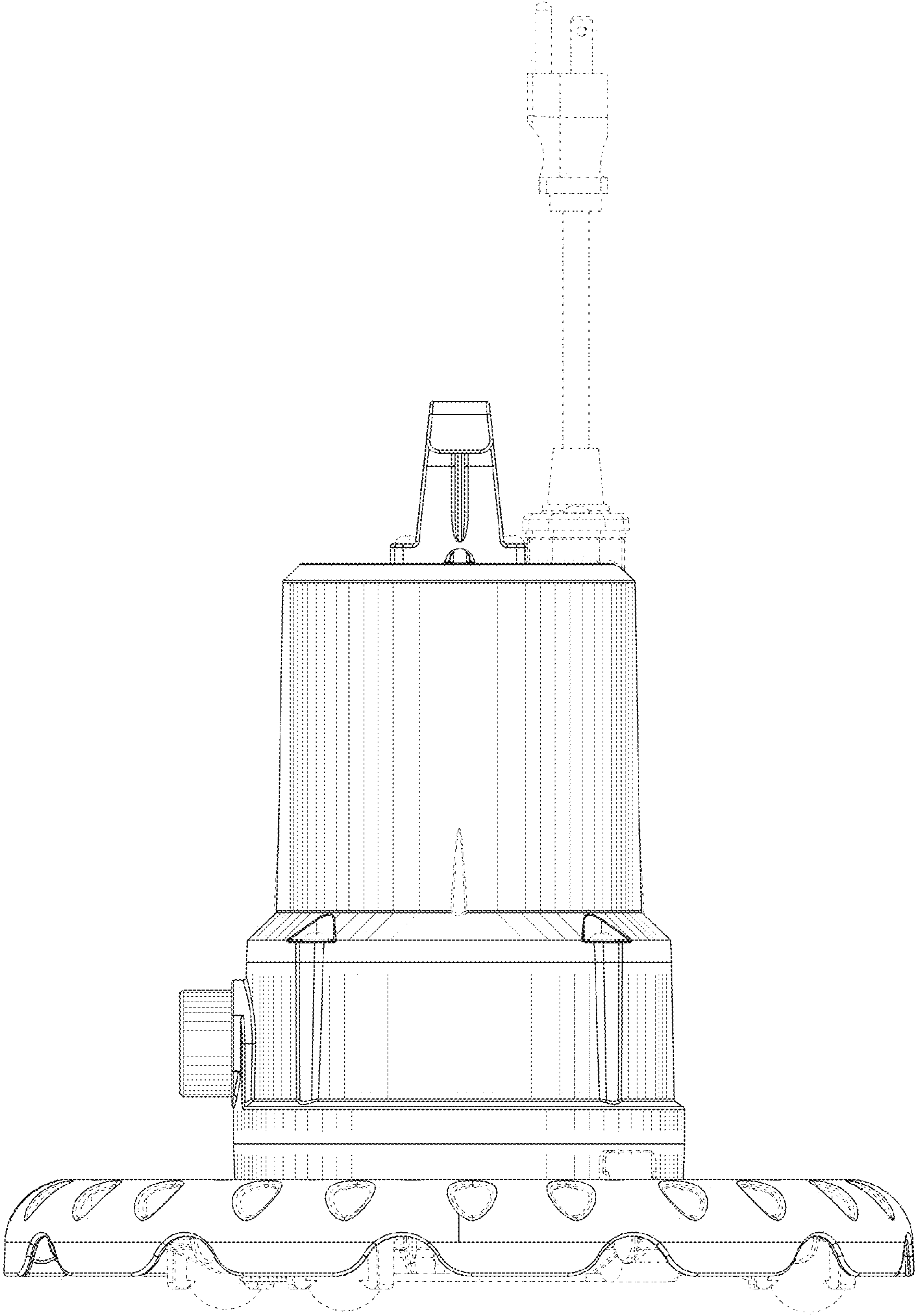


Fig. 4

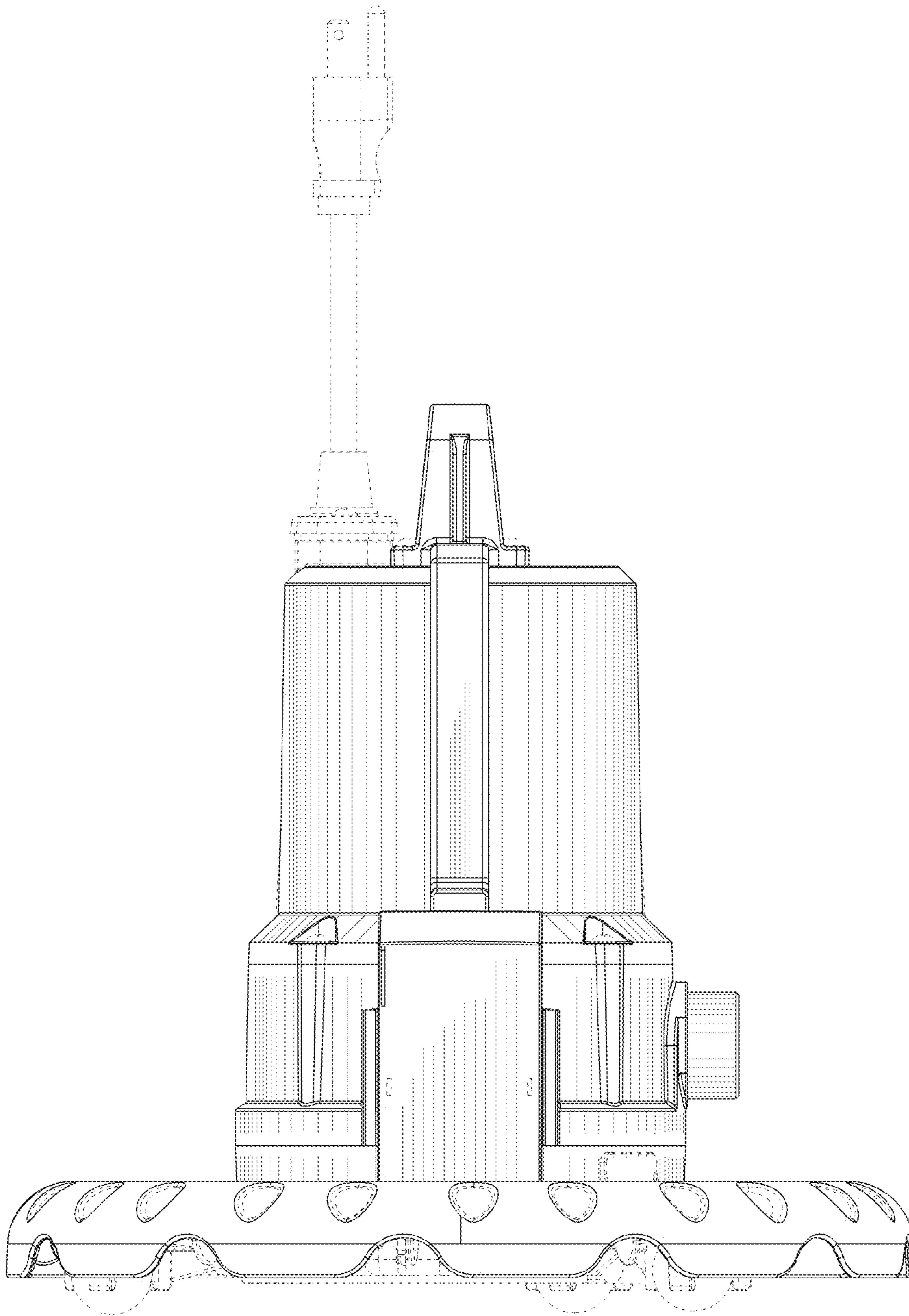


Fig. 5

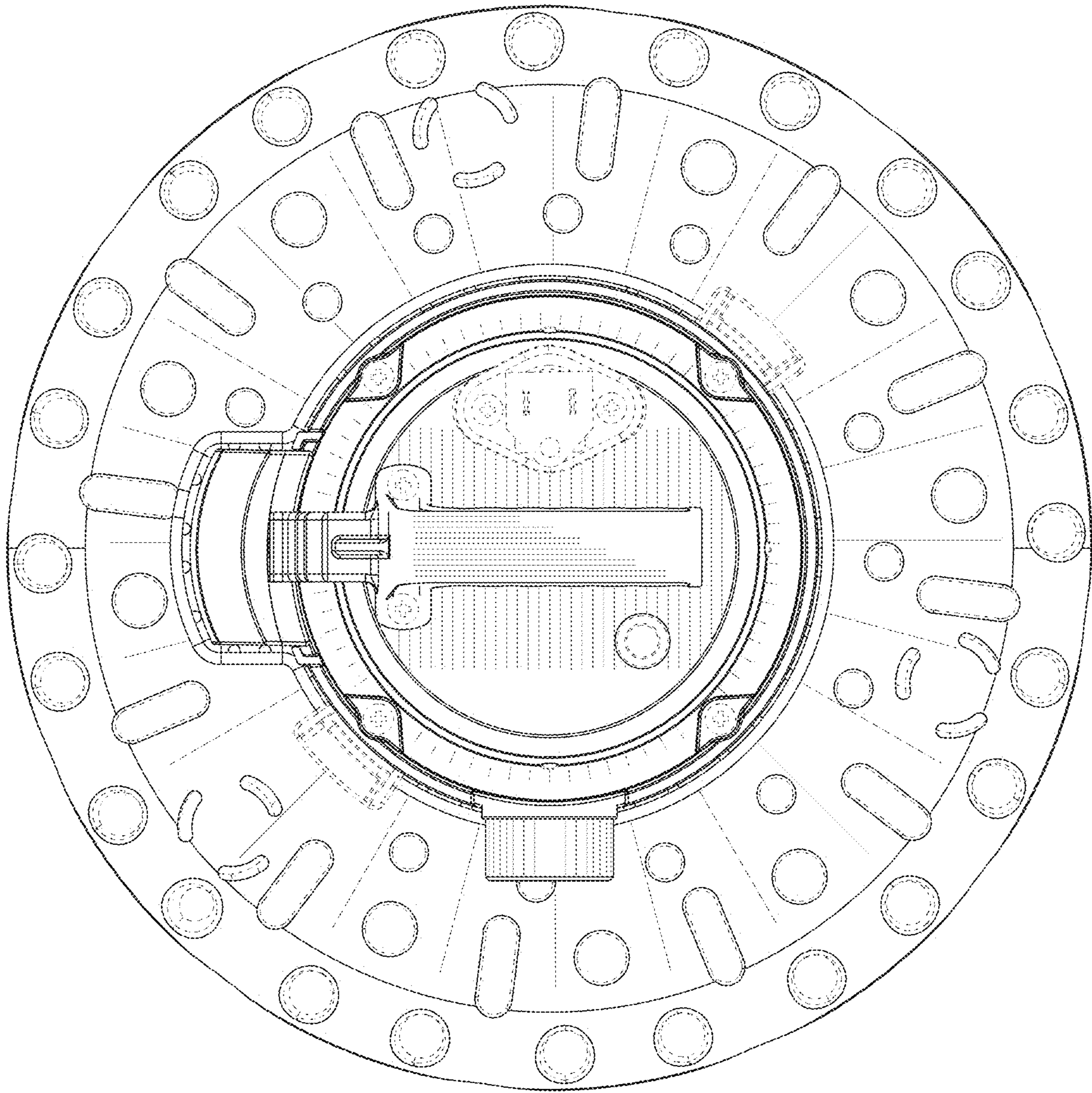


Fig. 6

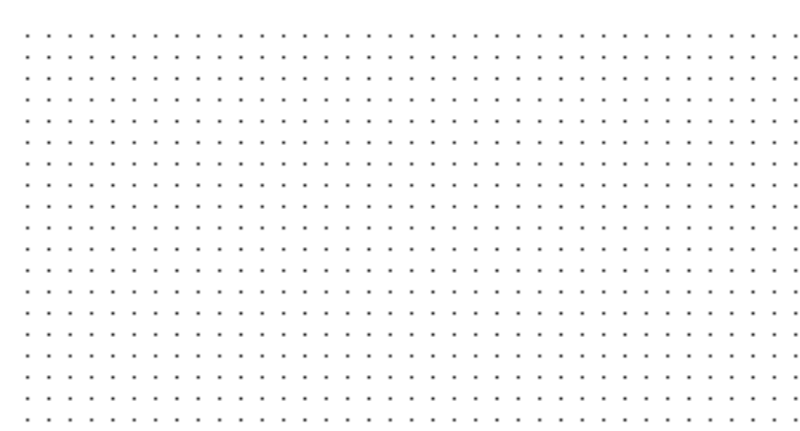
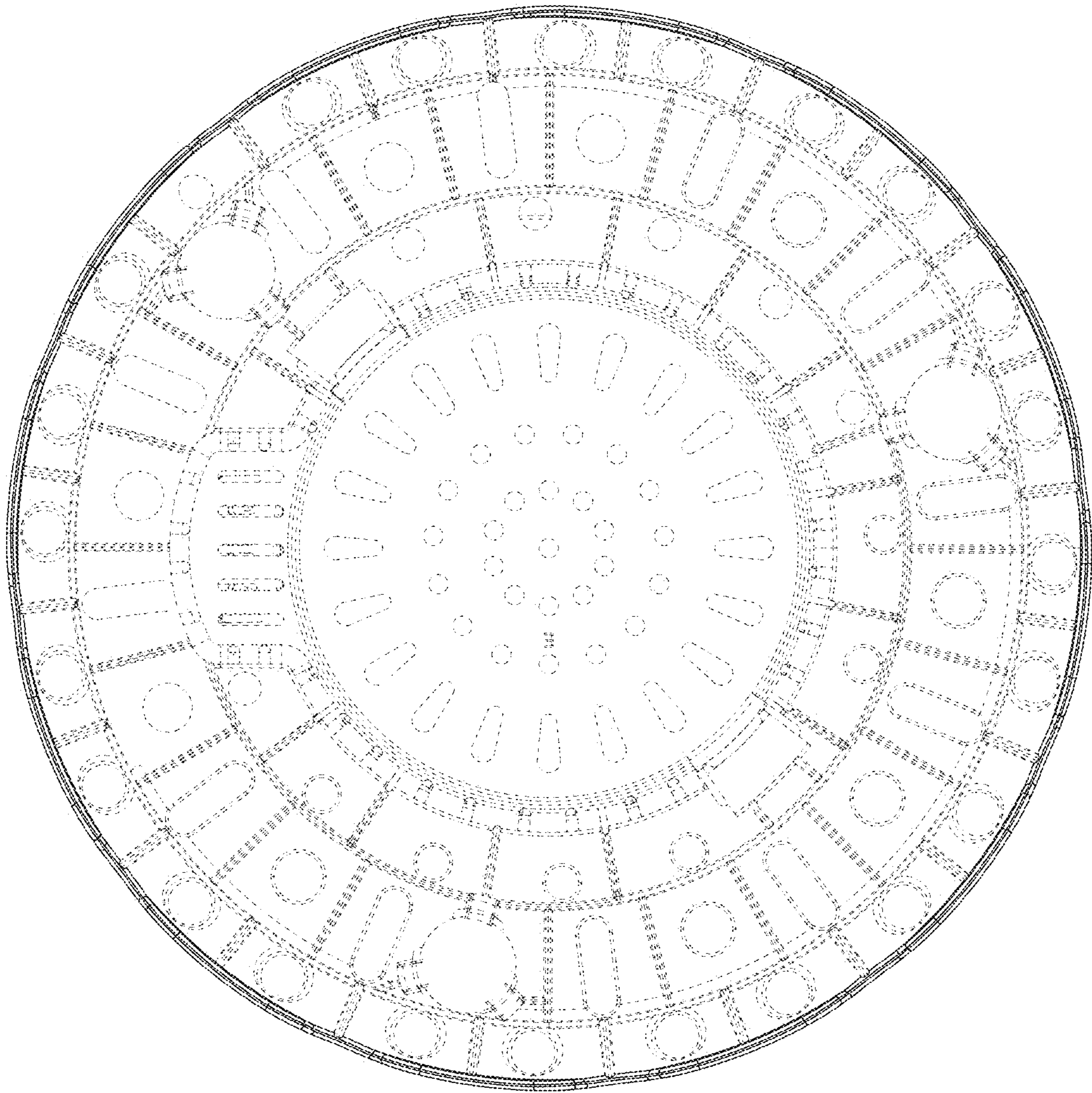


Fig. 7



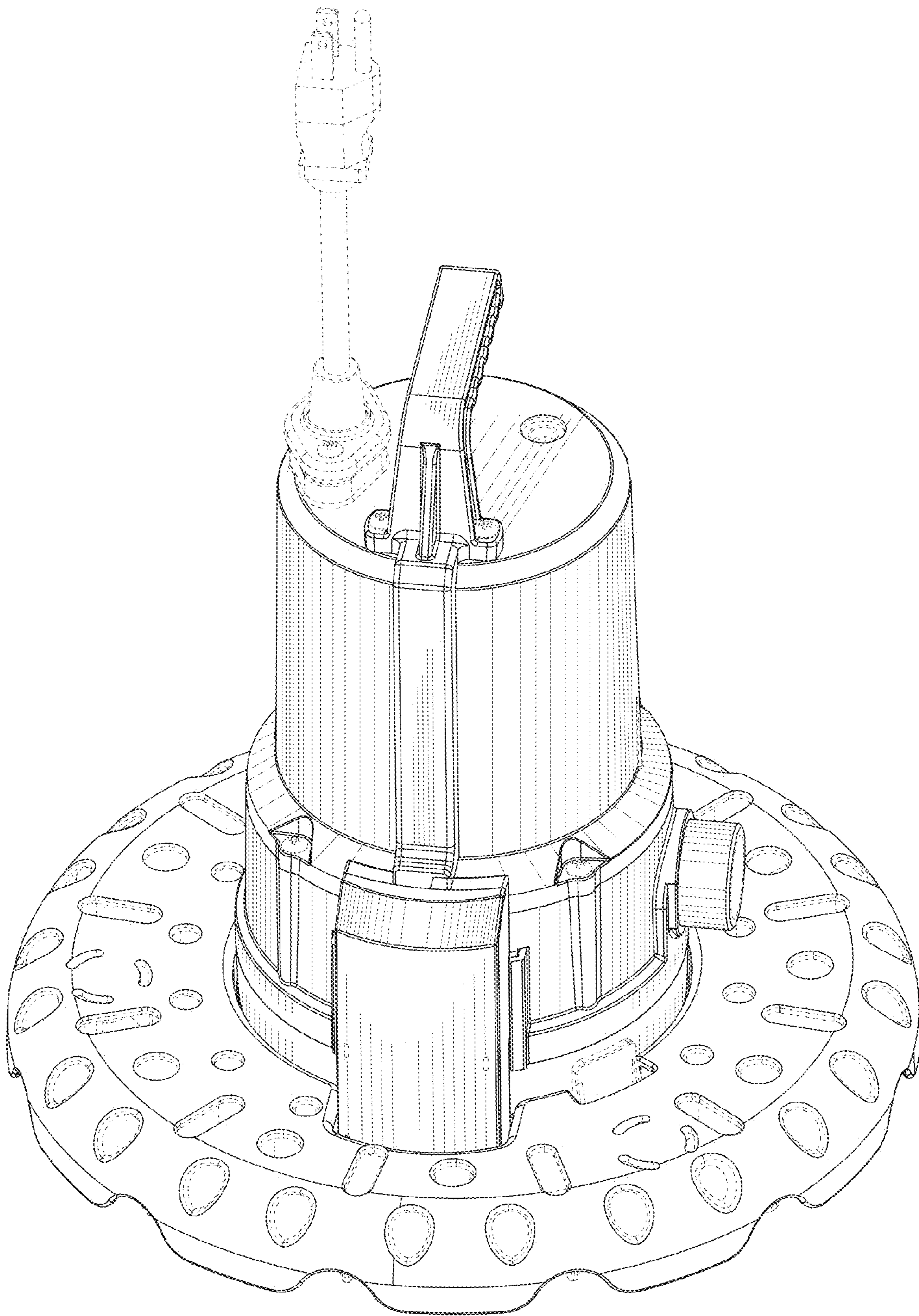


Fig. 8

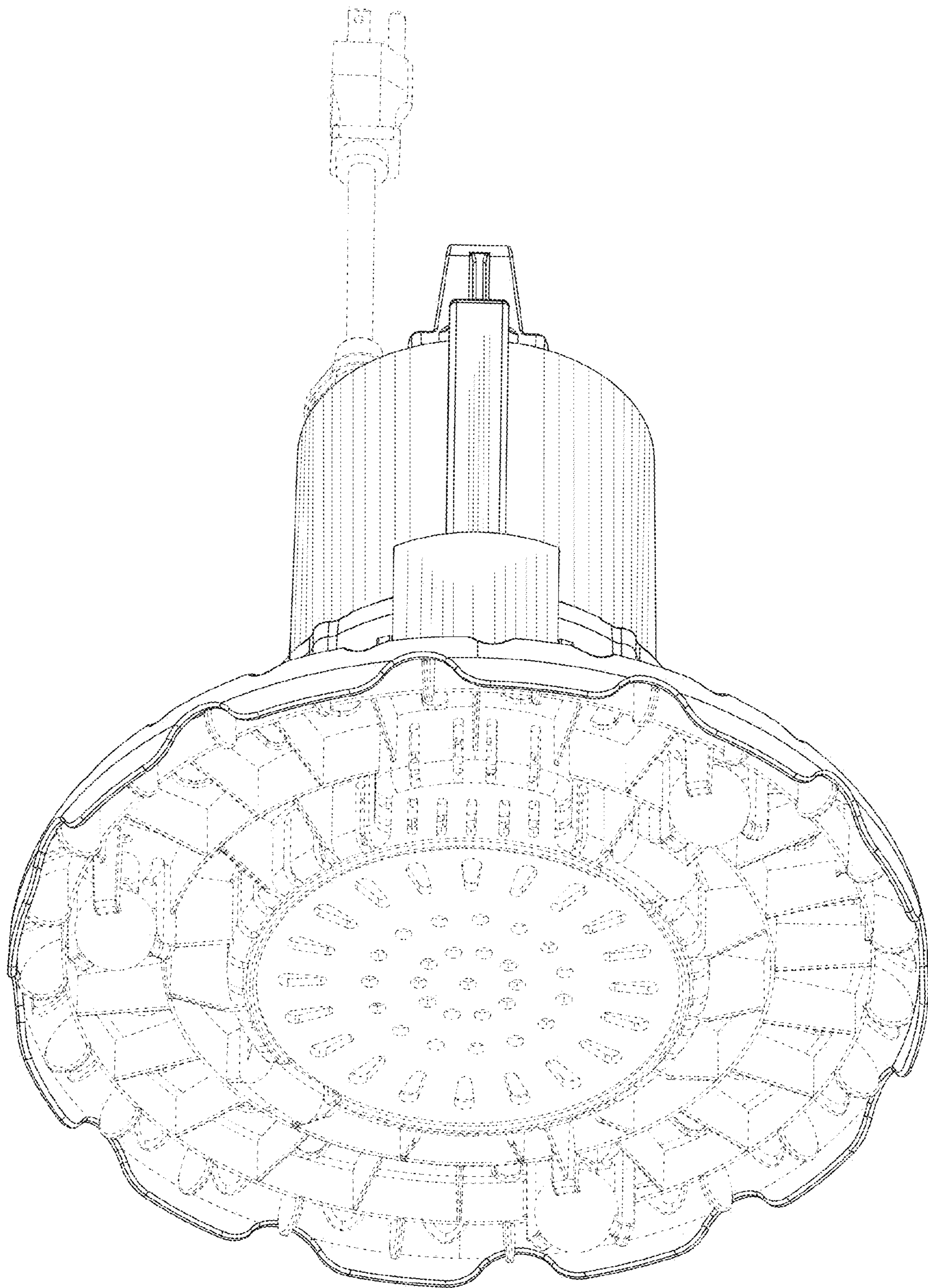


Fig. 9