



US00D886870S

(12) **United States Design Patent**
Alexander

(10) **Patent No.:** **US D886,870 S**
(45) **Date of Patent:** **** Jun. 9, 2020**

(54) **PUMP**

(71) Applicant: **FNA Group, Inc.**, Pleasant Prairie, WI (US)

(72) Inventor: **Gus Alexander**, Inverness, IL (US)

(73) Assignee: **FNA Group, Inc.**, Pleasant Prairie, WI (US)

(**) Term: **15 Years**

(21) Appl. No.: **29/671,353**

(22) Filed: **Nov. 27, 2018**

(51) **LOC (12) Cl.** **15-02**

(52) **U.S. Cl.**
USPC **D15/7**

(58) **Field of Classification Search**
USPC D15/7-9; D23/231, 232, 225
CPC F04B 53/22; F04B 1/0448; F04B 53/92;
F04B 1/005; F04B 17/00; F02M 37/04;
F02M 37/14; F04D 13/06; F04D 29/22;
F04D 29/046; F04D 29/2266

See application file for complete search history.

(56) **References Cited**

U.S. PATENT DOCUMENTS

D354,495 S *	1/1995	Tojo	D15/7
D536,005 S *	1/2007	Reverberi	D15/5
D538,824 S *	3/2007	Tojo	D15/7
D613,765 S *	4/2010	Reverberi	D15/5
D613,766 S *	4/2010	Reverberi	D15/5
D616,467 S *	5/2010	Reverberi	D15/5
D633,101 S *	2/2011	Magri	D15/7
D633,102 S *	2/2011	Magri	D15/7
D633,103 S *	2/2011	Magri	D15/7
D633,104 S *	2/2011	Magri	D15/7
D633,105 S *	2/2011	Magri	D15/7
D633,406 S *	3/2011	Magri	D15/7

D670,312 S *	11/2012	Alexander	D15/7
D688,273 S *	8/2013	Magri	D15/7
D691,638 S *	10/2013	Alexander	D15/7
D692,026 S *	10/2013	Alexander	D15/7
D699,762 S *	2/2014	Alexander	D15/7
D700,211 S *	2/2014	Alexander	D15/7
D726,225 S *	4/2015	Alexander	D15/7
D726,226 S *	4/2015	Alexander	D15/7
D768,208 S *	10/2016	Paderni	D15/7
9,677,548 B2 *	6/2017	Paderni	F04B 1/005
D797,156 S *	9/2017	Paderni	D15/7
D823,898 S *	7/2018	Alexander	D15/7
D823,899 S *	7/2018	Alexander	D15/7
D823,900 S *	7/2018	Alexander	D15/7
D825,615 S *	8/2018	Alexander	D15/7
2018/0298885 A1 *	10/2018	Gilpatrick	F04B 1/145

* cited by examiner

Primary Examiner — Mitchell I. Siegel

(74) *Attorney, Agent, or Firm* — Steven E. Jedlinski;
Jeffrey T. Placker; Holland & Knight LLP

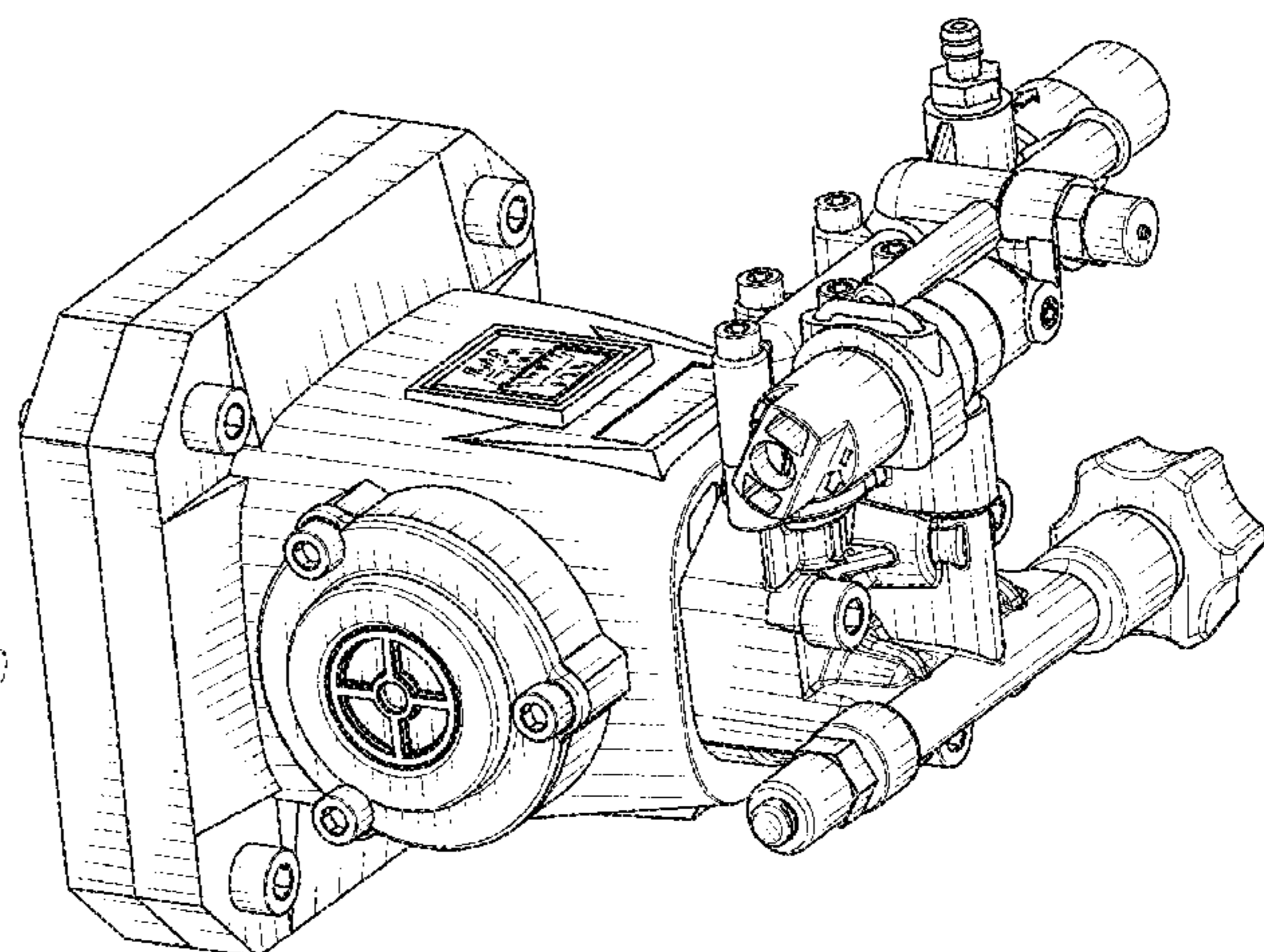
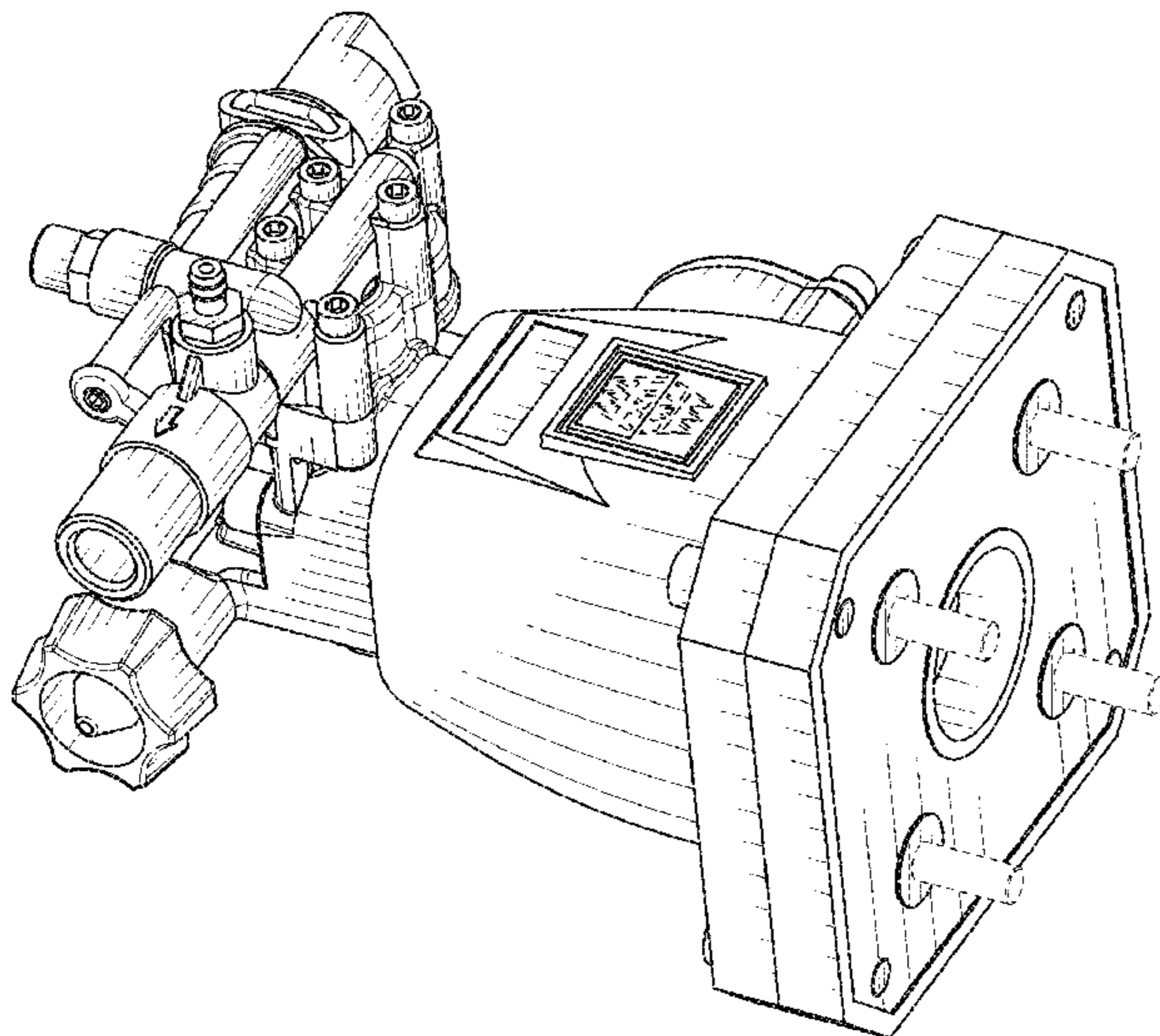
(57) **CLAIM**

The ornamental design for a pump, as shown and described.

DESCRIPTION

FIG. 1 is a top-rear-right perspective view of a pump;
FIG. 2 is a top-front-right perspective view thereof;
FIG. 3 is a top-front-left perspective view thereof;
FIG. 4 is a bottom-front-right perspective view thereof;
FIG. 5 is a bottom-rear-left perspective view thereof;
FIG. 6 is a left elevation view thereof;
FIG. 7 is a right elevation view thereof;
FIG. 8 is a front elevation view thereof;
FIG. 9 is rear elevation view thereof;
FIG. 10 is a bottom plan view thereof; and,
FIG. 11 is a top plan view thereof.
The broken lines are included for the purpose of illustrating portions of the pump that form no part of the claimed design.

1 Claim, 11 Drawing Sheets



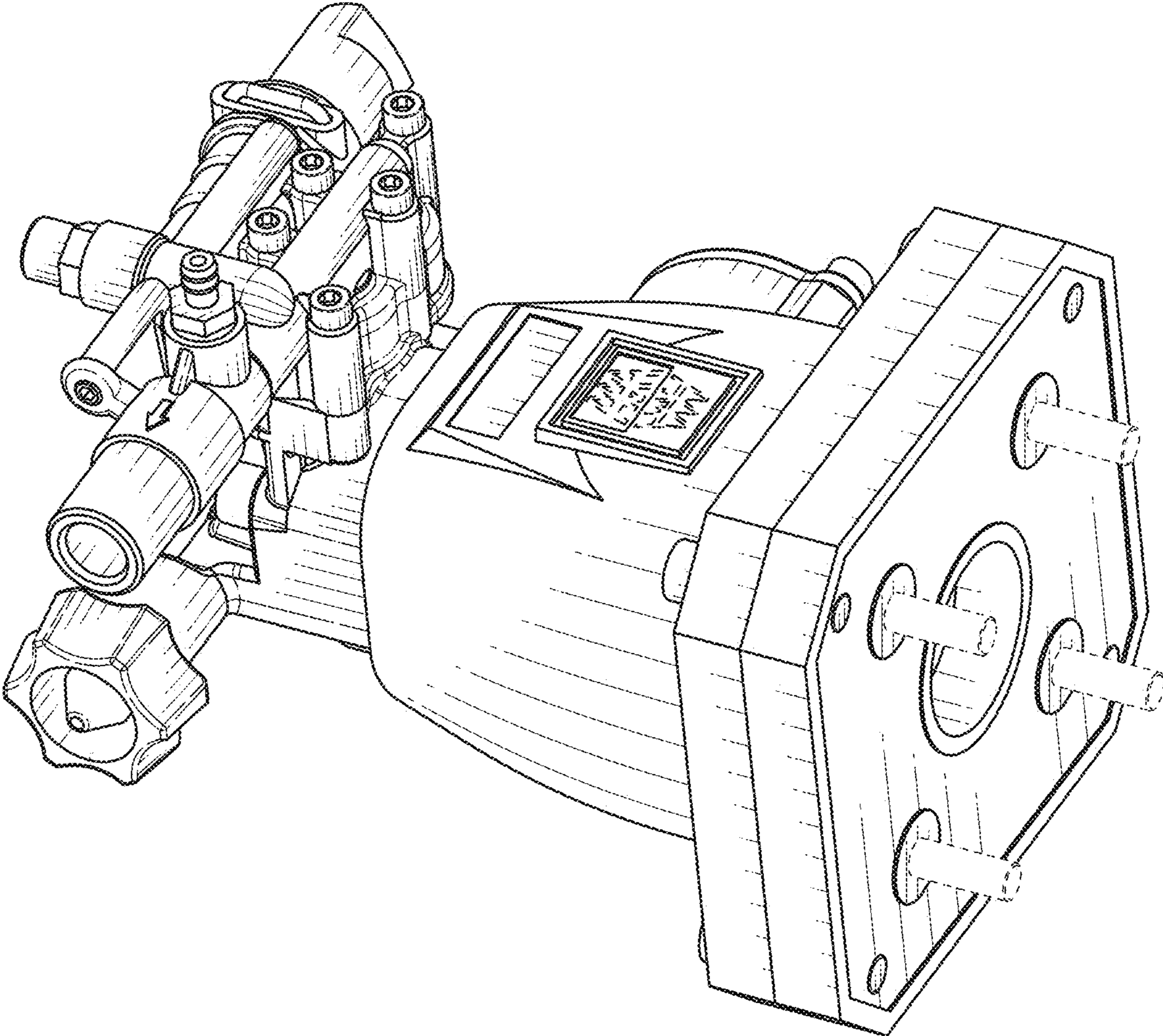


FIG. 1

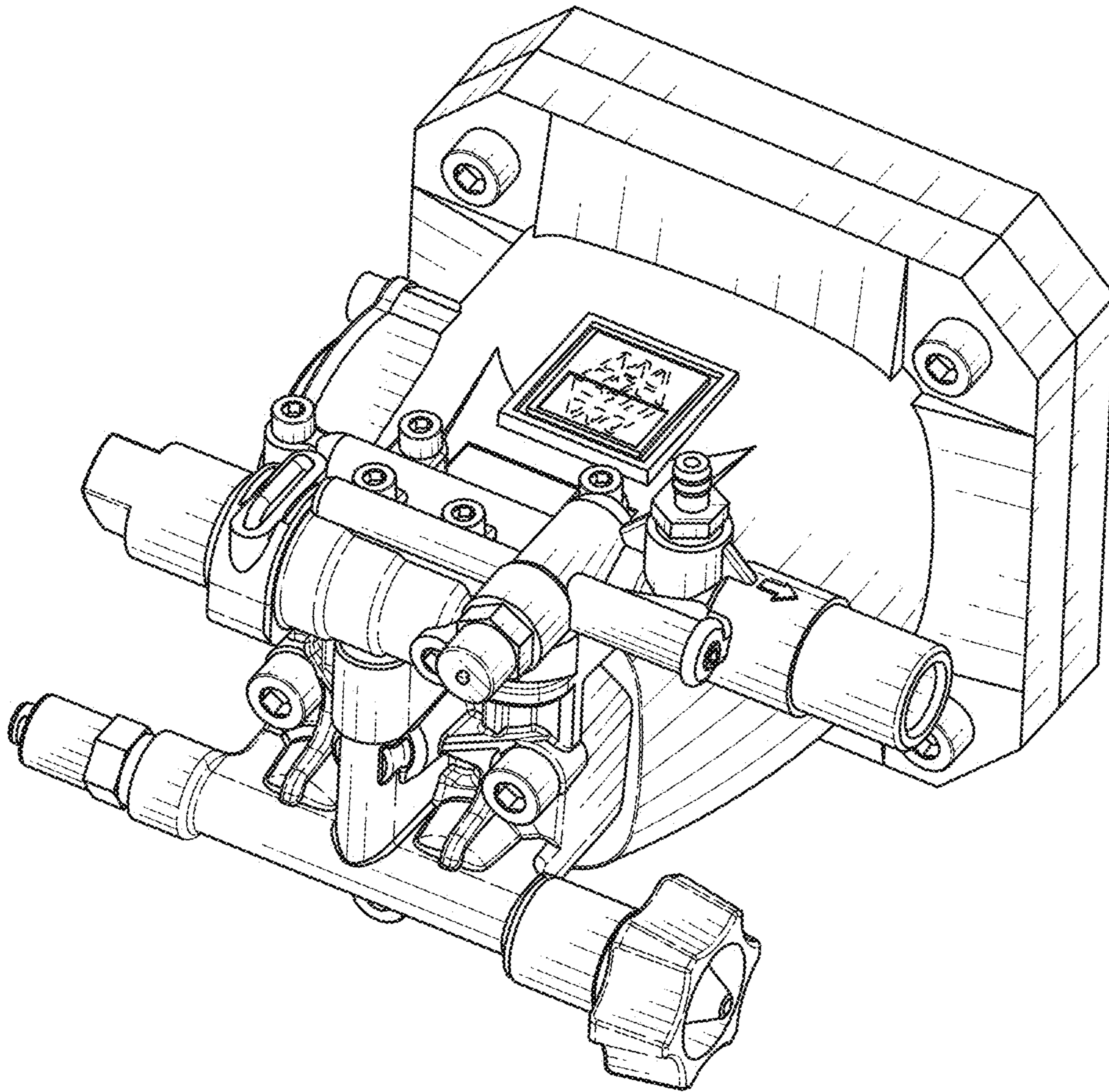


FIG. 2

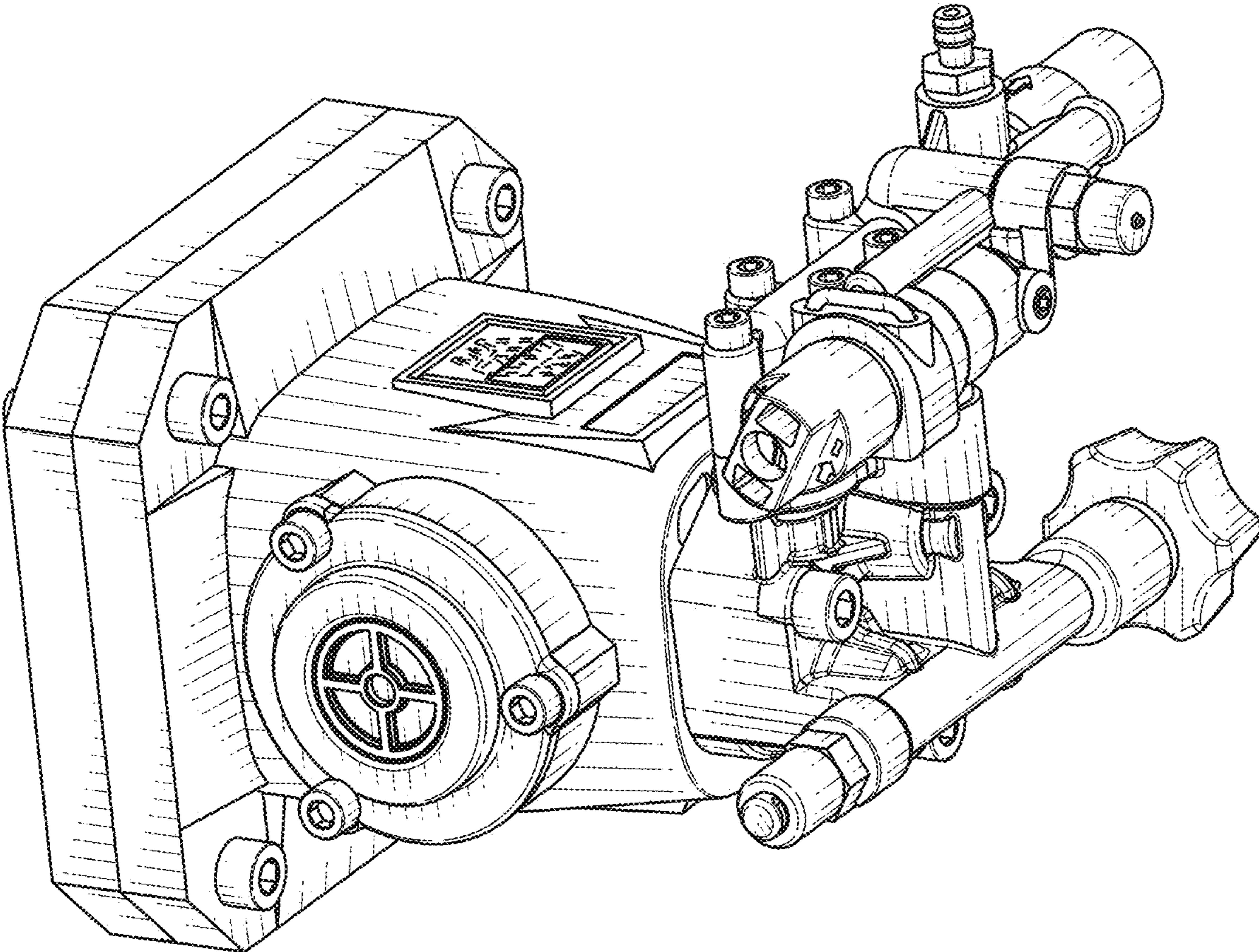


FIG. 3

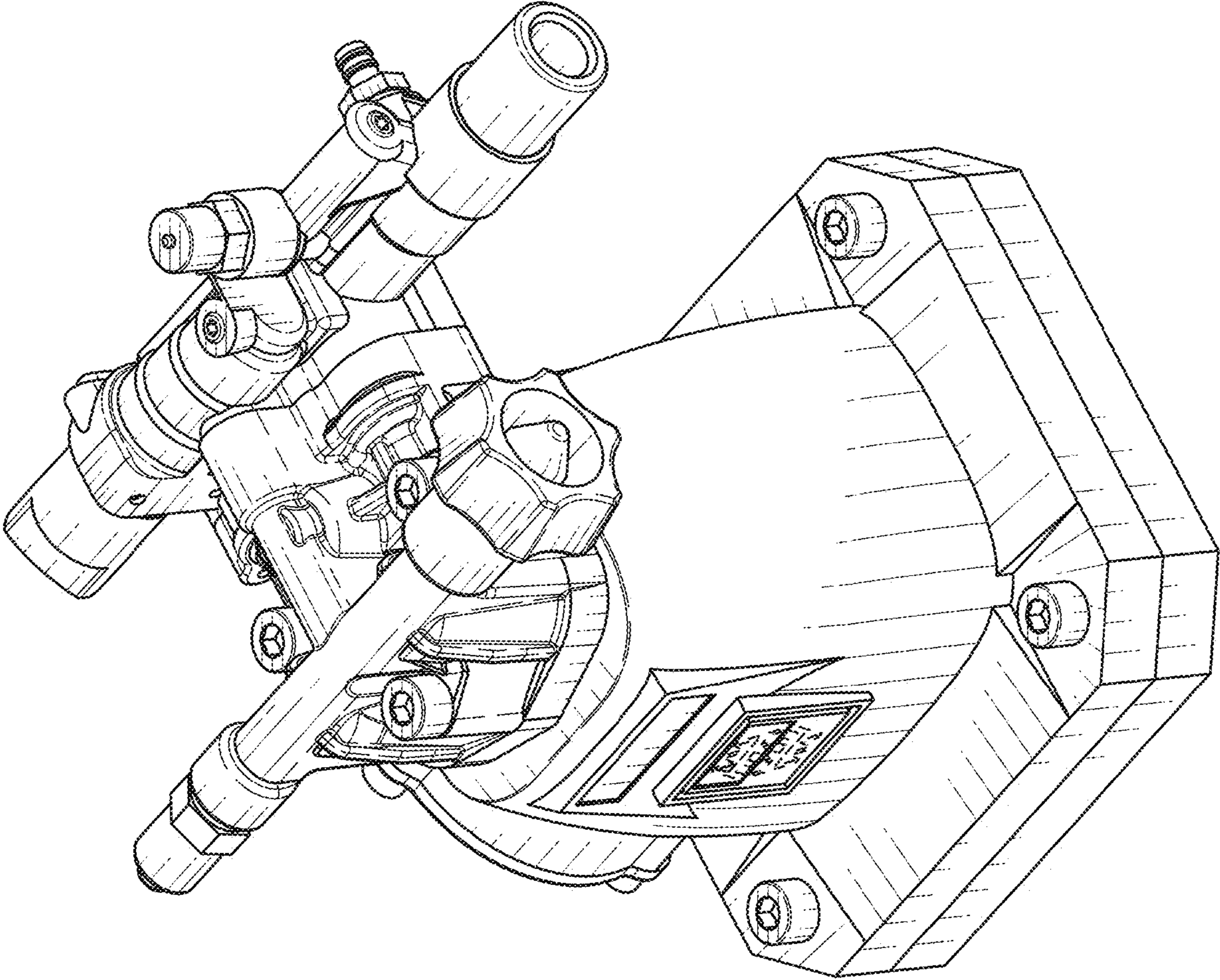


FIG. 4

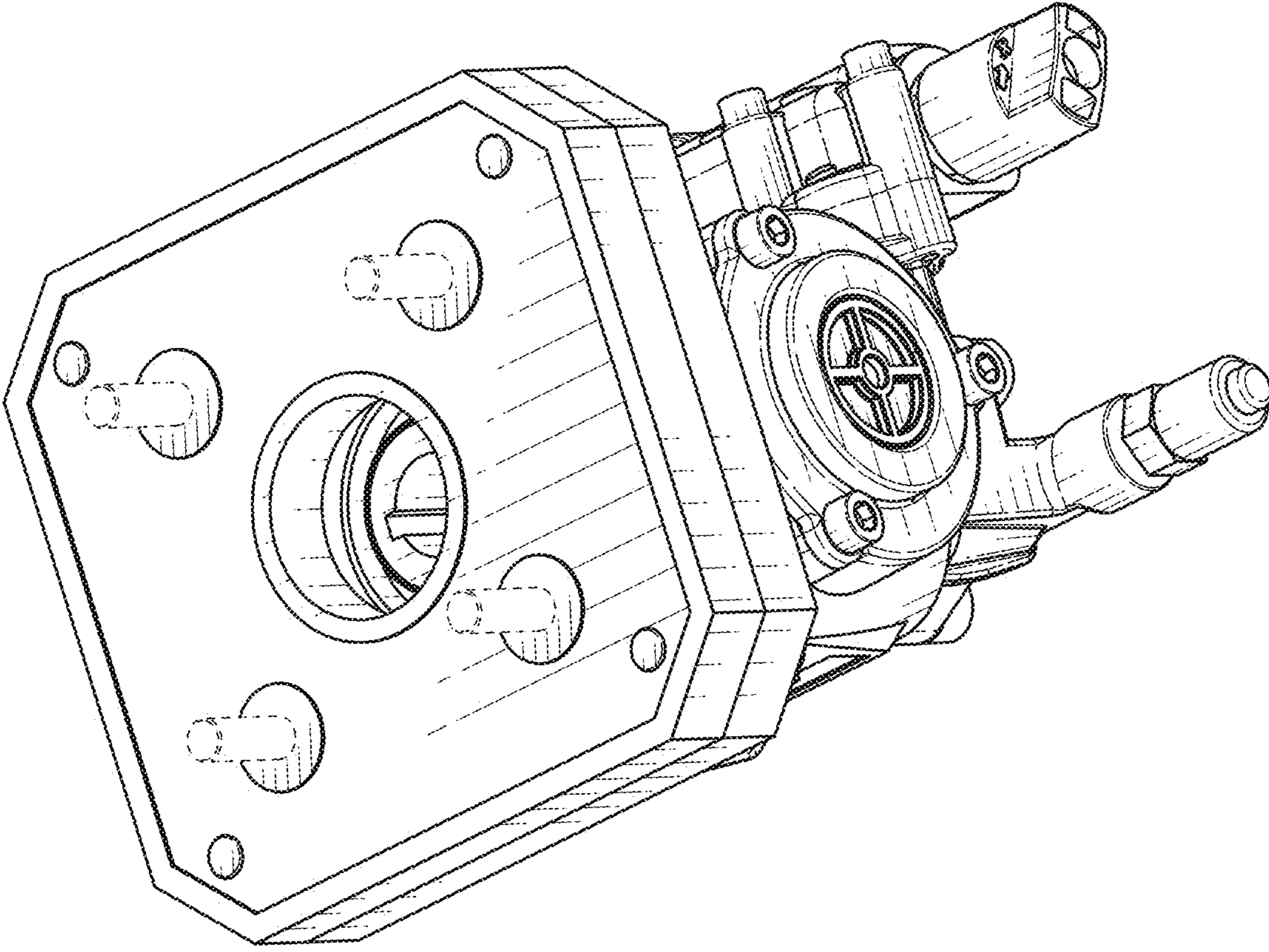


FIG. 5

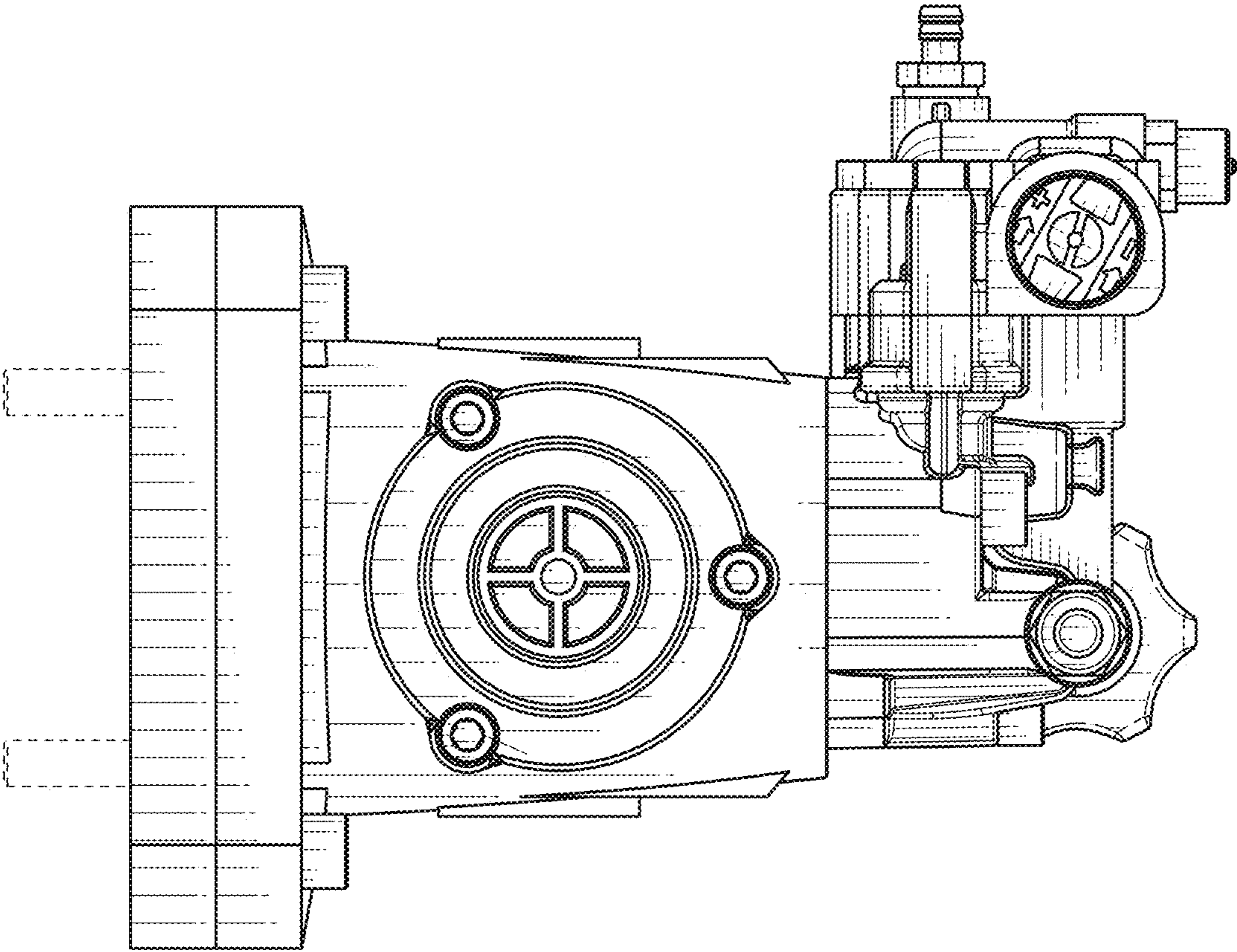


FIG. 6

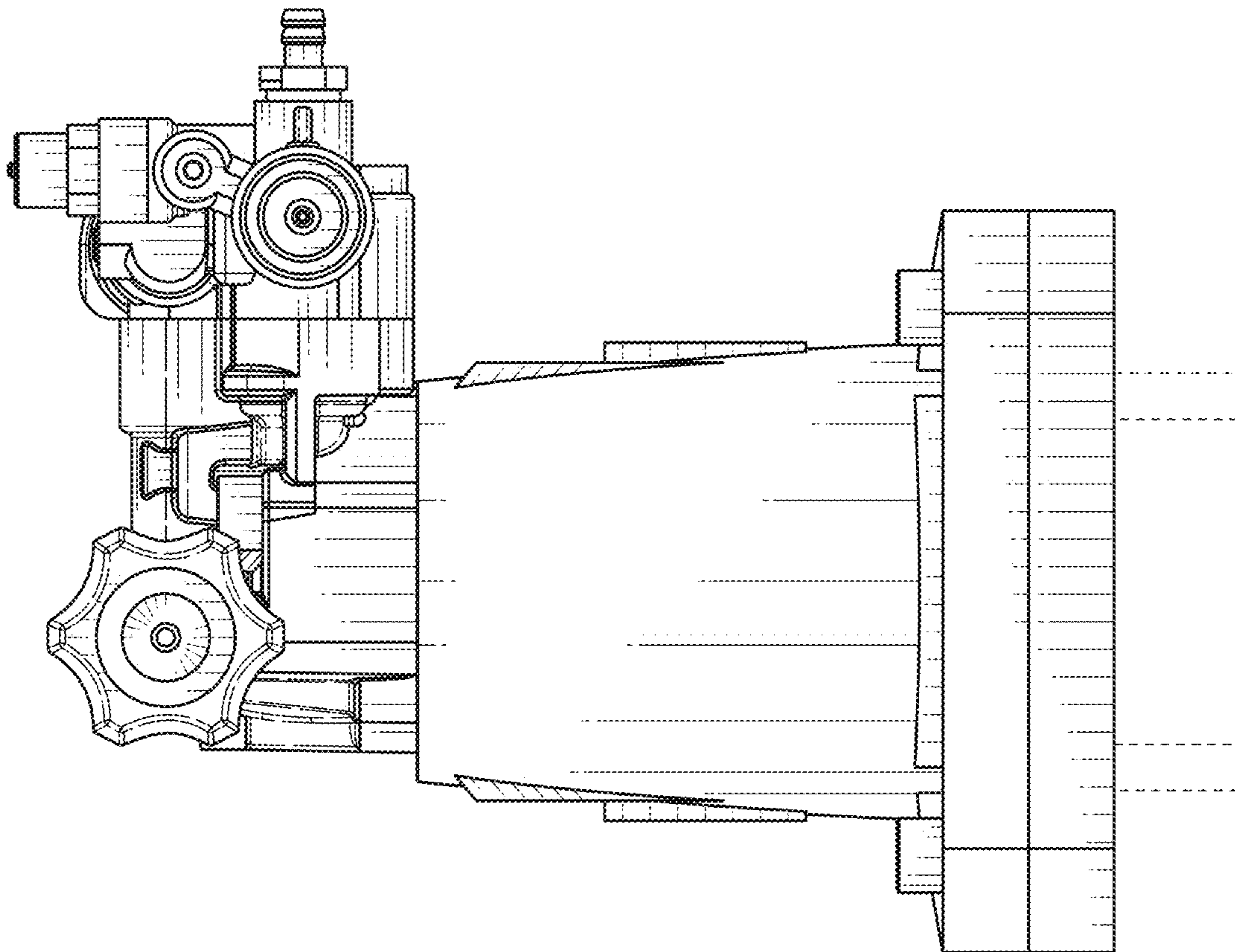


FIG. 7

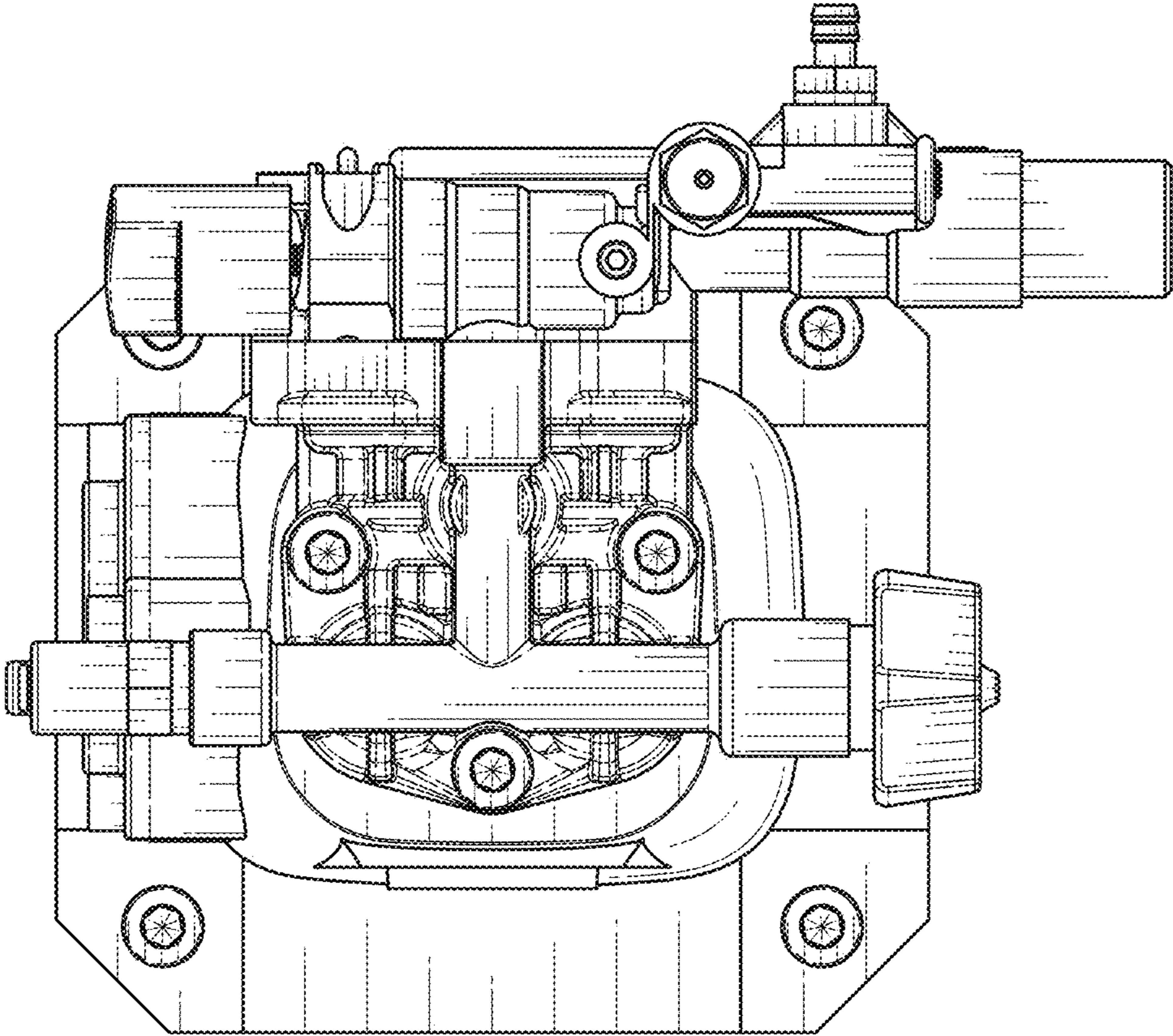


FIG. 8

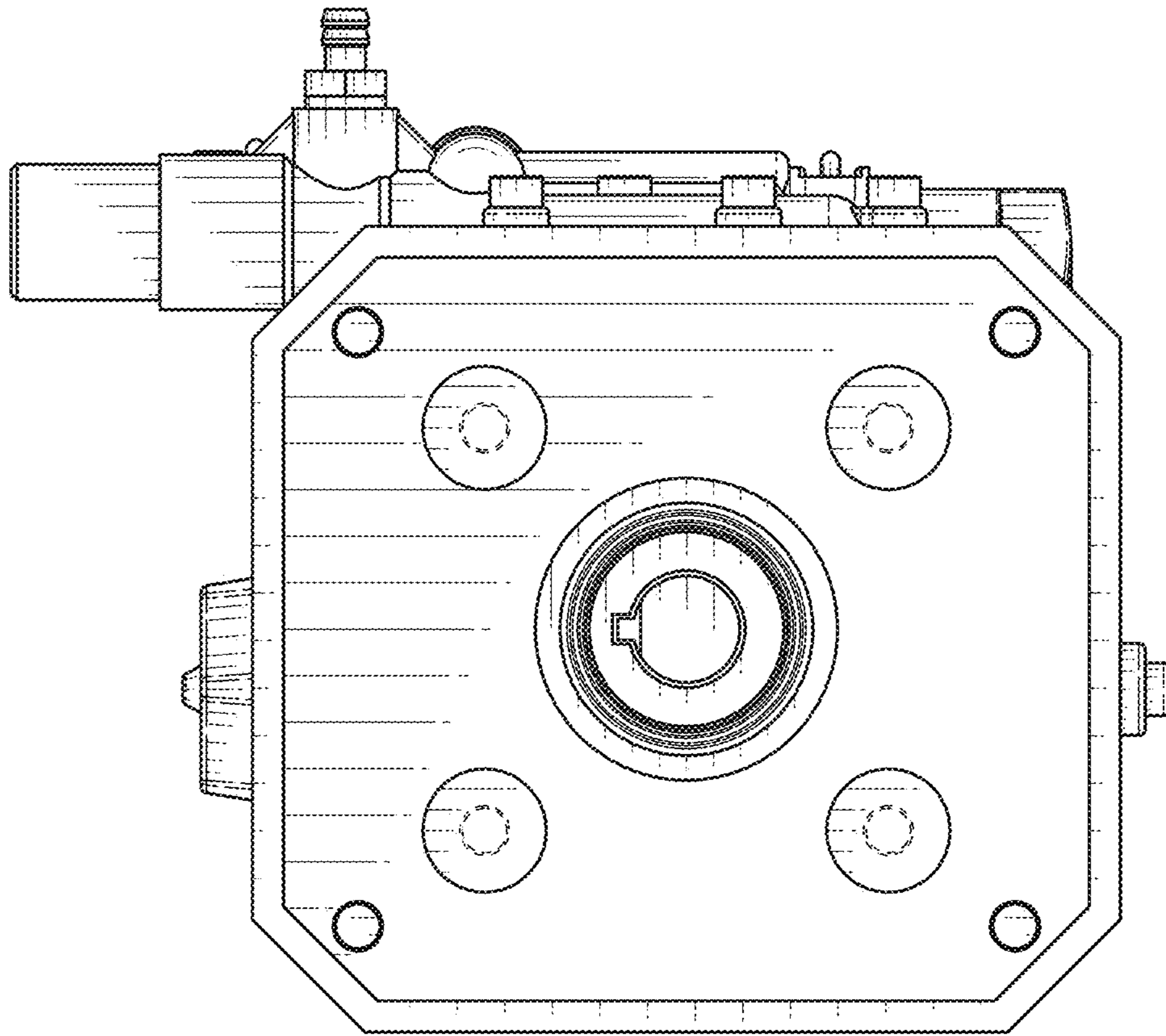


FIG. 9

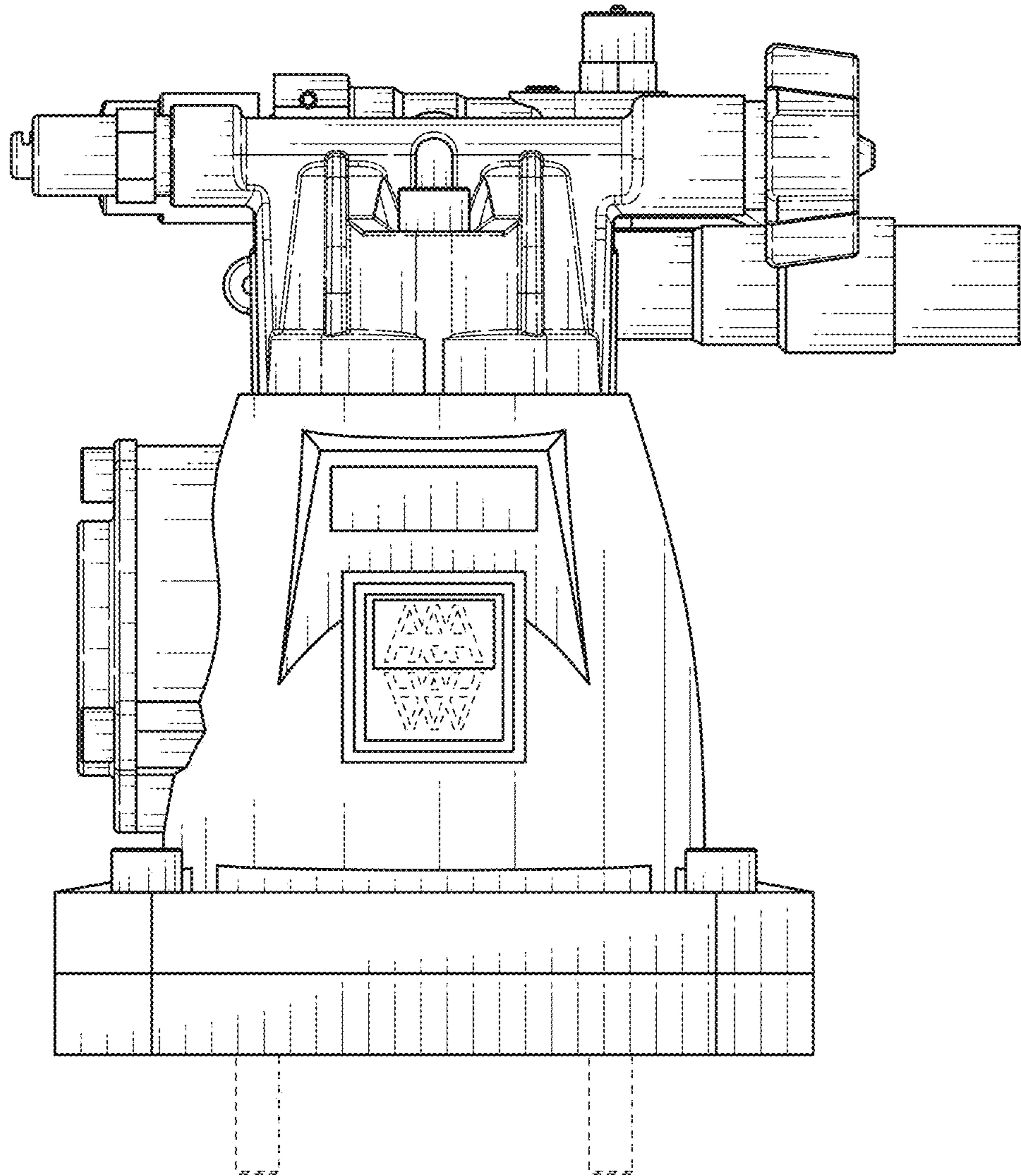


FIG. 10

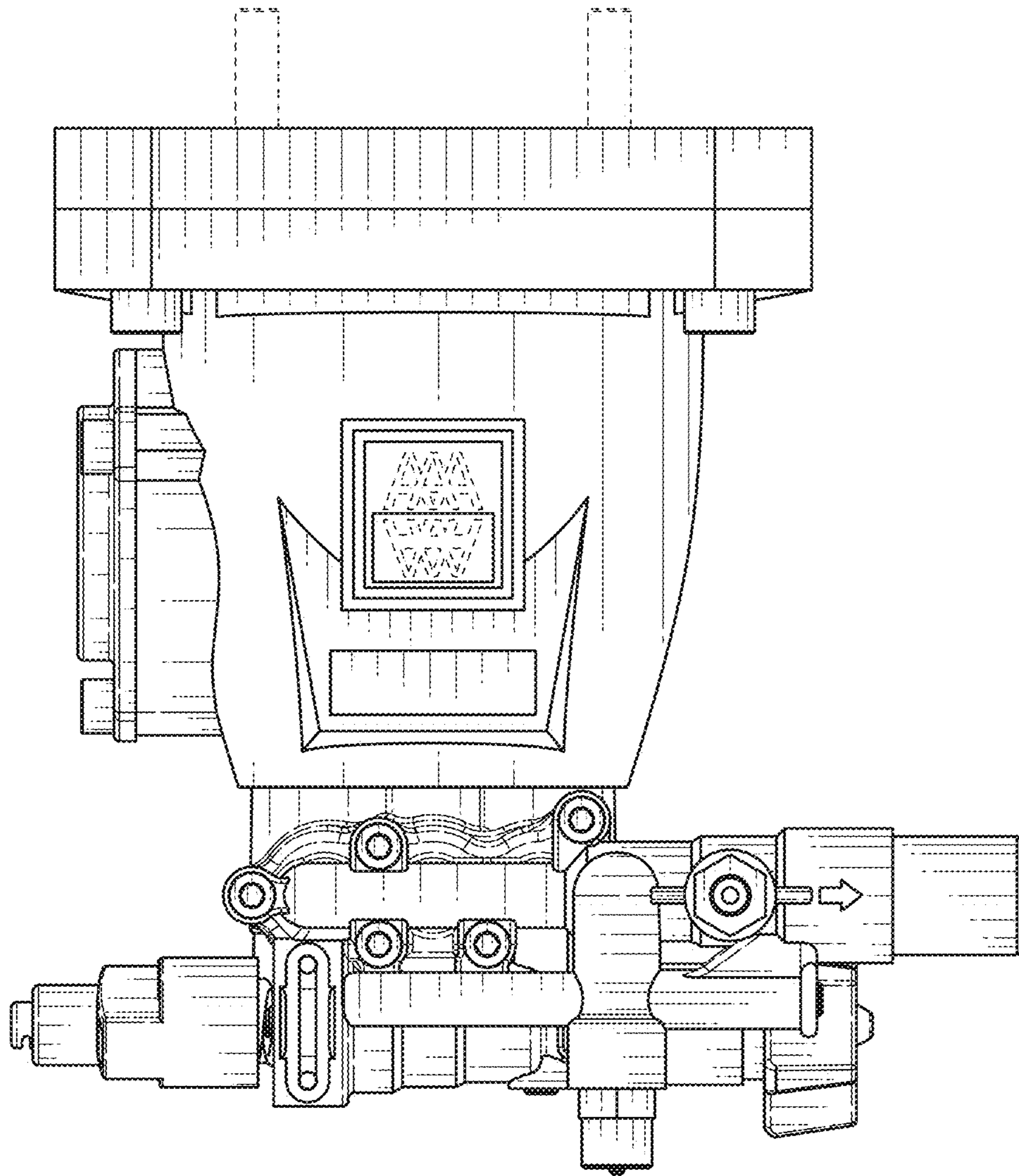


FIG. 11