



US00D886868S

(12) **United States Design Patent**
Niakan et al.

(10) **Patent No.:** **US D886,868 S**
(45) **Date of Patent:** **** Jun. 9, 2020**

(54) **AIR INTAKE SYSTEM WITH A RIBBED AIRBOX**

(71) Applicant: **Advanced Flow Engineering, Inc.**,
Corona, CA (US)

(72) Inventors: **Shahriar Nick Niakan**, Corona, CA
(US); **George R. Chiang**, Corona, CA
(US)

(73) Assignee: **Advanced Flow Engineering, Inc.**,
Corona, CA (US)

(**) Term: **15 Years**

(21) Appl. No.: **29/656,478**

(22) Filed: **Jul. 12, 2018**

(51) **LOC (12) Cl.** **15-01**

(52) **U.S. Cl.**
USPC **D15/5**

(58) **Field of Classification Search**
USPC D15/1-6
See application file for complete search history.

(56) **References Cited**

U.S. PATENT DOCUMENTS

D749,134 S *	2/2016	Niakan	D15/5
D754,208 S *	4/2016	Niakan	D15/5
D762,247 S *	7/2016	Niakan	D15/5
D762,735 S *	8/2016	Niakan	D15/5
D762,736 S *	8/2016	Niakan	D15/5
2005/0150483 A1 *	7/2005	Sorensen	F02B 37/00 123/559.1
2006/0196462 A1 *	9/2006	Quezada	F02M 35/10144 123/184.21
2008/0041328 A1 *	2/2008	Granatelli	F02M 35/021 123/184.21

2011/0067574 A1 *	3/2011	Walz	B01D 46/08 96/422
2012/0073539 A1 *	3/2012	Lee	F02F 7/006 123/198 E
2012/0152632 A1 *	6/2012	Azuma	F02M 35/162 180/68.3
2014/0116015 A1 *	5/2014	Niakan	B01D 46/2411 55/495
2016/0176284 A1 *	6/2016	Nugteren	B60K 13/04 180/309
2016/0289921 A1 *	10/2016	Liu	E02F 3/76
2017/0284346 A1 *	10/2017	Kontani	B62J 99/00
2018/0216584 A1 *	8/2018	Overgaard	B60R 13/0838

* cited by examiner

Primary Examiner — Ania Aman

(74) *Attorney, Agent, or Firm* — K. David Crockett, Esq.;
Niky Economy Syrengelas, Esq.; Crockett & Crockett, PC

(57) **CLAIM**

The ornamental design for an air intake system with a ribbed airbox, as shown and described.

DESCRIPTION

FIG. 1 is a left-front perspective view of an air intake system with a ribbed airbox showing our new design.

FIG. 2 is a front elevation view thereof.

FIG. 3 is a left side elevation view thereof.

FIG. 4 cross-section view of the air intake system of FIG. 3 taken along 4-4.

FIG. 5 is a right side elevation view thereof.

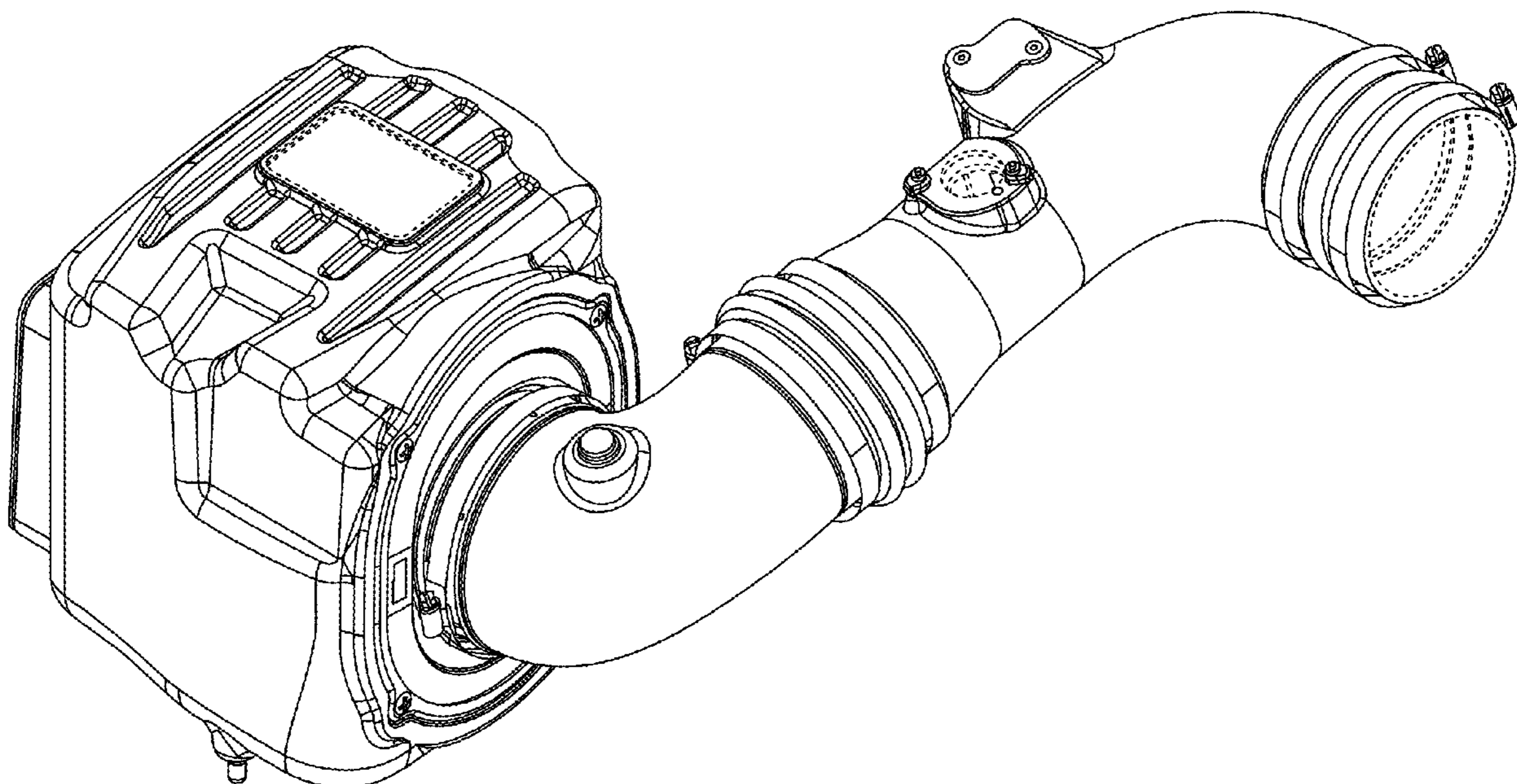
FIG. 6 is a rear elevation view thereof.

FIG. 7 is a top plan view thereof; and,

FIG. 8 is a bottom plan view thereof.

Broken lines in the attached drawings are included for the purpose of illustrating portions of the air intake system with a ribbed airbox and form no part of the claimed design.

1 Claim, 7 Drawing Sheets



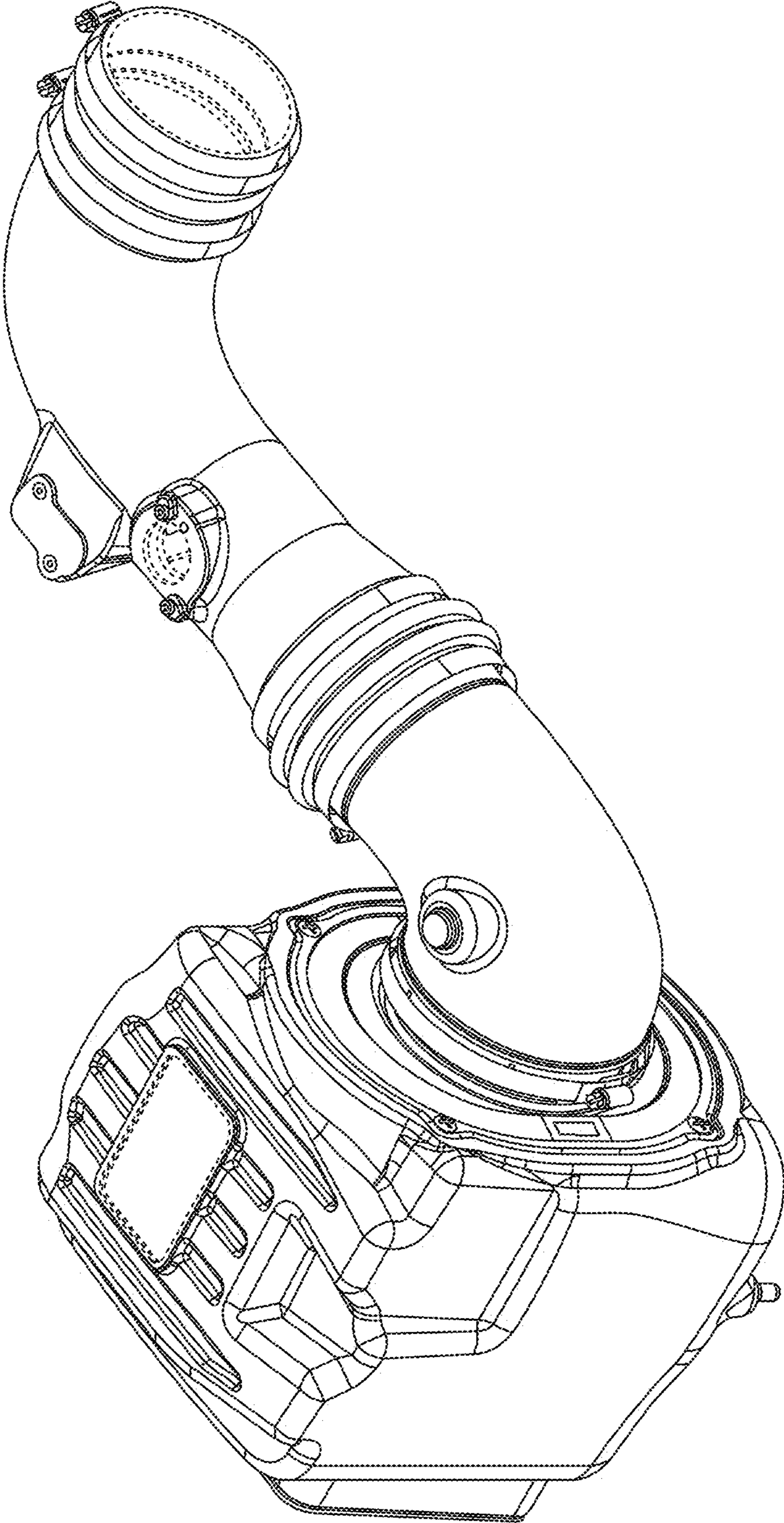


FIG. 1

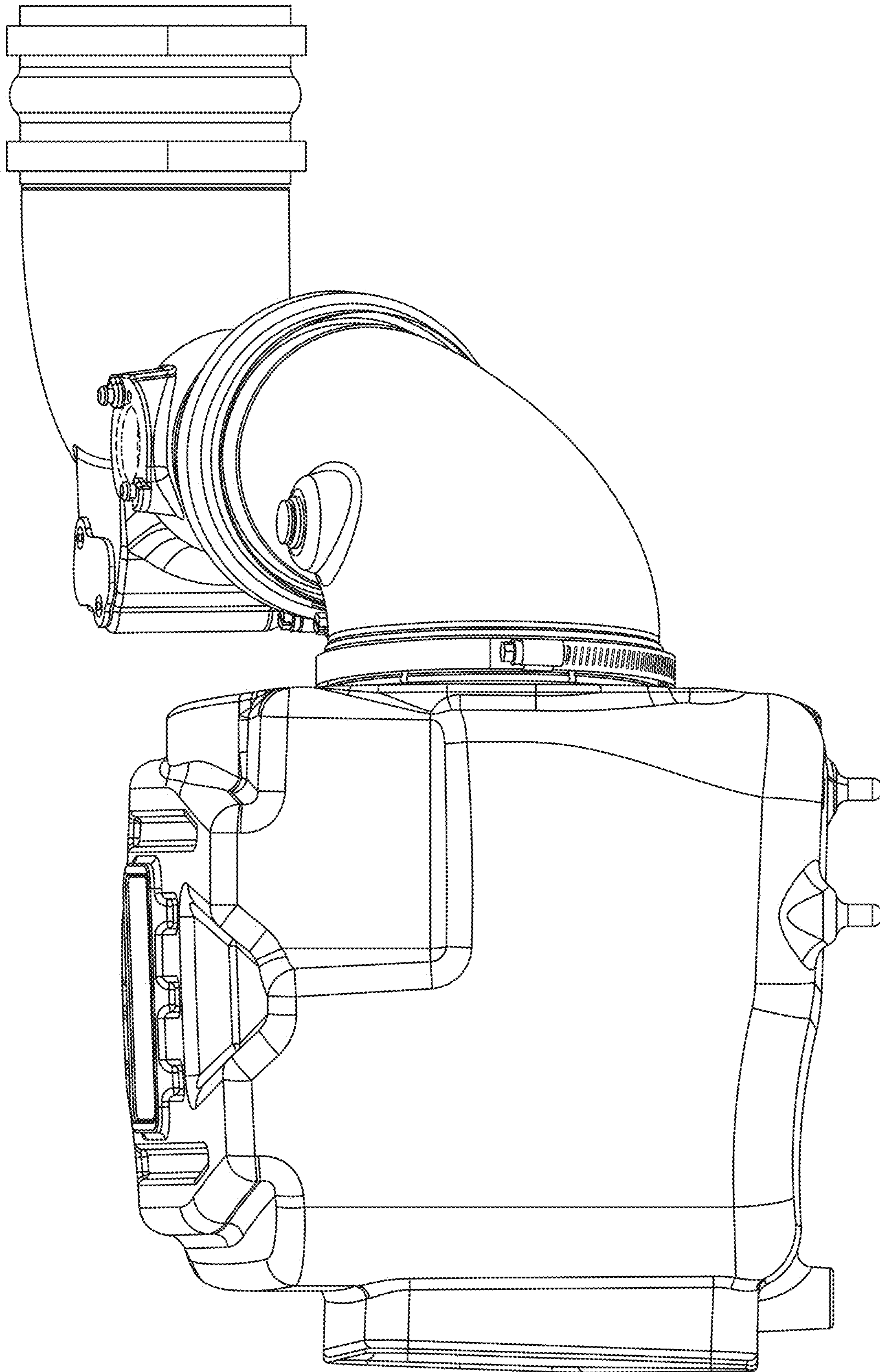


FIG. 2

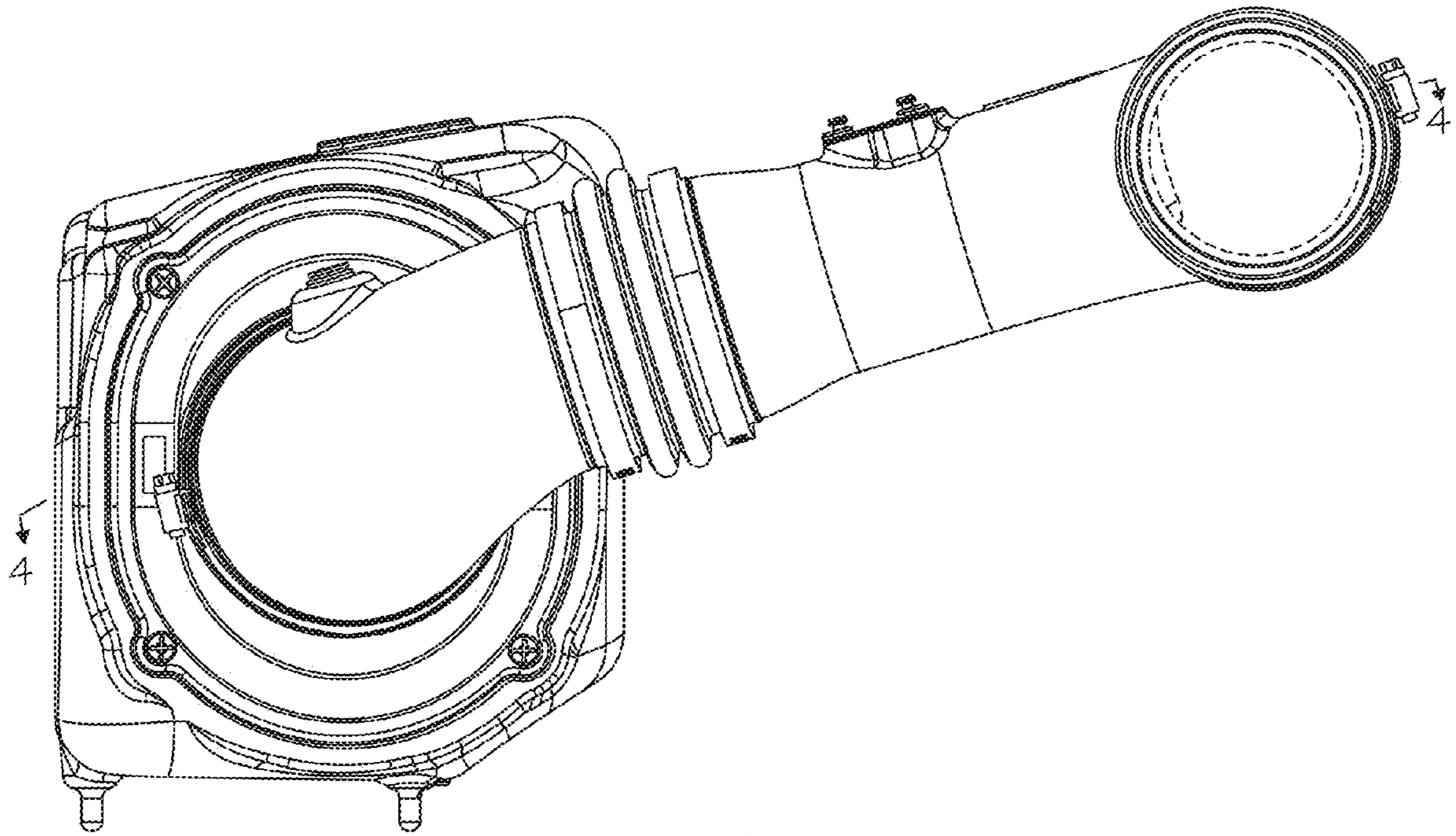


FIG. 3

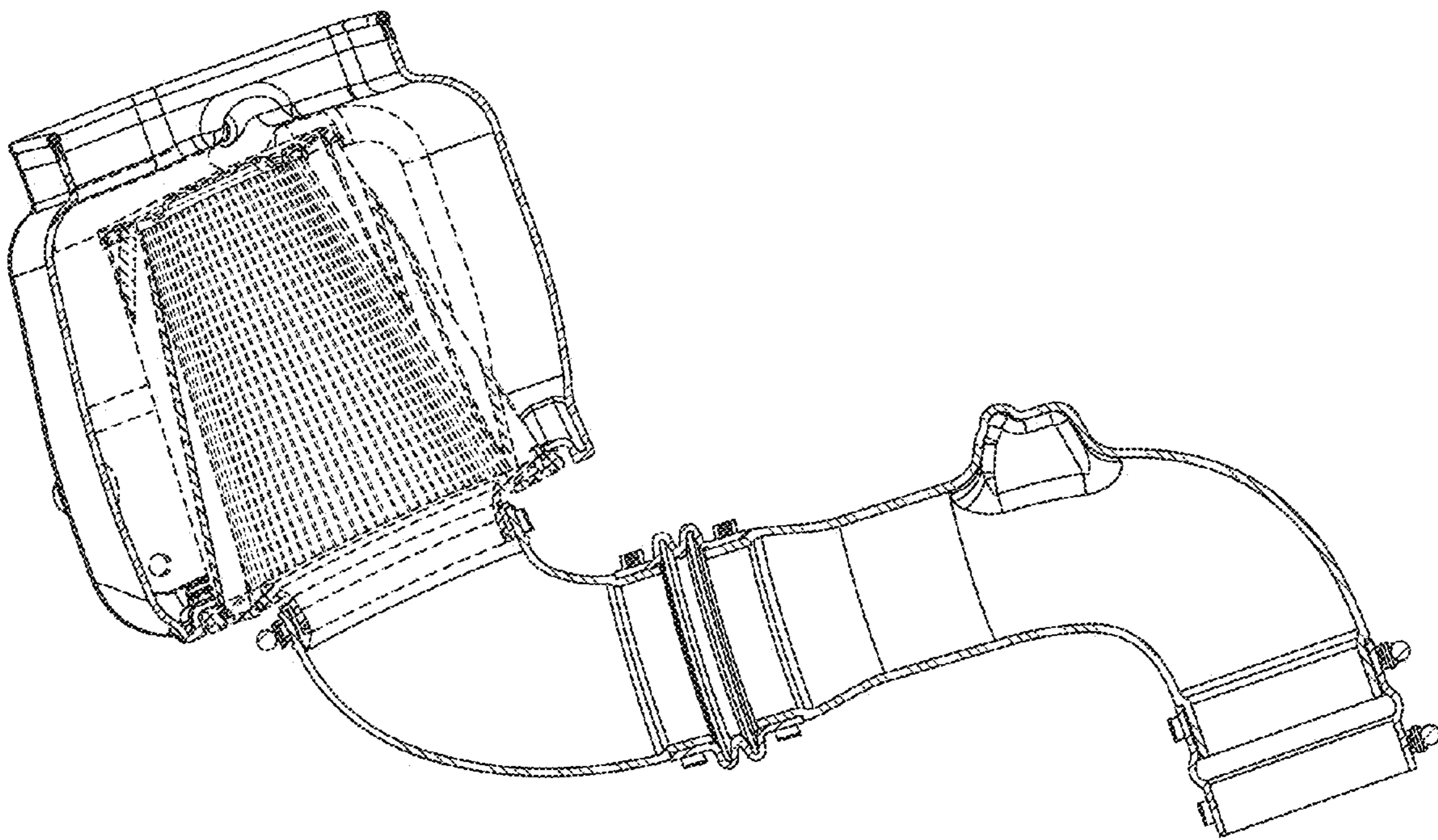


FIG. 4

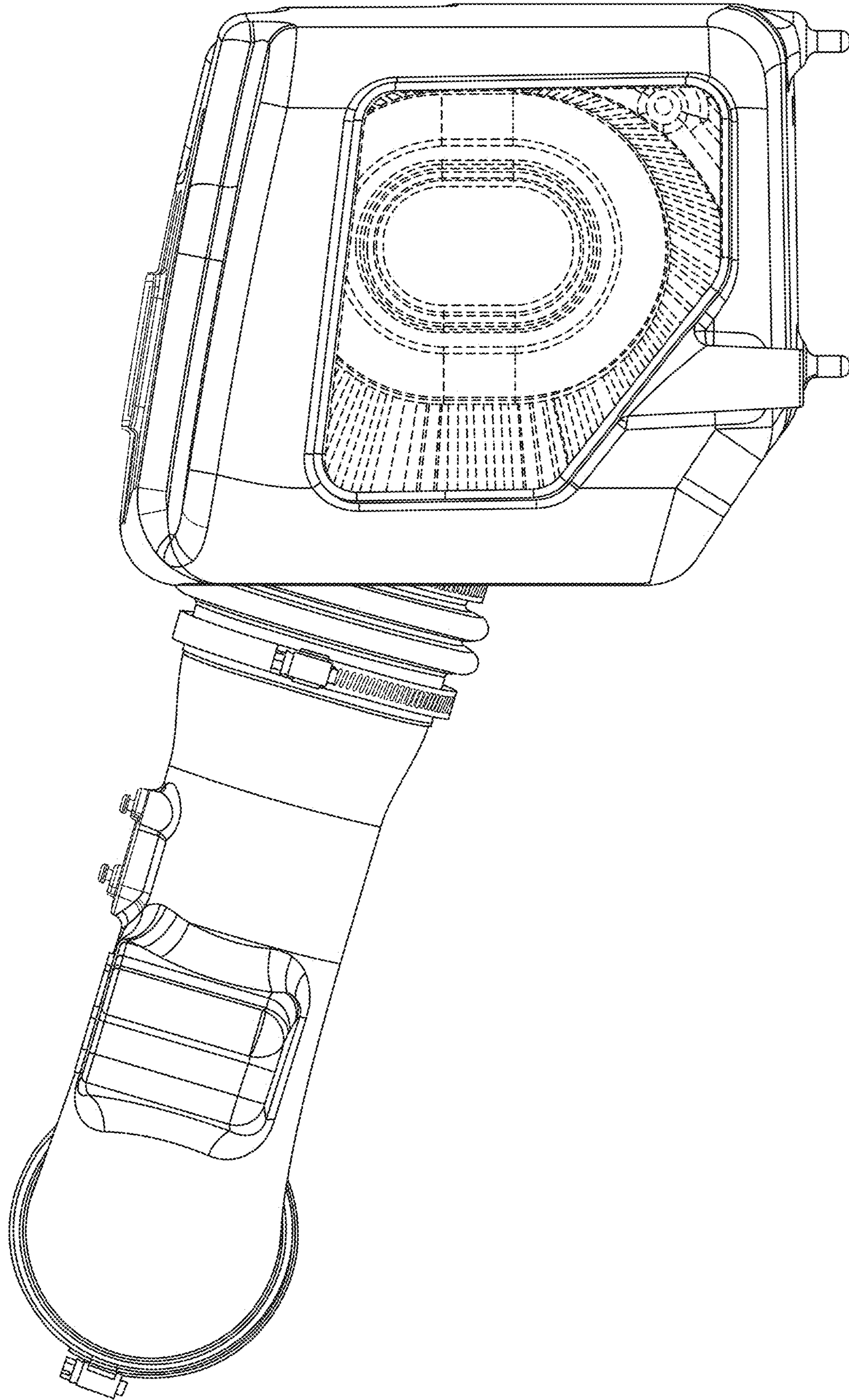


FIG. 5

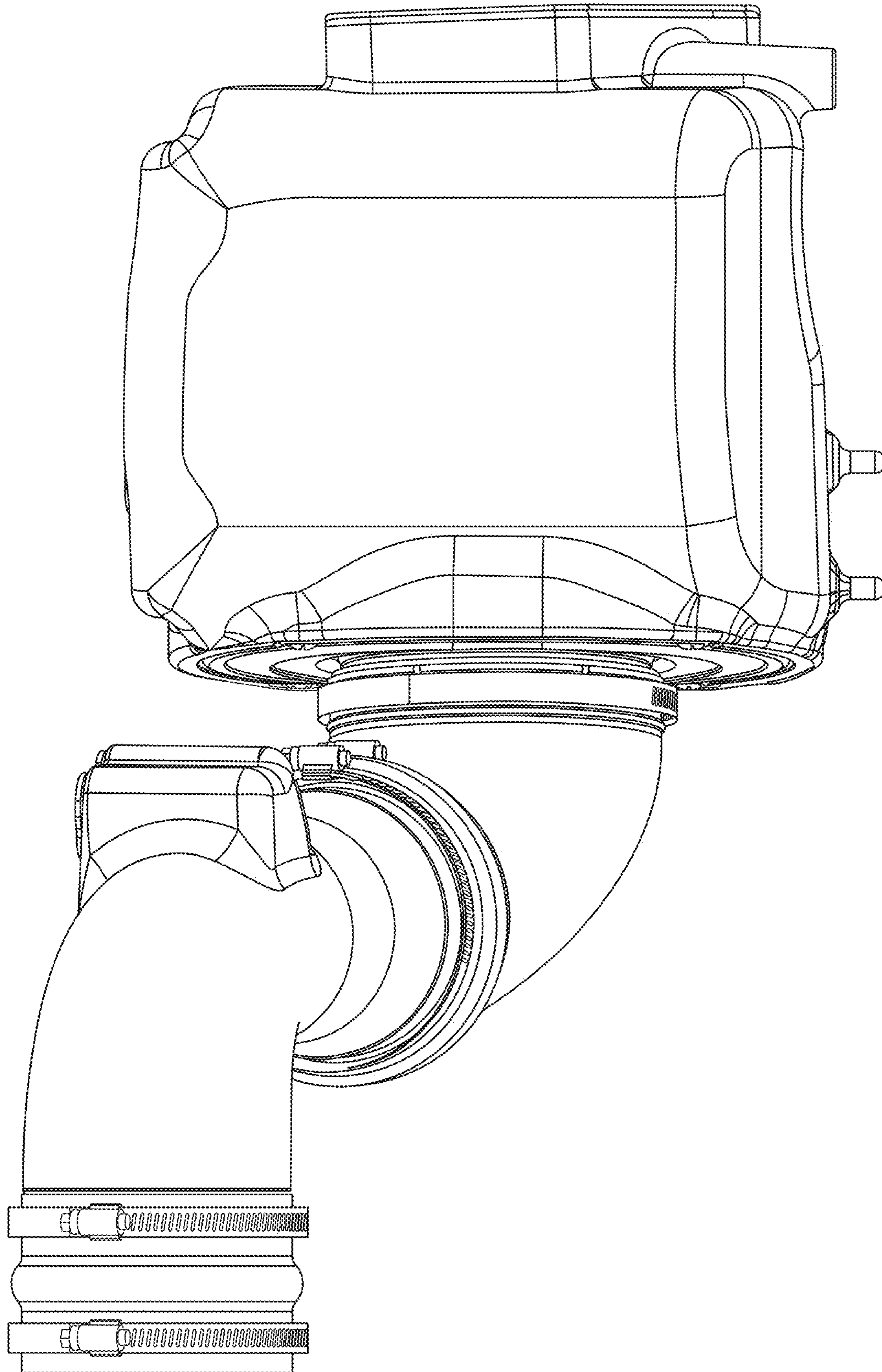


FIG. 6

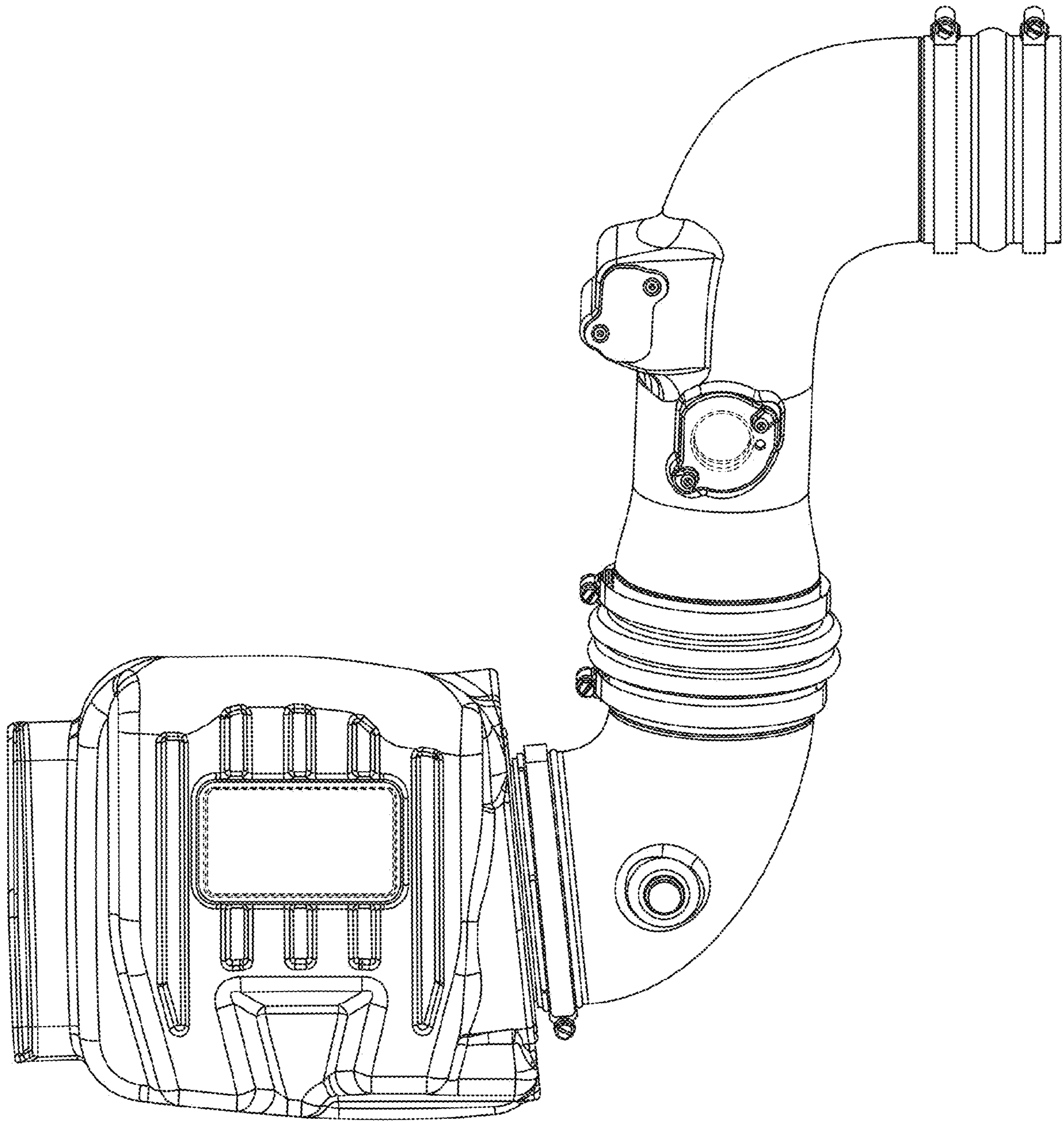


FIG. 7

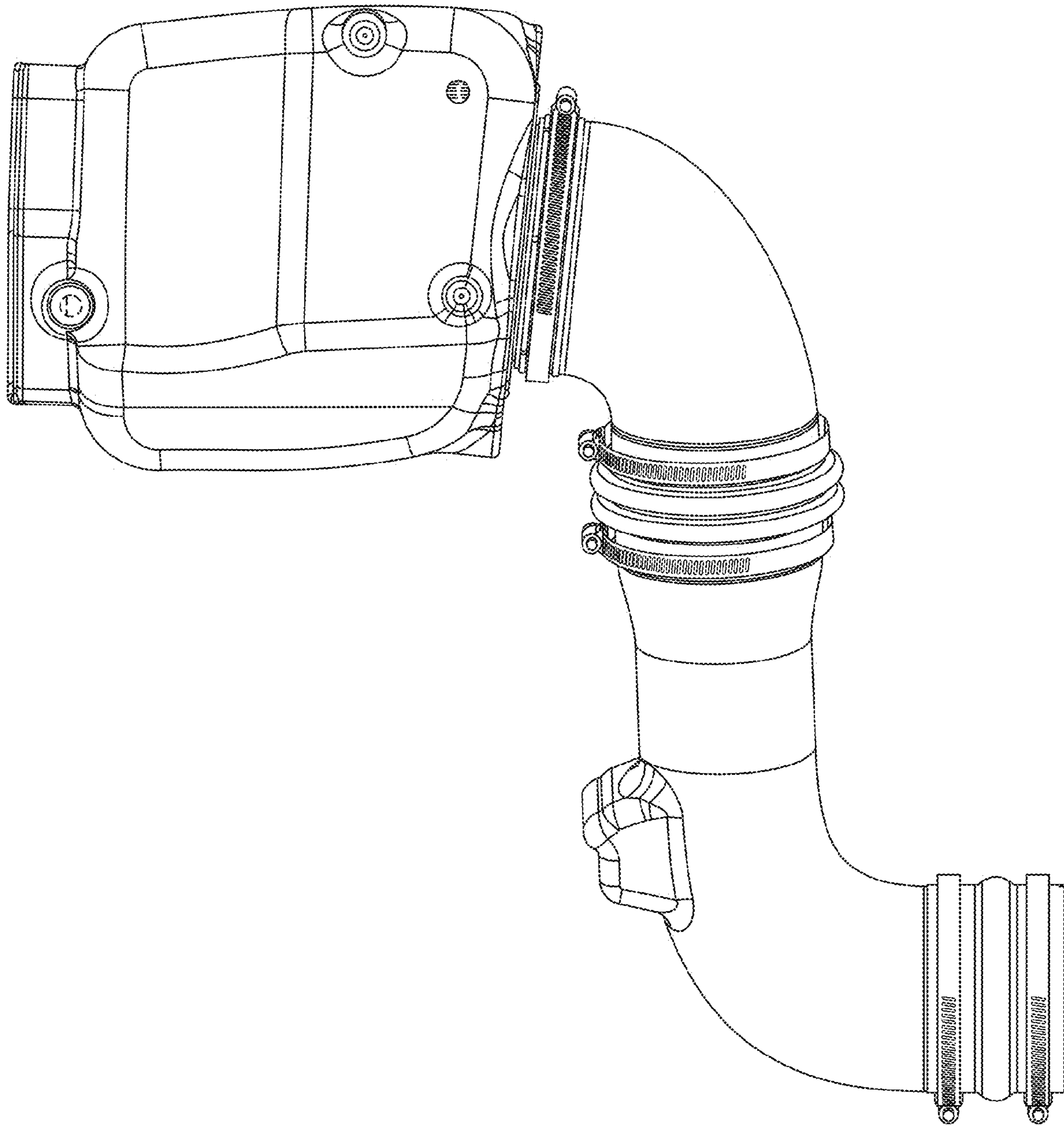


FIG. 8