



US00D886867S

(12) **United States Design Patent**  
**Niakan et al.**

(10) **Patent No.:** **US D886,867 S**  
(45) **Date of Patent:** **\*\* Jun. 9, 2020**

(54) **AIR INTAKE SYSTEM WITH A RIBBED AIRBOX**

(71) Applicant: **Advanced Flow Engineering, Inc.**,  
Corona, CA (US)

(72) Inventors: **Shahriar Nick Niakan**, Corona, CA  
(US); **George R. Chiang**, Corona, CA  
(US); **Christian Luc Landel**, Corona,  
CA (US)

(73) Assignee: **Advanced Flow Engineering, Inc.**,  
Corona, CA (US)

(\*\*) Term: **15 Years**

(21) Appl. No.: **29/656,476**

(22) Filed: **Jul. 12, 2018**

(51) **LOC (12) Cl.** ..... **15-01**

(52) **U.S. Cl.**  
USPC ..... **D15/5**

(58) **Field of Classification Search**  
USPC ..... D15/1-6  
See application file for complete search history.

(56) **References Cited**

**U.S. PATENT DOCUMENTS**

D749,134 S *	2/2016	Niakan	.....	D15/5
D754,208 S *	4/2016	Niakan	.....	D15/5
D762,247 S *	7/2016	Niakan	.....	D15/5
D762,735 S *	8/2016	Niakan	.....	D15/5
D762,736 S *	8/2016	Niakan	.....	D15/5
2005/0150483 A1 *	7/2005	Sorensen	.....	F02B 37/00 123/559.1
2006/0196462 A1 *	9/2006	Quezada	.....	F02M 35/10144 123/184.21
2008/0041328 A1 *	2/2008	Granatelli	.....	F02M 35/021 123/184.21

2011/0067574 A1 *	3/2011	Walz	.....	B01D 46/08 96/422
2012/0073539 A1 *	3/2012	Lee	.....	F02F 7/006 123/198 E
2012/0152632 A1 *	6/2012	Azuma	.....	F02M 35/162 180/68.3
2014/0116015 A1 *	5/2014	Niakan	.....	B01D 46/2411 55/495
2016/0176284 A1 *	6/2016	Nugteren	.....	B60K 13/04 180/309
2016/0289921 A1 *	10/2016	Liu	.....	E02F 3/76
2017/0284346 A1 *	10/2017	Kontani	.....	B62J 99/00
2018/0216584 A1 *	8/2018	Overgaard	.....	B60R 13/0838

\* cited by examiner

*Primary Examiner* — Ania Aman

(74) *Attorney, Agent, or Firm* — K. David Crockett, Esq.;  
Niky Economy Syrengelas, Esq.; Crockett & Crockett, PC

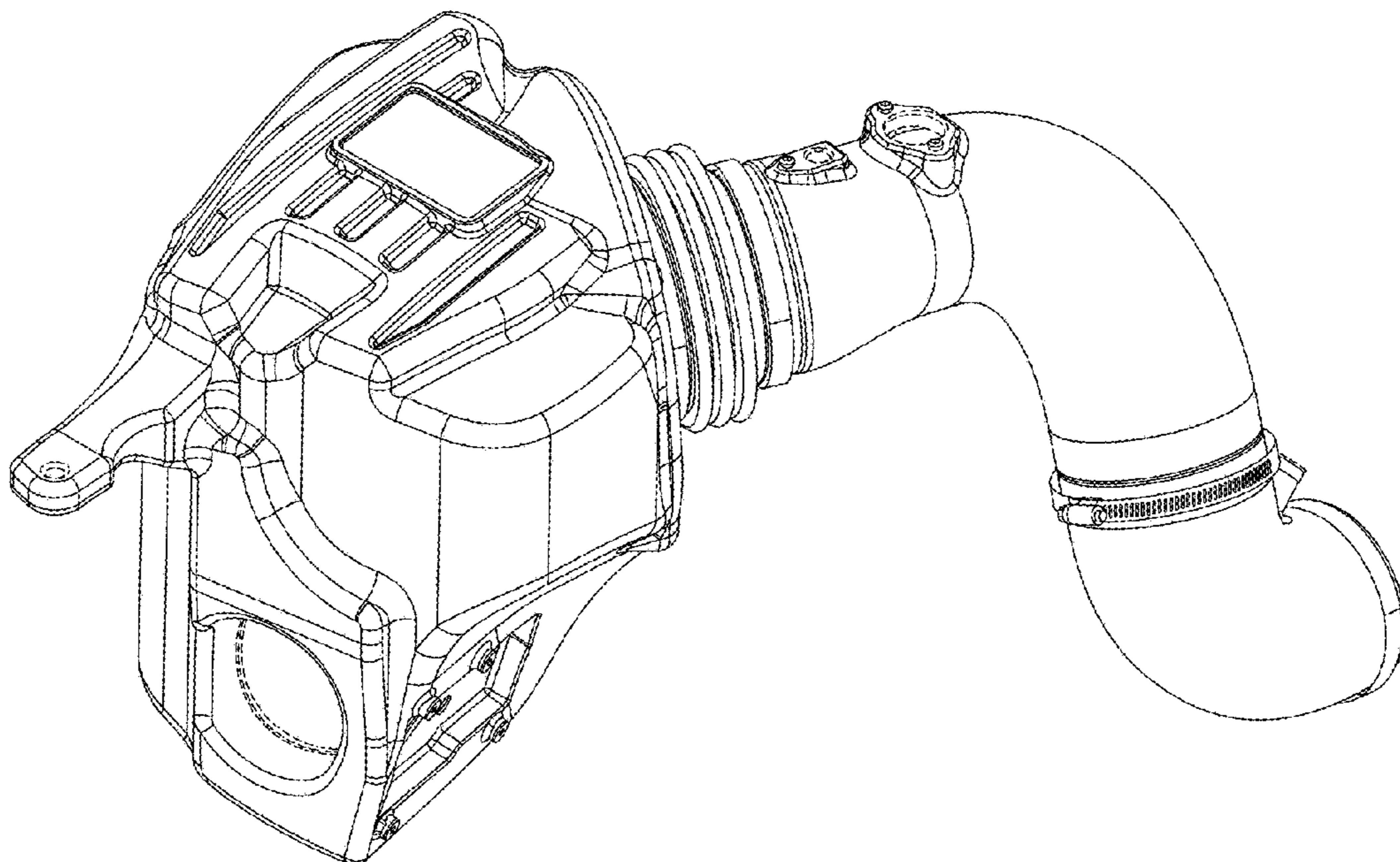
(57) **CLAIM**

The ornamental design for an air intake system with a ribbed airbox, as shown and described.

**DESCRIPTION**

FIG. 1 is a left-front perspective view of an air intake system with a ribbed airbox showing our new design.  
 FIG. 2 is a front elevation view thereof.  
 FIG. 3 is a left side elevation view thereof.  
 FIG. 4 cross-section view of the air intake system of FIG. 11 taken along 4-4.  
 FIG. 5 is a right side elevation view thereof.  
 FIG. 6 is a rear elevation view thereof.  
 FIG. 7 is a top plan view thereof; and,  
 FIG. 8 is a bottom plan view thereof.  
 Broken lines in the attached drawings are included for the purpose of illustrating portions of the air intake system with a ribbed airbox and form no part of the claimed design.

**1 Claim, 7 Drawing Sheets**



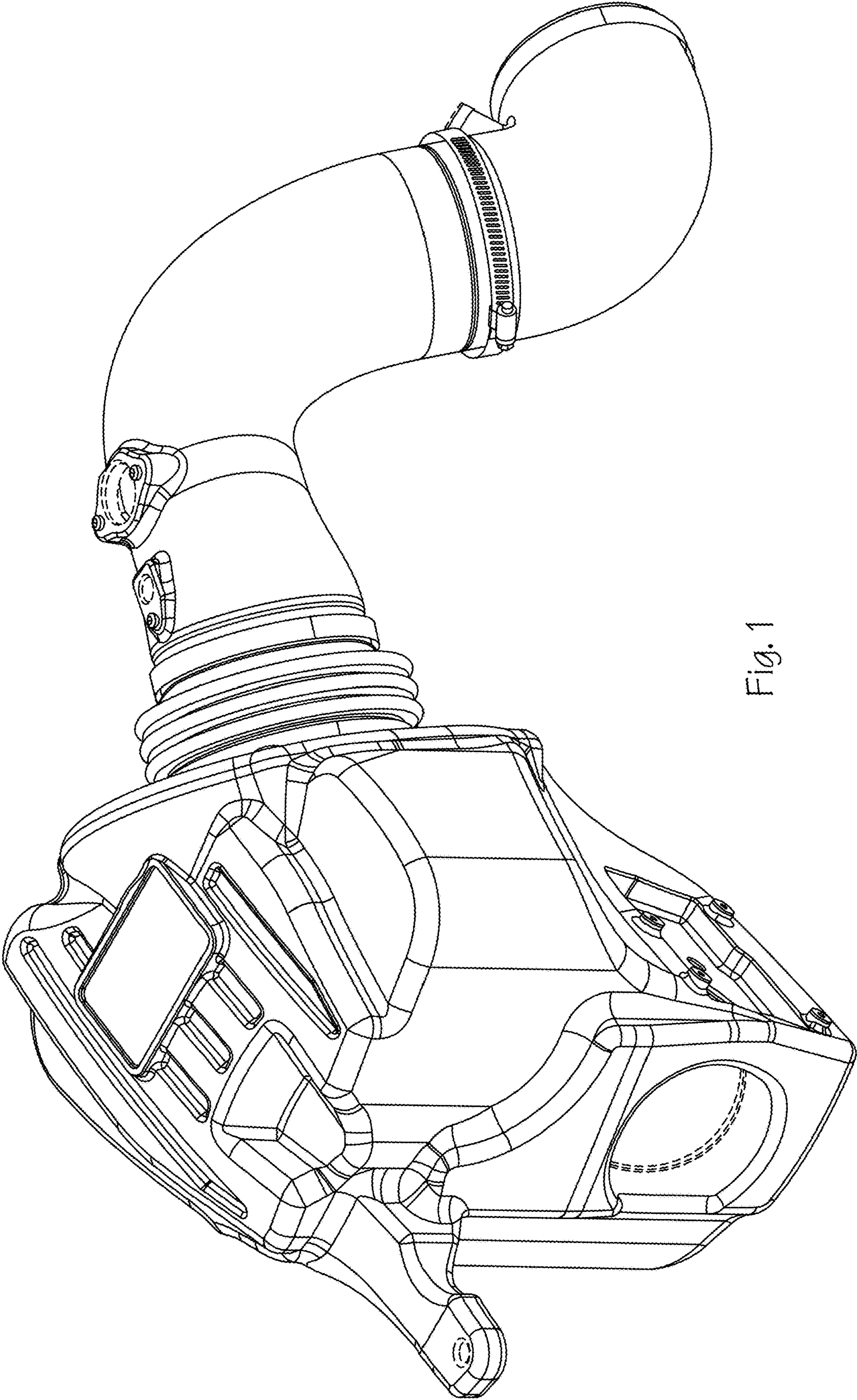


Fig. 1

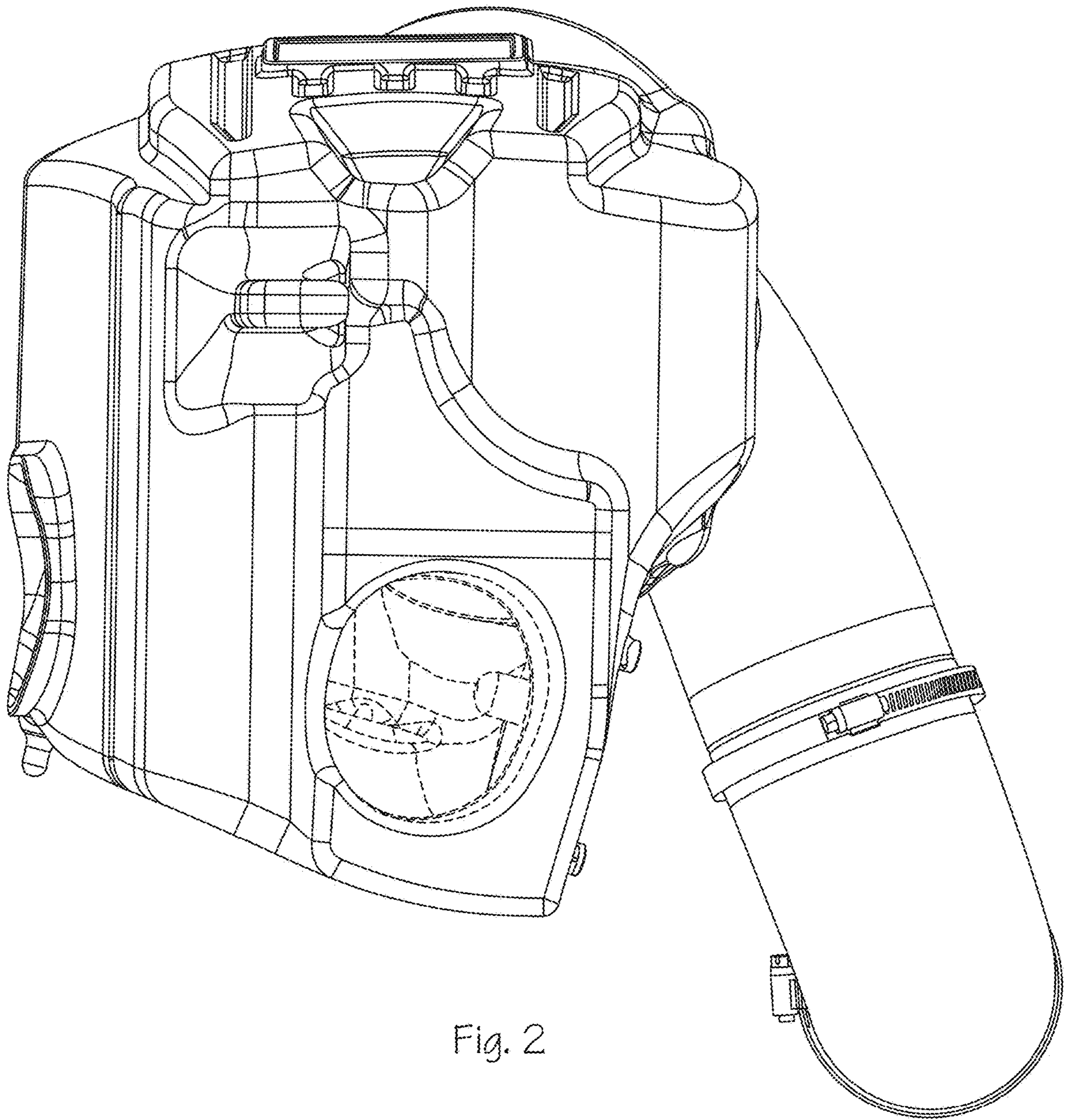
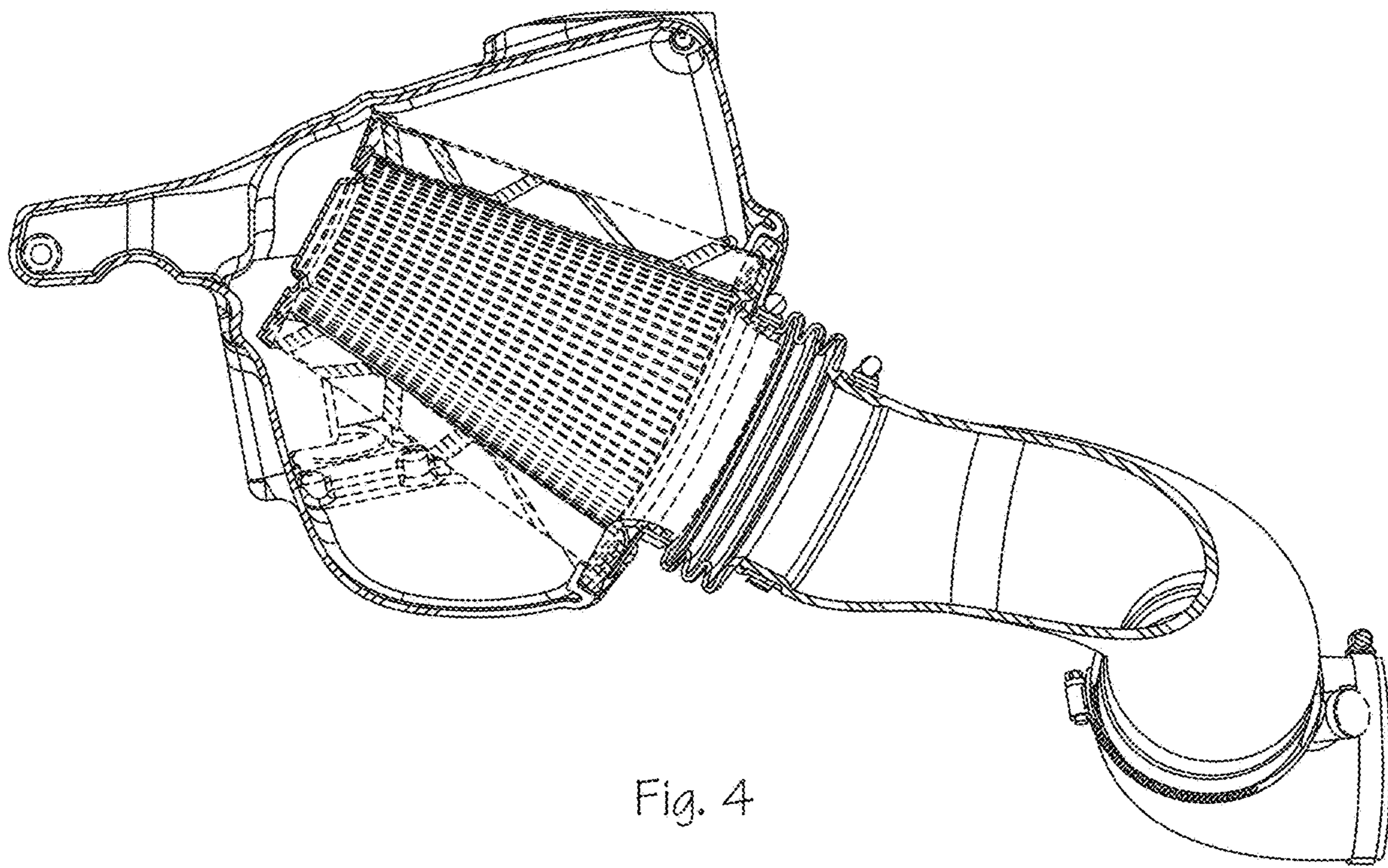
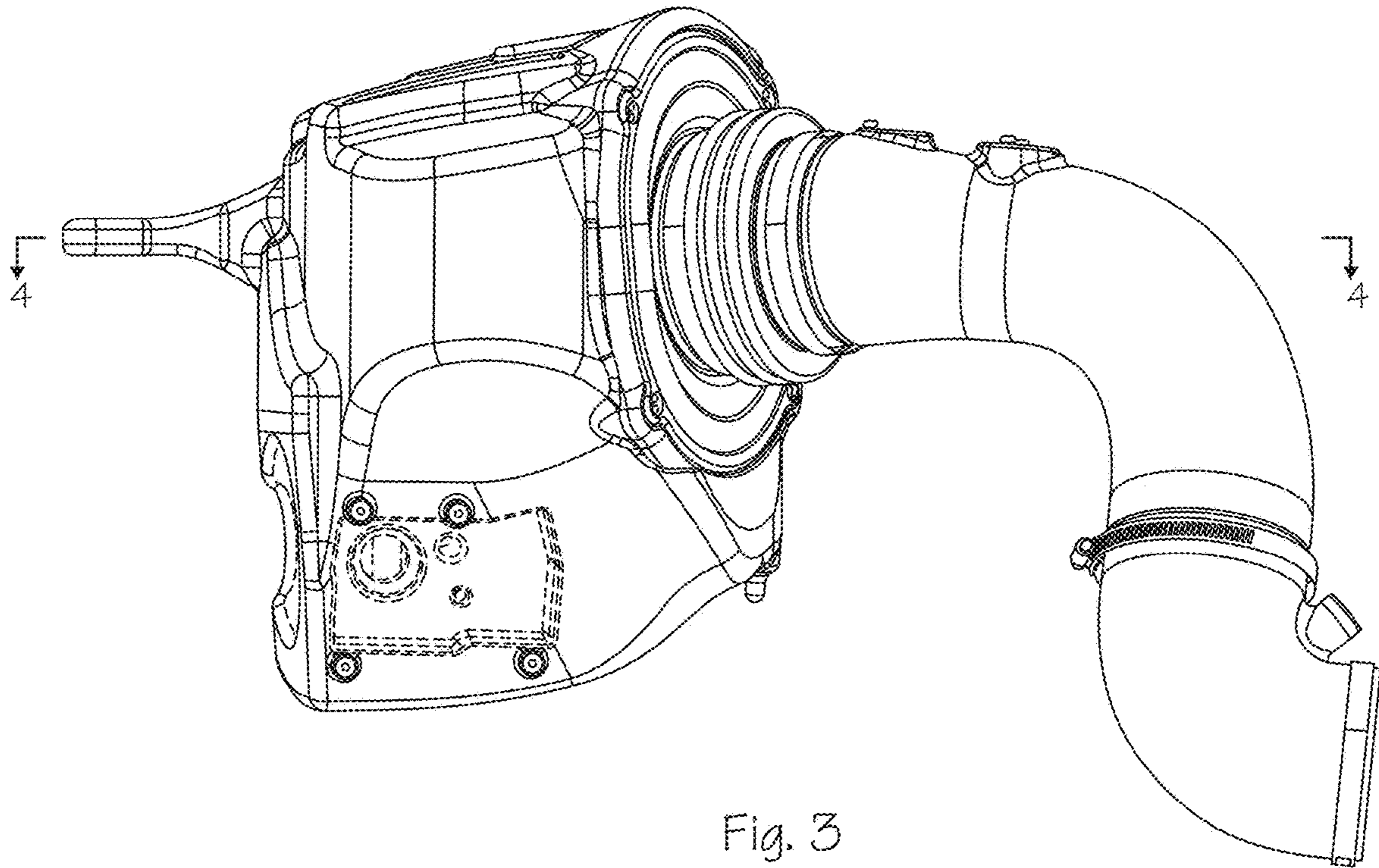


Fig. 2



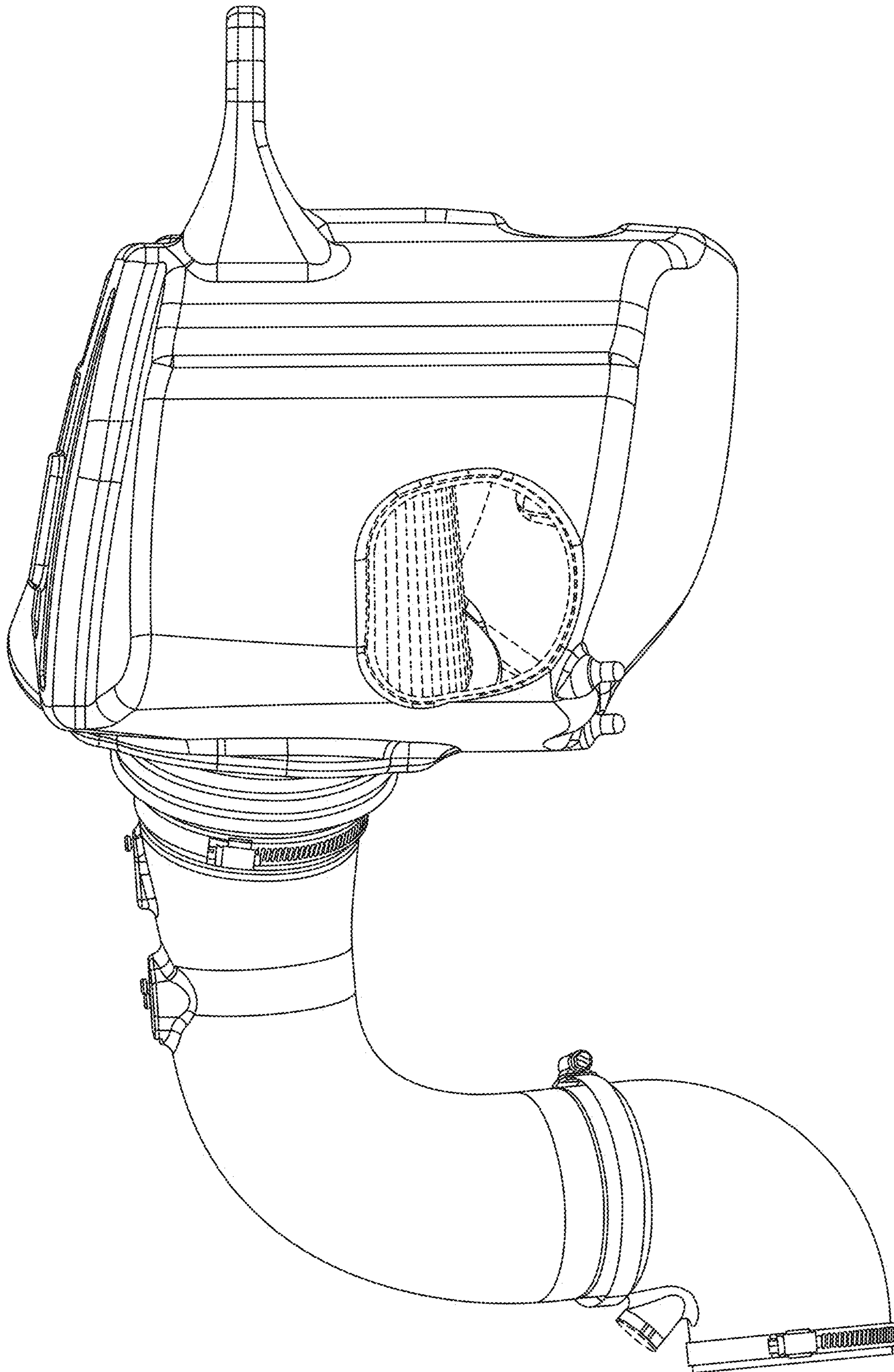


Fig. 5

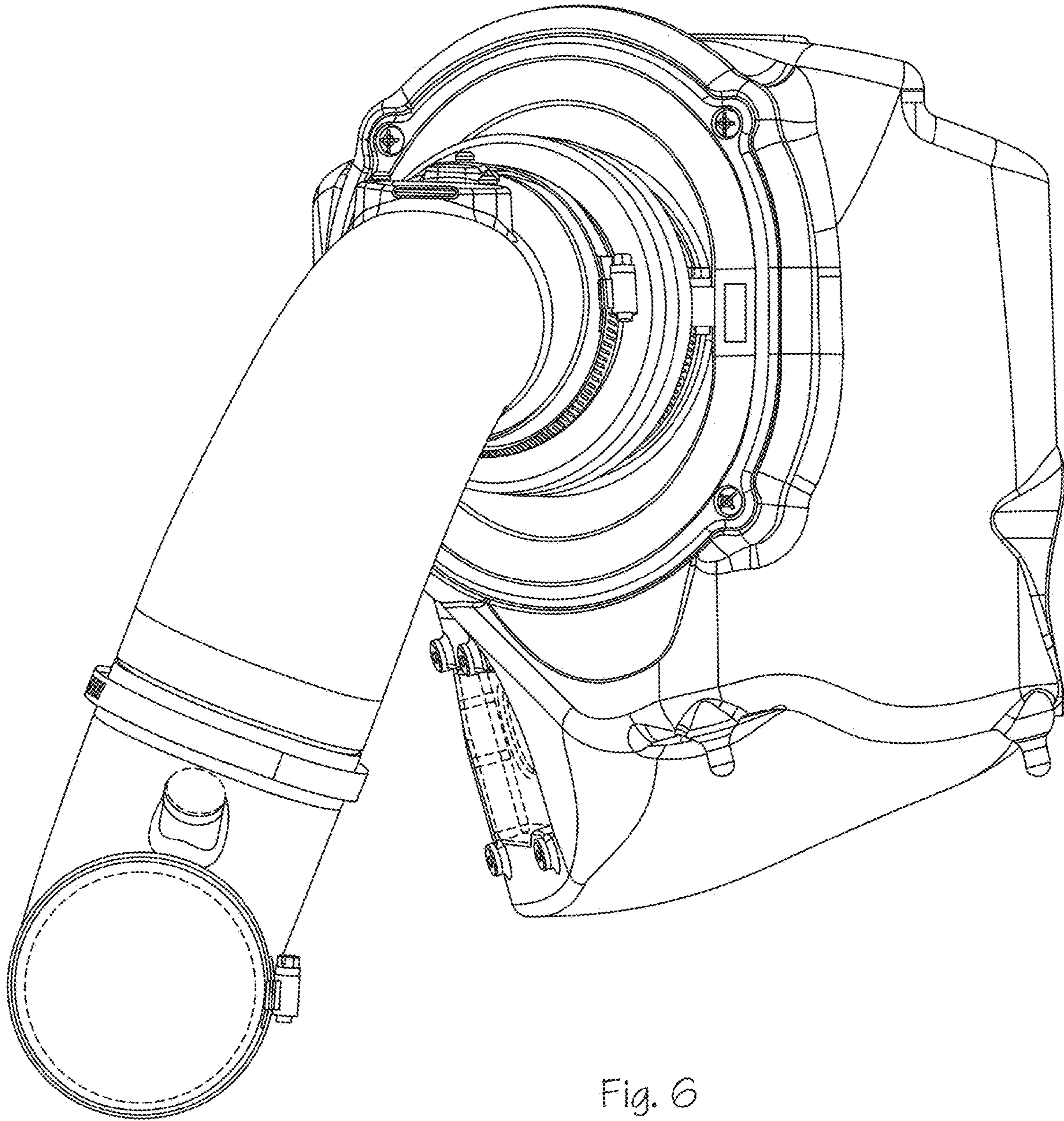


Fig. 6

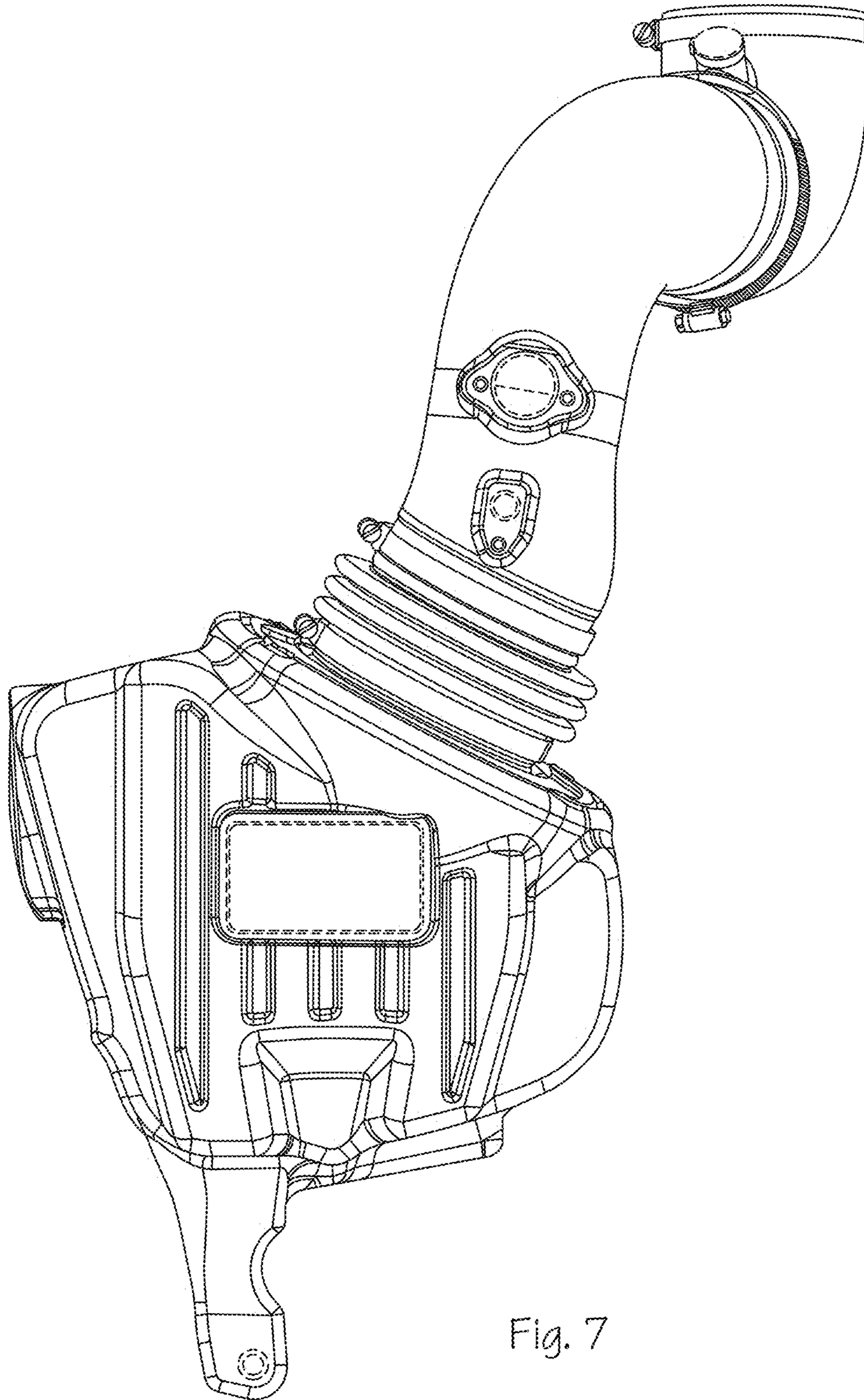


Fig. 7

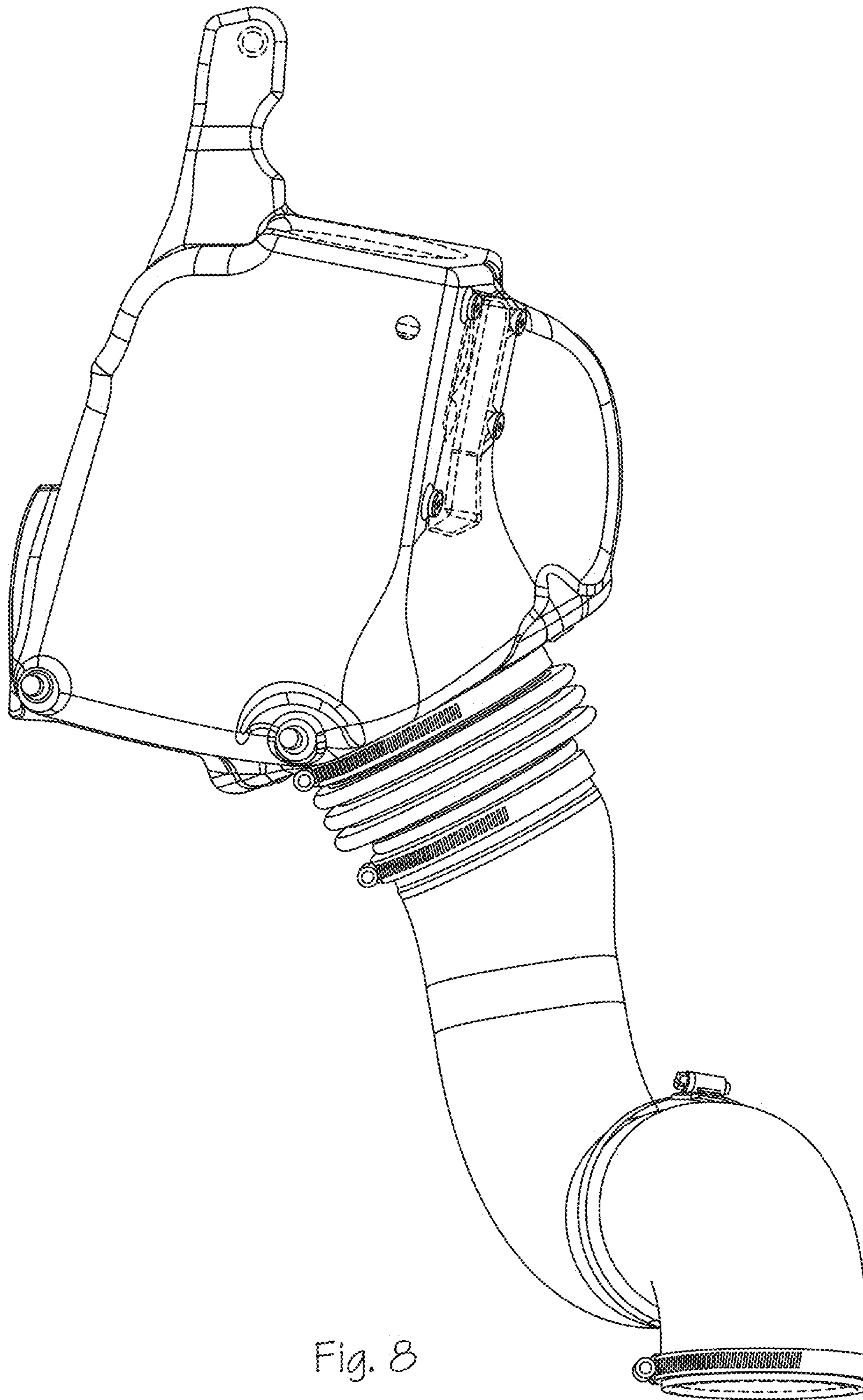


Fig. 8