



US00D886865S

(12) **United States Design Patent**
Bailey

(10) **Patent No.:** **US D886,865 S**

(45) **Date of Patent:** **** Jun. 9, 2020**

(54) **TROLLING MOTOR MOUNT**
(71) Applicant: **NAVICO HOLDING AS**, Egersund
(NO)

D542,745 S 5/2007 Barnes, Jr. et al.
D542,809 S 5/2007 Namiki et al.
D552,130 S * 10/2007 Steinberg D15/4
(Continued)

(72) Inventor: **Paul Bailey**, Auckland (NZ)
(73) Assignee: **NAVICO HOLDING AS**, Egersund
(NO)

FOREIGN PATENT DOCUMENTS

CA 2448778 A1 5/2004
CA 2700817 A1 10/2010
EP 2559616 A2 2/2013

(**) Term: **15 Years**

Primary Examiner — Ania Aman

(21) Appl. No.: **29/624,312**

(74) *Attorney, Agent, or Firm* — Nelson Mullins Riley & Scarborough LLP

(22) Filed: **Oct. 31, 2017**

(51) **LOC (12) Cl.** **15-01**

(57) **CLAIM**

(52) **U.S. Cl.**
USPC **D15/4**

The ornamental design for a trolling motor mount, as shown and described.

(58) **Field of Classification Search**
USPC D15/4, 72; D13/167, 164, 184
CPC B63H 20/007; B63H 20/02; B63H 21/21;
B63H 21/265; B63H 21/213; B63H 21/26
See application file for complete search history.

DESCRIPTION

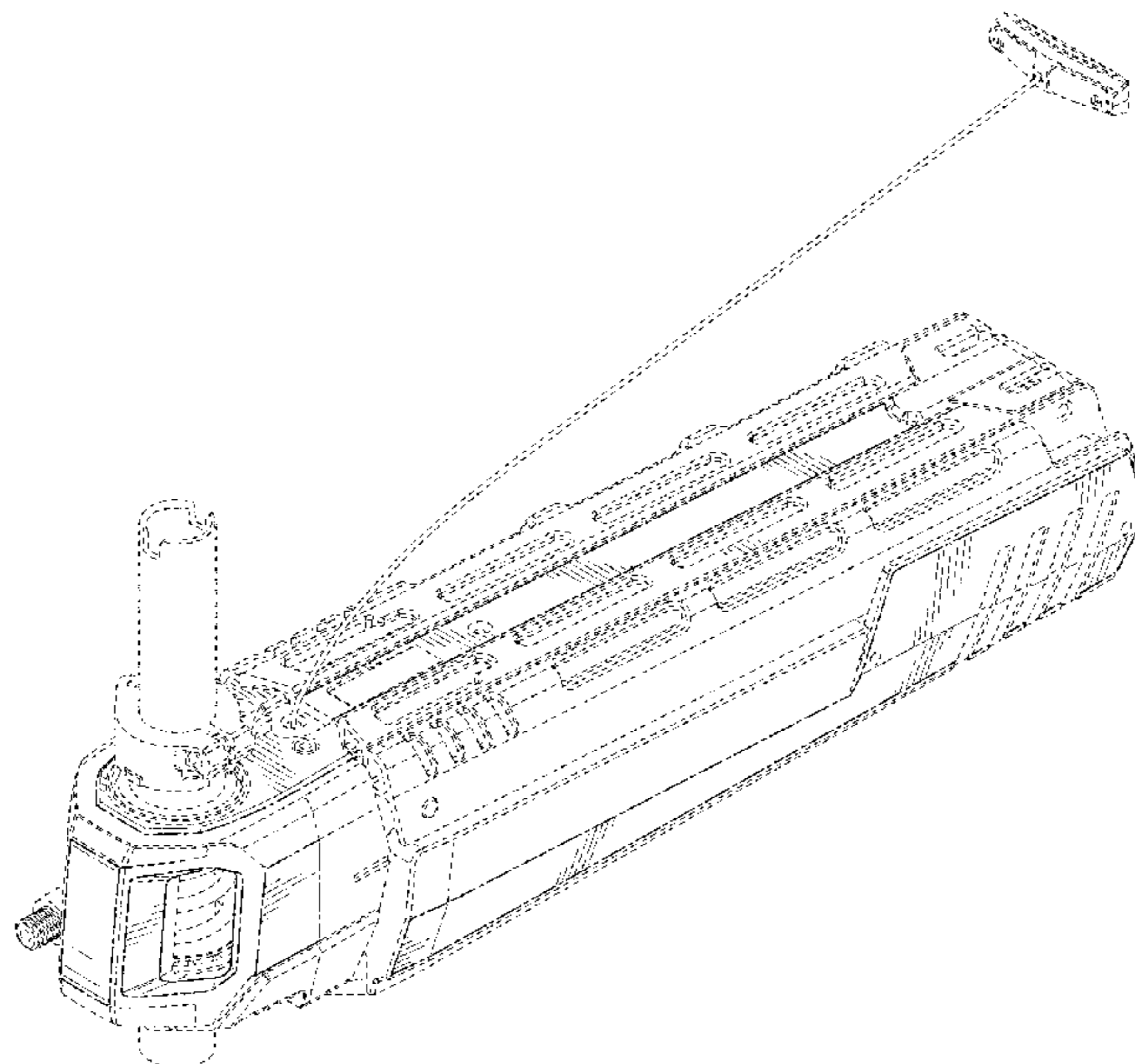
(56) **References Cited**

U.S. PATENT DOCUMENTS

3,598,947 A 8/1971 Osborn
3,602,181 A 8/1971 Harris
D276,811 S 12/1984 Wolfe
D304,947 S * 12/1989 Reynolds D15/4
D308,525 S 6/1990 Robbins
D312,259 S 11/1990 Robbins
D343,625 S * 1/1994 Walthall D15/4
D377,027 S 12/1996 Tyler et al.
D408,827 S 4/1999 Cook, III et al.
5,892,338 A 4/1999 Moore et al.
5,993,274 A * 11/1999 Rising B63H 5/165
440/53
D418,521 S 1/2000 Hansen
6,083,061 A * 7/2000 Sahounov B63H 16/20
440/26
D460,459 S 7/2002 Hansen
6,468,117 B1 10/2002 Healey

FIG. 1 is a front perspective view of a trolling motor mount showing my new design;
FIG. 2 is a front view of the trolling motor mount of FIG. 1;
FIG. 3 is a rear view of the trolling motor mount of FIG. 1;
FIG. 4 is a left side view of the trolling motor mount of FIG. 1;
FIG. 5 is a right side view of the trolling motor mount of FIG. 1;
FIG. 6 is a top view of the trolling motor mount of FIG. 1;
FIG. 7 is a bottom view of the trolling motor mount of FIG. 1; and,
FIG. 8 is a front perspective view of the trolling motor mount of FIG. 1 shown with a trolling motor head.
The broken dash-dot-dash lines immediately adjacent the shaded areas represent the bounds of the claimed design while all other broken lines illustrate environment that form no part of the claimed design.

1 Claim, 8 Drawing Sheets



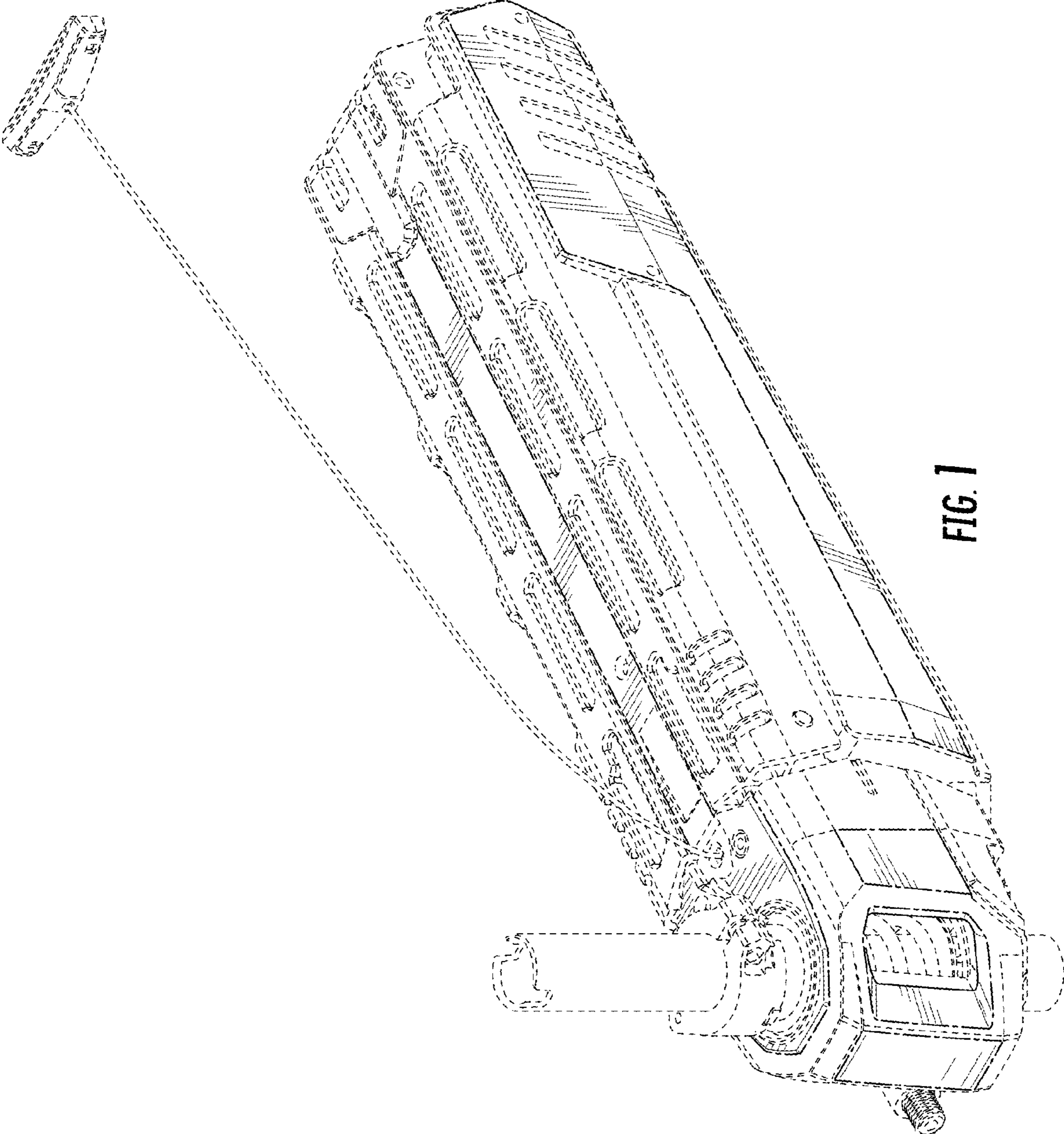
(56)

References Cited

U.S. PATENT DOCUMENTS

7,285,029 B1 * 10/2007 Janitz B63H 20/007
440/6
7,294,029 B1 * 11/2007 Spaulding B63H 20/007
440/53
D594,034 S * 6/2009 Bernloehr D15/5
D611,501 S * 3/2010 Vignau D15/5
D611,502 S * 3/2010 Vignau D15/5
D655,308 S * 3/2012 Steinberg D15/4
D806,752 S * 1/2018 Vaninetti D15/4
2019/0176950 A1 6/2019 Whiteside et al.
2019/0176953 A1 6/2019 Clark et al.
2019/0186592 A1 6/2019 Broughton et al.

* cited by examiner



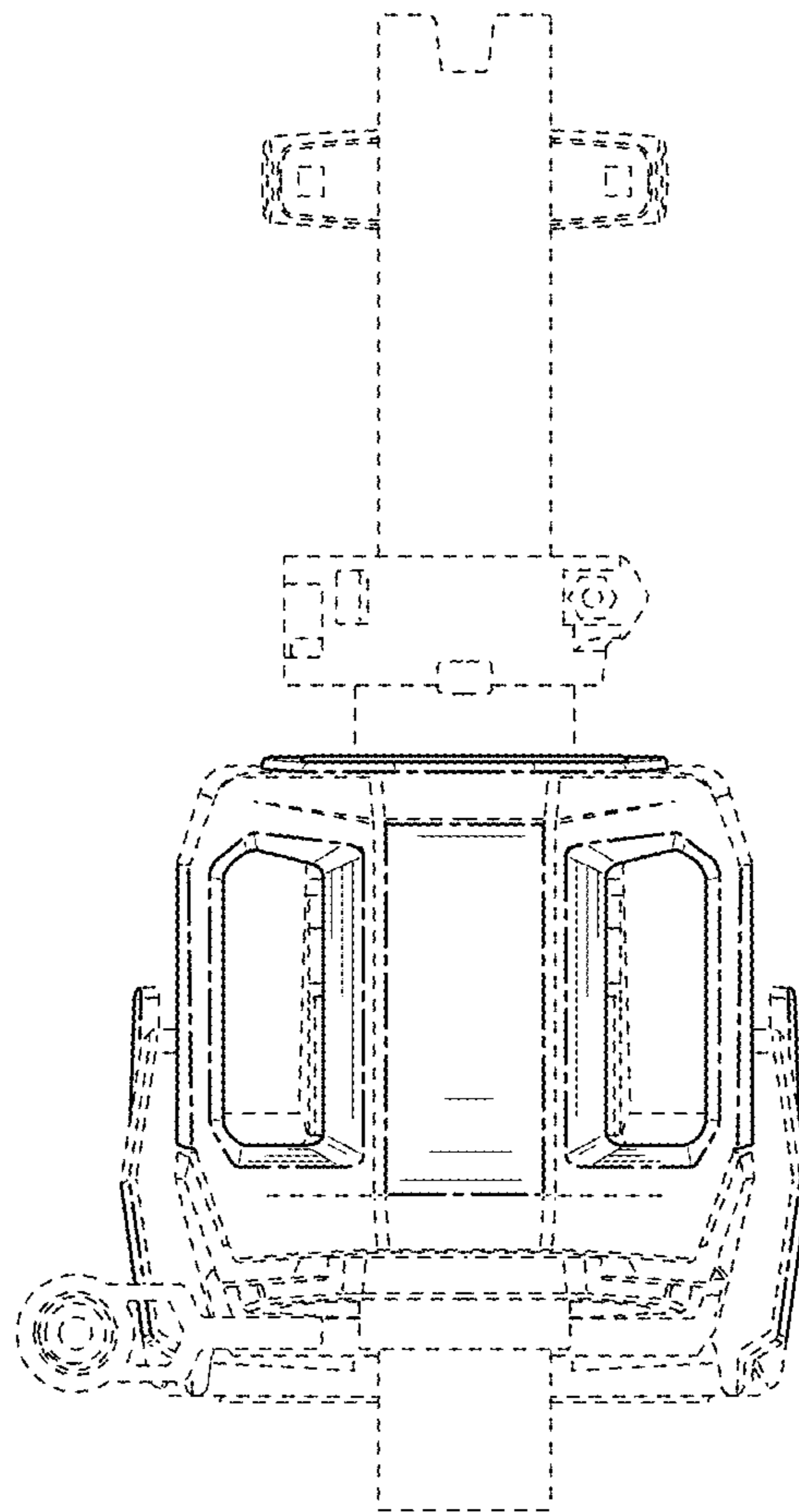


FIG. 2

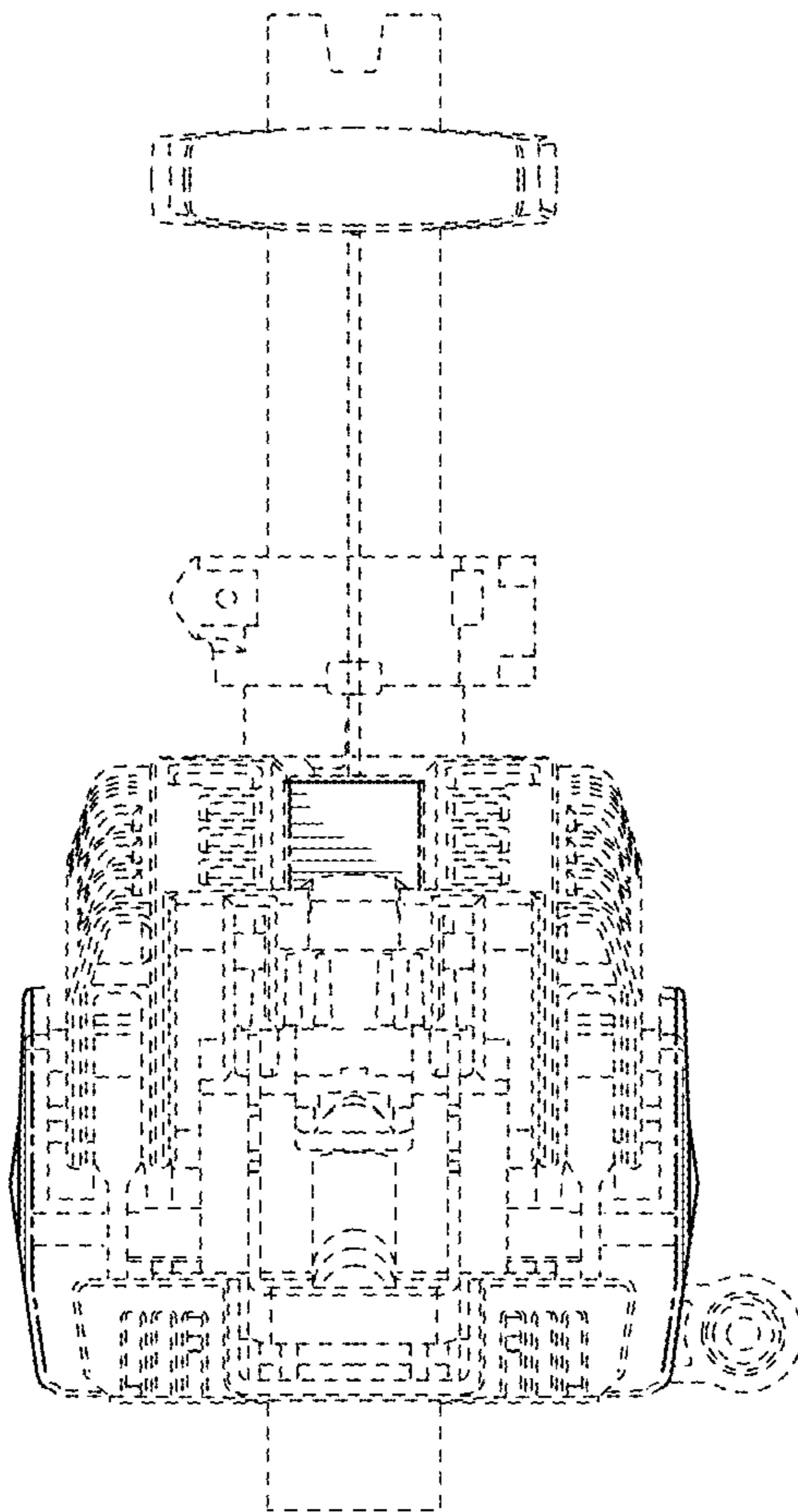


FIG. 3

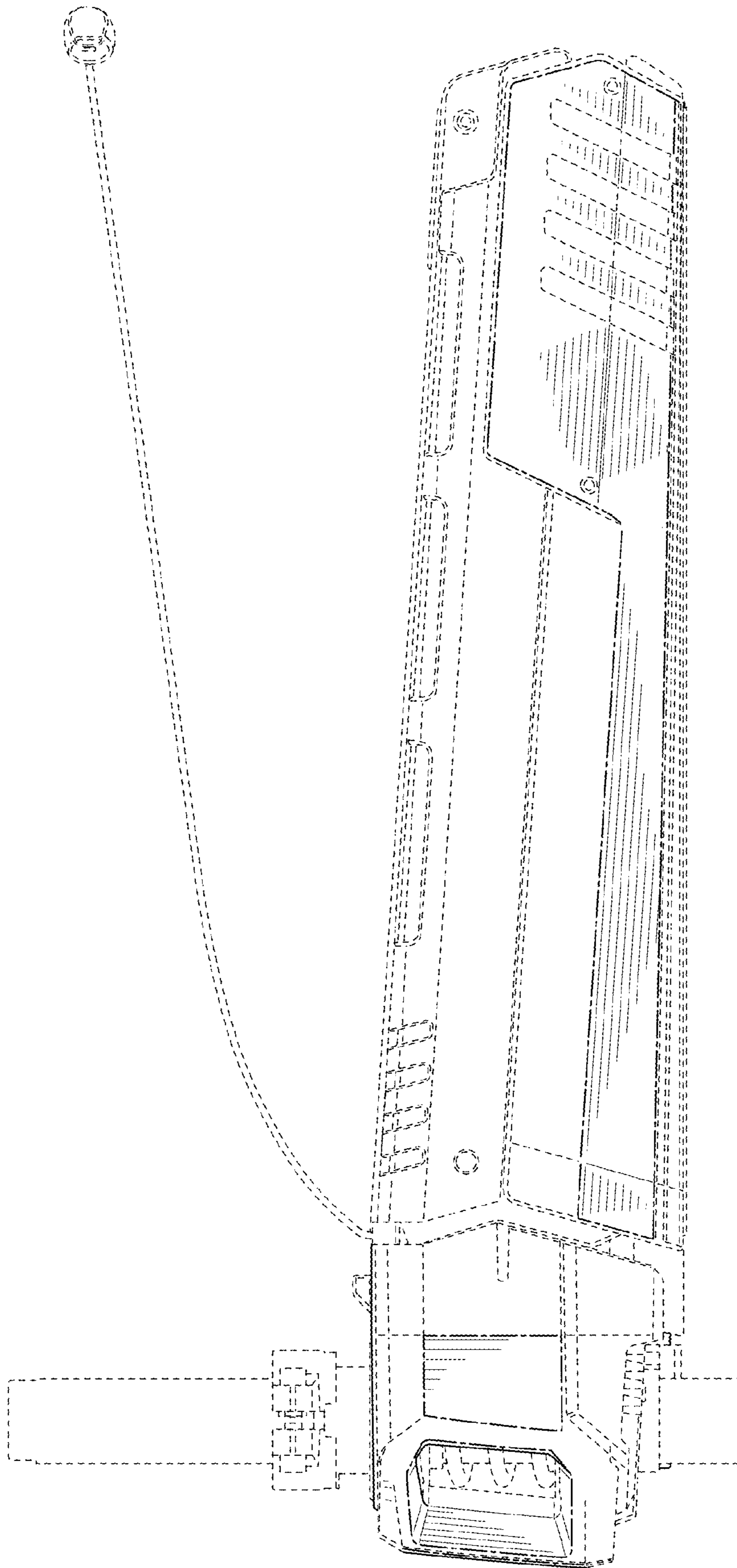


FIG. 4

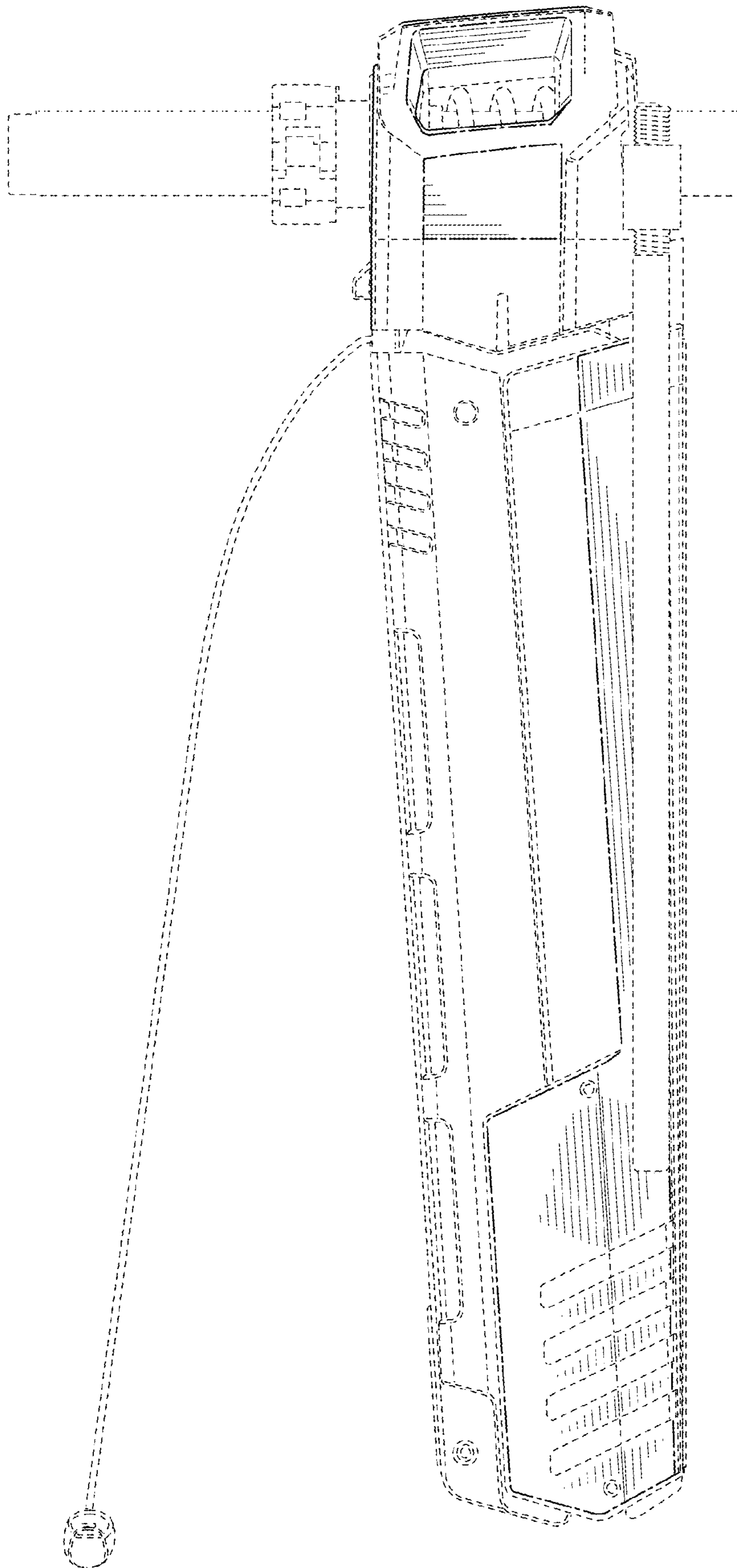


FIG. 5

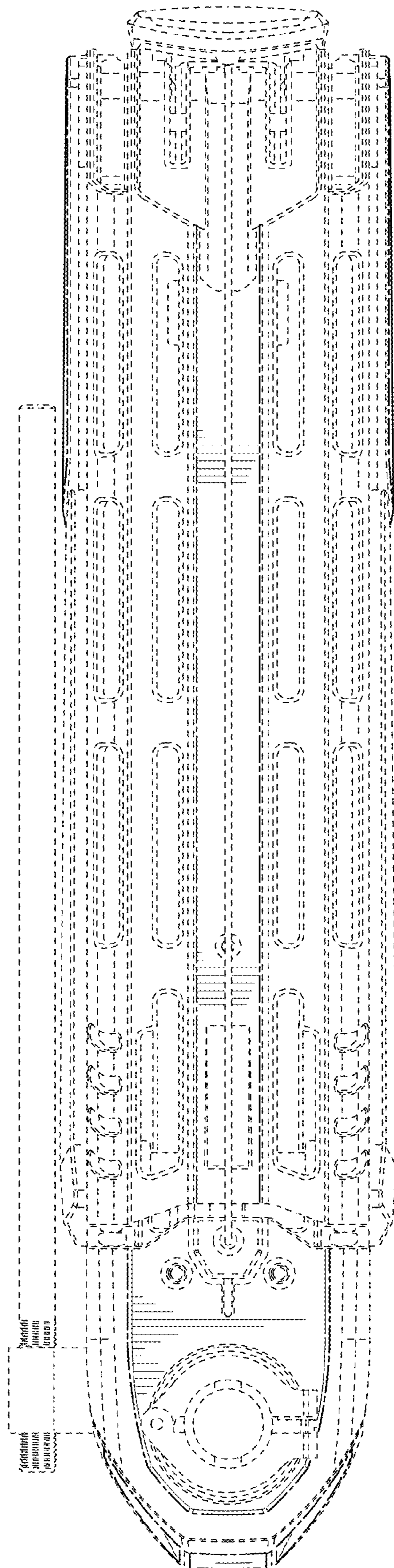


FIG. 6

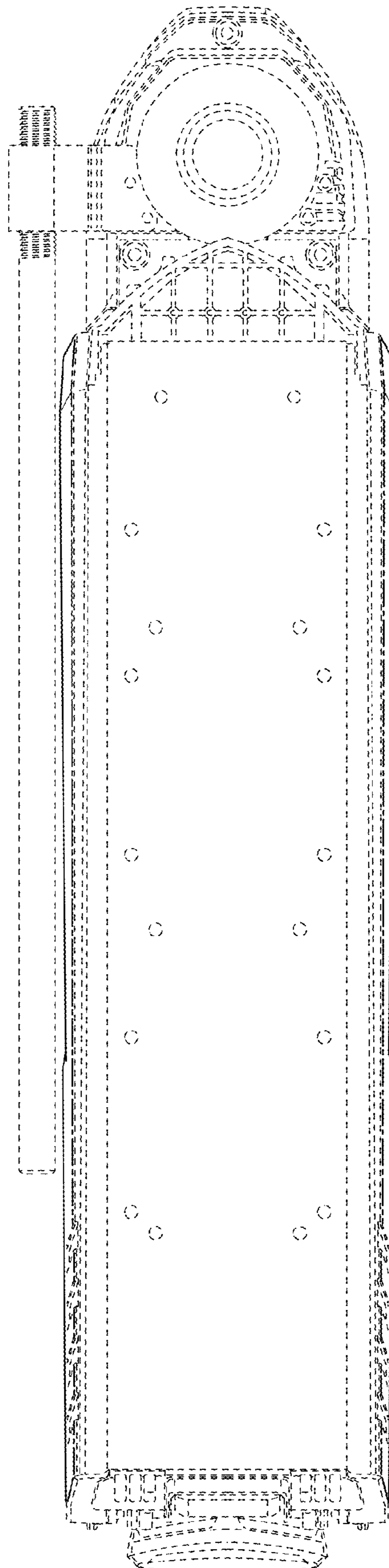


FIG. 7

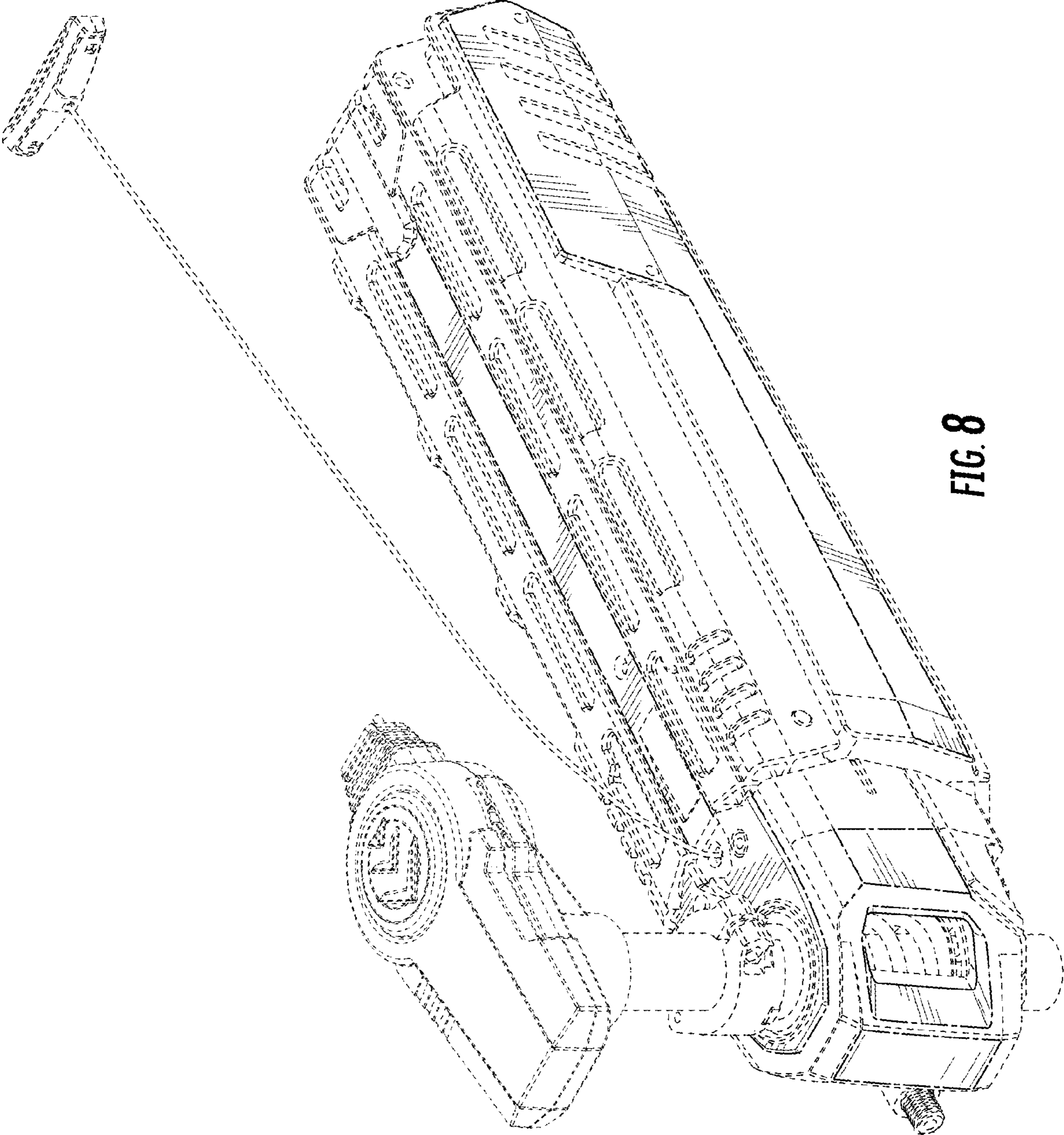


FIG. 8