



US00D886857S

(12) **United States Design Patent**
Everette

(10) **Patent No.:** **US D886,857 S**
(45) **Date of Patent:** **** Jun. 9, 2020**

(54) **DISPLAY SCREEN OR PORTION THEREOF WITH ANIMATED GRAPHICAL USER INTERFACE**

(71) Applicant: **Vast.com, Inc.**, Austin, TX (US)

(72) Inventor: **Neil Wade Everette**, Austin, TX (US)

(73) Assignee: **VAST.COM**, Austin, TX (US)

(**) Term: **15 Years**

(21) Appl. No.: **29/663,552**

(22) Filed: **Sep. 17, 2018**

(51) **LOC (12) Cl.** **14-04**

(52) **U.S. Cl.**
USPC **D14/489**

(58) **Field of Classification Search**

USPC D14/485-495; 345/1.1, 1.2, 2.1-2.3, 3.1, 345/902; 715/763, 810, 836, 837, 846, 715/847, 977

CPC G06F 3/048; G06F 3/0481; G06F 3/04812; G06F 3/04817; G06F 3/0482; G06F 3/0483; G06F 3/0484; G06F 3/04847; G06F 3/0485; G06F 3/04855; G06F 3/04886; G06Q 30/00; H03J 1/00; H03J 1/0008; H03J 1/0016; H03J 1/0025; H04N 5/00; H04N 5/08; H04N 5/14; H04N 5/222; H04N 5/225; H04N 5/232; H04N 5/445; H04N 5/44543; H04N 5/45; H04N 2005/44517; H04N 2005/44521; H04N 2005/44526; H04N 2005/4453; H04N

(Continued)

(56) **References Cited**

U.S. PATENT DOCUMENTS

D687,057 S * 7/2013 Plitkins D14/488
D701,869 S * 4/2014 Matas D14/486

(Continued)

OTHER PUBLICATIONS

“Preloader Inspiration Ver.3.” dribbble.com. Nov. 17, 2019. Accessed Jan. 29, 2020. Available online at URL: <https://dribbble.com/shots/8272447-Preloader-inspiration-Ver-3> (Year: 2019).*

(Continued)

Primary Examiner — Cathron C Brooks

Assistant Examiner — Christian P. McLean

(74) *Attorney, Agent, or Firm* — Kent B. Chambers; Terrile, Cannatti & Chambers, LLP

(57) **CLAIM**

I claim the ornamental design for a display screen or portion thereof with animated graphical user interface, as shown and described.

DESCRIPTION

FIG. 1 is a front view of a display screen or portion thereof with an animated graphical user interface showing a first image of the claimed design.

FIG. 2 is a second image thereof.

FIG. 3 is a third image thereof.

FIG. 4 is a fourth image thereof.

FIG. 5 is a fifth image thereof.

FIG. 6 is a sixth image thereof.

FIG. 7 is a seventh image thereof.

FIG. 8 is an eighth image thereof.

FIG. 9 is a ninth image thereof.

FIG. 10 is a tenth image thereof.

FIG. 11 is a eleventh image thereof.

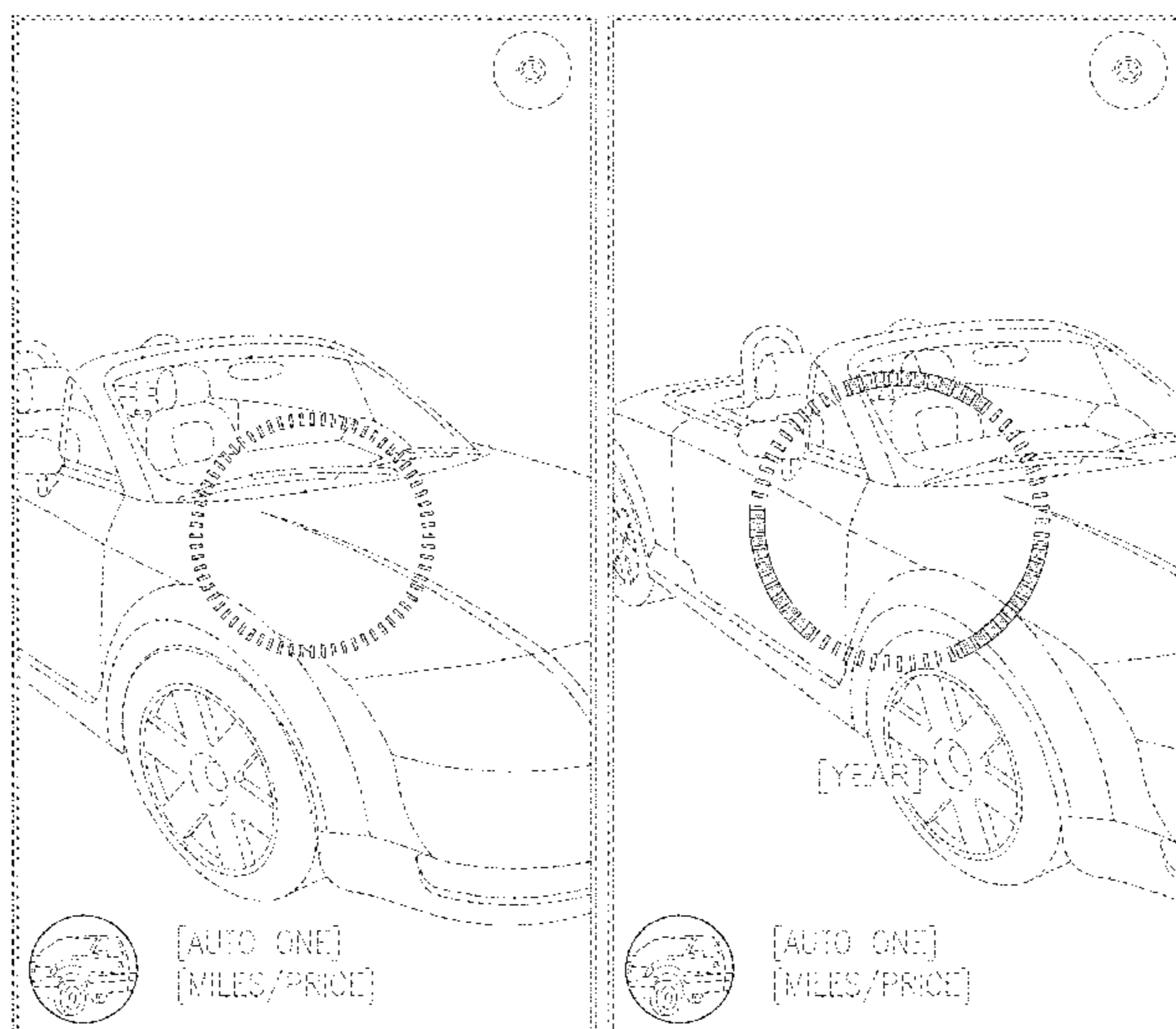
FIG. 12 is a twelfth image thereof.

FIG. 13 is a thirteenth image thereof; and,

FIG. 14 is a fourteenth image thereof.

The shading forms part of the claimed design. The outermost broken lines illustrate a display screen or portion thereof and form no part of the claimed design. The remaining broken lines illustrate portions of the graphical user interface that form no part of the claimed design.

1 Claim, 14 Drawing Sheets



(58) **Field of Classification Search**

CPC 2005/44534; H04N 2005/44539; H04N
 2005/44547; H04N 2005/44556; H04N
 2005/4456; H04N 2005/44565; H04N
 2005/44569; H04N 2005/44573; H04N
 21/00; H04N 21/234; H04N 21/431;
 H04N 21/4312; H04N 21/4314; H04N
 21/4316

See application file for complete search history.

D765,100 S * 8/2016 Kim D14/485
 D789,974 S * 6/2017 Guo D14/487
 D807,905 S * 1/2018 Broughton D14/486
 D825,587 S * 8/2018 O'Rourke D14/485
 D830,858 S * 10/2018 Rogers D10/41
 D855,646 S * 8/2019 Hohne D14/487
 D860,251 S * 9/2019 Chaudhri D14/489
 D861,019 S * 9/2019 Chaudhri D14/486
 D861,020 S * 9/2019 Chaudhri D14/486
 D868,812 S * 12/2019 Schwer D14/486
 2016/0357282 A1 * 12/2016 Block G06F 40/166
 2018/0181365 A1 * 6/2018 Winton G06F 3/04847

(56) **References Cited**

U.S. PATENT DOCUMENTS

D751,574 S * 3/2016 Forsblom D14/485
 D753,678 S * 4/2016 Clarke D14/485
 D755,240 S * 5/2016 Cavander G06F 3/04817
 D14/494
 D760,283 S * 6/2016 Horiuchi D14/489
 D761,864 S * 7/2016 Kim D14/492
 D763,865 S * 8/2016 Zhu D14/485

OTHER PUBLICATIONS

Wang, Shenxun. "Reliastic Light Control Button_Day037." dribbble.
 com. Apr. 4, 2019. Accessed Jan. 29, 2020. Available online at URL:
[https://dribbble.com/shots/6288740-Realistic-Light-Control-Button-
 Day037](https://dribbble.com/shots/6288740-Realistic-Light-Control-Button-Day037) (Year: 2019).*

* cited by examiner

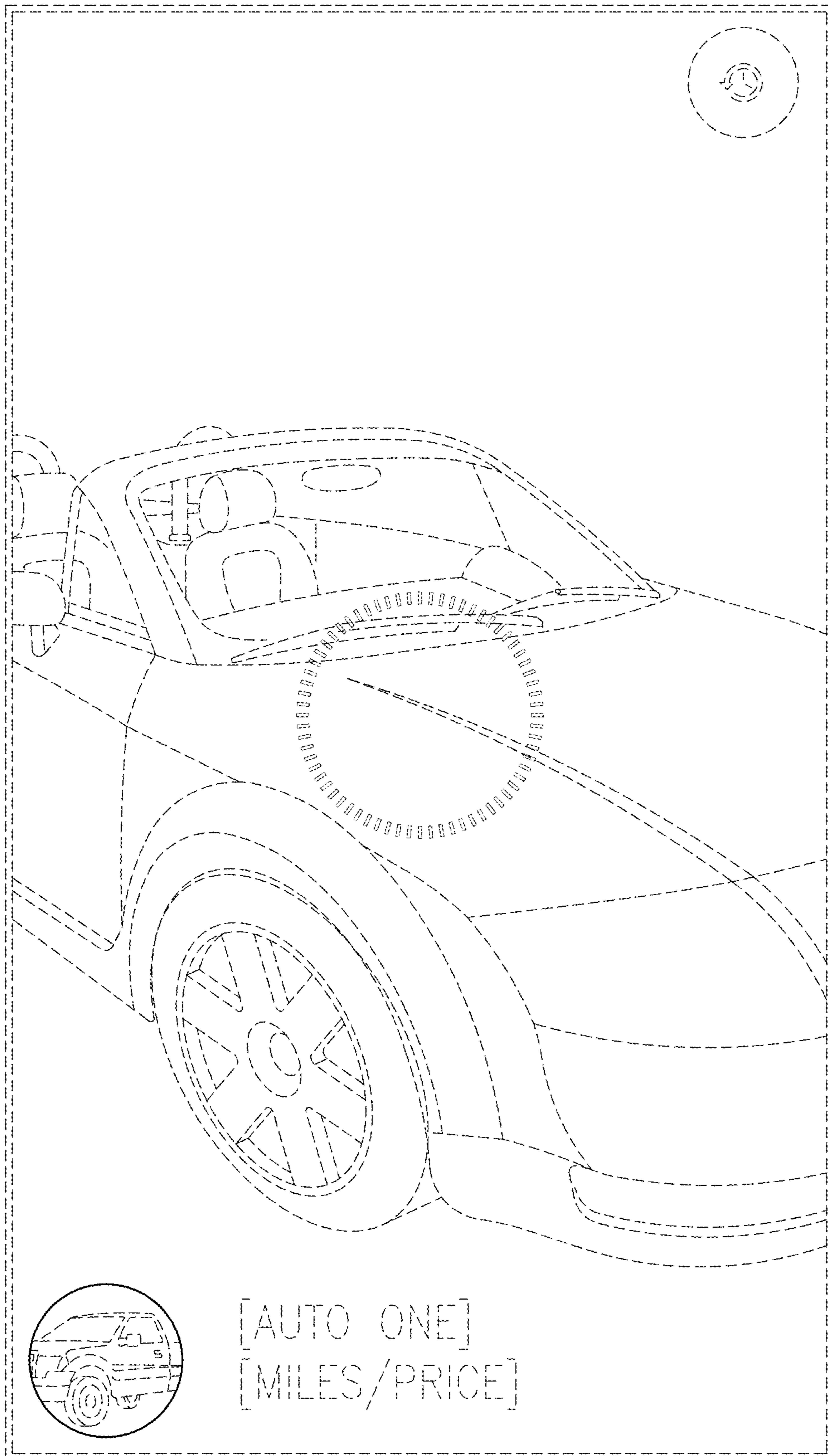


FIG. 1

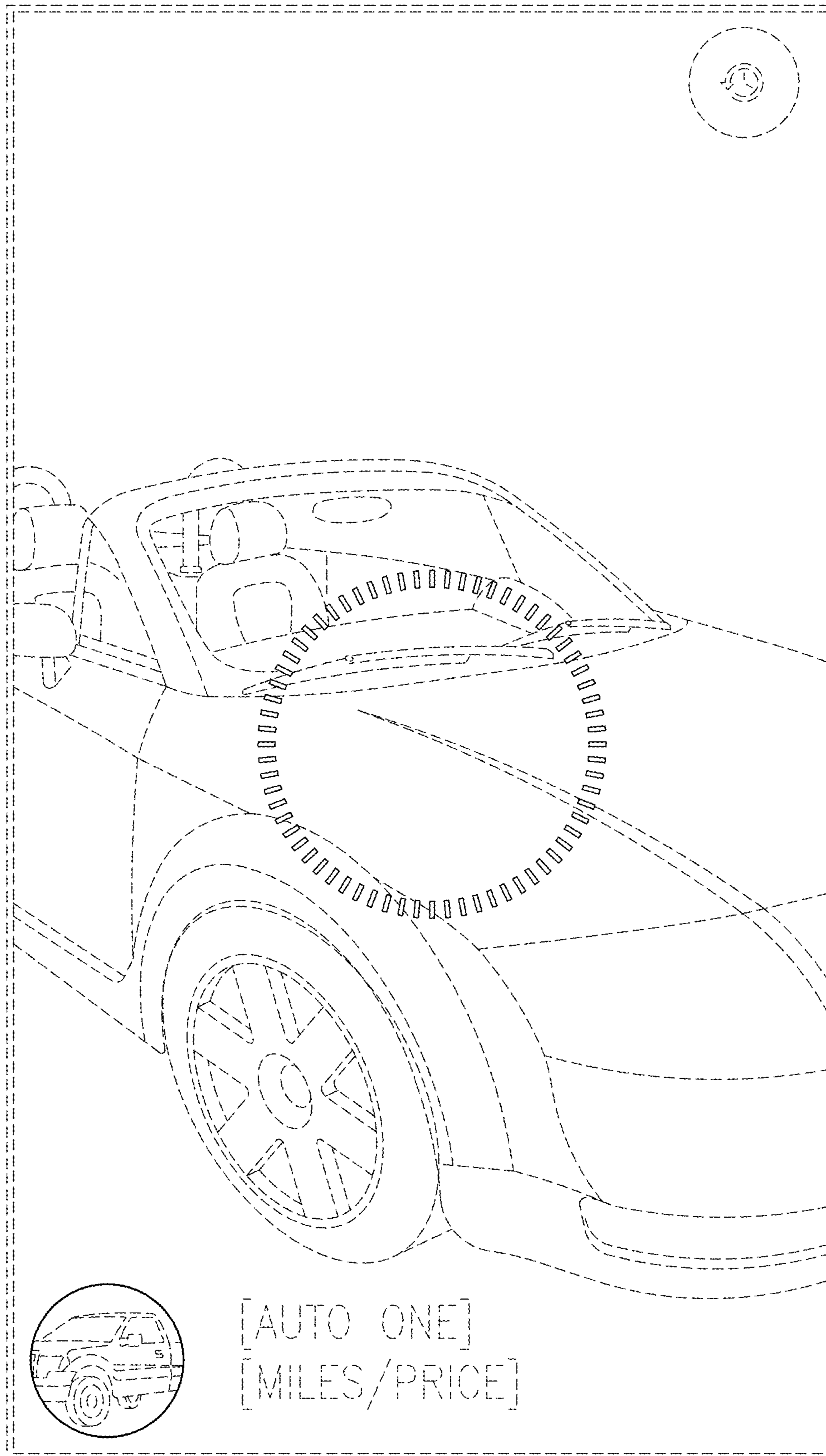


FIG. 2

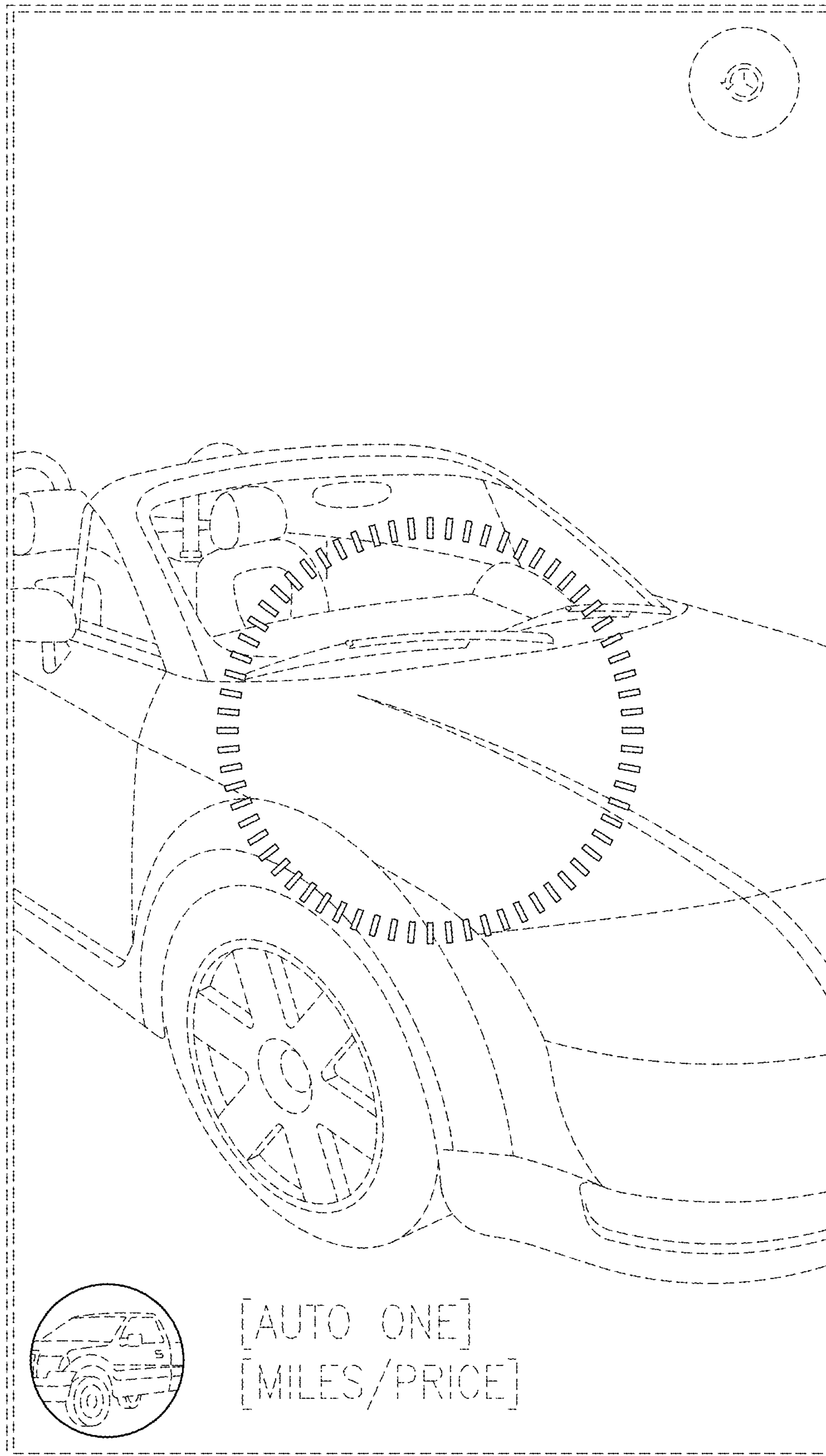


FIG. 3

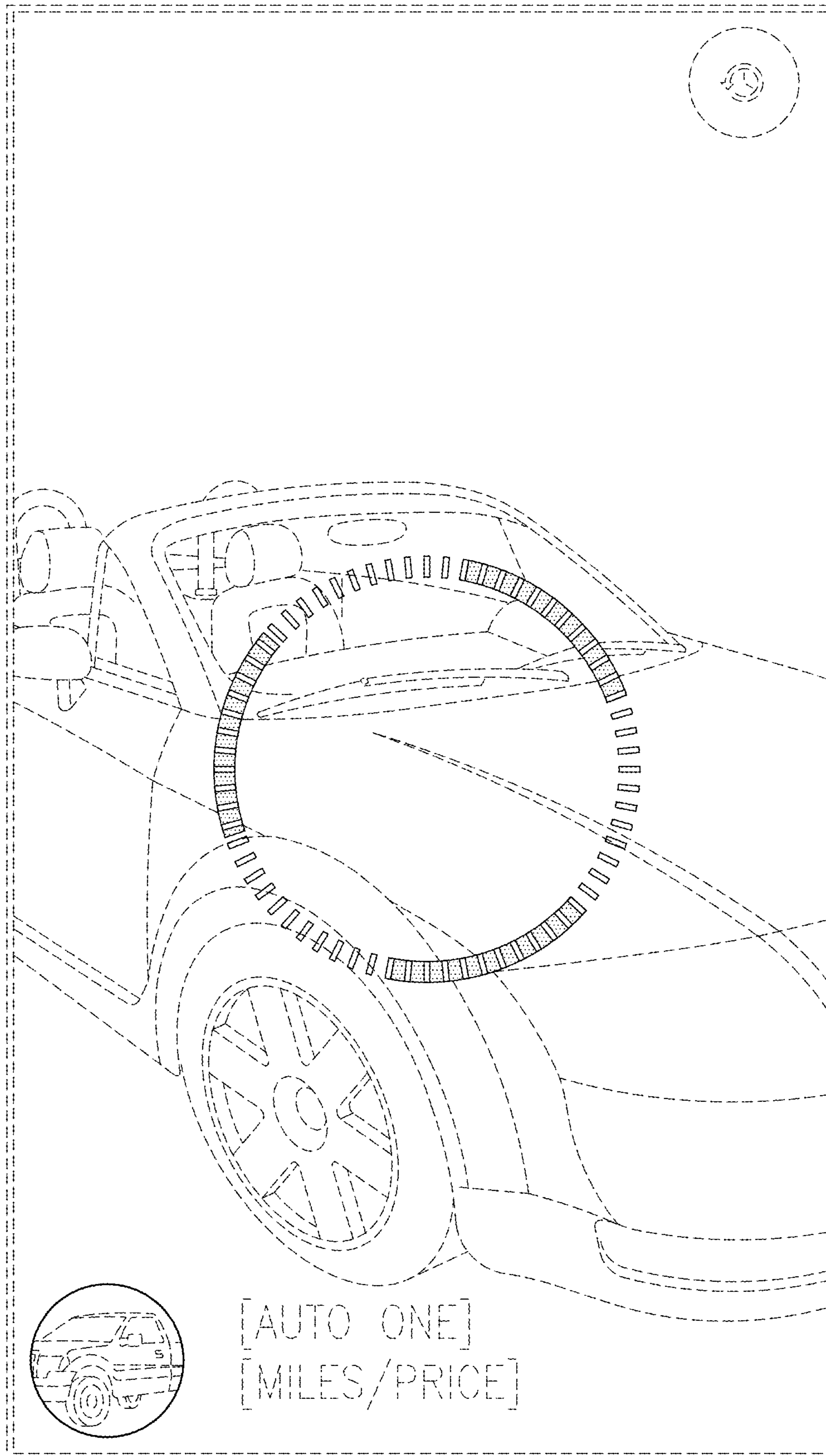


FIG. 4

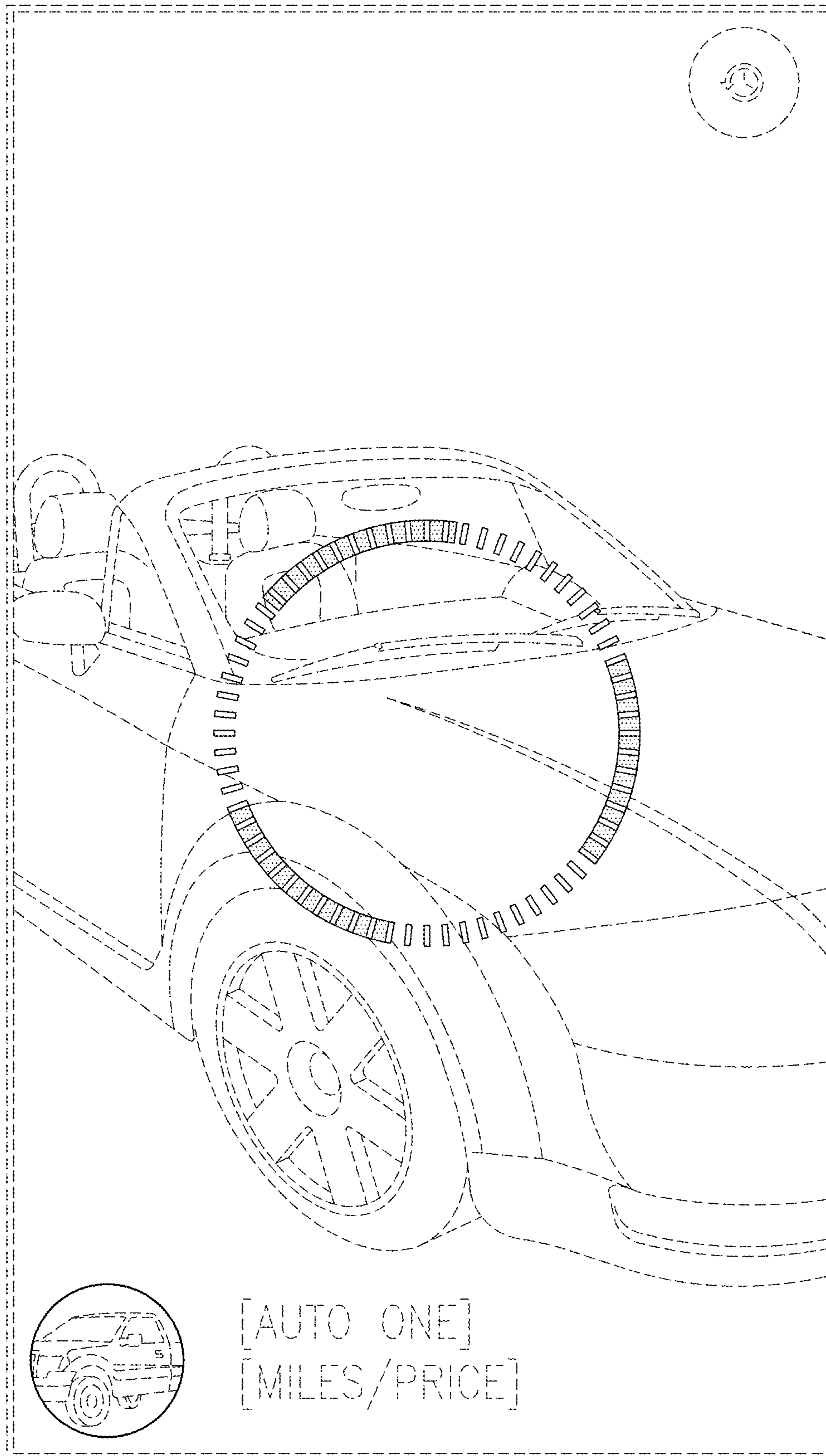


FIG. 5

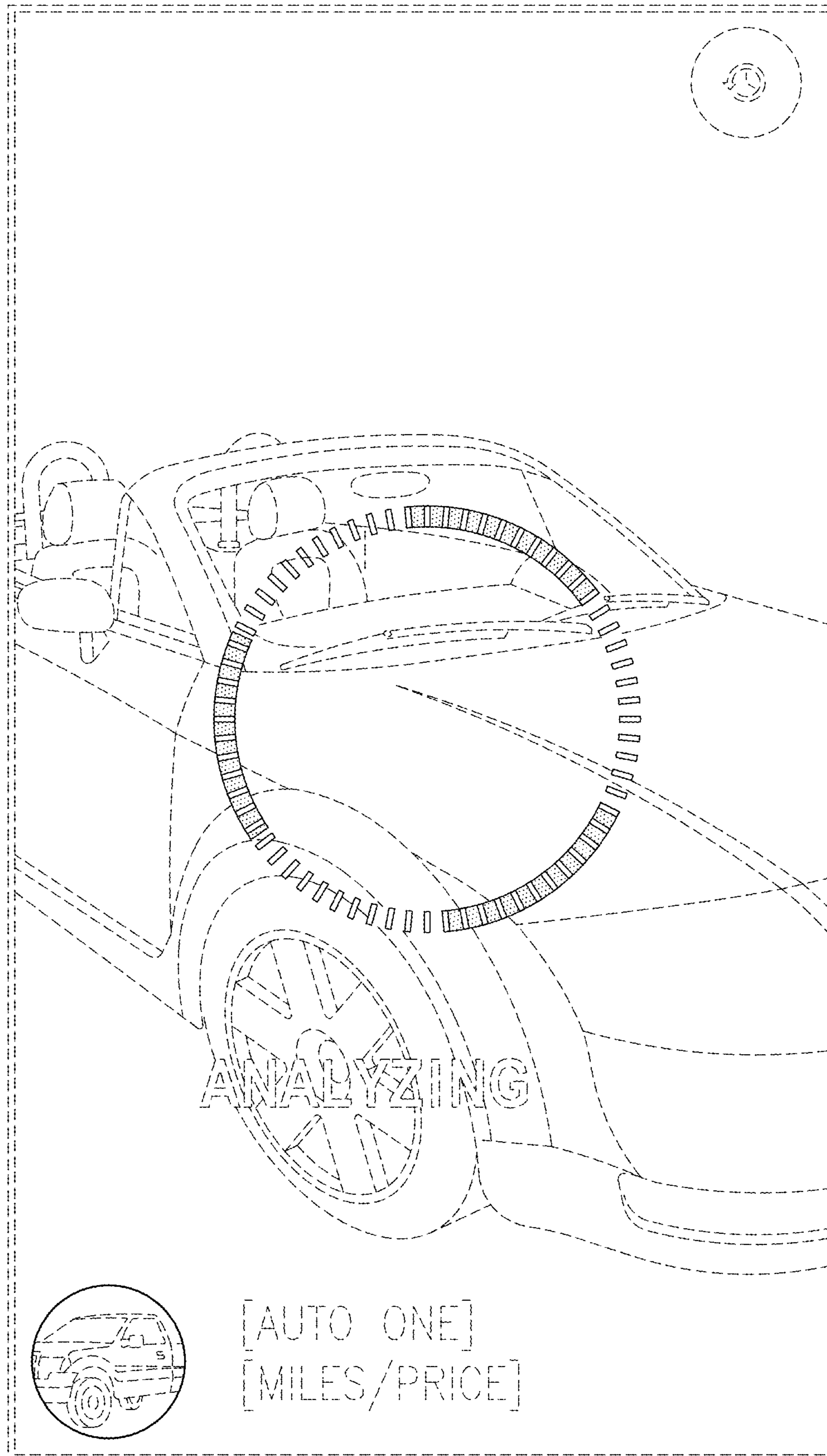


FIG. 6

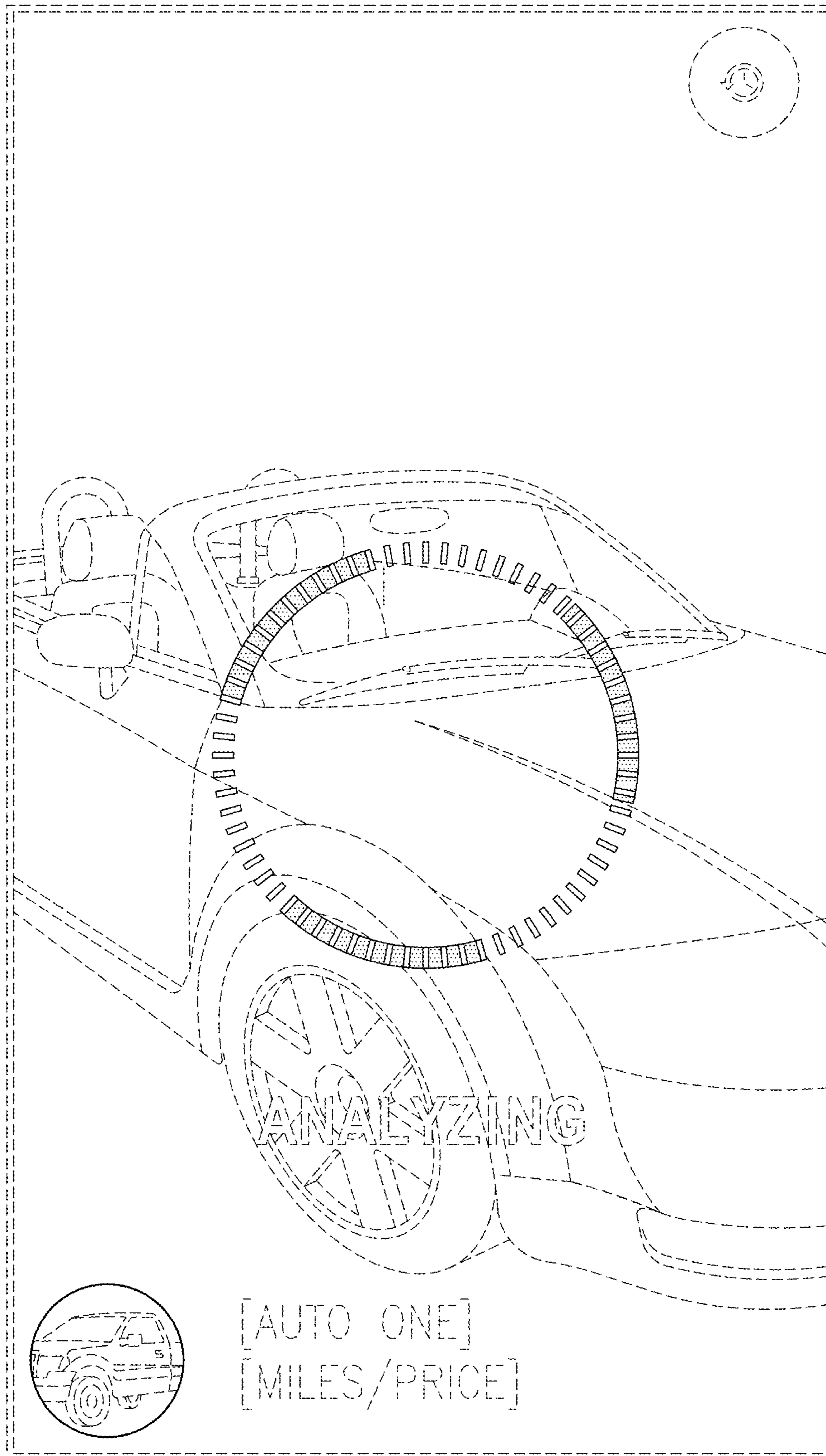


FIG. 7

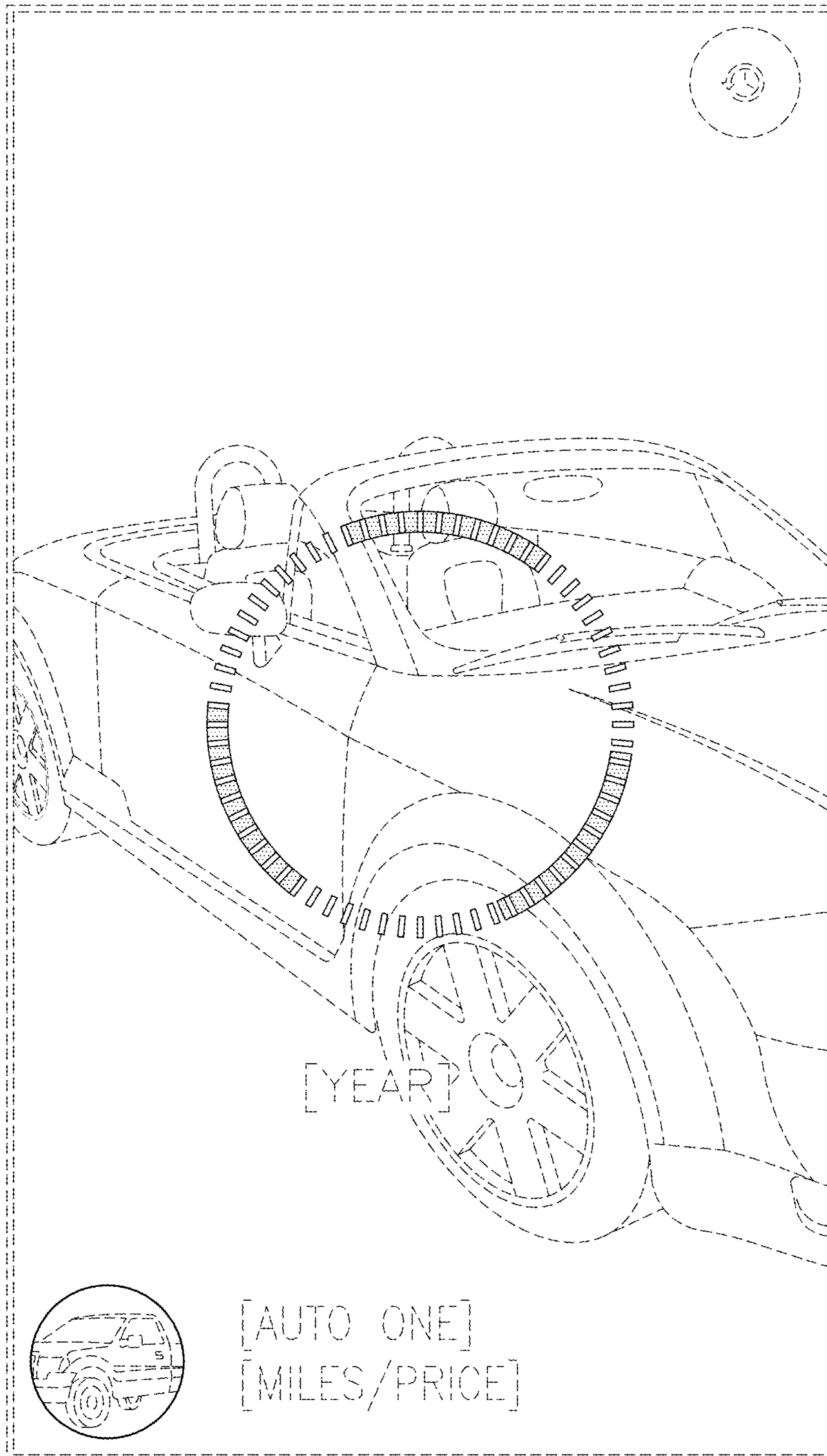


FIG. 8

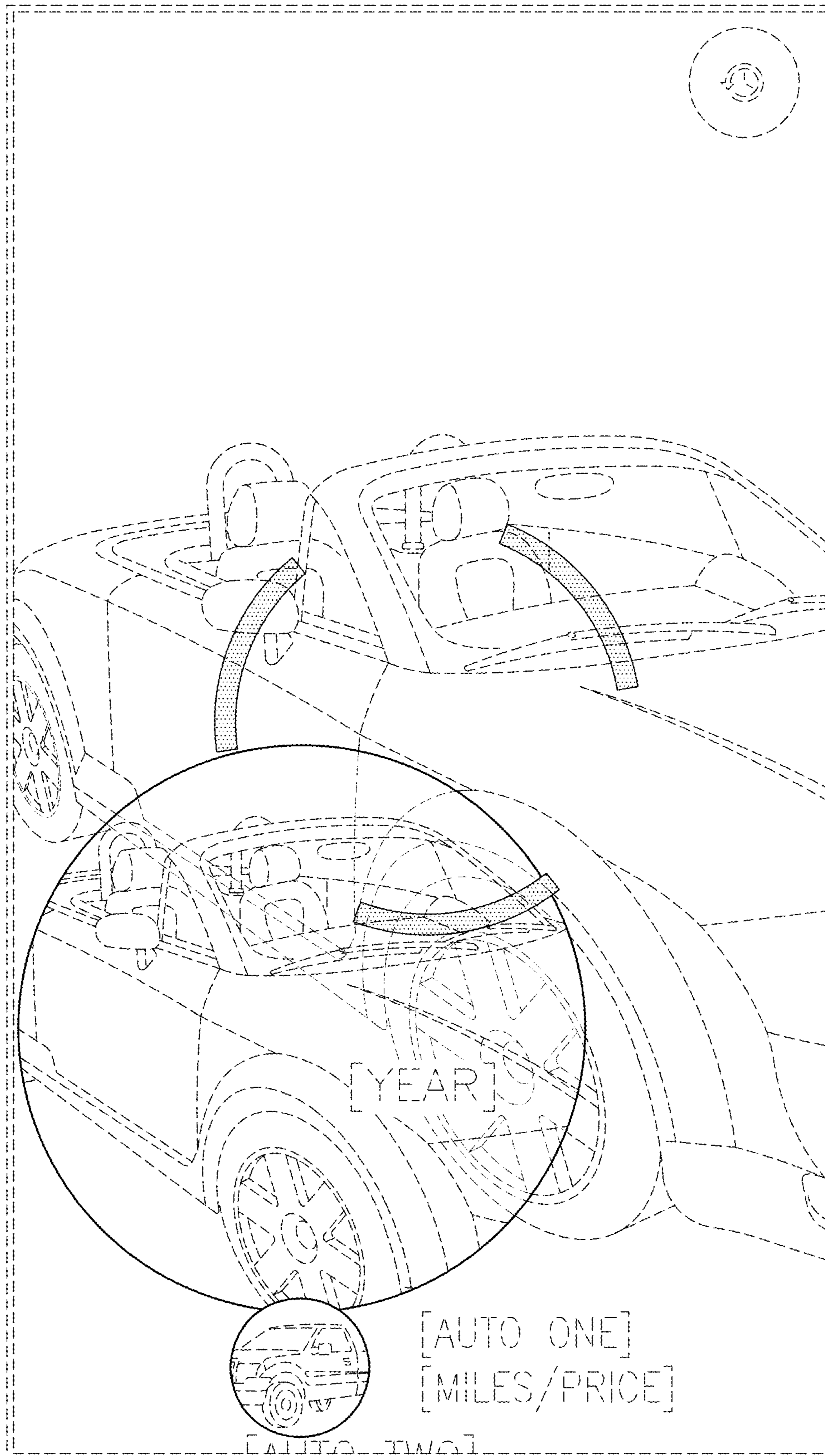


FIG. 9

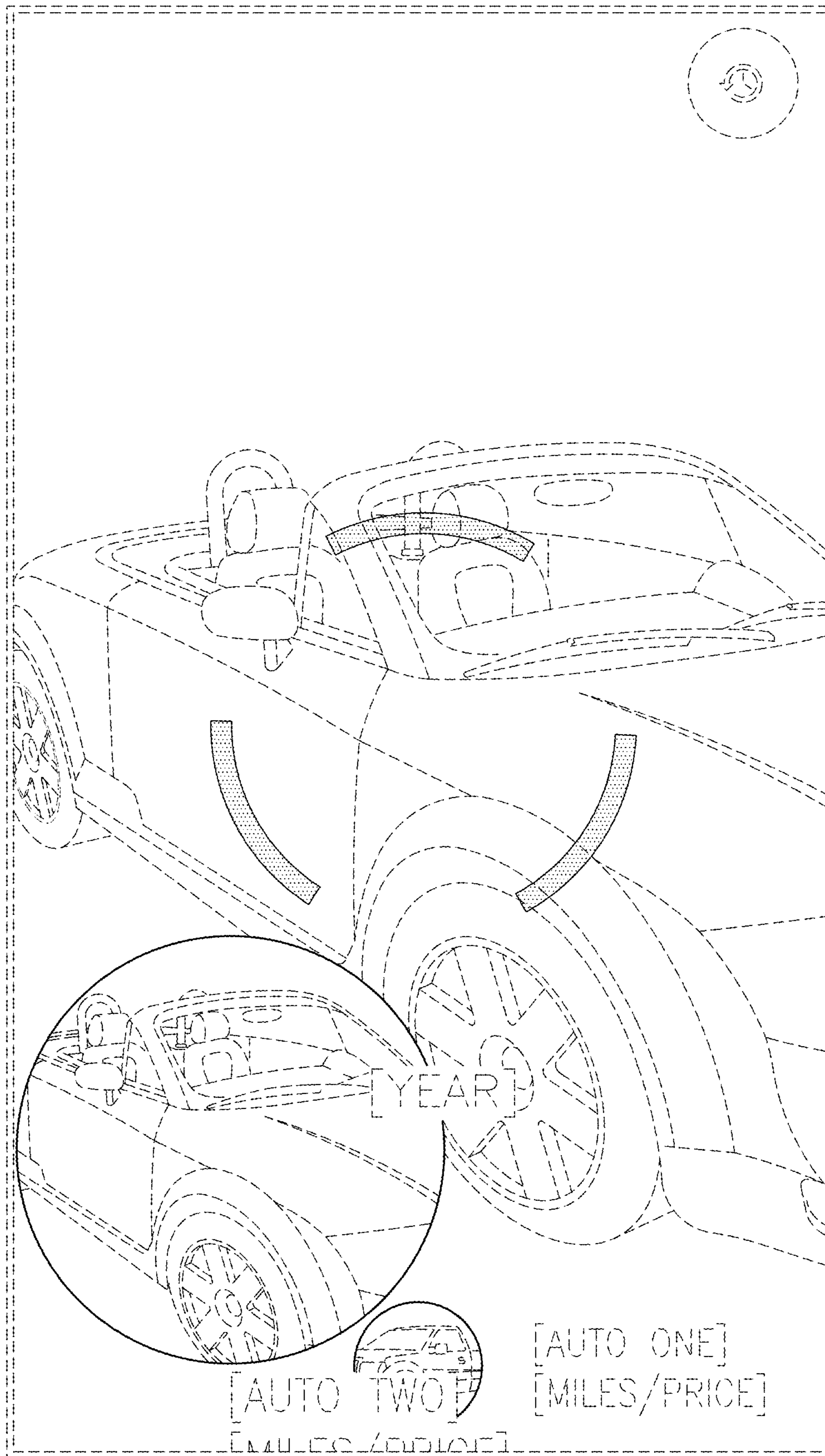


FIG. 10

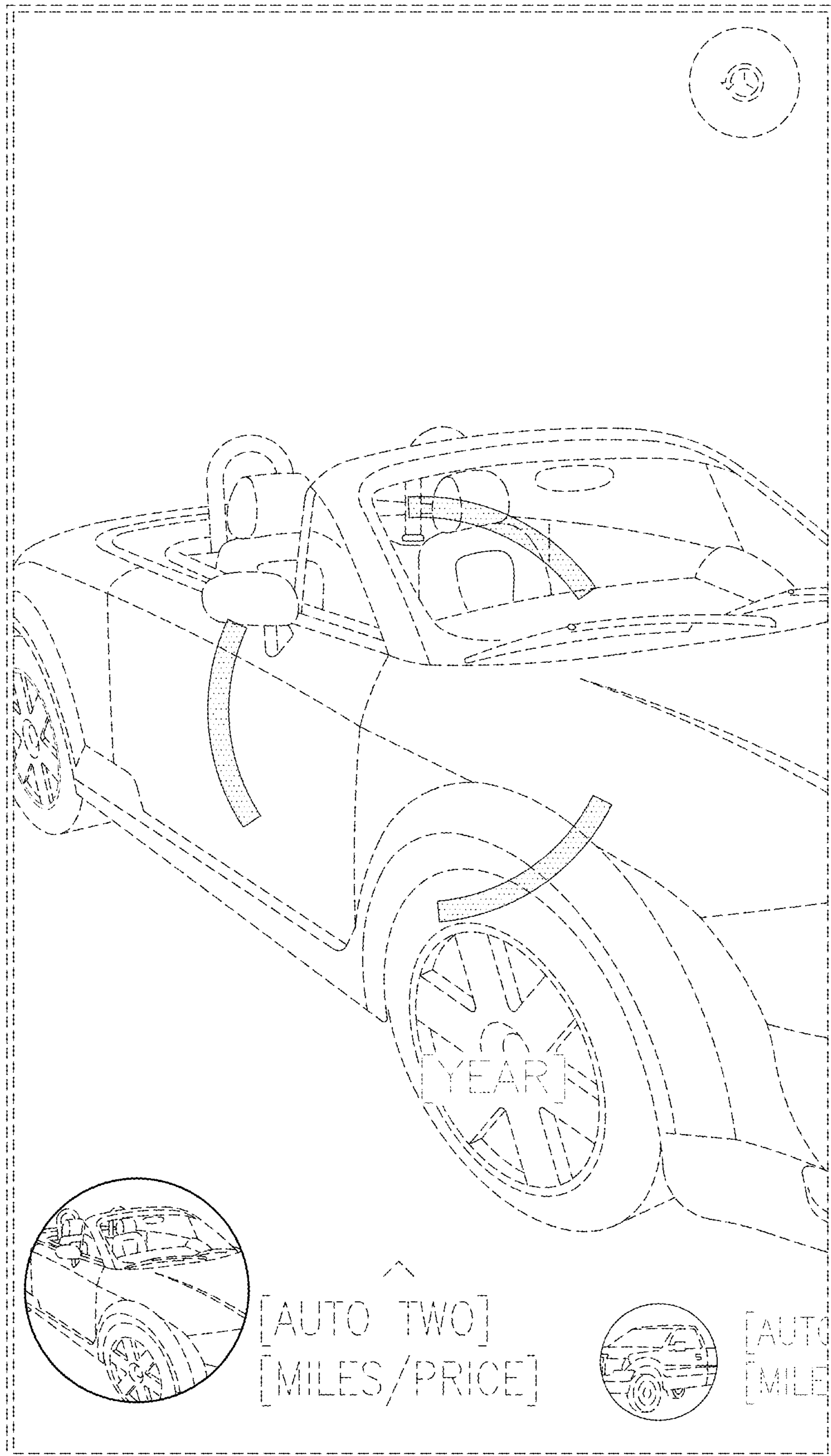


FIG. 11

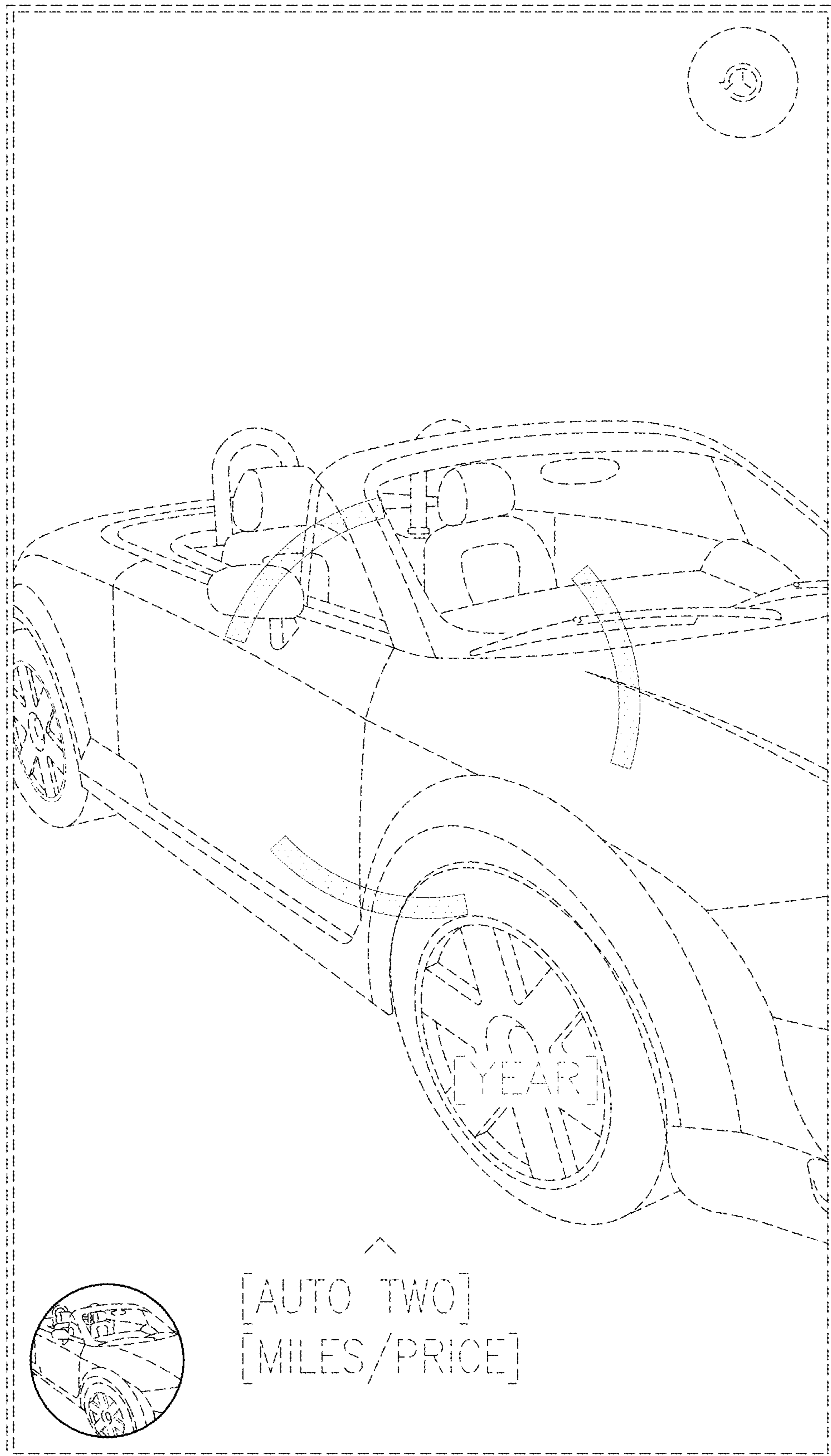


FIG. 12

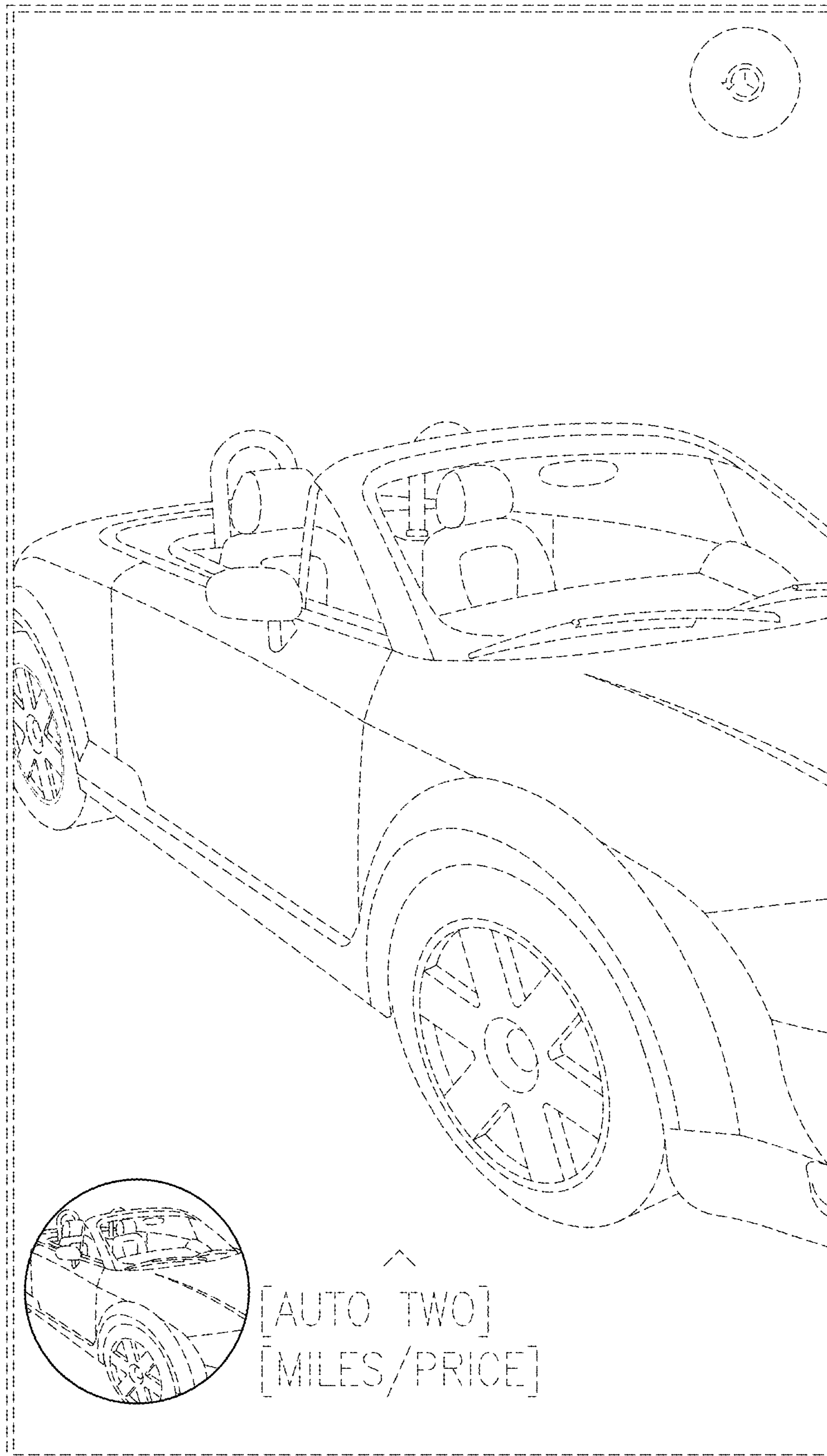


FIG. 13

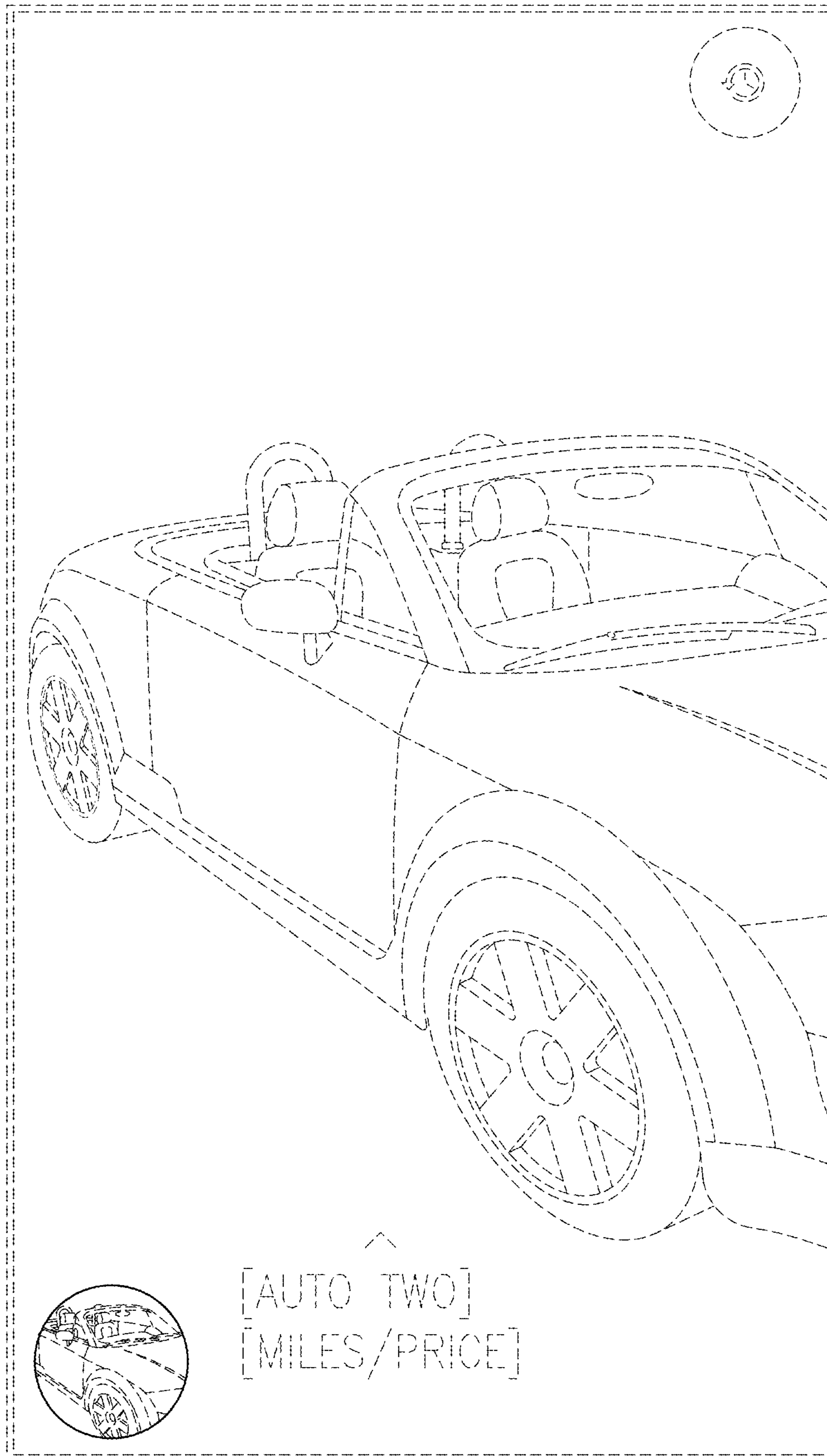


FIG. 14