



US00D886843S

(12) **United States Design Patent** (10) **Patent No.:** **US D886,843 S**
Broughton et al. (45) **Date of Patent:** **** Jun. 9, 2020**

(54) **DISPLAY SCREEN OR PORTION THEREOF WITH GRAPHICAL USER INTERFACE**

(71) Applicant: **Apple Inc.**, Cupertino, CA (US)

(72) Inventors: **Lee Broughton**, Santa Cruz, CA (US);
Kevin Will Chen, Sunnyvale, CA (US);
Alan C. Dye, San Francisco, CA (US);
Christopher Wilson, San Francisco, CA (US);
Eric Lance Wilson, San Jose, CA (US)

(73) Assignee: **Apple Inc.**, Cupertino, CA (US)

(**) Term: **15 Years**

(21) Appl. No.: **29/682,306**

(22) Filed: **Mar. 4, 2019**

Related U.S. Application Data

(63) Continuation of application No. 29/650,891, filed on Jun. 11, 2018, now Pat. No. Des. 842,326, which is a (Continued)

(51) **LOC (12) Cl.** **14-04**

(52) **U.S. Cl.**
USPC **D14/485**

(58) **Field of Classification Search**

USPC D14/485-495; 345/1.1, 1.2, 2.1-2.3, 3.1, 345/902; 715/763, 810, 836, 837, 846, 715/847, 977; D10/39, 125-126; D20/10-12
CPC G06F 3/048; G06F 3/0481; G06F 3/04812; G06F 3/04817; G06F 3/0482; G06F 3/0483; G06F 3/0484; G06F 3/04847; G06F 3/0485; G06F 3/04855; G06F 3/04886; G06Q 30/00; H03J 1/00; H03J 1/0008; H03J 1/0016; H03J 1/0025; H04N 5/00;

(Continued)

(56) **References Cited**

U.S. PATENT DOCUMENTS

D119,256 S 3/1940 Darling
3,630,137 A 12/1971 Stimson et al.

(Continued)

FOREIGN PATENT DOCUMENTS

AU 201616968 1/2017
BR DI98681759-6 F 8/2009

(Continued)

OTHER PUBLICATIONS

“App clock Icon”, posted at iconarchive.com, Aug. 13, 2011. Available from Internet: <<http://www.iconarchive.com/show/crystal-clear-icons-by-everaldo/App-clock-icon.html>>.

(Continued)

Primary Examiner — Cathron C Brooks

Assistant Examiner — Christian P. McLean

(74) *Attorney, Agent, or Firm* — Sterne, Kessler, Goldstein & Fox P.L.L.C.

(57) **CLAIM**

The ornamental design for a display screen or portion thereof with graphical user interface, as shown and described.

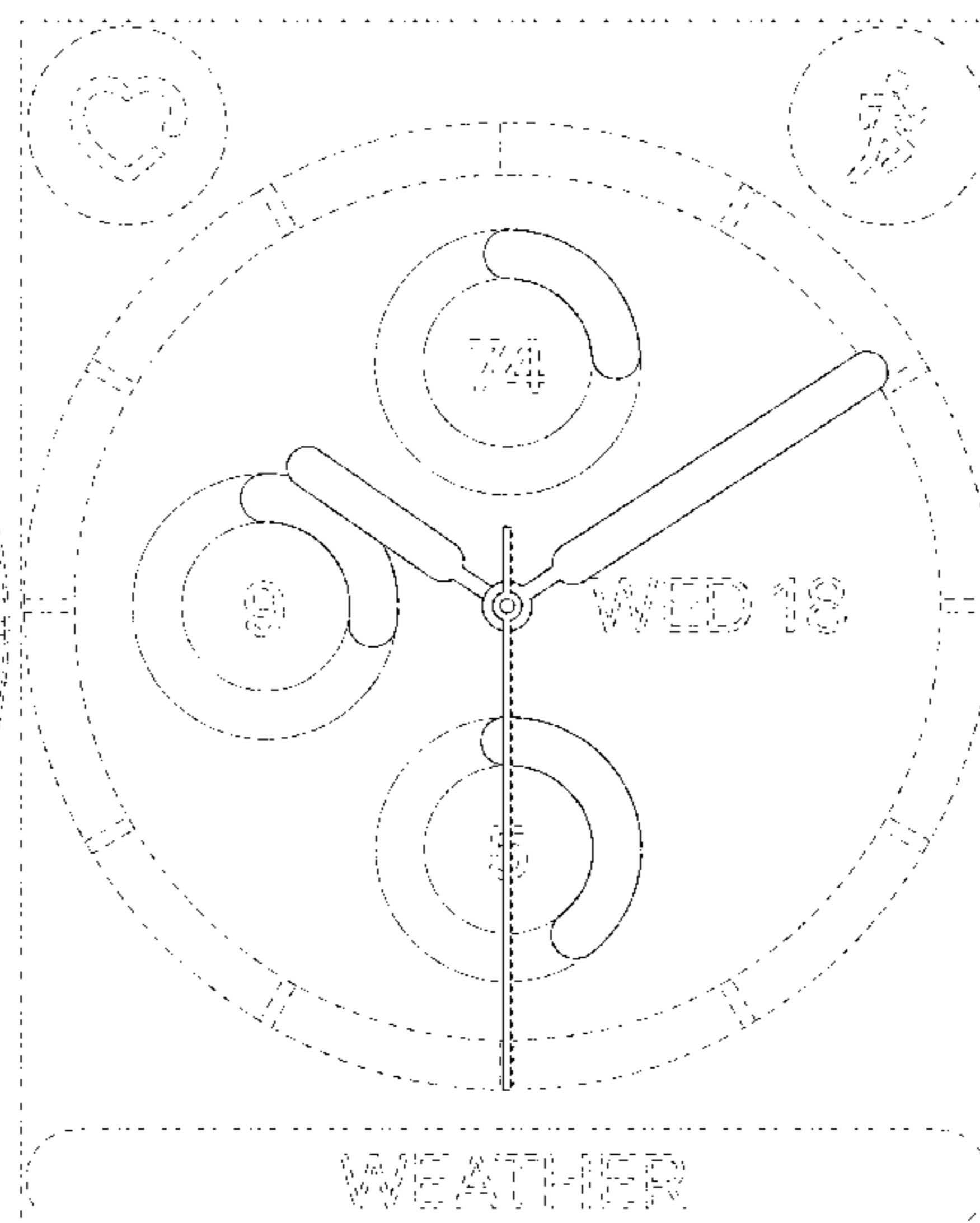
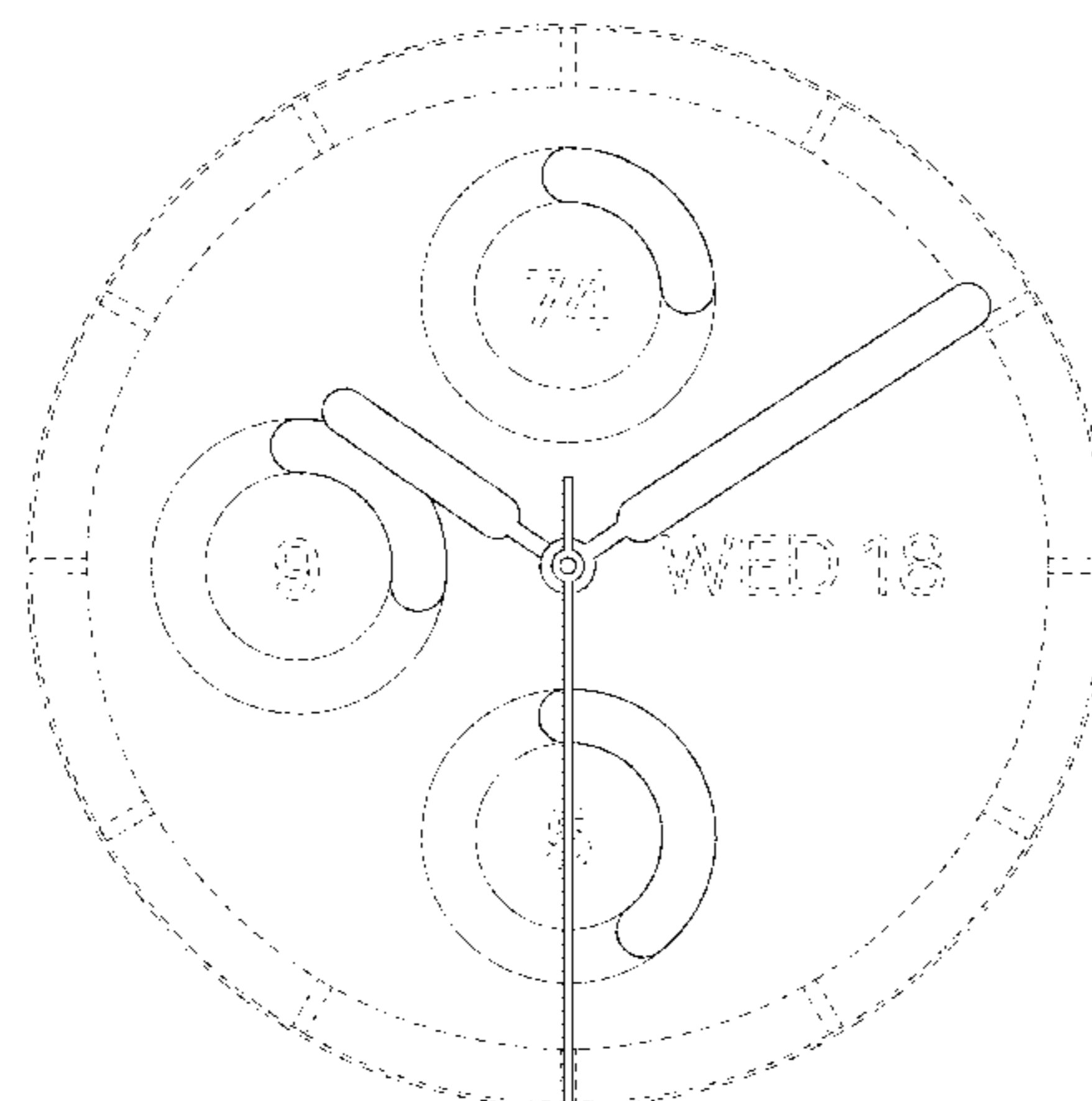
DESCRIPTION

FIG. 1 is a front view of a display screen or portion thereof with graphical user interface showing the claimed design; and,

FIG. 2 is another front view of the design of FIG. 1, shown in a different broken line environment.

The outermost broken lines in the figures show a display screen or portion thereof, and form no part of the claimed design. The other broken lines in the figures show portions of the graphical user interface that form no part of the claimed design.

1 Claim, 2 Drawing Sheets



Related U.S. Application Data

continuation of application No. 29/616,004, filed on Sep. 1, 2017, now Pat. No. Des. 820,300, which is a continuation of application No. 29/567,732, filed on Jun. 11, 2016, now Pat. No. Des. 796,547.

(58) **Field of Classification Search**

CPC H04N 5/08; H04N 5/14; H04N 5/222; H04N 5/225; H04N 5/232; H04N 5/445; H04N 5/44543; H04N 5/45; H04N 2005/44517; H04N 2005/44521; H04N 2005/44526; H04N 2005/4453; H04N 2005/44534; H04N 2005/44539; H04N 2005/44547; H04N 2005/44556; H04N 2005/4456; H04N 2005/44565; H04N 2005/44569; H04N 2005/44573; H04N 21/00; H04N 21/234; H04N 21/431; H04N 21/4312; H04N 21/4314; H04N 21/4316

See application file for complete search history.

(56) **References Cited**

U.S. PATENT DOCUMENTS

3,678,823 A 7/1972 Sato
 4,322,144 A 3/1982 Suzuki et al.
 D270,271 S 8/1983 Steele
 4,431,288 A 2/1984 Iwata et al.
 D396,455 S 7/1998 Bier
 5,798,760 A 8/1998 Vayda et al.
 5,892,507 A 4/1999 Moorby et al.
 D416,550 S 11/1999 Richter
 6,137,960 A 10/2000 Komatsuzaki et al.
 D437,342 S 2/2001 Kramer et al.
 D437,792 S 2/2001 Glauser
 D441,763 S 5/2001 Kahn et al.
 D445,428 S 7/2001 Pattenden
 D450,711 S 11/2001 Istvan et al.
 D461,822 S 8/2002 Okuley
 D474,197 S 5/2003 Nguyen
 D474,782 S 5/2003 Okuley
 D476,488 S 7/2003 White
 D493,177 S 7/2004 Retuta et al.
 D493,471 S 7/2004 McIntosh
 D500,766 S 1/2005 Hanisch et al.
 D505,135 S 5/2005 Sapp et al.
 D510,583 S 10/2005 Vong
 7,006,132 B2 2/2006 Pereira et al.
 D523,441 S 6/2006 Sapp et al.
 D525,981 S 8/2006 Hally et al.
 D536,343 S 2/2007 Fong et al.
 D540,337 S 4/2007 Parta
 D544,496 S 6/2007 Evans et al.
 D545,323 S 6/2007 Decombe
 7,305,622 B2 12/2007 Cohen et al.
 D563,965 S 3/2008 Van Dongen et al.
 7,343,565 B2 3/2008 Ying et al.
 D565,588 S 4/2008 Sherry
 D568,178 S 5/2008 Giannini
 D568,770 S 5/2008 Tseng
 7,367,723 B2 5/2008 Matusik et al.
 D582,935 S 12/2008 Lee et al.
 D590,416 S 4/2009 Kochackis
 D593,580 S 6/2009 Truelove et al.
 D597,101 S 7/2009 Chaudhri et al.
 D604,305 S 11/2009 Anzures et al.
 D604,307 S 11/2009 Stiller et al.
 D606,091 S 12/2009 O'Donnell et al.
 D606,551 S 12/2009 Willis
 D611,054 S 3/2010 Lin et al.
 D611,952 S 3/2010 Berg et al.
 D612,398 S 3/2010 Lemay
 7,692,635 B2 4/2010 Iwamura
 D615,096 S 5/2010 Muhlfelder
 D617,334 S 6/2010 Chaudhri et al.

D617,338 S 6/2010 McCain et al.
 D619,614 S 7/2010 O'Mullan et al.
 D623,656 S 9/2010 Fitzmaurice et al.
 D625,320 S 10/2010 Woods et al.
 D628,911 S 12/2010 Giannini
 D631,764 S 2/2011 Furetta
 D637,201 S 5/2011 Wasko et al.
 D640,145 S 6/2011 Goto
 D640,574 S 6/2011 Giannini
 D641,374 S 7/2011 Fletcher et al.
 D642,588 S 8/2011 Anzures
 D644,239 S 8/2011 Anzures et al.
 D644,242 S 8/2011 Matas
 D644,243 S 8/2011 Matas
 D645,470 S 9/2011 Matas
 D647,914 S 11/2011 Brouwers et al.
 D649,557 S 11/2011 Duchene
 D649,889 S 12/2011 Giannini
 D650,705 S 12/2011 Blank
 8,077,153 B2 12/2011 Benko et al.
 D654,925 S 2/2012 Nishizawa et al.
 8,151,209 B2 4/2012 Law et al.
 D659,159 S 5/2012 Matas
 D661,701 S 6/2012 Brown et al.
 8,230,339 B2 7/2012 Watanabe et al.
 8,255,454 B2 8/2012 Broda et al.
 D667,019 S 9/2012 Chaudhri
 D667,316 S 9/2012 Tonohori
 D669,497 S 10/2012 Lee et al.
 8,327,272 B2 12/2012 Anzures et al.
 D676,060 S 2/2013 Frost et al.
 8,386,961 B2 2/2013 Buffet et al.
 D684,586 S 6/2013 Plesnicher et al.
 D686,218 S 7/2013 Anzures et al.
 D686,245 S 7/2013 Gardner et al.
 D687,460 S 8/2013 Tyler et al.
 8,612,151 B2 12/2013 Winkler et al.
 8,630,801 B2 1/2014 Katzer
 D700,207 S 2/2014 Pearson et al.
 D702,710 S 4/2014 Van Os
 D702,718 S 4/2014 Abratowski et al.
 D703,554 S 4/2014 Emmenegger et al.
 D704,220 S 5/2014 Lim et al.
 D705,810 S 5/2014 Ma et al.
 D706,283 S 6/2014 Padilla et al.
 D707,696 S 6/2014 Bentley
 D709,091 S 7/2014 Kwon et al.
 D710,367 S 8/2014 Quattrocchi
 D710,371 S 8/2014 Van Os
 D711,909 S 8/2014 Chaudhri
 D721,724 S 1/2015 Horst et al.
 D726,219 S 4/2015 Chaudhri et al.
 D727,336 S 4/2015 Allison et al.
 D728,616 S 5/2015 Gomez et al.
 D730,397 S 5/2015 Oh et al.
 D731,541 S 6/2015 Lee
 D735,060 S 7/2015 Monachon
 D735,754 S 8/2015 Chaudhri et al.
 D736,654 S 8/2015 Monachon
 D737,159 S 8/2015 Akana et al.
 D738,380 S 9/2015 Nielsen
 D740,300 S 10/2015 Lee et al.
 D741,898 S 10/2015 Soegiono et al.
 D742,390 S 11/2015 Bang et al.
 D744,356 S 12/2015 Akana et al.
 D746,295 S 12/2015 Arai et al.
 D746,828 S 1/2016 Arai et al.
 D749,634 S 2/2016 Cho
 D750,646 S 3/2016 Tawa et al.
 D751,108 S 3/2016 Caldwell et al.
 D752,098 S 3/2016 Kim et al.
 D752,624 S 3/2016 Butcher et al.
 D753,696 S 4/2016 Dye et al.
 D754,046 S 4/2016 Chung
 D754,173 S 4/2016 Kim
 D754,706 S 4/2016 Hwang et al.
 D755,221 S * 5/2016 Kim D14/486
 D755,823 S 5/2016 Chen et al.
 D755,825 S 5/2016 Hwang et al.

(56)

References Cited

U.S. PATENT DOCUMENTS

D756,373 S 5/2016 Raskin et al.
 D756,391 S 5/2016 Kouvas et al.
 D756,401 S 5/2016 Soldner et al.
 D757,079 S 5/2016 Chaudhri et al.
 D757,080 S 5/2016 Hou
 D759,077 S 6/2016 Bergmann et al.
 D759,079 S 6/2016 Carlton et al.
 D760,286 S 6/2016 Park
 D760,290 S * 6/2016 Huang D14/492
 D760,768 S 7/2016 Um et al.
 D760,791 S 7/2016 Liu
 D761,277 S 7/2016 Harvell et al.
 D761,297 S 7/2016 Eder
 D761,812 S 7/2016 Motamedi
 D761,857 S 7/2016 Mariet et al.
 D762,655 S 8/2016 Kai
 D762,659 S 8/2016 Butcher et al.
 D762,660 S 8/2016 Butcher et al.
 D762,673 S 8/2016 Seo et al.
 D763,309 S 8/2016 Seo et al.
 D763,868 S 8/2016 Kim et al.
 D763,869 S 8/2016 Wang et al.
 D763,877 S 8/2016 Yu
 D765,091 S 8/2016 Del Lima et al.
 D765,114 S 8/2016 Chaudhri et al.
 D765,681 S * 9/2016 Nagel D14/486
 D765,693 S 9/2016 Chaudhri et al.
 D766,289 S 9/2016 Bauer et al.
 D766,917 S 9/2016 Kwon et al.
 D766,950 S 9/2016 Dye et al.
 9,448,536 B1 9/2016 Kahn et al.
 D768,179 S 10/2016 Akana et al.
 D771,076 S 11/2016 Butcher et al.
 D772,932 S 11/2016 Chen et al.
 D772,941 S 11/2016 Nuovo et al.
 D773,333 S 12/2016 Monachon
 D781,878 S 3/2017 Butcher et al.
 D781,879 S 3/2017 Butcher et al.
 D784,389 S 4/2017 Kim et al.
 D786,278 S 5/2017 Motamedi
 D789,385 S 6/2017 Butcher et al.
 D795,906 S 8/2017 Butrick
 D796,543 S 9/2017 Broughton et al.
 D796,546 S * 9/2017 Chen D14/488
 D796,547 S 9/2017 Broughton et al.
 D797,135 S 9/2017 Chaudhri et al.
 D797,783 S 9/2017 Broughton et al.
 D800,769 S 10/2017 Hennessy et al.
 D801,369 S * 10/2017 Chaudhri D14/486
 D801,389 S 10/2017 Jung et al.
 D802,003 S * 11/2017 Jeon D14/486
 D802,021 S 11/2017 Pirklbauer
 D803,849 S * 11/2017 Chaudhri D14/485
 D803,855 S 11/2017 Chen et al.
 D803,879 S 11/2017 Broughton et al.
 D804,502 S 12/2017 Amini et al.
 D804,526 S 12/2017 Chen et al.
 D805,550 S 12/2017 Butcher et al.
 D806,107 S 12/2017 Kim et al.
 D806,119 S * 12/2017 Anzures D14/489
 D806,122 S 12/2017 Lee et al.
 D807,905 S 1/2018 Broughton et al.
 D809,543 S 2/2018 Broughton et al.
 D810,110 S 2/2018 Dye et al.
 D813,891 S 3/2018 Chaudhri et al.
 D813,892 S * 3/2018 Chaudhri D14/486
 D815,134 S * 4/2018 Kim D14/486
 D818,000 S 5/2018 Lee et al.
 D820,300 S 6/2018 Broughton et al.
 D824,400 S * 7/2018 Chang D14/485
 D831,040 S 10/2018 Amini et al.
 D836,651 S 12/2018 Butcher et al.
 D840,414 S * 2/2019 Chen D14/485
 D840,423 S * 2/2019 Narinedhat D14/486
 D842,236 S 3/2019 Broughton et al.

D842,326 S * 3/2019 Broughton D14/486
 D844,636 S * 4/2019 Kim D14/485
 D851,099 S * 6/2019 Uppala D14/485
 D851,107 S * 6/2019 Kim D14/486
 D858,553 S * 9/2019 Chaudhri D14/486
 D859,431 S * 9/2019 Chaudhri D14/485
 D862,503 S * 10/2019 Dye D14/486
 D868,094 S * 11/2019 Chen D14/486
 10,466,883 B2 * 11/2019 Fleizach G06F 3/0482
 D870,758 S * 12/2019 Chen D14/486
 D873,279 S * 1/2020 Dye D14/485
 D873,841 S * 1/2020 Kim D14/486
 2002/0113824 A1 8/2002 Myers, Jr.
 2004/0141010 A1 7/2004 Fitzmaurice et al.
 2005/0010955 A1 1/2005 Elia et al.
 2007/0136679 A1 6/2007 Yang
 2007/0226648 A1 * 9/2007 Hudson A63F 13/10
 715/810
 2008/0098331 A1 4/2008 Novick et al.
 2008/0126992 A1 5/2008 Scheu et al.
 2009/0113333 A1 4/2009 Dellinger et al.
 2009/0187335 A1 7/2009 Muhlfelder et al.
 2010/0091615 A1 * 4/2010 Scott G04G 9/0076
 368/21
 2010/0146433 A1 6/2010 Murata et al.
 2010/0157742 A1 * 6/2010 Relyea G04G 9/0082
 368/28
 2010/0231523 A1 9/2010 Chou
 2011/0041095 A1 2/2011 Reed
 2011/0047014 A1 2/2011 De Angelo
 2012/0036459 A1 2/2012 Pei et al.
 2012/0068854 A1 3/2012 Shiflet et al.
 2013/0019182 A1 1/2013 Gil et al.
 2013/0058198 A1 3/2013 Tu et al.
 2013/0174097 A1 7/2013 Wernecke
 2013/0227450 A1 8/2013 Na et al.
 2013/0271482 A1 * 10/2013 Fendley G06T 11/206
 345/589
 2013/0339904 A1 12/2013 Geithner
 2014/0317542 A1 10/2014 Kim et al.
 2015/0082162 A1 * 3/2015 Cho G06F 3/016
 715/702
 2015/0085622 A1 3/2015 Carreel et al.
 2015/0146504 A1 * 5/2015 Derriey C03C 17/04
 368/285
 2015/0253736 A1 9/2015 Watterson
 2015/0363065 A1 * 12/2015 Kim G06F 3/0416
 715/739
 2016/0034133 A1 * 2/2016 Wilson G06F 3/0488
 715/772
 2016/0259488 A1 9/2016 Chan et al.
 2016/0357282 A1 12/2016 Block et al.
 2016/0357386 A1 12/2016 Choi
 2017/0357426 A1 * 12/2017 Wilson G06F 3/0482
 2018/0218636 A1 * 8/2018 Alaouf G04G 9/0064

FOREIGN PATENT DOCUMENTS

EM 000839469-0062 2/2008
 EM 001236749-0002 3/2011
 JP D1307826 8/2007
 KR 30-0668662 11/2013
 KR 30-0906054 5/2017

OTHER PUBLICATIONS

JPO's document HJ23040214 dated Oct. 24, 2011, cited in Official Action for JP2015-004453.
 "Vector Wall Clock", posted at canstockphoto.com, Oct. 22, 2012. Available from Internet: <http://www.canstockphoto.com/illustration/watch.html#file_view.php?id=11287520>.
 Dezeen Magazine, "No. 1 by Form Us With Love for Tid Watches" <<http://www.dezeen.com/2012/10/29/no-1-watch-by-form-us-with-love-for-tid-at-dezeen-watch-store/>> dated Oct. 29, 2012.
 JPO's document HJ25006511 dated Apr. 30, 2014, cited in Official Action for JP2015-004453.

(56)

References Cited

OTHER PUBLICATIONS

“Hybrid Apple Watch Thin v.3.” facerepo.com. Uploaded Nov. 12, 2015. Accessed Jun. 4, 2017. Available online at URL: <<https://facerepo.com/app/faces/details/hybrid-apple-watch-thin-v-3-15-0fec19e72>>.

Hollington, Jesse. “Instant Expert: Secrets & Features of watchOS 3.” ilounge.com. Sep. 15, 2016. Accessed Jun. 4, 2016. Available online at URL: <<http://www.ilounge.com/index.php/articles/comments/instant-expert-t-secrets-features-of-watchos-3>>.

Dashboard Widgets, Webcams, Wembley Webcam 1.0, located at <http://www.apple.com/downloads/dashboard/webcams/index2.html>, 2 pages.

Registered Trademark Serial No. 78157294, Seagate Technology, filed Aug. 23, 2002.

Dashboard Widgets, Webcams, MelaVedo, dated Jan. 12, 2006, located at <http://www.apple.com/downloads/dashboard/webcams/>, 3 pages.

Dashboard Widgets, Shopping, BBC Motion Gallery Search Widget, dated Apr. 25, 2006, located at <http://www.apple.com/downloads/dashboard/shopping/index4.html>, 3 pages.

Trademark Serial No. 78735768, published for opposition Aug. 29, 2006, (Registrant) Microsoft, Trademark Electronic Service System (TESS).

Registered Trademark Serial No. 77235043, Apple Inc., filing date Jul. 20, 2007, first use date Jun. 28, 2005.

Registered Trademark Serial No. 85069782, Apple Inc., filed Jun. 23, 2010.

Arc Live Clock Wallpaper Lite, posted date Mar. 3, 2012, play.gofreeshare.com, Copyright © 2016, site visited Feb. 29, 2016, Available from Internet, <<http://play.gofreeshare.com/app/gp9cf43hlf5i0/Arc%20Live%20Clock%20Wallpaper%20Lite.html>>.

When it Comes to iOS 7 Design, Apple and Developers Speak Different Languages, posted Jul. 2, 2013, http://www.maclife.com/article/columns/when_it_comes_ios_7_design_apple_and_developers_speak_different_languages.

Ultimate Infographic Resource Kits for Designers, posted around or before Sep. 26, 2013, hongkiat.com, site visited Feb. 18, 2016, Available from Internet, <<http://www.hongkiat.com/blog/infographics-resource-kits/#comment-1072640523>>.

Registered Trademark Serial No. 86238890, Apple Inc., filing date Apr. 1, 2014, priority date Oct. 8, 2013.

Registered Trademark Serial No. 86238947, Apple Inc., filing date Apr. 1, 2014, priority date Oct. 8, 2013.

Registered Trademark Serial No. 86239011, Apple Inc., filing date Apr. 1, 2014.

Registered Trademark Serial No. 86350204, Apple Inc., filing date Jul. 28, 2014, priority date Jan. 29, 2014.

Apple iWatch—The New Fitness Tracker, posted date Oct. 14, 2014, www.workouttrends.com, Copyright © 2014, site visited Jan. 11, 2016, Available from Internet, <<http://workouttrends.com/apple-iwatch-fitness>>.

Registered Trademark Serial No. 86526959, Apple Inc., filing date Feb. 6, 2015, priority date Sep. 17, 2014.

Registered Trademark Serial No. 86527039, Apple Inc., filing date Feb. 6, 2015, priority date Sep. 17, 2014.

Registered Trademark Serial No. 86527069, Apple Inc., filing date Feb. 6, 2015, priority date Sep. 17, 2014.

Registered Trademark Serial No. 86533674, Apple Inc., filing date Feb. 12, 2015, priority date Sep. 8, 2014.

Registered Trademark Serial No. 86514929, Apple Inc., filed Jan. 26, 2015.

Dulp: Color Wheel Blast, updated Jan. 7, 2016, www.iosmobileapp.com, Copyright © 2015, site visited Jan. 14, 2016, Available from Internet, http://www.iosmobileapp.com/nexx_studio/dulp_color_wheelblast!appld1040871937.

Registered Trademark Serial No. 85316306, Apple Inc., filed May 9, 2011, first use date Apr. 8, 2010.

Trademark Serial No. 86738558; Owner: Apple Inc.; Filed: Aug. 26, 2015; Priority Date: Mar. 4, 2015.

“How to Use the Pedometer on Apple Watch to Count Steps & Distance.” osxdaily.com. Dec. 20, 2015. <http://osxdaily.com/2015/12/20/use-pedometer-apple-watch-step-count/>.

“How to Pick, Change and Customize Your Apple Watch Clock Face.” [iphoneinformer.com](http://www.iphoneinformer.com). Apr. 26, 2015. <http://www.iphoneinformer.com/23686-how-to-pick-change-and-customize-your-apple-watch-clock-face/>.

McGarry, Caitlin. “watchOS 3 FAQ: Glances are going away as Watch apps speed up and move to a Dock.” Jun. 15, 2016. [macworld.com](http://www.macworld.com). Jun. 15, 2016. <https://www.macworld.com/article/3083906/wearables/watchos-3-faq-glances-are-going-away-as-watch-apps-speed-up-and-move-to>.

* cited by examiner

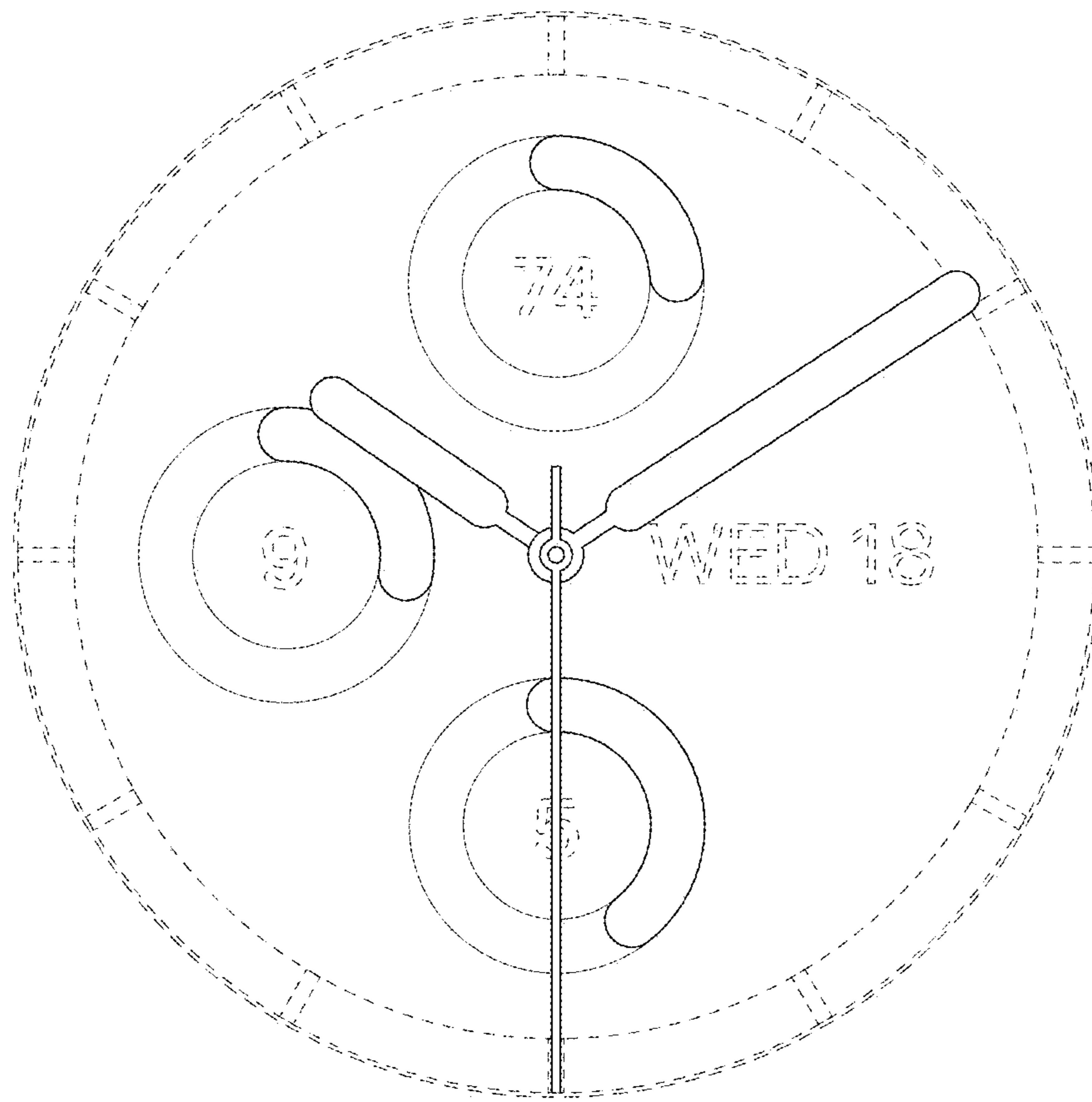


FIG. 1

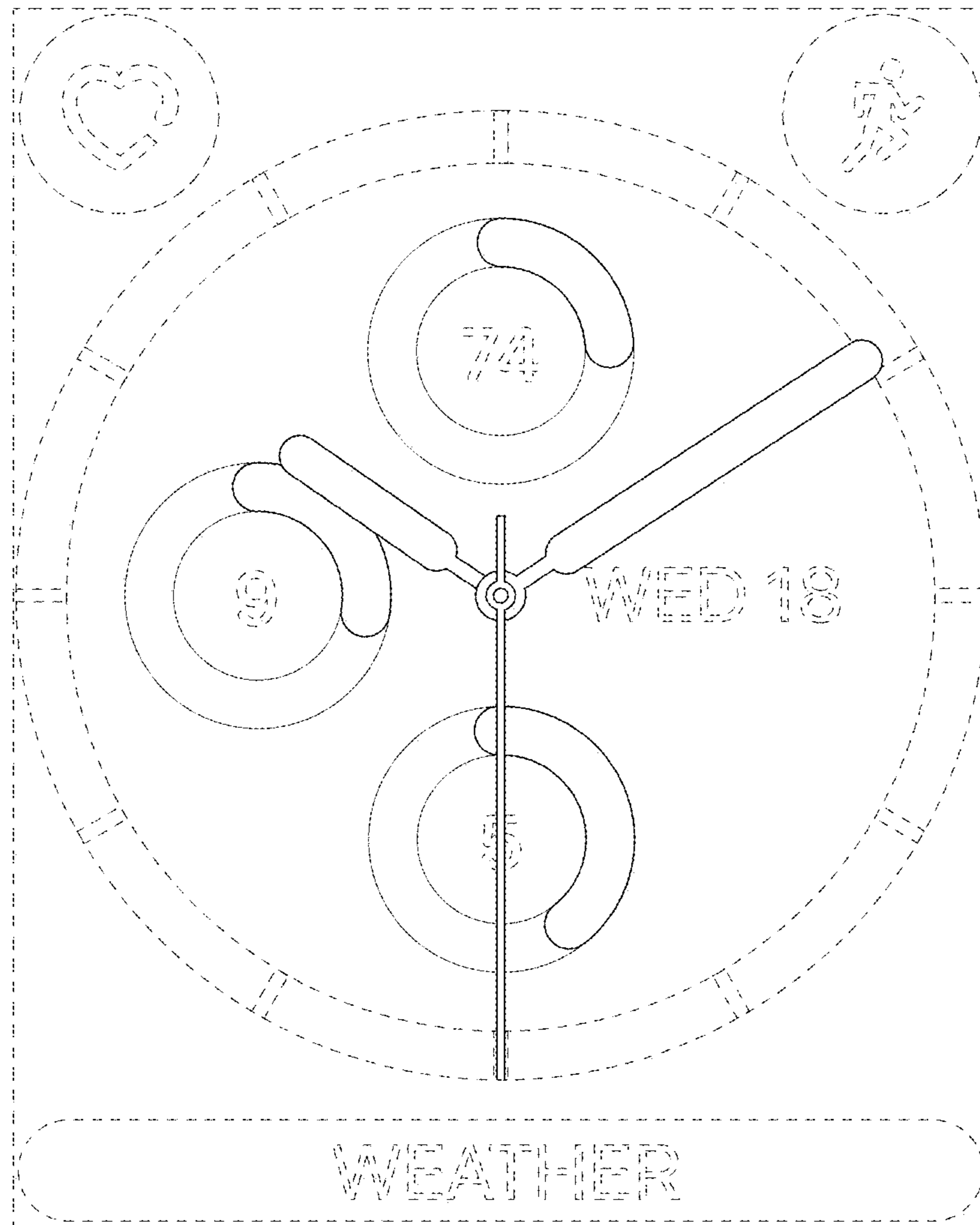


FIG. 2