



US00D886840S

(12) **United States Design Patent** (10) **Patent No.:** **US D886,840 S**
Rider et al. (45) **Date of Patent:** **** Jun. 9, 2020**

(54) **DISPLAY PANEL WITH GRAPHICAL USER INTERFACE**

(71) Applicant: **Coravin, Inc.**, Burlington, MA (US)

(72) Inventors: **Michael Rider**, Lowell, MA (US); **Beth Tuck**, Needham, MA (US)

(73) Assignee: **Coravin, Inc.**, Bedford, MA (US)

(**) Term: **15 Years**

(21) Appl. No.: **29/662,067**

(22) Filed: **Aug. 31, 2018**

(51) **LOC (12) Cl.** **14-04**

(52) **U.S. Cl.**
USPC **D14/485**; D14/489

(58) **Field of Classification Search**
USPC D14/485–495
CPC G06F 3/048; G06F 3/0481; G06F 3/04842;
G06T 13/80; G06T 15/02
See application file for complete search history.

(56) **References Cited**

U.S. PATENT DOCUMENTS

D352,668 S *	11/1994	Peersmann	D10/15
5,819,225 A *	10/1998	Eastwood	G06F 3/167 704/275
D471,226 S *	3/2003	Gray	D14/488
D471,227 S *	3/2003	Gray	D14/488
D523,442 S *	6/2006	Hiramatsu	D14/488
D547,365 S *	7/2007	Reyes	D18/27
D559,856 S *	1/2008	Kim	D14/486
D571,819 S *	6/2008	Scott	D14/487
D607,464 S *	1/2010	Tang	D14/485
D677,326 S *	3/2013	Gleasant	D18/27
D700,913 S *	3/2014	Kim	D14/486
D711,905 S *	8/2014	Morrison	D14/486
D721,727 S *	1/2015	Koehn	D14/488
D747,349 S *	1/2016	Park	D14/492
D754,150 S *	4/2016	Oh	D14/485

D757,087 S *	5/2016	Hiramatsu	D14/488
D757,796 S *	5/2016	Kurz	D14/489
D761,270 S *	7/2016	Kaplan	D14/485
D766,310 S *	9/2016	Jiang	D14/488
D767,650 S *	9/2016	Micheviz	D15/89
D793,451 S *	8/2017	Kang	D14/492
D801,986 S *	11/2017	Pirklbauer	D14/485
D803,872 S *	11/2017	Cole	D14/488
D804,524 S *	12/2017	Zin	D14/489
D806,126 S *	12/2017	Mander	D14/492
D814,430 S *	4/2018	Flowers	D13/174
D816,116 S *	4/2018	Selassie	D14/493

(Continued)

OTHER PUBLICATIONS

U.S. Appl. No. 29/662,065, filed Aug. 31, 2018, Rider et al.

Primary Examiner — Daniel J Domino

(74) *Attorney, Agent, or Firm* — Wolf, Greenfield & Sacks, P.C.

(57) **CLAIM**

The ornamental design for a display panel with graphical user interface, as shown and described.

DESCRIPTION

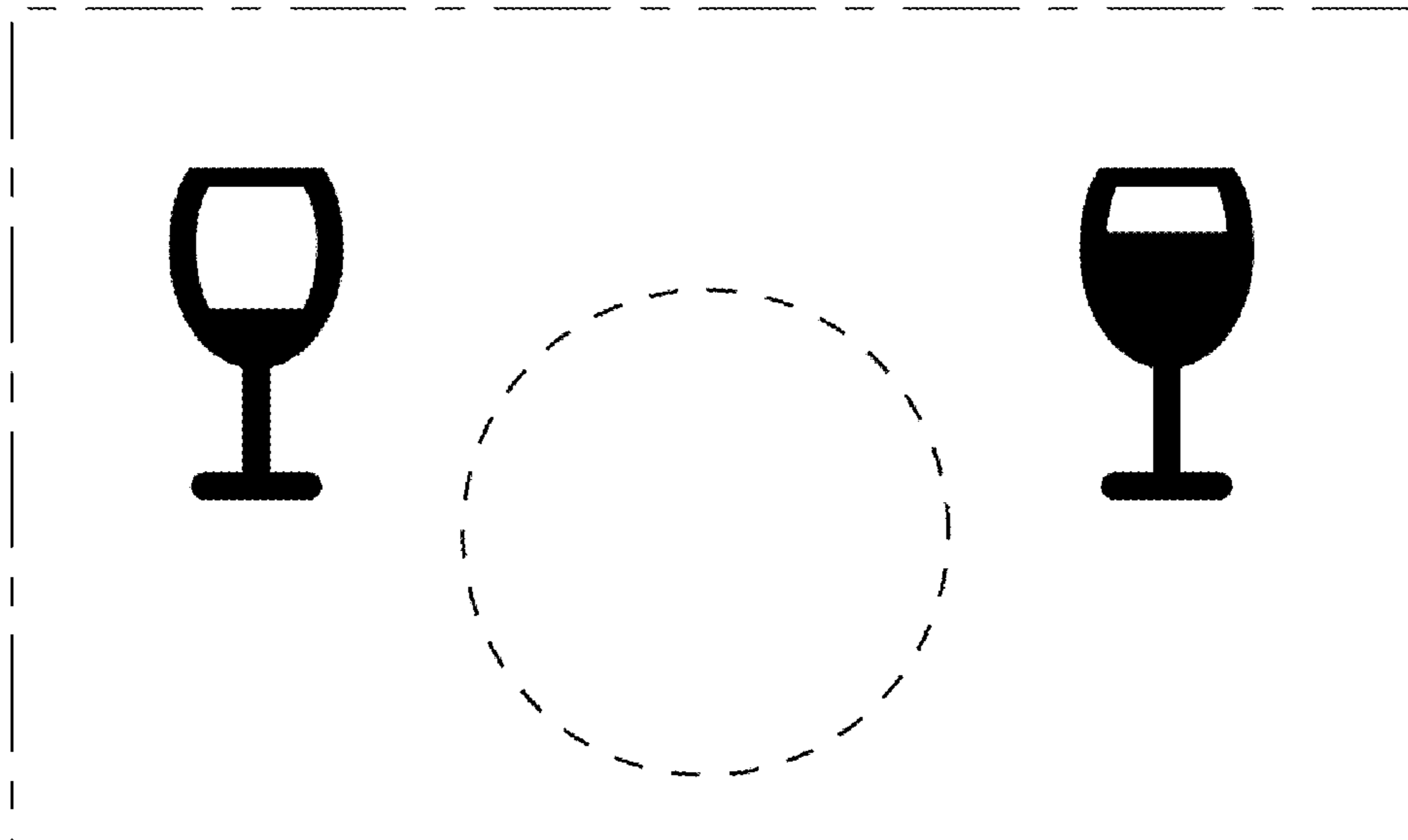
FIG. 1 is a front view of a display panel with graphical user interface showing our new design; and,

FIG. 2 is a top perspective view of the display panel on a beverage dispenser.

The dash-dash broken lines in FIG. 1 represent portions of the display panel with graphical user interface that form no part of the claimed design. The additional dash-dash broken lines in FIG. 2 represent environmental subject matter of a beverage dispenser, and form no part of the claimed design.

The dot-dash broken lines illustrate a display panel and form no part of the claimed design. The display panel may be a display screen, a display panel with the wine glass images being illuminable, or any other suitable display panel.

1 Claim, 2 Drawing Sheets



(56)

References Cited

U.S. PATENT DOCUMENTS

D817,348	S	*	5/2018	Ishikawa	D14/486
D819,040	S	*	5/2018	Grace	D14/485
D819,675	S	*	6/2018	Kumar	D14/486
D823,893	S	*	7/2018	Sepulveda	D14/492
D824,935	S	*	8/2018	Boutoussov	D14/486
D831,696	S	*	10/2018	Clarke	D14/489
D834,591	S	*	11/2018	Lehmann	D14/485
D836,659	S	*	12/2018	Andrew	D14/486
D846,565	S	*	4/2019	Yang	D14/485
D851,112	S	*	6/2019	Papolu	D14/486
D851,122	S	*	6/2019	Shu	D14/488
D852,224	S	*	6/2019	Qin	D14/488
D854,032	S	*	7/2019	Jones	D14/486
D855,075	S	*	7/2019	Lehman	D14/491
D855,076	S	*	7/2019	Stevens	D14/491
D860,219	S	*	9/2019	Rasmussen	D14/485
D861,707	S	*	10/2019	Yang	D14/485
D861,727	S	*	10/2019	Niven	D14/492
D861,728	S	*	10/2019	Gottle	D14/492
D864,977	S	*	10/2019	Lehmann	D14/485
D868,084	S	*	11/2019	Shu	D14/486
D868,827	S	*	12/2019	Kwiatkowski	D14/489
D869,501	S	*	12/2019	Lakas	D14/492
D870,121	S	*	12/2019	Yang	D14/485
D870,151	S	*	12/2019	Kretlow	D14/492
D871,446	S	*	12/2019	Binder	D14/489
D872,113	S	*	1/2020	Hsieh	D14/486
D872,275	S	*	1/2020	Frenkler	D24/158
D872,731	S	*	1/2020	Wang	D14/485
D872,766	S	*	1/2020	Ive	D14/492
D873,277	S	*	1/2020	Anzures	D14/485
D873,298	S	*	1/2020	Chen	D14/490

* cited by examiner

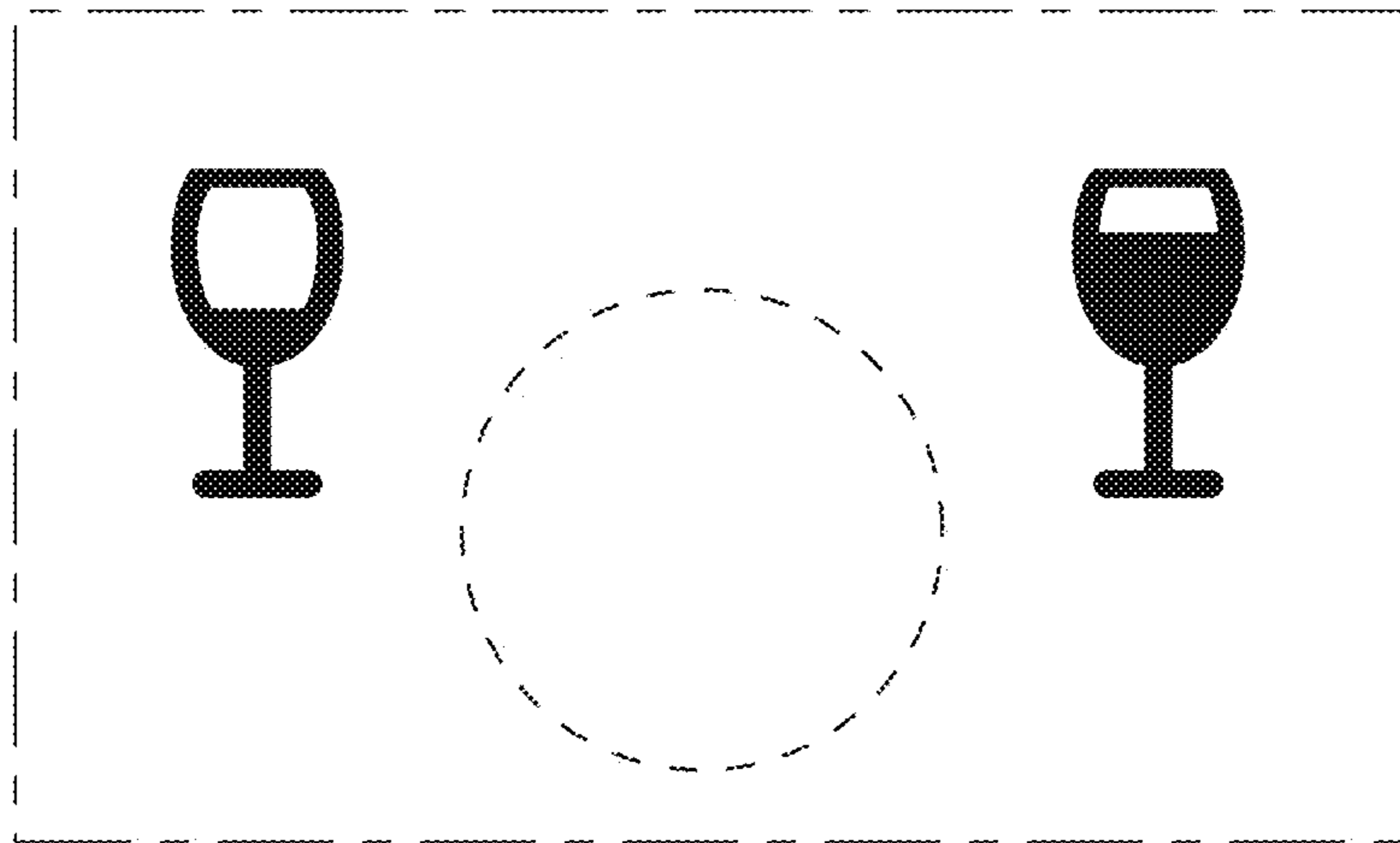


FIG. 1

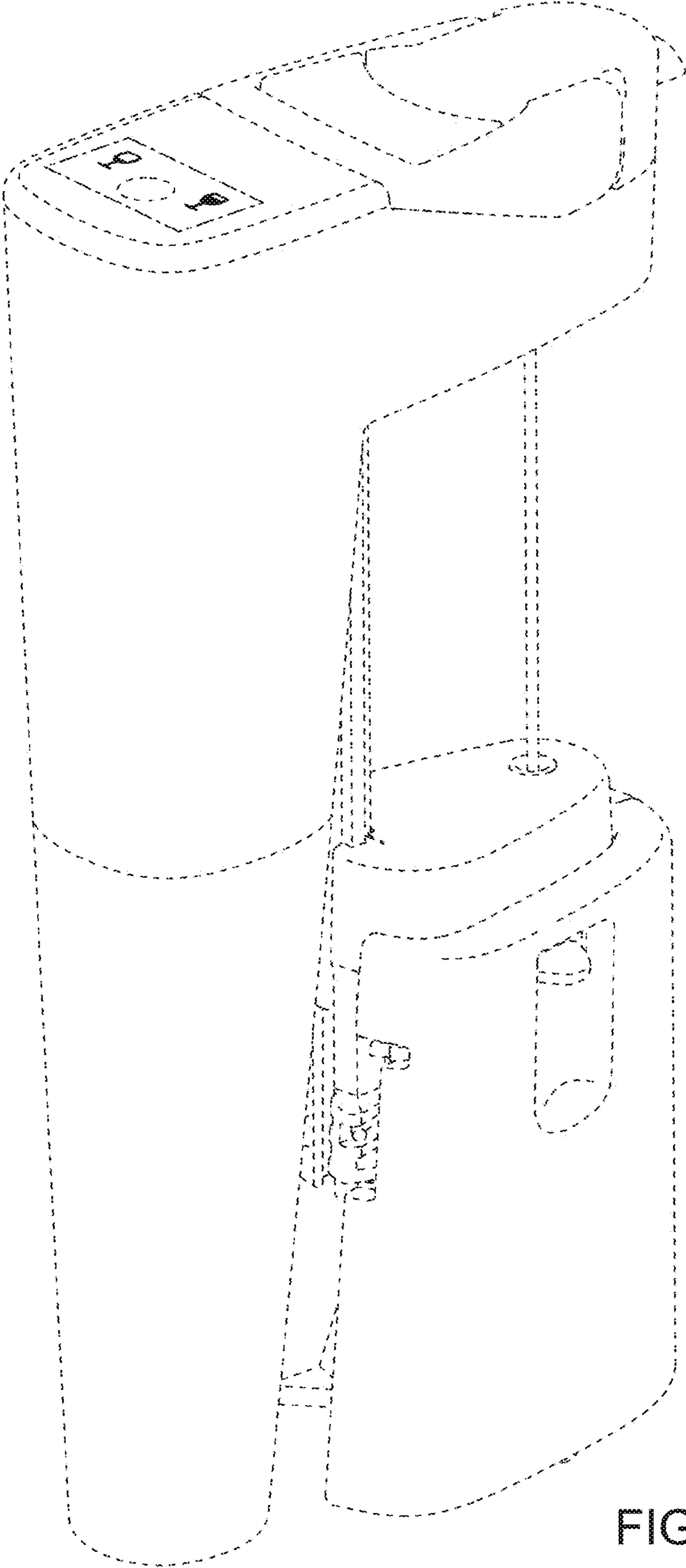


FIG. 2