



US00D886839S

(12) **United States Design Patent** (10) **Patent No.:** **US D886,839 S**
Rider et al. (45) **Date of Patent:** **** Jun. 9, 2020**

(54) **DISPLAY PANEL WITH GRAPHICAL USER INTERFACE DISPLAY SEQUENCE**
(71) Applicant: **Coravin, Inc.**, Burlington, MA (US)
(72) Inventors: **Michael Rider**, Lowell, MA (US); **Beth Tuck**, Needham, MA (US)
(73) Assignee: **Coravin, Inc.**, Bedford, MA (US)
(**) Term: **15 Years**
(21) Appl. No.: **29/662,065**
(22) Filed: **Aug. 31, 2018**
(51) **LOC (12) Cl.** **14-04**
(52) **U.S. Cl.**
USPC **D14/485**; D14/489
(58) **Field of Classification Search**
USPC D14/485-495
CPC G06F 3/048; G06F 3/0481; G06F 3/04842;
G06T 13/80; G06T 15/02
See application file for complete search history.

D757,796 S * 5/2016 Kurz D14/489
D761,270 S * 7/2016 Kaplan D14/485
D766,310 S * 9/2016 Jiang D14/488
D767,650 S * 9/2016 Micheviz D15/89
D793,451 S * 8/2017 Kang D14/492
(Continued)

OTHER PUBLICATIONS

U.S. Appl. No. 29/662,067, filed Aug. 31, 2018, Rider et al.

Primary Examiner — Daniel J Domino

(74) *Attorney, Agent, or Firm* — Wolf, Greenfield & Sacks, P.C.

(57) **CLAIM**

The ornamental design for a display panel with graphical user interface display sequence, as shown and described.

DESCRIPTION

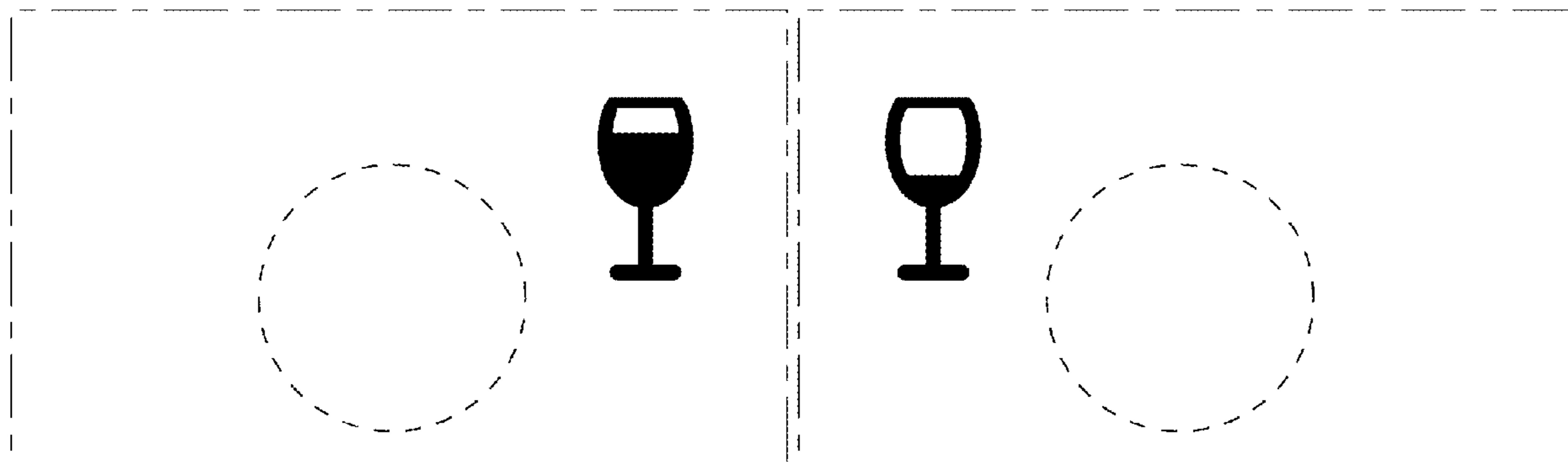
FIG. 1 is the first image of a display panel with graphical user interface display sequence showing our new design; FIG. 2 is the second image thereof; and, FIG. 3 is a top perspective view of the display panel with the first image on a beverage dispenser.

The dash-dash broken lines in FIGS. 1-2 represent portions of the display panel with user interface that form no part of the claimed design. The dot-dash broken lines represent a display panel or portion thereof, and form no part of the claimed design. The additional dash-dash broken lines in FIG. 3 represent environmental subject matter of a beverage dispenser, and form no part of the claimed design. The display panel may be a display screen, a display panel with the wine glass images being illuminable, or any other suitable display panel.

The appearance of the image transitions sequentially between the images shown. The process or period in which one image transitions to another forms no part of the claimed design.

1 Claim, 3 Drawing Sheets

(56) **References Cited**
U.S. PATENT DOCUMENTS
D352,668 S * 11/1994 Peersmann D10/15
5,819,225 A * 10/1998 Eastwood G06F 3/167
704/275
D471,226 S * 3/2003 Gray D14/488
D471,227 S * 3/2003 Gray D14/488
D523,442 S * 6/2006 Hiramatsu D14/488
D547,365 S * 7/2007 Reyes D18/27
D559,856 S * 1/2008 Kim D14/486
D571,819 S * 6/2008 Scott D14/487
D607,464 S * 1/2010 Tang D14/485
D677,326 S * 3/2013 Gleasman D18/27
D700,913 S * 3/2014 Kim D14/486
D711,905 S * 8/2014 Morrison D14/486
D721,727 S * 1/2015 Koehn D14/488
D747,349 S * 1/2016 Park D14/492
D754,150 S * 4/2016 Oh D14/485
D757,087 S * 5/2016 Hiramatsu D14/488



(56)

References Cited

U.S. PATENT DOCUMENTS

D801,986 S *	11/2017	Pirklbauer	D14/485	D854,032 S *	7/2019	Jones	D14/486
D803,872 S *	11/2017	Cole	D14/488	D855,075 S *	7/2019	Lehman	D14/491
D804,524 S *	12/2017	Zin	D14/489	D855,076 S *	7/2019	Stevens	D14/491
D806,126 S *	12/2017	Mander	D14/492	D860,219 S *	9/2019	Rasmussen	D14/485
D814,430 S *	4/2018	Flowers	D13/174	D861,707 S *	10/2019	Yang	D14/485
D816,116 S *	4/2018	Selassie	D14/493	D861,727 S *	10/2019	Niven	D14/492
D817,348 S *	5/2018	Ishikawa	D14/486	D861,728 S *	10/2019	Gottle	D14/492
D819,040 S *	5/2018	Grace	D14/485	D864,977 S *	10/2019	Lehmann	D14/485
D819,675 S *	6/2018	Kumar	D14/486	D868,084 S *	11/2019	Shu	D14/486
D823,893 S *	7/2018	Sepulveda	D14/492	D868,827 S *	12/2019	Kwiatkowski	D14/489
D824,935 S *	8/2018	Boutoussov	D14/486	D869,501 S *	12/2019	Lakas	D14/492
D831,696 S *	10/2018	Clarke	D14/489	D870,121 S *	12/2019	Yang	D14/485
D834,591 S *	11/2018	Lehmann	D14/485	D870,151 S *	12/2019	Kretlow	D14/492
D836,659 S *	12/2018	Andrew	D14/486	D871,446 S *	12/2019	Binder	D14/489
D846,565 S *	4/2019	Yang	D14/485	D872,113 S *	1/2020	Hsieh	D14/486
D851,112 S *	6/2019	Papolu	D14/486	D872,275 S *	1/2020	Frenkler	D24/158
D851,122 S *	6/2019	Shu	D14/488	D872,731 S *	1/2020	Wang	D14/485
D852,224 S *	6/2019	Qin	D14/488	D872,766 S *	1/2020	Ive	D14/492
				D873,277 S *	1/2020	Anzures	D14/485
				D873,298 S *	1/2020	Chen	D14/490

* cited by examiner

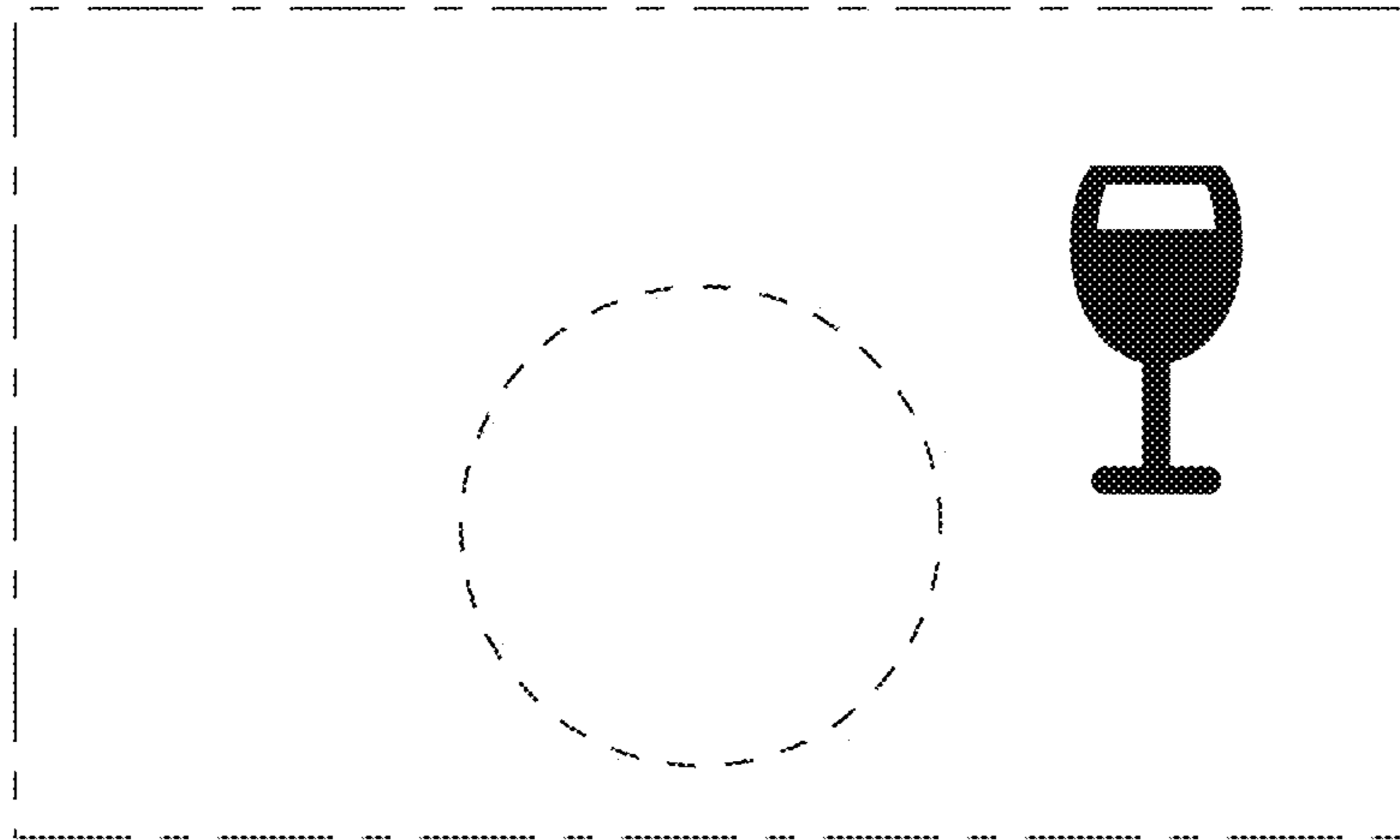


FIG. 1

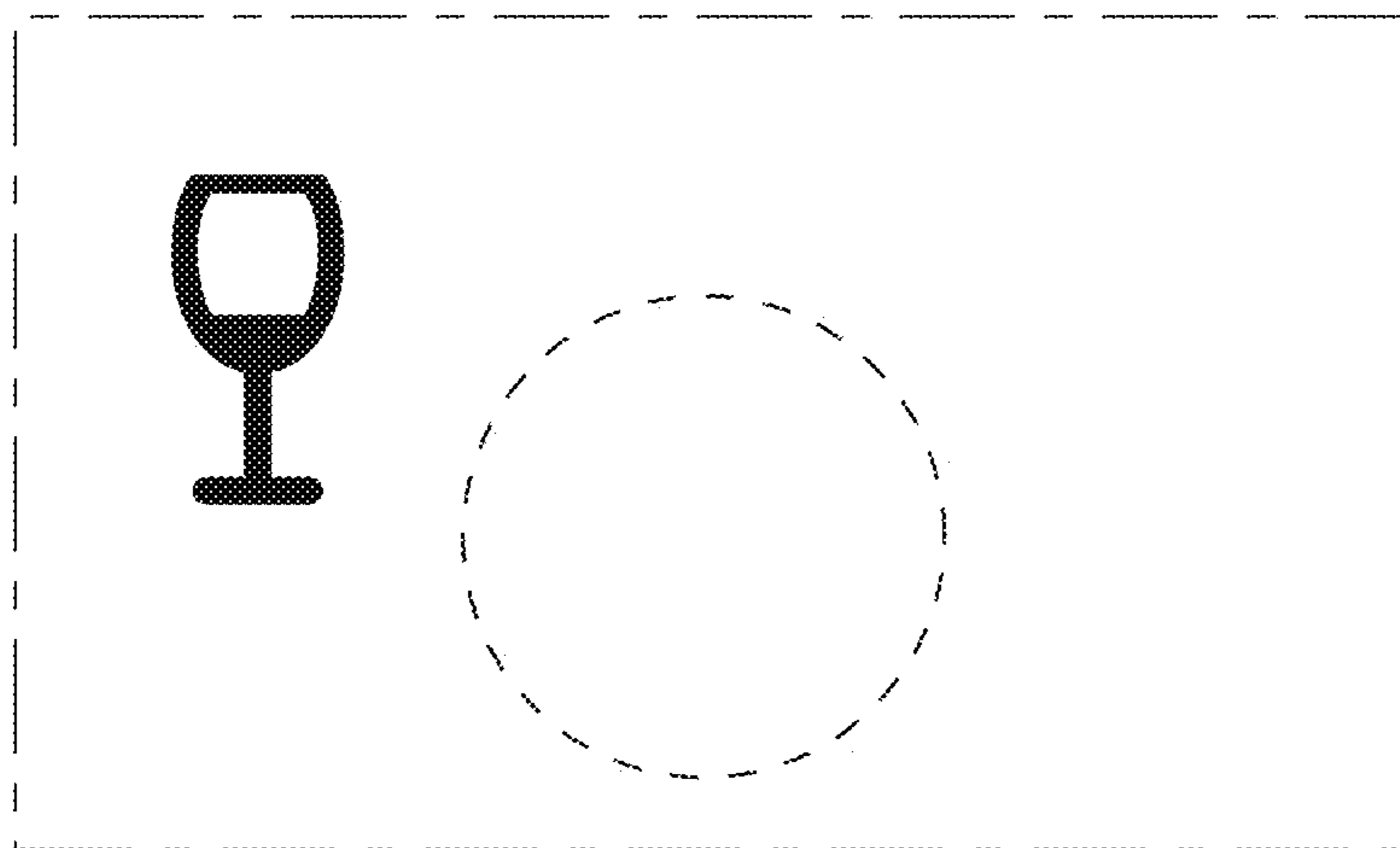


FIG. 2

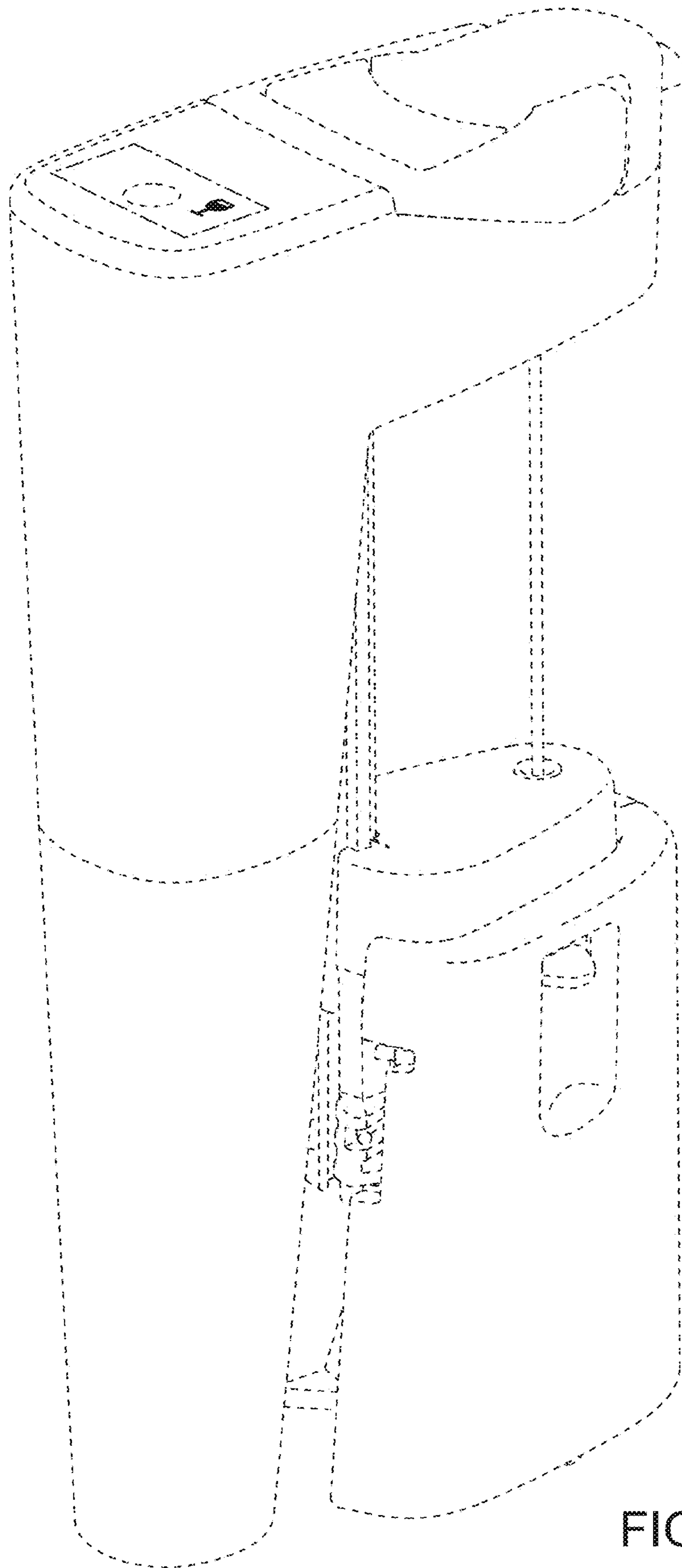


FIG. 3