



US00D886832S

(12) **United States Design Patent** (10) **Patent No.:** **US D886,832 S**
Schuler et al. (45) **Date of Patent:** **** Jun. 9, 2020**

(54) **DISPLAY SCREEN OR A PORTION THEREOF WITH A GRAPHICAL USER INTERFACE**

(71) Applicant: **Schuler-Haas Electric Corp.,**
Rochester, NY (US)

(72) Inventors: **Edward Timothy Schuler,** Rochester, NY (US); **Daniel Jonathan Streicher,** Victor, NY (US); **Kevin Michael Rickett,** Bloomfield, NY (US); **Gregory Doble Cummins,** Rochester, NY (US)

(73) Assignee: **Schuler-Haas Electric Corp.,**
Rochester, NY (US)

(**) Term: **15 Years**

(21) Appl. No.: **29/619,789**

(22) Filed: **Oct. 2, 2017**

(51) **LOC (12) Cl.** **14-04**

(52) **U.S. Cl.**
USPC **D14/485**

(58) **Field of Classification Search**
USPC D14/485-495
CPC G06F 17/211; G06F 17/212; G06F 3/1251;
G06F 3/0481; G06F 2203/04807
See application file for complete search history.

(56) **References Cited**

U.S. PATENT DOCUMENTS

D525,981 S *	8/2006	Hally	D14/485
D562,843 S *	2/2008	Fletcher	D14/488
D598,467 S *	8/2009	Syme	D14/491
D606,551 S *	12/2009	Willis	D14/491
D650,788 S *	12/2011	Marks	D14/487
D665,409 S *	8/2012	Gupta	D14/488
D673,174 S *	12/2012	Carpenter	D14/489
D677,690 S *	3/2013	Phelan	D14/487

D684,182 S *	6/2013	Phelan	D14/489
D689,904 S *	9/2013	Aoshima	D14/489
D697,531 S *	1/2014	Phelan	D14/489
D705,258 S *	5/2014	Gerssen	D14/491
D705,259 S *	5/2014	Gerssen	D14/491
D763,288 S *	8/2016	Mistry	D14/486
D764,491 S *	8/2016	Green	D14/485
D768,193 S *	10/2016	Choi	D14/491
D785,045 S *	4/2017	Coffman	D14/492
D788,814 S *	6/2017	Ashley-Rollman	D14/489
D791,158 S *	7/2017	Shiino	D14/486
D797,804 S *	9/2017	Sakuma	D14/488
D802,017 S *	11/2017	Dragoi	D14/491
D803,880 S *	11/2017	Hohne	D14/492
9,911,123 B2 *	3/2018	Van Os	G06Q 20/40
D820,869 S *	6/2018	Kumar	D14/486
9,999,019 B2 *	6/2018	Jeong	H04W 68/02
D823,340 S *	7/2018	Seo	D14/491
D823,884 S *	7/2018	Stringham	D14/487
D824,401 S *	7/2018	Ali	D14/485
D833,475 S *	11/2018	Sakuma	D14/488
D835,116 S *	12/2018	Taylor	D14/485
D836,652 S *	12/2018	Fowler	D14/486
D836,672 S *	12/2018	Gehiere	D14/491
D845,316 S *	4/2019	Li	D14/486

(Continued)

Primary Examiner — Daniel J Domino

(74) *Attorney, Agent, or Firm* — Nixon Peabody LLP

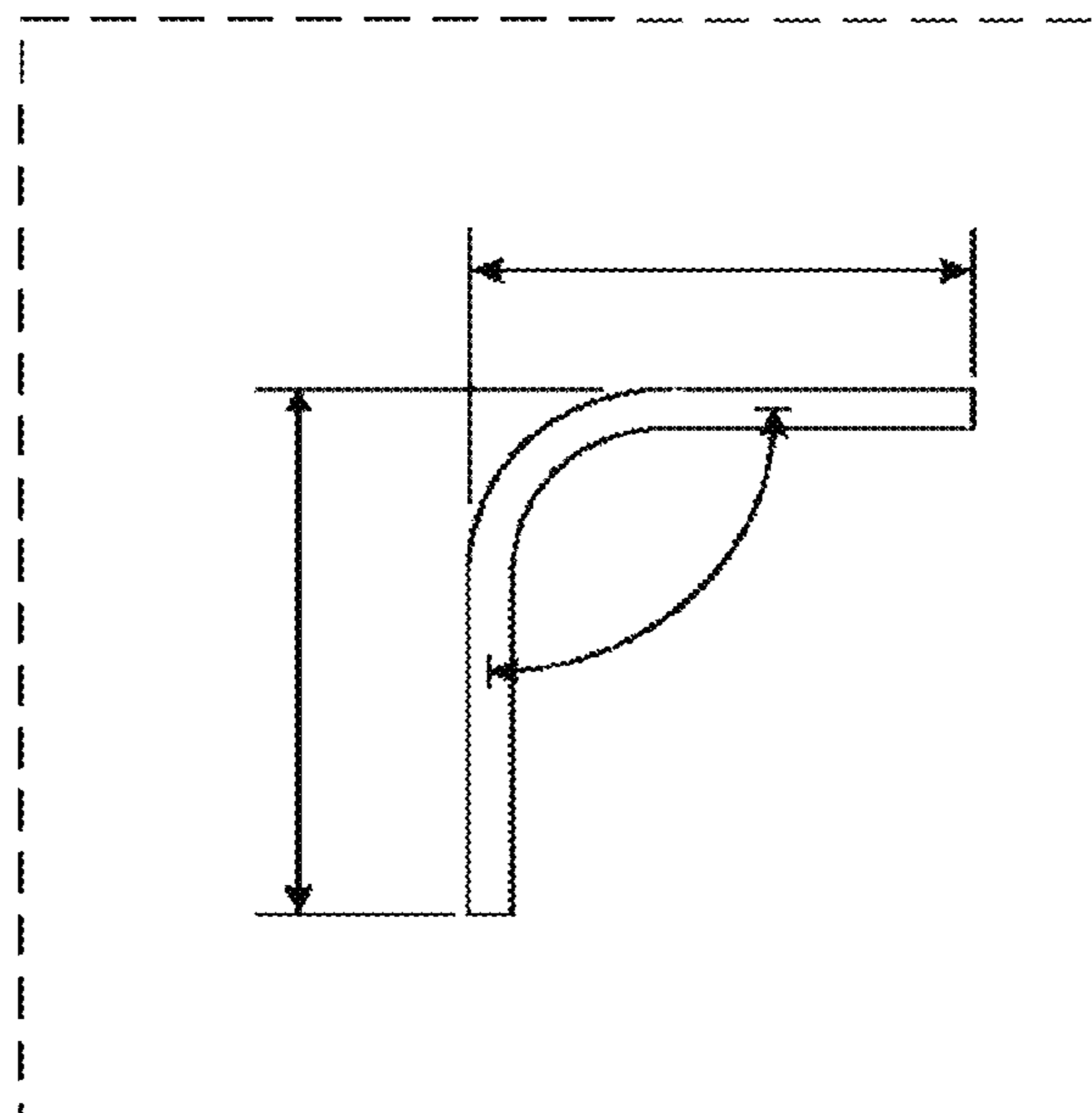
(57) **CLAIM**

The ornamental design for a display screen or a portion thereof with a graphical user interface, as shown and described.

DESCRIPTION

The FIGURE is a front view of a display screen or a portion thereof with a graphical user interface. The broken lines showing a display screen or portion thereof illustrate portions of the article, and form no part of the claimed design.

1 Claim, 1 Drawing Sheet



(56)

References Cited

U.S. PATENT DOCUMENTS

D855,077 S * 7/2019 Sin D14/492
2011/0173554 A1 * 7/2011 Niles G06F 3/04815
715/769

* cited by examiner

