



US00D886827S

(12) **United States Design Patent**
Zhang et al.

(10) **Patent No.:** **US D886,827 S**

(45) **Date of Patent:** **** Jun. 9, 2020**

(54) **DOCKING STATION**

(71) Applicant: **Ugreen Group Limited**, Shenzhen (CN)

(72) Inventors: **Qingsen Zhang**, Shenzhen (CN);
Junling Chen, Shenzhen (CN);
Jianqiang Liang, Shenzhen (CN)

(**) Term: **15 Years**

(21) Appl. No.: **29/659,699**

(22) Filed: **Aug. 10, 2018**

(30) **Foreign Application Priority Data**

May 2, 2018 (CN) 2018 3 0192383

(51) **LOC (12) Cl.** **14-02**

(52) **U.S. Cl.**
USPC **D14/434**

(58) **Field of Classification Search**
USPC ... D14/434, 433, 435, 435.1, 356, 357, 358,
D14/440, 447, 251-253, 432, 451, 452,
D14/454, 140, 142, 149, 217, 240, 299,
D14/496, 171; D13/103, 107, 108, 118,
D13/119, 184, 110, 123, 133, 135;
D21/333

CPC G06F 1/1632; G06F 13/00; H02J 7/0042;
H02J 7/0027; H02J 7/0044; H02J 7/0045;
H01M 10/44; F16M 11/10; F16M 11/20

See application file for complete search history.

(56) **References Cited**

U.S. PATENT DOCUMENTS

D495,336 S * 8/2004 Andre D14/434
D532,005 S * 11/2006 Leith D14/253
D551,214 S * 9/2007 Hussaini D14/217
D551,658 S * 9/2007 Hussaini D14/217
D558,739 S * 1/2008 Andre D14/217
D559,849 S * 1/2008 Siu D14/433
D579,917 S * 11/2008 Marchand D14/217
D592,187 S * 5/2009 Ledbetter D14/217

D596,162 S * 7/2009 Selvaraj D14/168
D596,621 S * 7/2009 Andre D14/217
D598,896 S * 8/2009 Garrett D14/171
D599,784 S * 9/2009 Hansen D14/217
D608,343 S * 1/2010 Skurdal D14/204

(Continued)

FOREIGN PATENT DOCUMENTS

CN 208157724 U * 11/2018

OTHER PUBLICATIONS

Docks and chargers. (Design—© Questel) orbit.com. [online PDF] 20 pgs. Print Dates range Sep. 17, 2012 through Aug. 20, 2019 [Retrieved on Dec. 3, 2019] <https://sobjprd.questel.fr/export/QPTUJ214/pdf2/572d7100-72ba-40c9-bc81-faa3b42a9906-014051.pdf>.*

(Continued)

Primary Examiner — Marie D. Fast Horse

(74) *Attorney, Agent, or Firm* — ZanIP

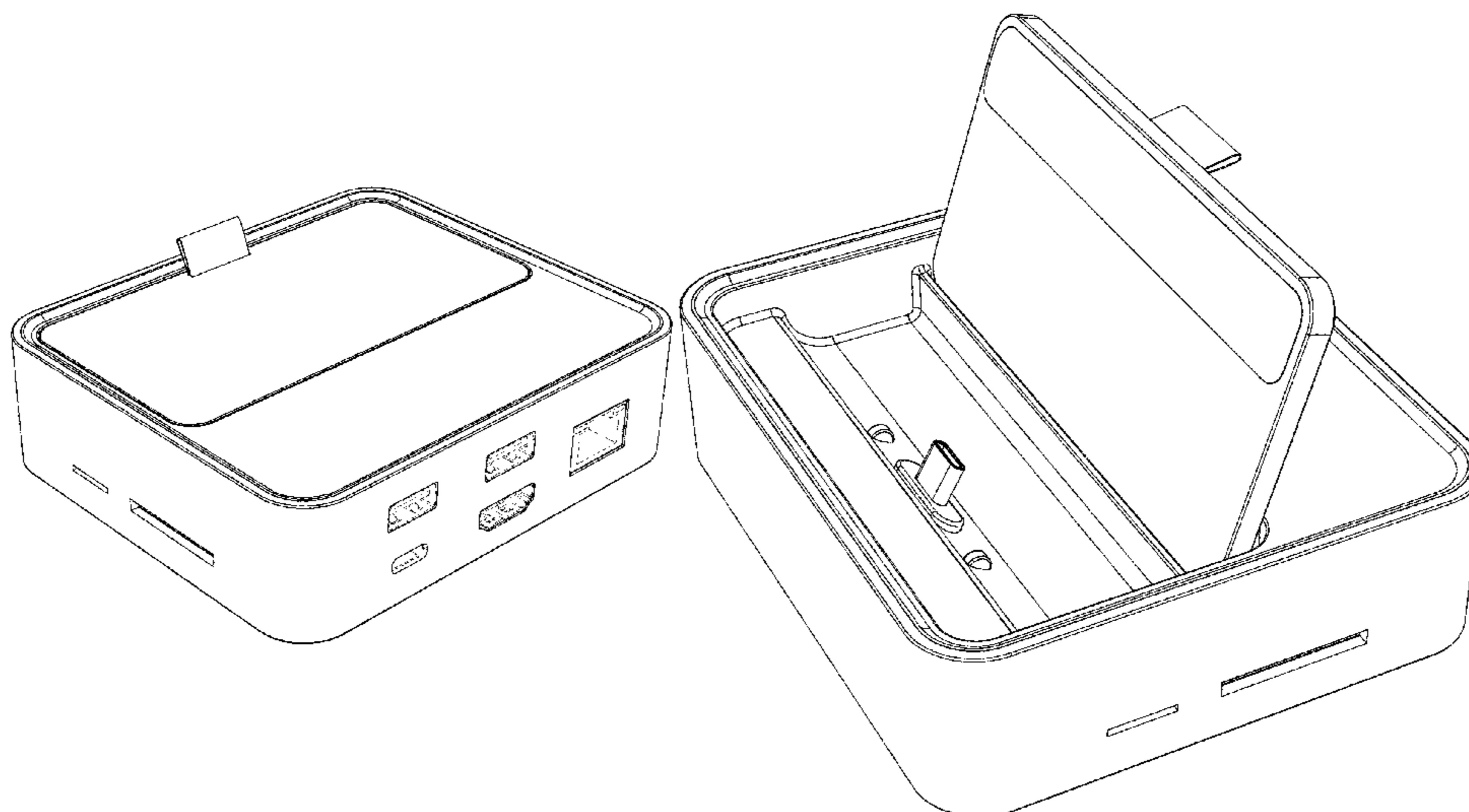
(57) **CLAIM**

The ornamental design for a docking station, as shown and described.

DESCRIPTION

FIG. 1 is a Rear Perspective view of a docking station showing our new design;
FIG. 2 is a Perspective view thereof, showing a state in which the docking station of FIG. 1 is used;
FIG. 3 is a Front elevational view of the docking station of FIG. 1;
FIG. 4 is a Rear elevational view thereof;
FIG. 5 is a Right side view thereof;
FIG. 6 is a Left side view thereof;
FIG. 7 is a Top plan view thereof; and,
FIG. 8 is a Bottom plan view thereof.
The broken lines in the drawing depict portions of docking station that form no part of the claimed design.

1 Claim, 8 Drawing Sheets



(56)

References Cited

U.S. PATENT DOCUMENTS

7,643,283	B2 *	1/2010	Jubelirer	G06F 1/1632 361/679.41
D648,270	S *	11/2011	Jiang	D13/103
D648,707	S *	11/2011	Akana	D14/217
D649,137	S *	11/2011	DeVesto	D13/108
D659,637	S *	5/2012	Hwang	D13/108
D660,794	S *	5/2012	Fahrendorff	D13/108
D662,471	S *	6/2012	Fahrendorff	D13/108
D667,411	S *	9/2012	Kim	D14/434
D687,377	S *	8/2013	Huang	D13/108
D711,885	S *	8/2014	Ohshima	D14/434
D713,334	S *	9/2014	Mao	D13/103
D721,034	S *	1/2015	Sul	D13/108
D726,690	S *	4/2015	Andre	D14/217
D746,823	S *	1/2016	Lai	D14/434
D806,712	S *	1/2018	Cebe	D14/434
D844,619	S *	4/2019	Wendling	D14/434
D858,530	S *	9/2019	Liao	D14/434
2006/0250764	A1 *	11/2006	Howarth	G06F 1/1632 361/679.41
2013/0217448	A1 *	8/2013	Kim	H04M 1/0254 455/575.1

OTHER PUBLICATIONS

Docking Station_product-image-904820266_300x. [online image]
 1 pg. [Retrieved on Dec. 3, 2019] https://cdn.shopify.com/s/files/1/0045/7647/7218/products/product-image-904820266_300x.jpg?v=1570730775.*

* cited by examiner

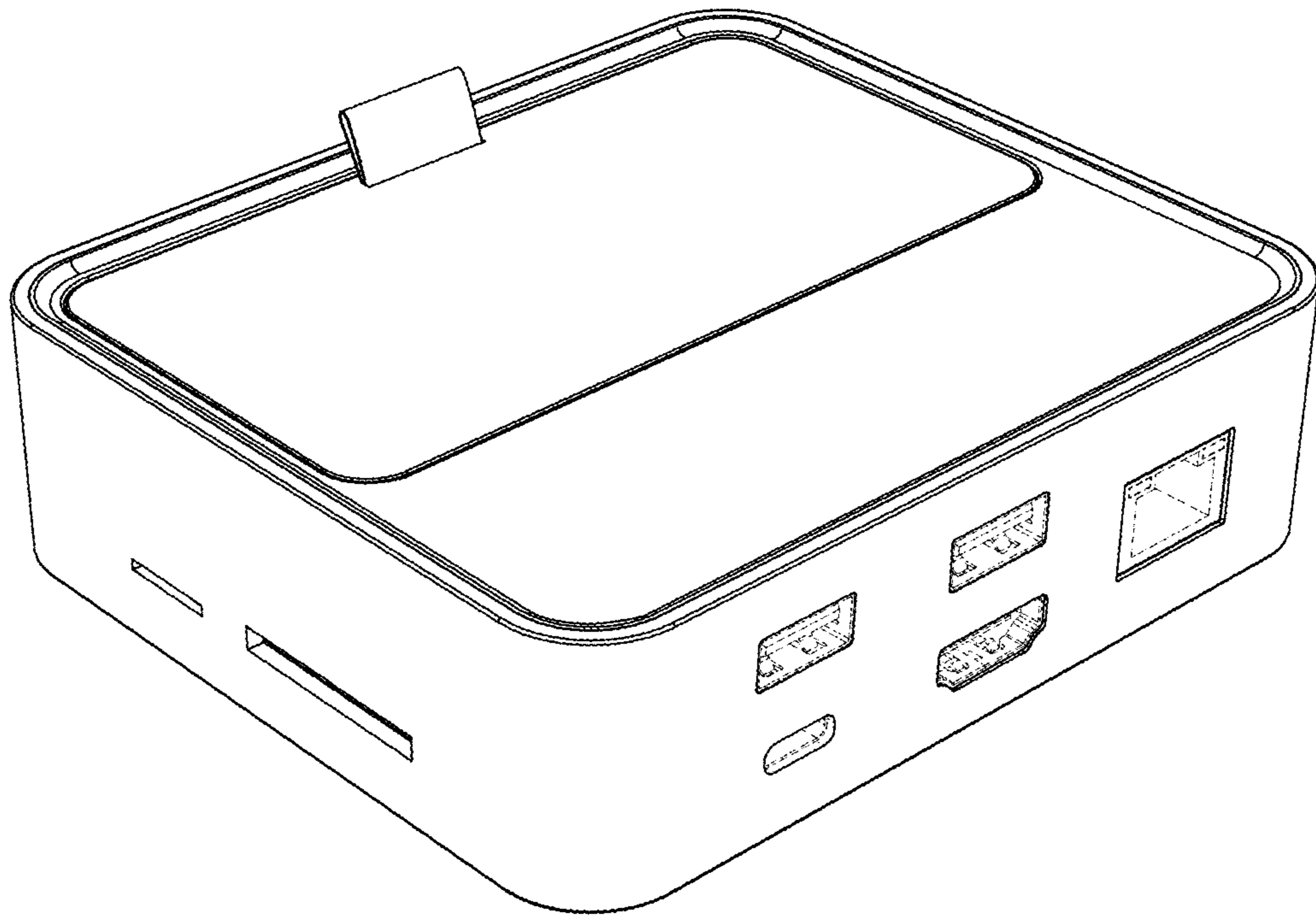


FIG. 1

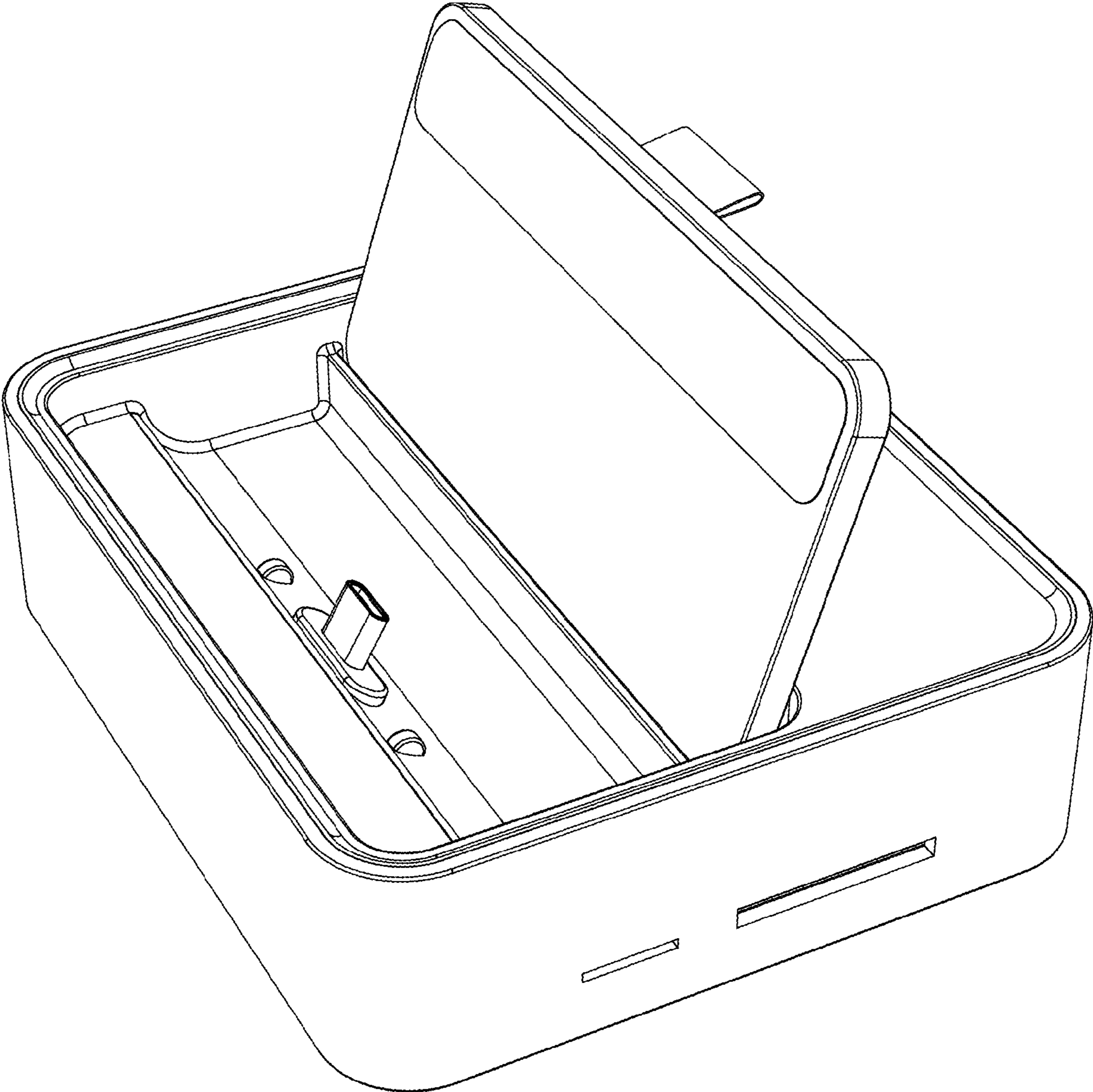


FIG. 2

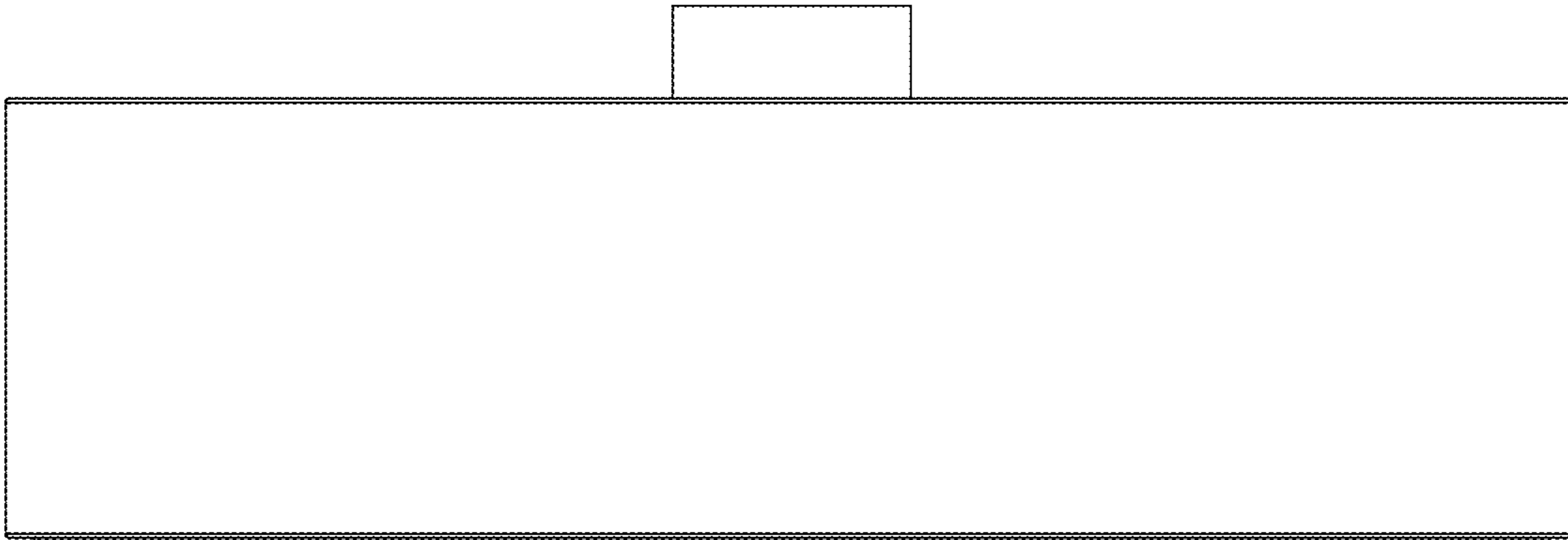


FIG. 3

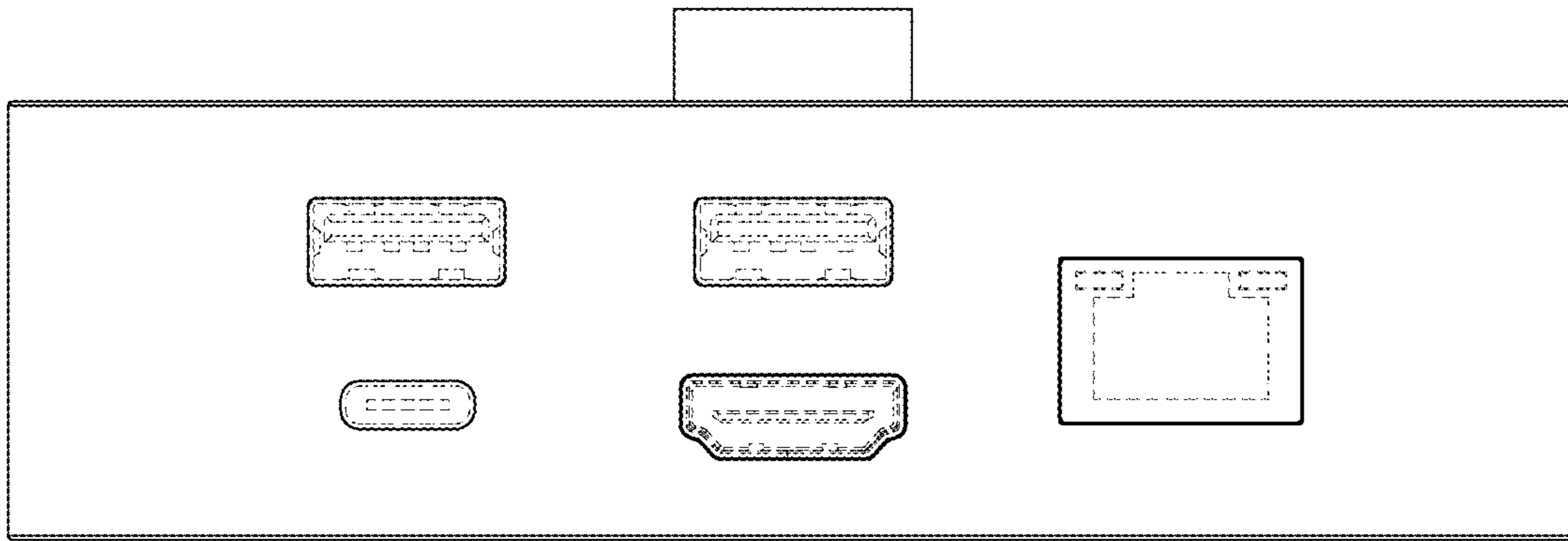


FIG. 4

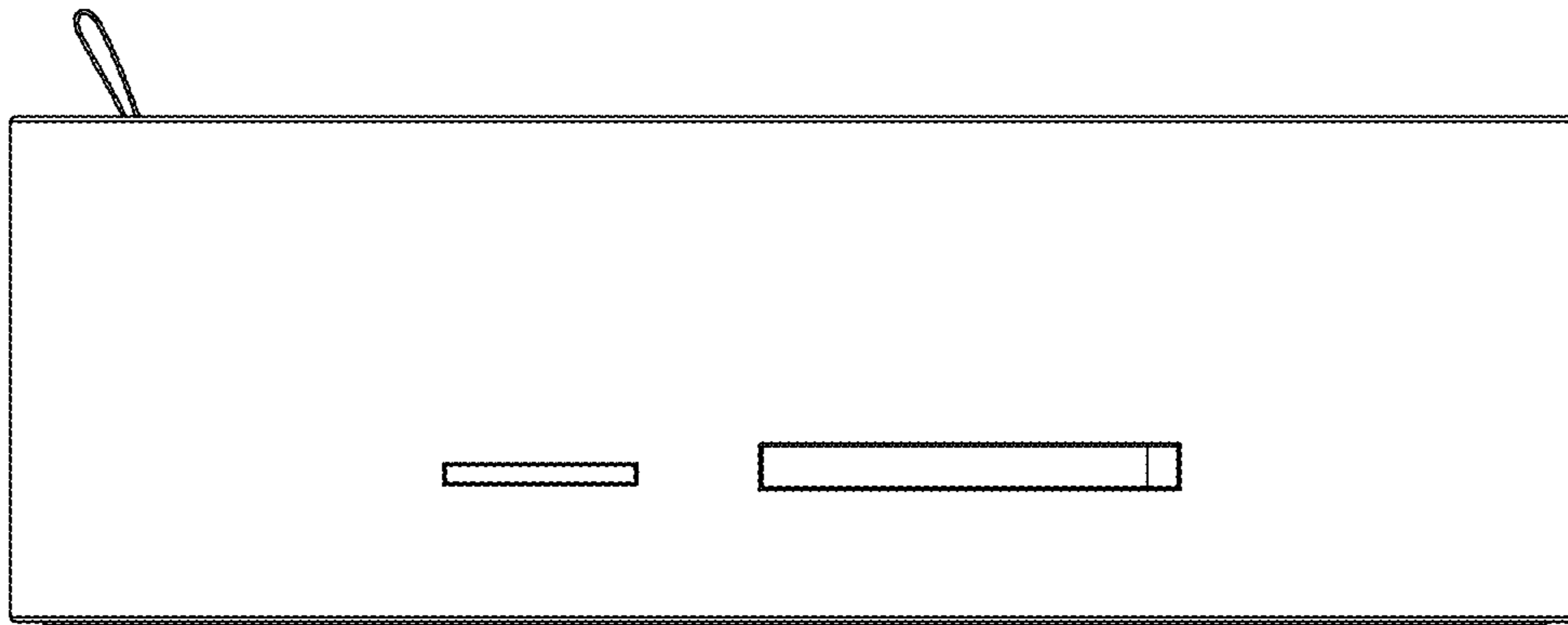


FIG. 5

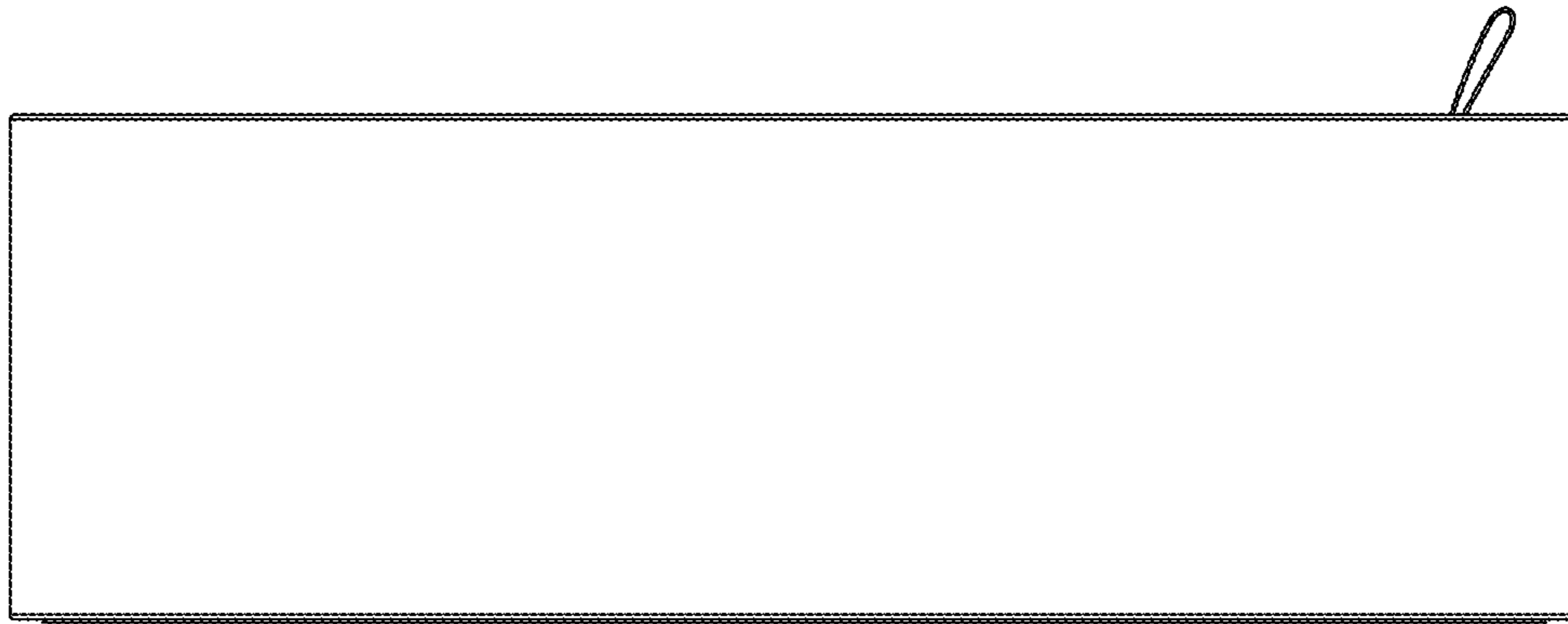


FIG. 6

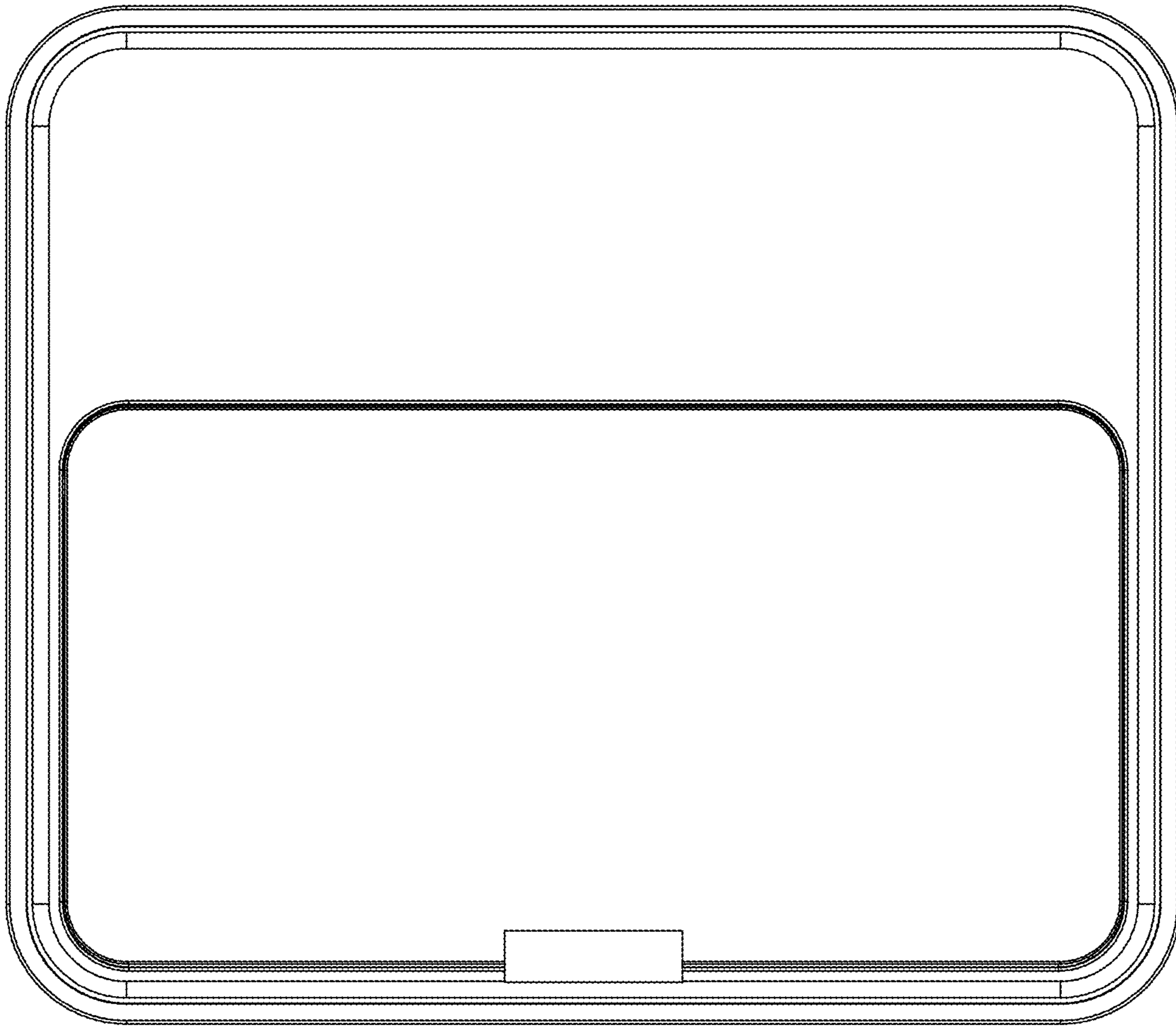


FIG. 7

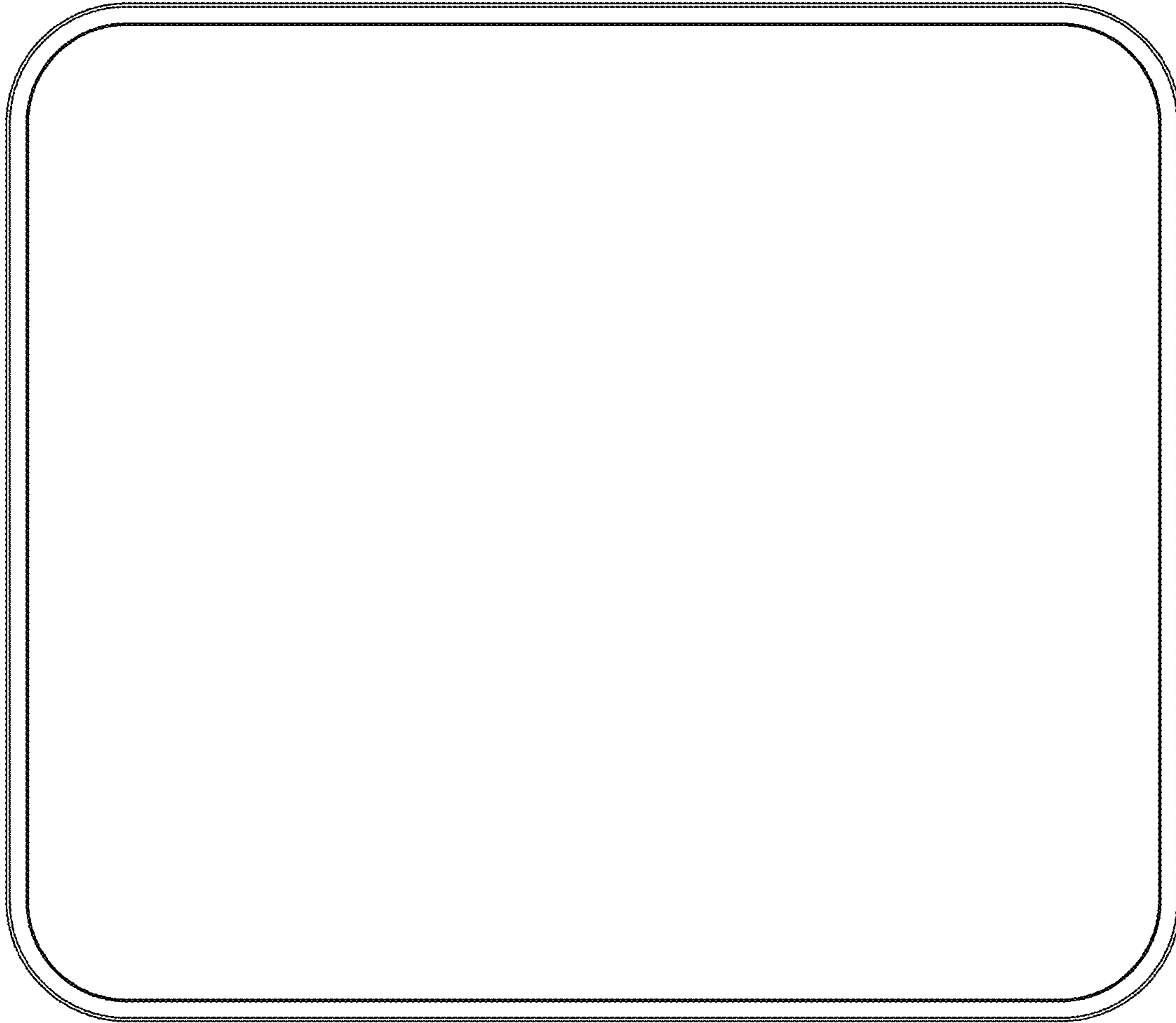


FIG. 8