



US00D886826S

(12) **United States Design Patent**
Zhan

(10) **Patent No.:** **US D886,826 S**

(45) **Date of Patent:** **** Jun. 9, 2020**

(54) **USB HUB**

(71) Applicant: **James Zhan**, Zhangjiajie (CN)

(72) Inventor: **James Zhan**, Zhangjiajie (CN)

(73) Assignee: **Shenzhen CQITeng Electronics Co., Ltd**, Shenzhen (CN)

(**) Term: **15 Years**

(21) Appl. No.: **29/662,134**

(22) Filed: **Sep. 3, 2018**

(51) **LOC (12) Cl.** **14-99**

(52) **U.S. Cl.**
USPC **D14/433**

(58) **Field of Classification Search**
USPC D14/240, 242, 356, 357, 358, 378, 383,
D14/384, 385, 386, 433, 434, 435.1,
D14/480.1, 480.4, 480.5; D13/103, 107,
D13/108, 110, 146; D18/12, 12.1, 12.3
CPC H01R 25/003; H01R 25/006; H01R 27/02;
H01R 31/005; H01R 13/60; H01R
13/6658; H01R 13/72; G06F 1/1607;
G06F 1/1632; G06F 1/1684; G06F
13/382; G06F 13/4022
See application file for complete search history.

(56) **References Cited**

U.S. PATENT DOCUMENTS

D365,340 S * 12/1995 Hill D14/356
D609,076 S * 2/2010 Stevenson D8/330

D663,300 S * 7/2012 Kim D14/407
D709,892 S * 7/2014 Lui D14/433
D711,884 S * 8/2014 Turksu D14/433
D729,800 S * 5/2015 Kitano D14/383
D786,885 S * 5/2017 Eliyahu D14/480.1
D788,112 S * 5/2017 Liao D14/433
D791,138 S * 7/2017 Eliyahu D14/435.1
D798,811 S * 10/2017 Liao D13/110
D855,054 S * 7/2019 Turksu D14/433
D856,278 S * 8/2019 Turksu D13/108
D862,385 S * 10/2019 Turksu D13/108

* cited by examiner

Primary Examiner — Jeffrey D Asch
Assistant Examiner — Rebekah A Caruso

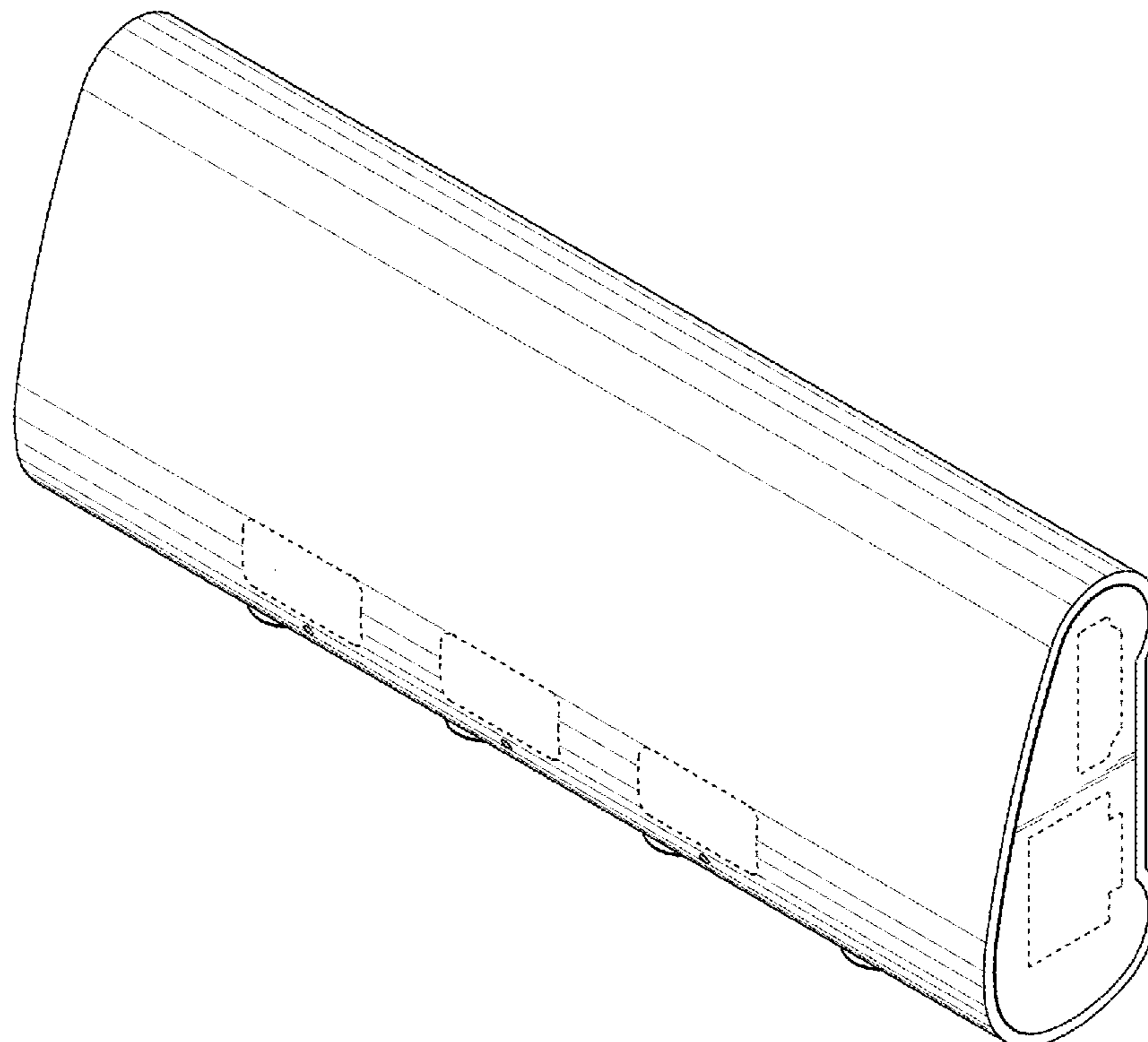
(57) **CLAIM**

The ornamental design for a USB hub, as shown and described.

DESCRIPTION

FIG. 1 is a front perspective view of a USB hub showing my new design;
FIG. 2 is a front elevational view thereof;
FIG. 3 is a rear elevational view thereof;
FIG. 4 is a left side elevational view thereof;
FIG. 5 is a right side elevational view thereof;
FIG. 6 is a top plan view thereof; and,
FIG. 7 is a bottom plan view thereof.
The broken lines in figures depict the portions of the USB hub that form no parts of the claimed design.

1 Claim, 5 Drawing Sheets



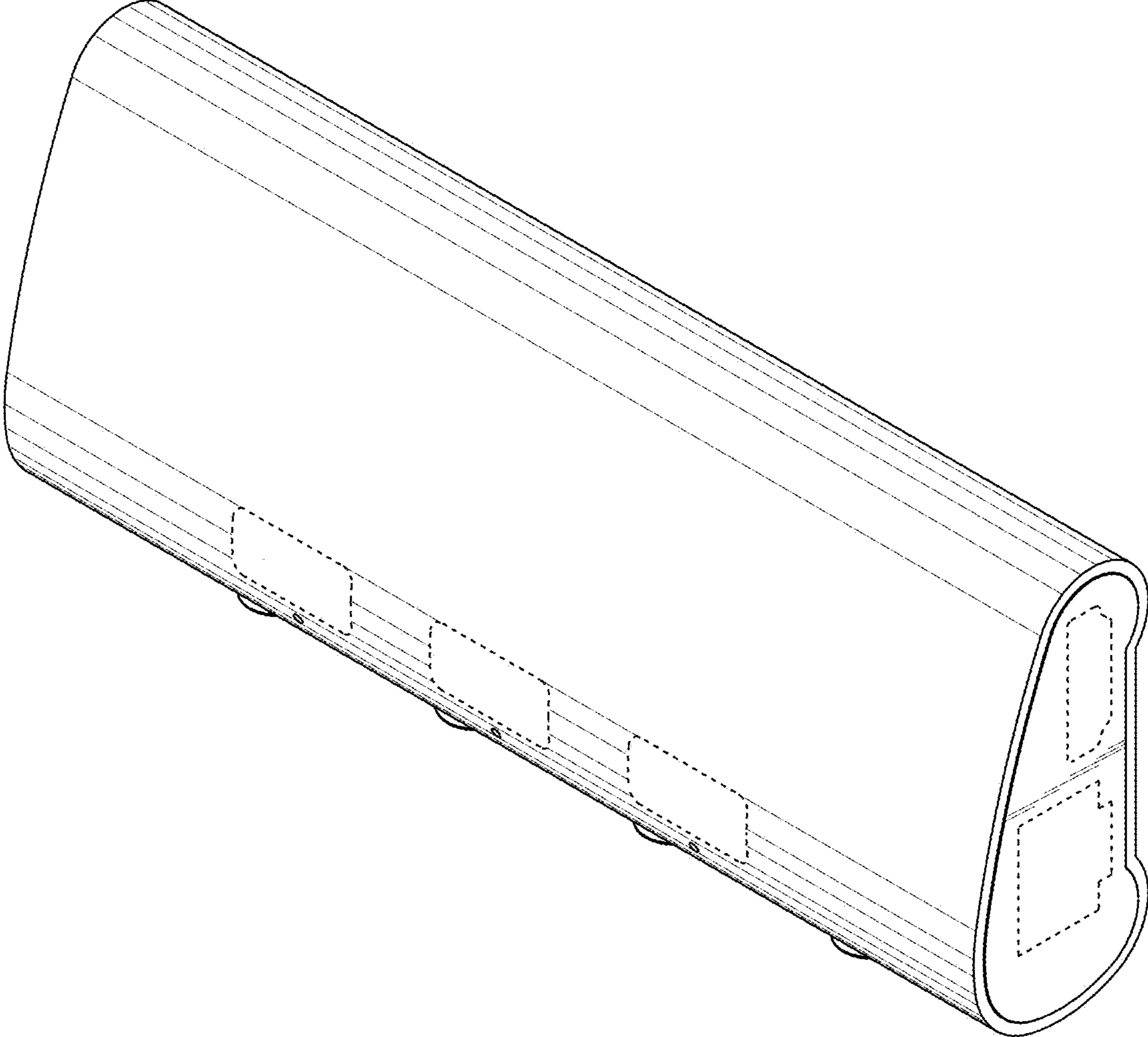


FIG.1

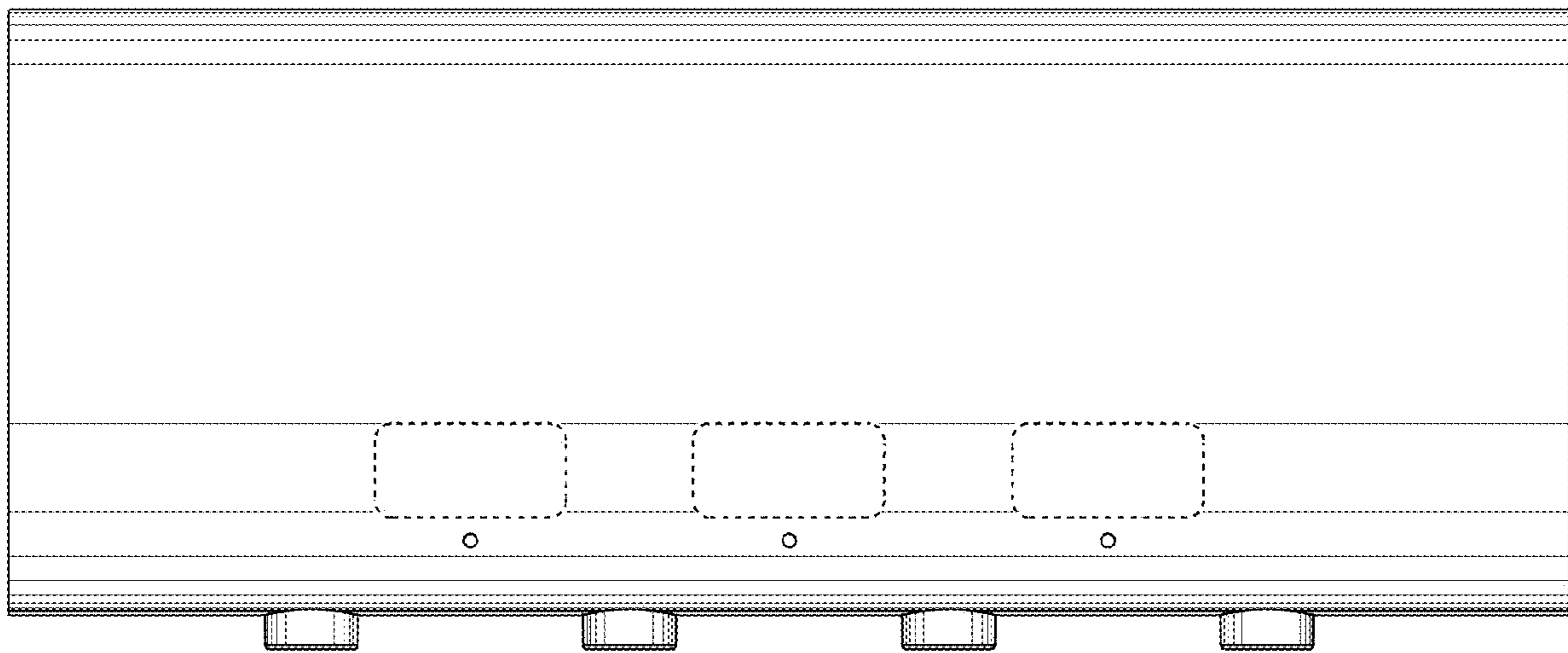


FIG.2

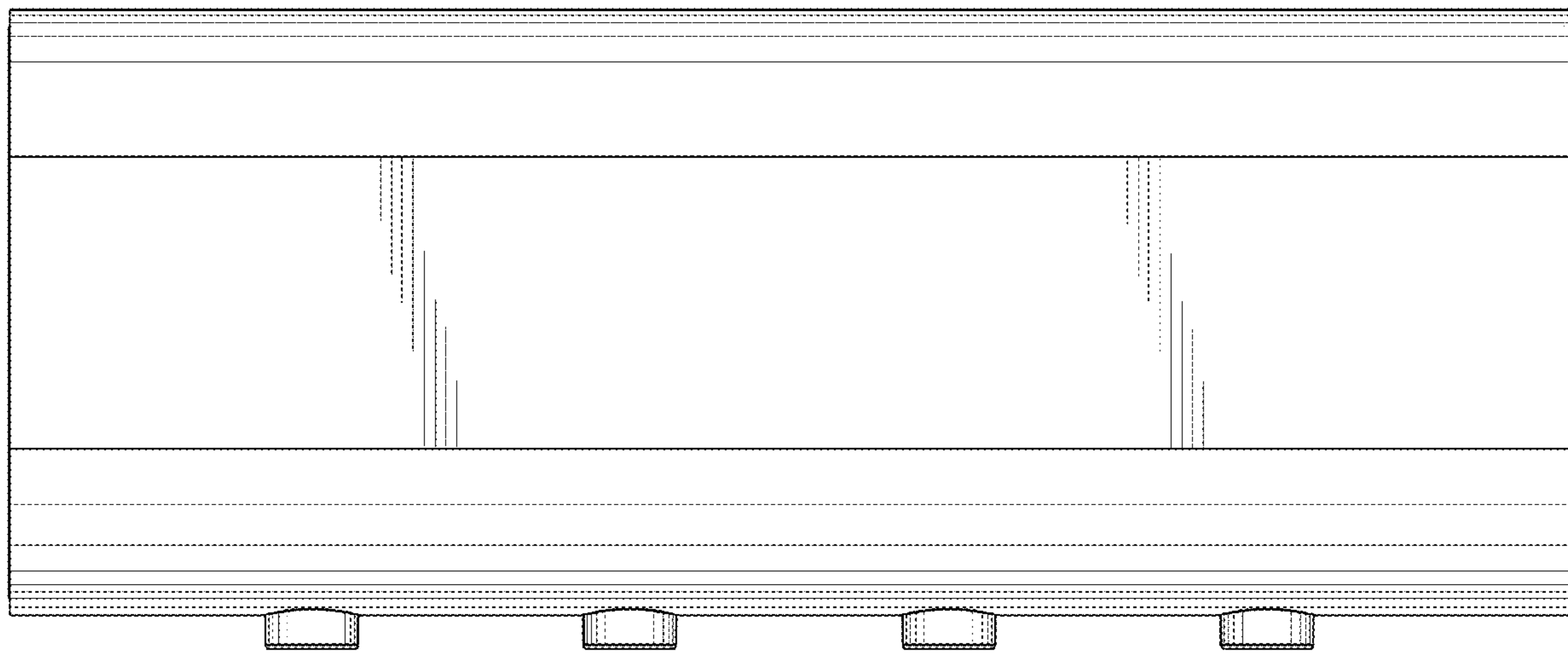


FIG.3

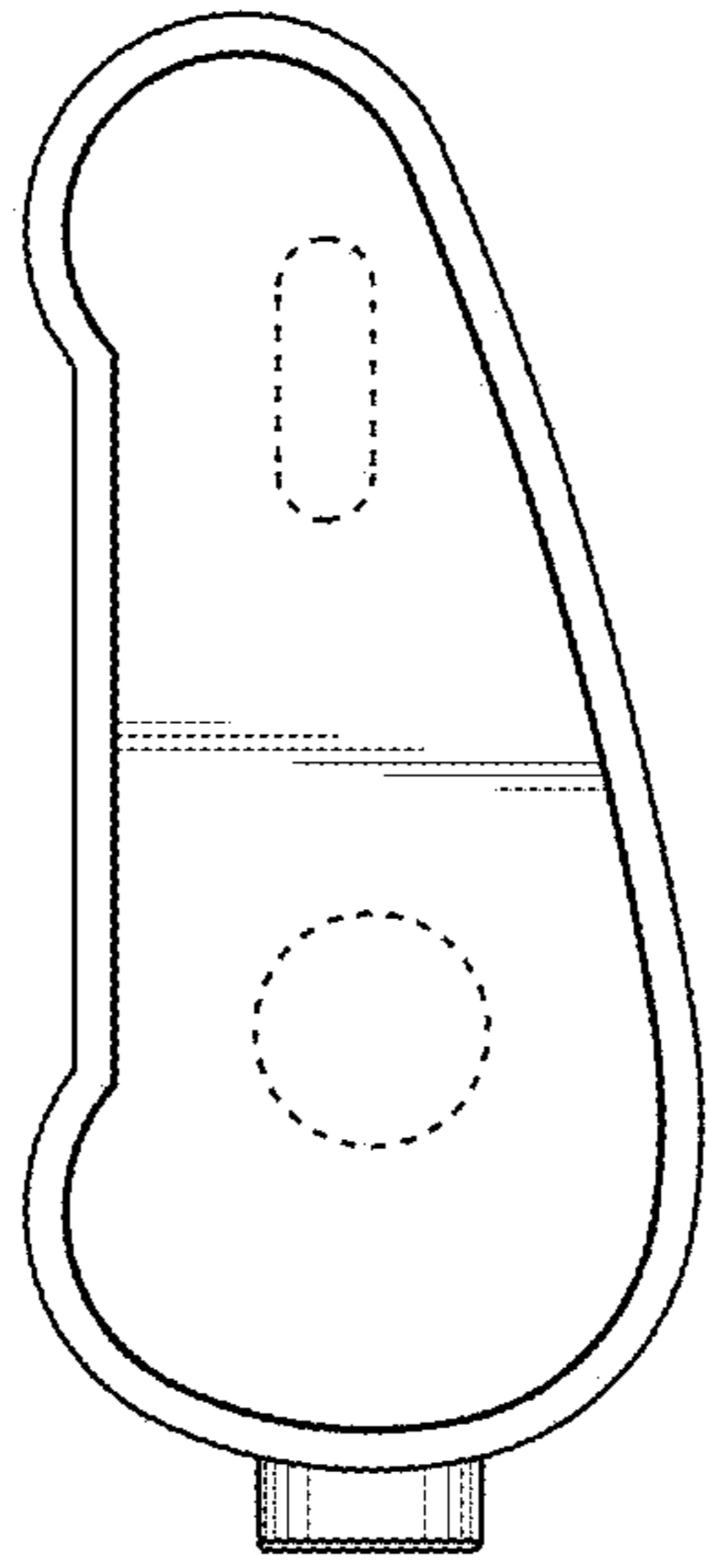


FIG. 4

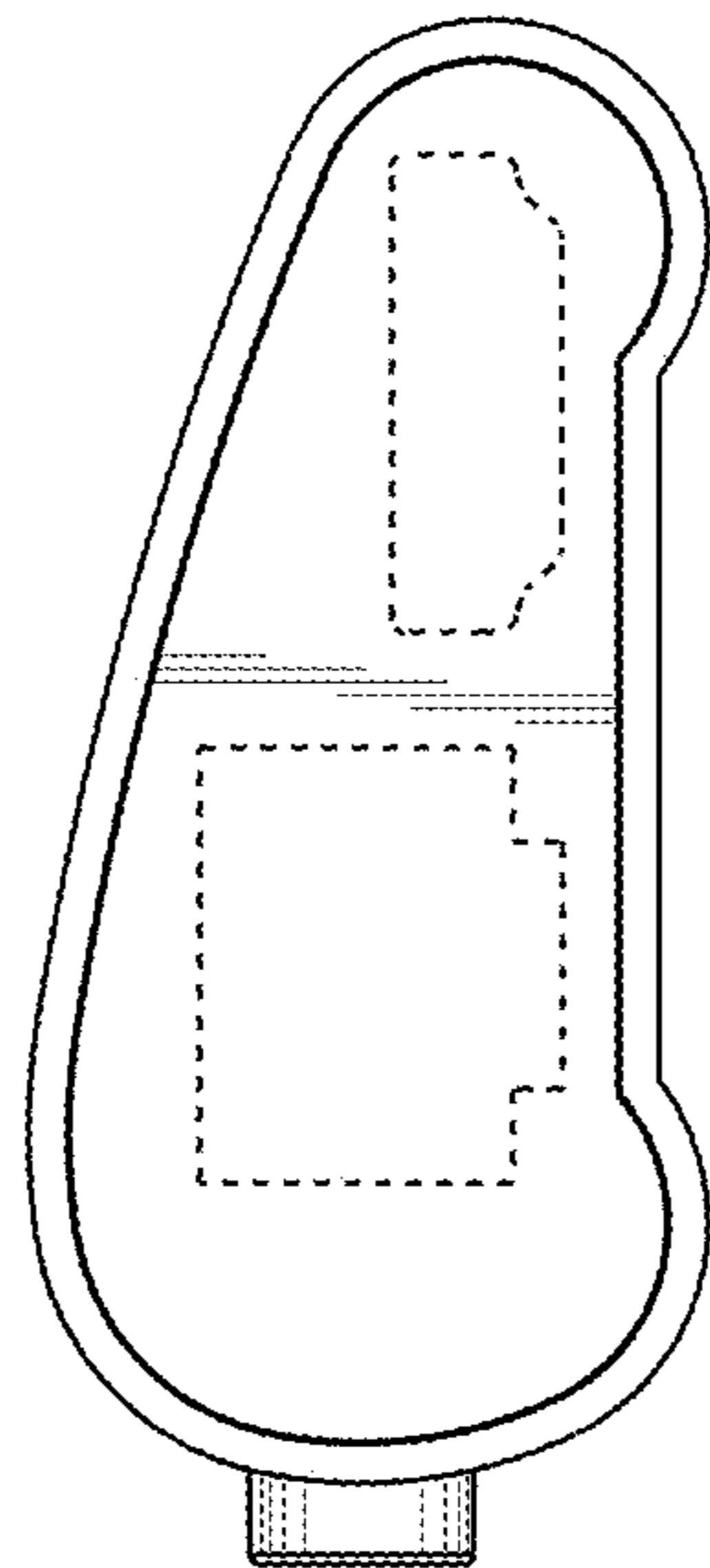


FIG. 5

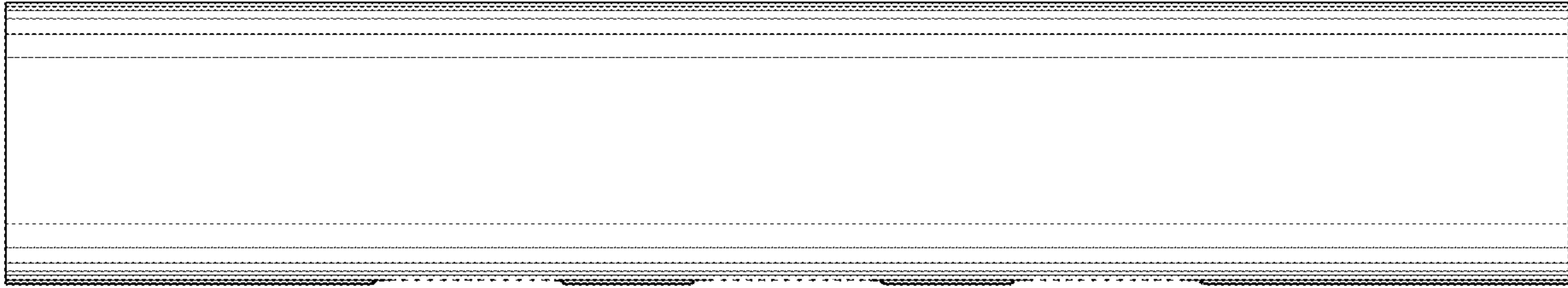


FIG. 6

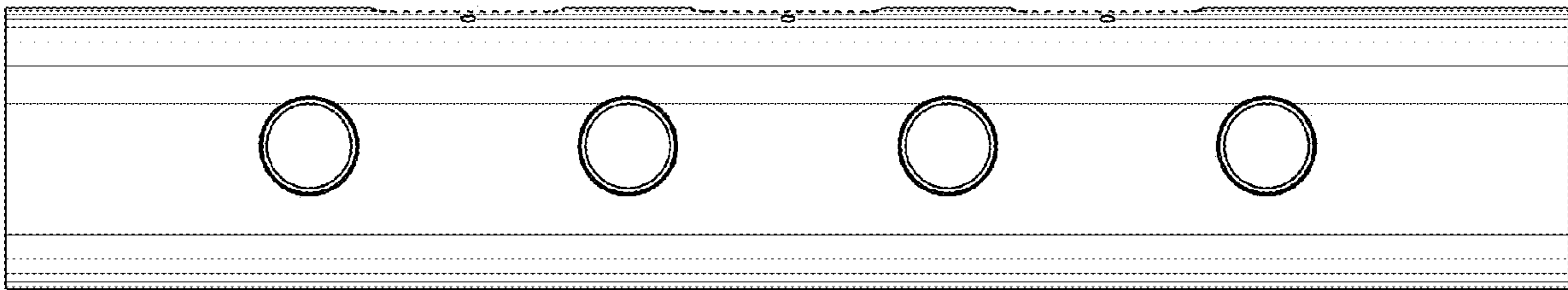


FIG. 7