



US00D886825S

(12) **United States Design Patent**
Zhang et al.

(10) **Patent No.:** **US D886,825 S**
(45) **Date of Patent:** **** Jun. 9, 2020**

(54) **USB-C ADAPTER**

(71) Applicant: **Ugreen Group Limited**, Shenzhen (CN)

(72) Inventors: **Qingsen Zhang**, Shenzhen (CN);
Junling Chen, Shenzhen (CN); **Bolin Luo**, Shenzhen (CN)

(**) Term: **15 Years**

(21) Appl. No.: **29/658,416**

(22) Filed: **Jul. 31, 2018**

(30) **Foreign Application Priority Data**

Feb. 1, 2018 (CN) 2018 3 0049200

(51) **LOC (12) Cl.** **14-99**

(52) **U.S. Cl.**
USPC **D14/433**

(58) **Field of Classification Search**
USPC D14/240, 242, 356, 357, 358, 378, 383,
D14/384, 385, 386, 433, 434, 435.1,
D14/480.1, 480.3, 480.4, 480.5, 480.6,
D14/480.7; D13/103, 107, 108, 110, 146;
D18/12, 12.1, 12.3
CPC H01R 25/003; H01R 25/006; H01R 27/02;
H01R 31/005; H01R 13/60; H01R
13/6658; H01R 13/72; G06F 1/1607;
G06F 1/1632; G06F 1/1684; G06F 1/266;
G06F 11/325; G06F 13/00; G06F 13/12;
G06F 13/14; G06F 13/20; G06F 13/382;
G06F 13/4022; G06F 9/4413
See application file for complete search history.

(56) **References Cited**

U.S. PATENT DOCUMENTS

D762,169 S * 7/2016 Lei D13/108
D798,811 S * 10/2017 Liao D13/110
D807,290 S * 1/2018 Liao D13/110

D813,875 S * 3/2018 Liao D14/434
D828,354 S * 9/2018 Chuang D14/433
D828,839 S * 9/2018 Zhang D14/433
D828,840 S * 9/2018 Zhang D14/433
D828,841 S * 9/2018 Zhang D14/433
D838,241 S * 1/2019 Xie D13/108
D839,876 S * 2/2019 Turksu D14/435.1
D843,316 S * 3/2019 Zhou D13/108
D844,618 S * 4/2019 Liao D14/434
D847,139 S * 4/2019 Wang D14/433
D853,322 S * 7/2019 Xu D13/108
D853,397 S * 7/2019 Wang D14/435.1
D854,020 S * 7/2019 Liao D14/434

(Continued)

OTHER PUBLICATIONS

Ugreen 4-Port USB C 3.0 Hub, online, no post date, URL: <https://www.ugreen.com.cn/collections/usb-hub/products/4-port-usb-c-3-0-hub>, retrieved Feb. 10, 2020.*

(Continued)

Primary Examiner — Jeffrey D Asch
Assistant Examiner — Rebekah A Caruso
(74) *Attorney, Agent, or Firm* — ZANIP

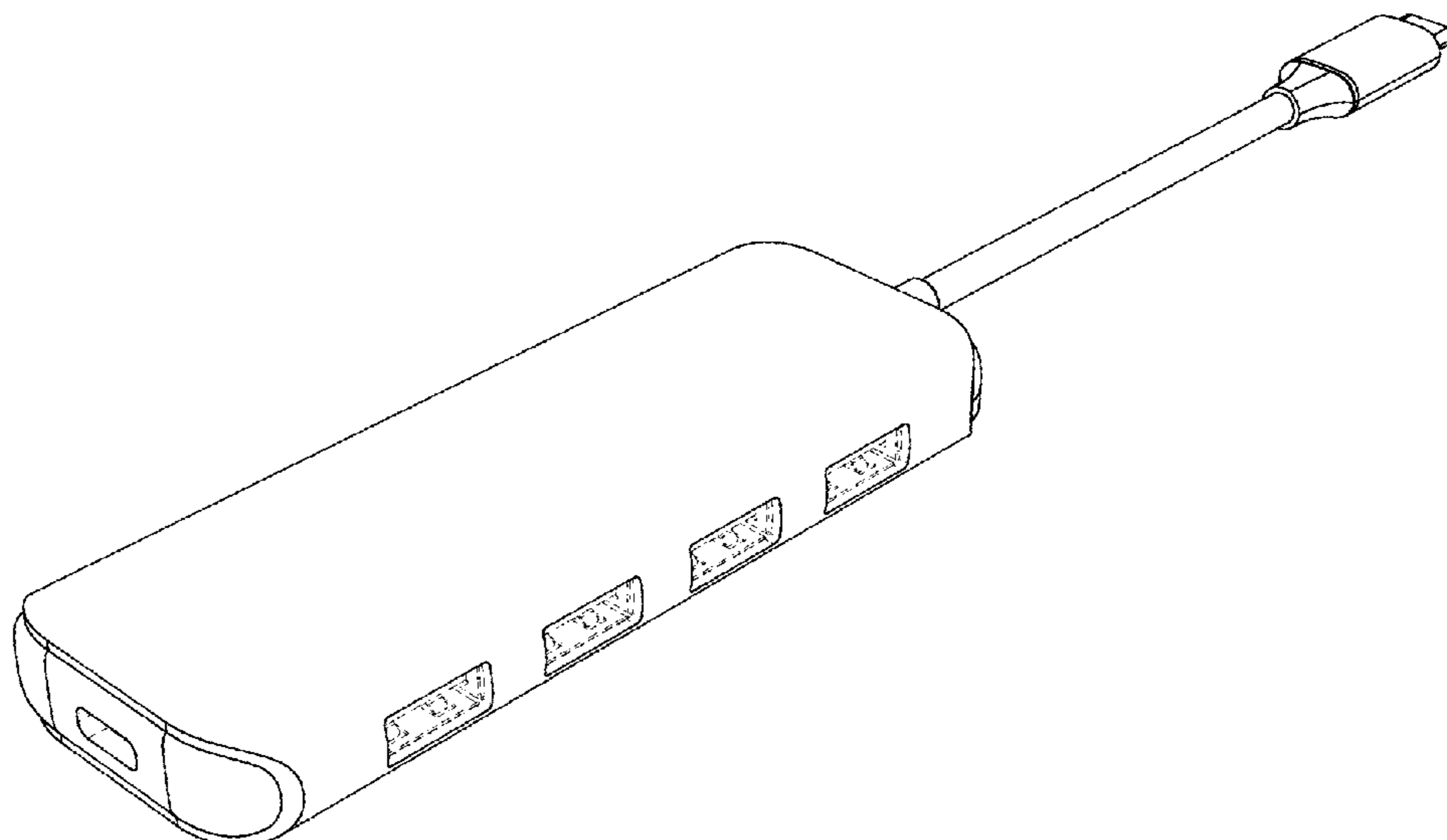
(57) **CLAIM**

The ornamental design for an USB-C adapter, as shown and described.

DESCRIPTION

FIG. 1 is a perspective view of an USB-C adapter showing our new design;
FIG. 2 is a front elevational view thereof;
FIG. 3 is a rear elevational view thereof;
FIG. 4 is a right side view thereof;
FIG. 5 is a left side view thereof;
FIG. 6 is a top plan view thereof; and,
FIG. 7 is a bottom plan view thereof.
The broken lines in the drawing depict portions of the USB-C adapter that form no part of the claimed design.

1 Claim, 7 Drawing Sheets



(56)

References Cited

U.S. PATENT DOCUMENTS

D855,616 S *	8/2019	Chin	D14/433
D862,474 S *	10/2019	Liu	D14/433
D863,310 S *	10/2019	Liao	D14/433
D864,205 S *	10/2019	Wang	D14/433
D864,209 S *	10/2019	Wang	D14/434
D864,964 S *	10/2019	Lyu	D14/433
D866,557 S *	11/2019	Xiong	D14/433
D878,373 S *	3/2020	Zhang	D14/433
2015/0171386 A1 *	6/2015	Yang	H01M 2/1022 429/163

OTHER PUBLICATIONS

The Best USB-C Hub for Your New Laptop, The Verge online, post date Jun. 1, 2018, URL: <https://www.theverge.com/this-is-my-next/2018/6/1/17413728/the-best-usb-c-hub-for-laptops-macbook-pro> , retrieved Dec. 18, 2019.*

* cited by examiner

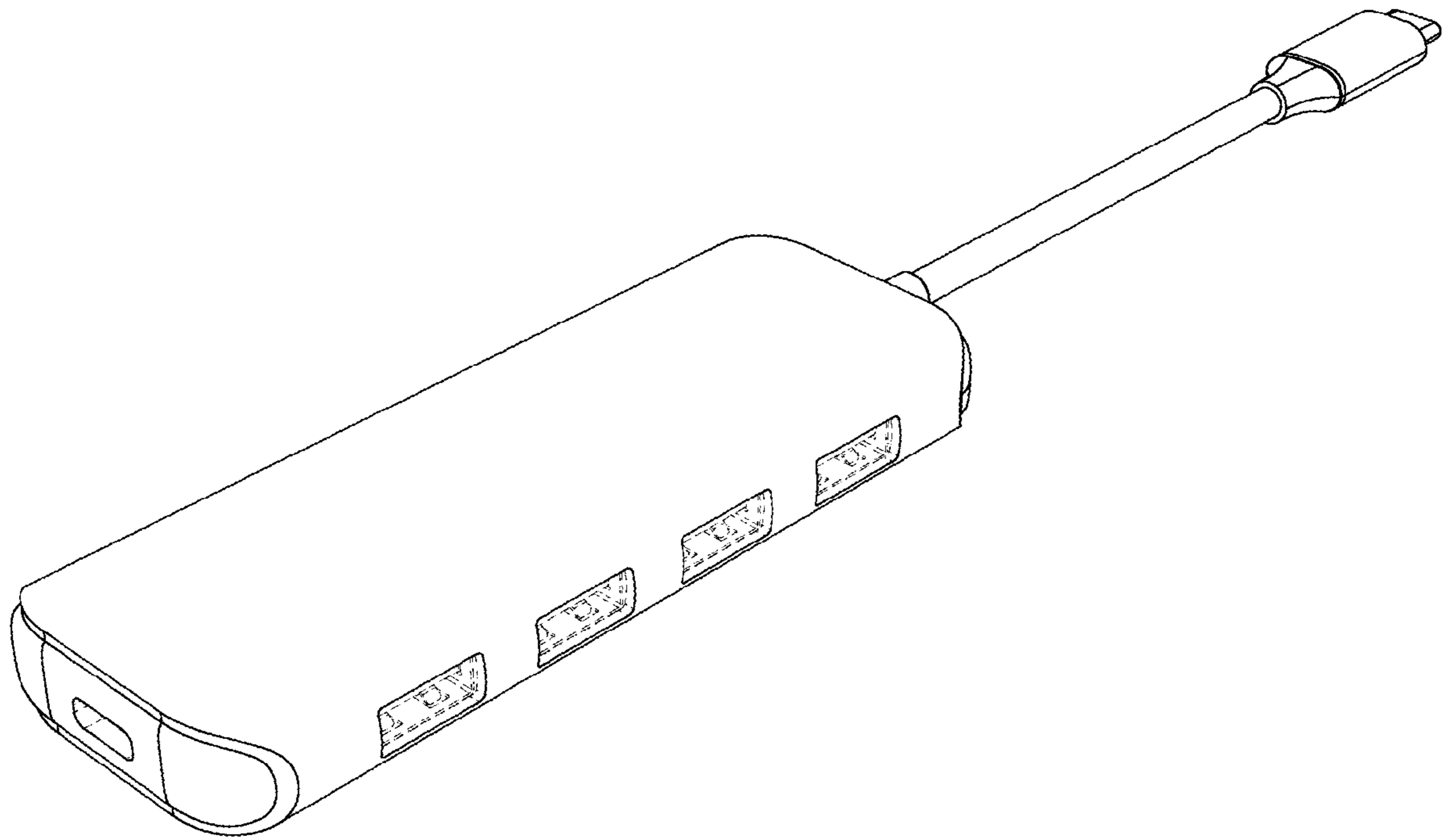


FIG. 1

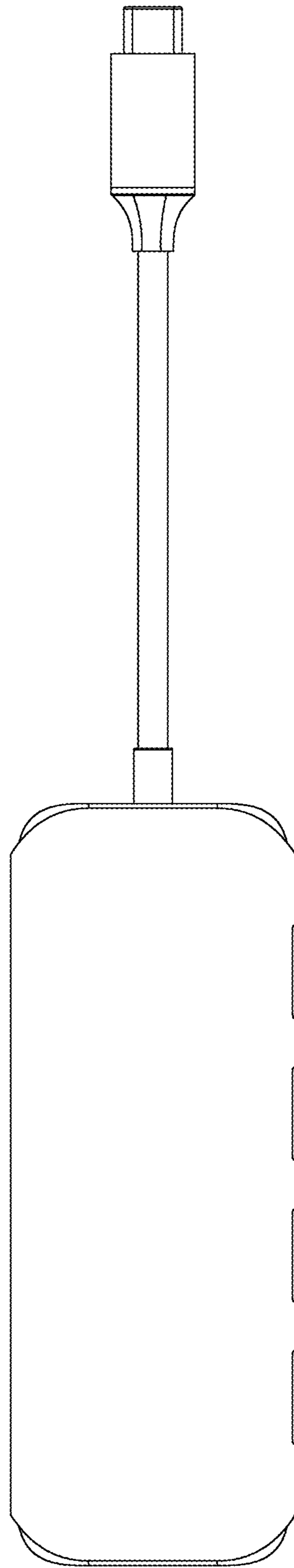


FIG. 2

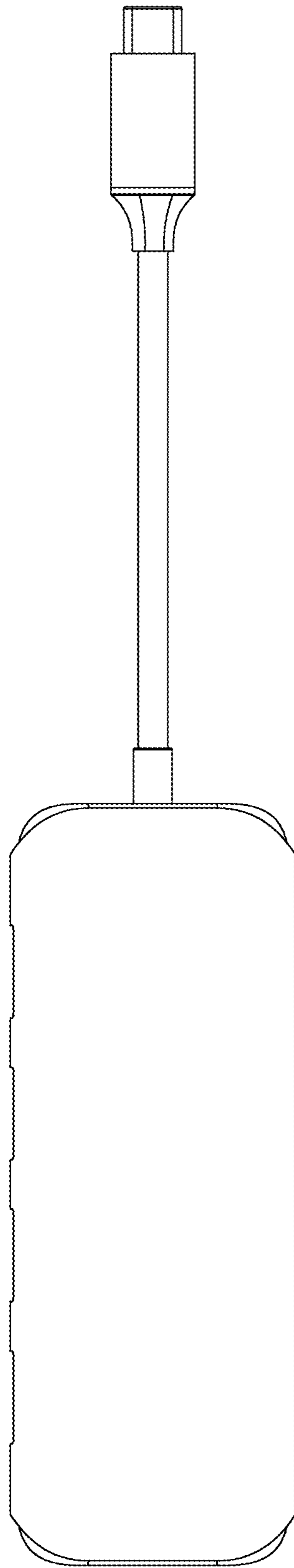


FIG. 3

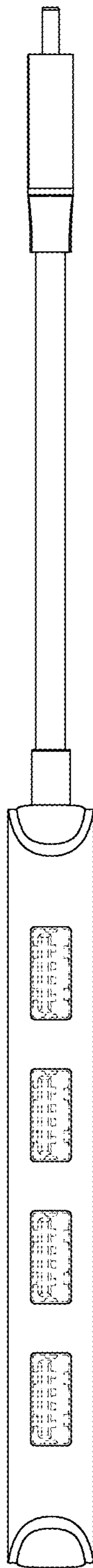


FIG. 4

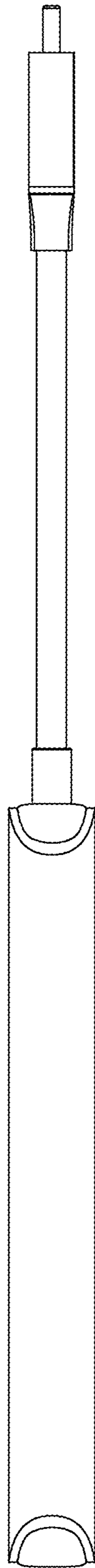


FIG. 5

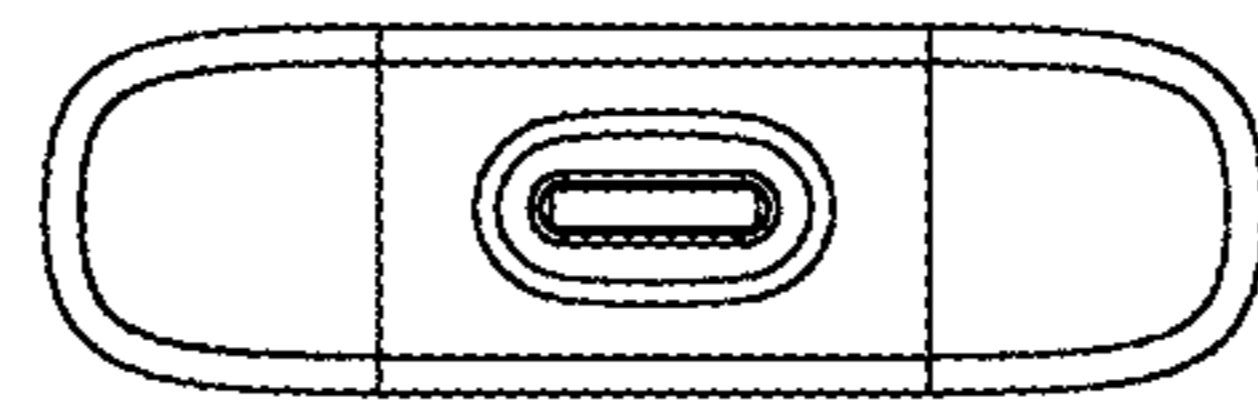


FIG. 6

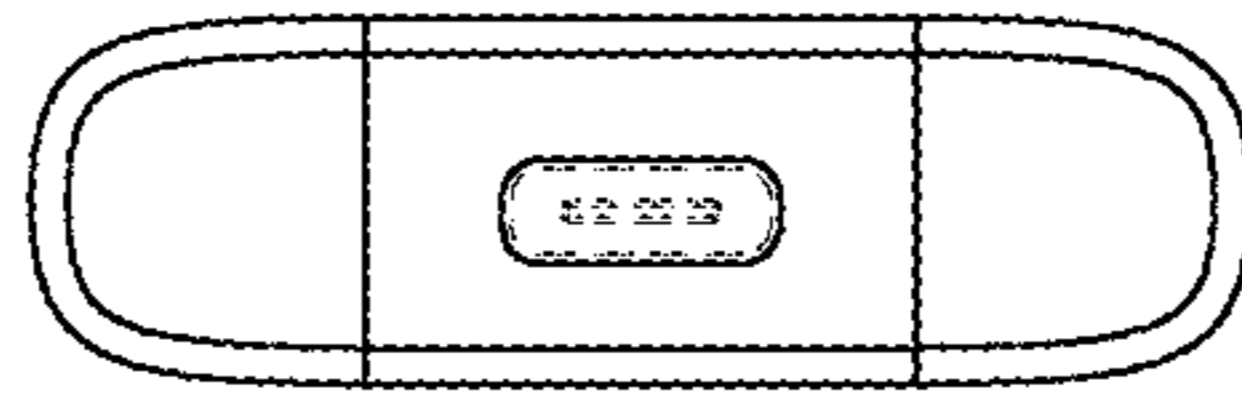


FIG. 7