



US00D886824S

(12) **United States Design Patent** (10) **Patent No.:** **US D886,824 S**
Zhan (45) **Date of Patent:** **** Jun. 9, 2020**

(54) **USB HUB**
(71) Applicant: **James Zhan**, Zhangjiajie (CN)
(72) Inventor: **James Zhan**, Zhangjiajie (CN)
(73) Assignee: **Shenzhen CQITeng Electronics Co., Ltd**, Shenzhen (CN)
(**) Term: **15 Years**
(21) Appl. No.: **29/655,253**
(22) Filed: **Jul. 2, 2018**
(51) **LOC (12) Cl.** **14-02**
(52) **U.S. Cl.**
USPC **D14/433**
(58) **Field of Classification Search**
USPC D14/240, 242, 356, 357, 358, 378, 383, D14/384, 385, 386, 433, 434, 435.1, D14/480.1, 480.3, 480.4, 480.5, 480.6, D14/480.7; D13/103, 107, 108, 110, 146; D18/12, 12.1, 12.3
CPC H01R 25/003; H01R 25/006; H01R 27/02; H01R 31/005; H01R 13/60; H01R 13/6658; H01R 13/72; G06F 1/1607; G06F 1/1632; G06F 1/1684; G06F 1/266; G06F 11/325; G06F 13/00; G06F 13/12; G06F 13/14; G06F 13/20; G06F 13/382; G06F 13/4022; G06F 9/4413
See application file for complete search history.

D828,840 S * 9/2018 Zhang D14/433
D828,841 S * 9/2018 Zhang D14/433
D834,580 S * 11/2018 Wang D14/435.1
D839,876 S * 2/2019 Turksu D14/435.1
D847,139 S * 4/2019 Wang D14/433
D853,397 S * 7/2019 Wang D14/435.1
D854,020 S * 7/2019 Liao D14/434
D855,616 S * 8/2019 Chin D14/433
D863,310 S * 10/2019 Liao D14/433
D864,205 S * 10/2019 Wang D14/433
D864,964 S * 10/2019 Lyu D14/433
2016/0202743 A1* 7/2016 Li H02M 1/10 710/313

OTHER PUBLICATIONS

LYFNLOVE USB Hub 3.0 Splitter,7 Port USB Data Hub with Power Adapter and One Charging Port,Individual On/Off Switches and Lights, Amazon online, no post date, URL: <https://www.amazon.com/LYFNLOVE-Splitter-Charging-Individual-Switches/dp/B072LW1RGG> , retrieved Dec. 4, 2019.*

* cited by examiner

Primary Examiner — Angela J Lee
Assistant Examiner — Rebekah A Caruso

(57) **CLAIM**

The ornamental design for a USB hub, as shown and described.

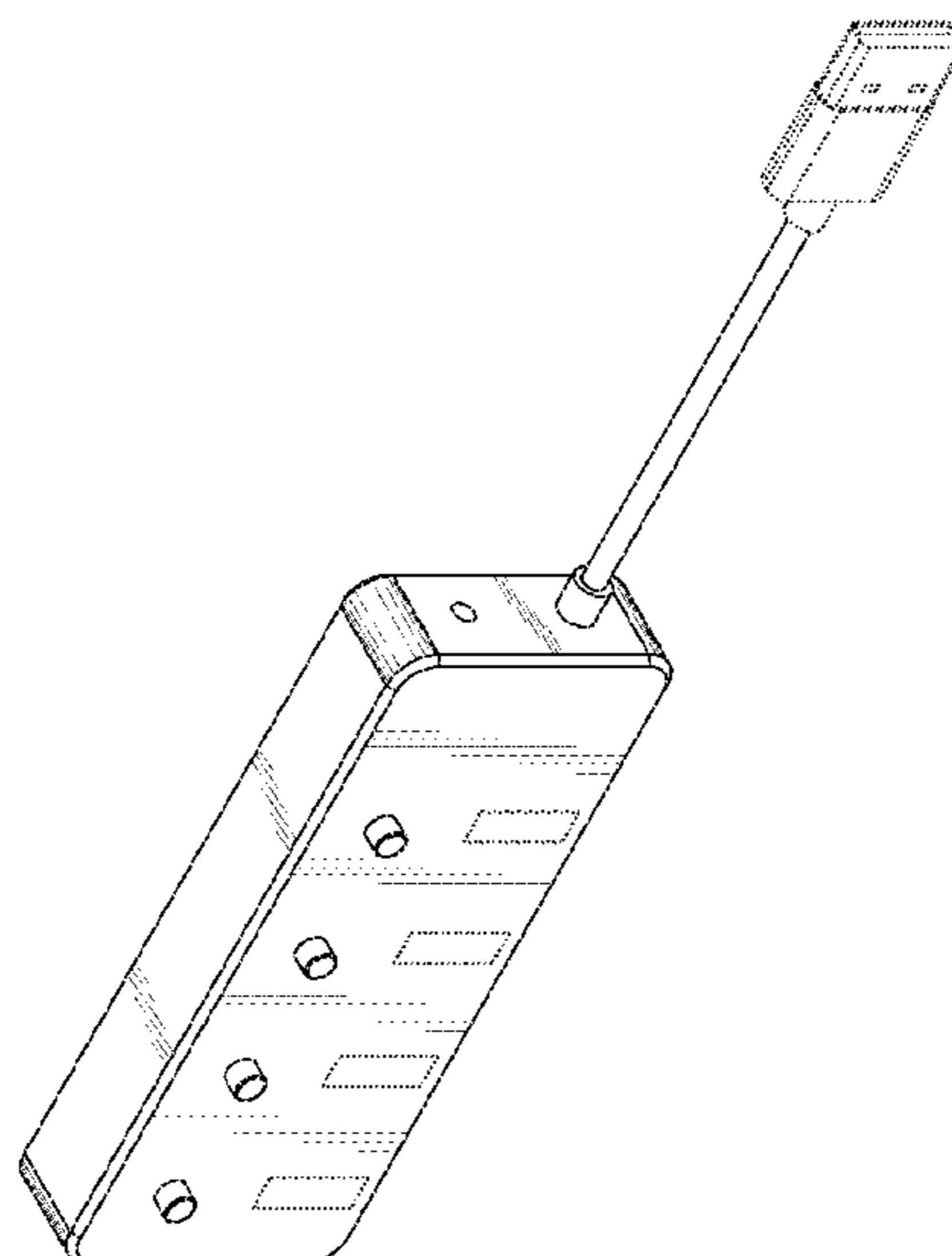
DESCRIPTION

FIG. 1 is a perspective view of a USB hub showing my new design;
FIG. 2 is a front elevational view thereof;
FIG. 3 is a rear elevational view thereof;
FIG. 4 is a left side elevational view thereof;
FIG. 5 is a right side elevational view thereof;
FIG. 6 is a top plan view thereof; and,
FIG. 7 is a bottom plan view thereof.
The broken lines depict environment that forms no part of the claimed design.

1 Claim, 6 Drawing Sheets

(56) **References Cited**
U.S. PATENT DOCUMENTS

D718,288 S * 11/2014 Wang D14/240
D718,752 S * 12/2014 Wang D14/240
D780,116 S * 2/2017 Bing D13/107
D791,138 S * 7/2017 Eliyahu D14/435.1
D799,423 S * 10/2017 Eliyahu D13/108
D813,875 S * 3/2018 Liao D14/434
D826,942 S * 8/2018 Lu D14/433
D828,839 S * 9/2018 Zhang D14/433



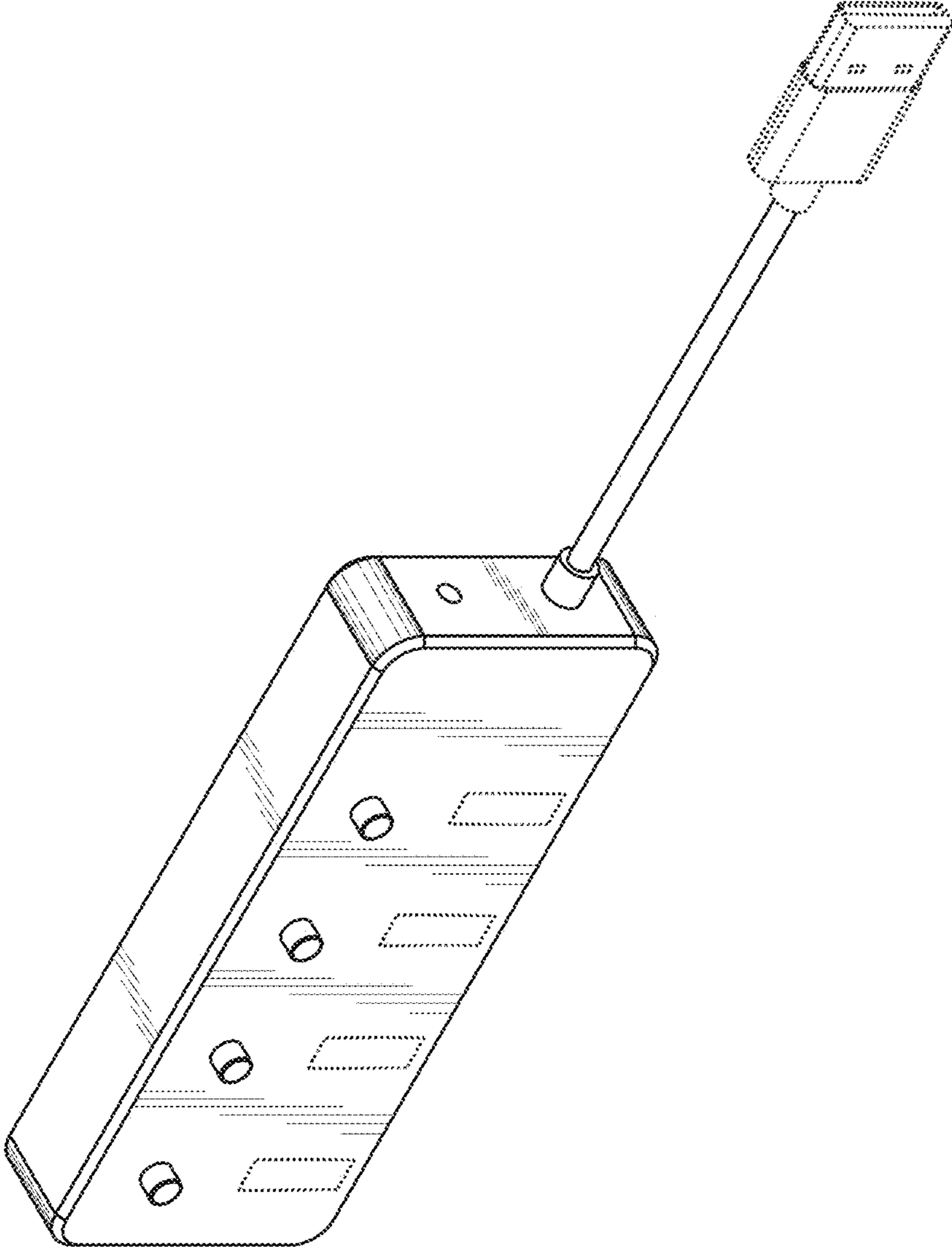


FIG.1

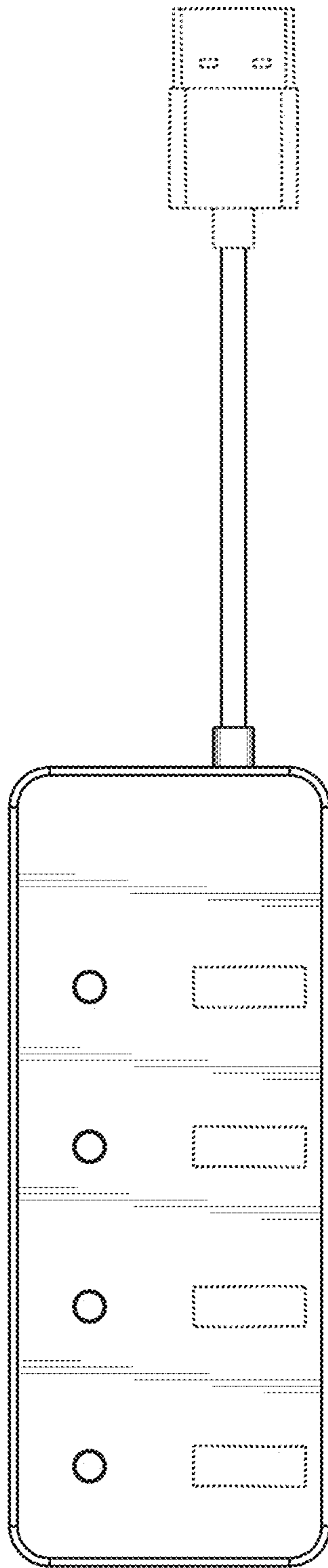


FIG.2

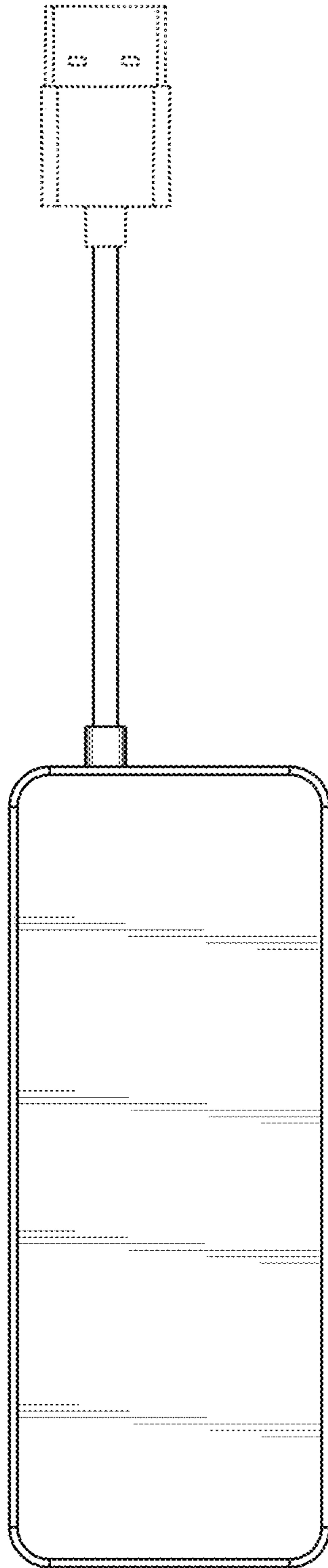


FIG.3

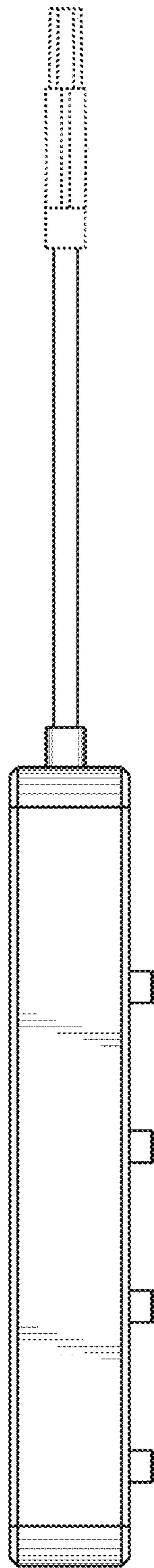


FIG.4

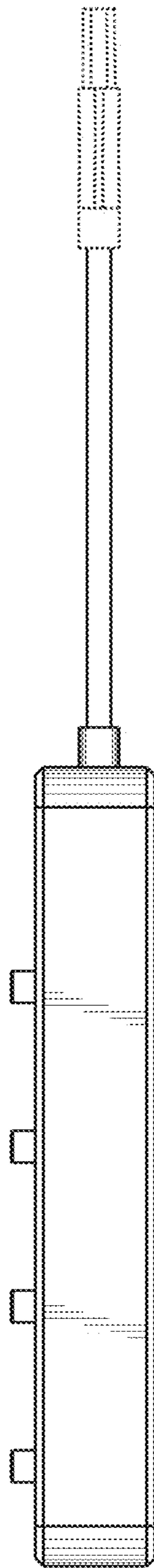


FIG.5

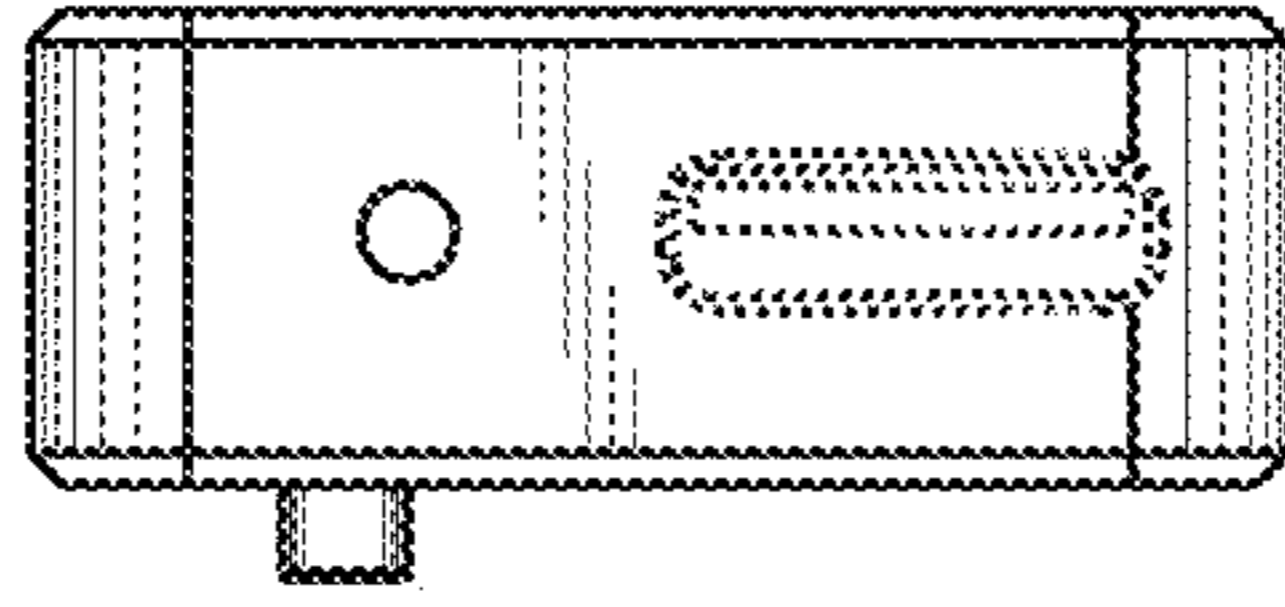


FIG. 6

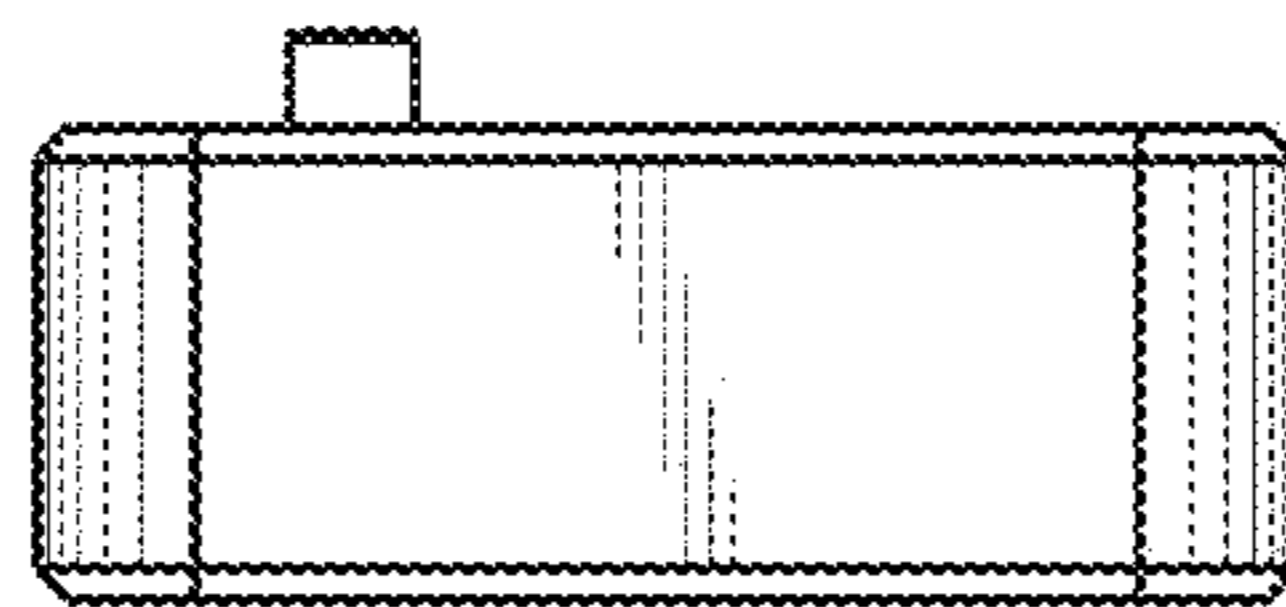


FIG. 7