



US00D886823S

(12) **United States Design Patent**
Peng

(10) **Patent No.:** **US D886,823 S**
(45) **Date of Patent:** **** Jun. 9, 2020**

(54) **SCANNER**
(71) Applicant: **AVISION INC.**, Hsinchu (TW)
(72) Inventor: **Chao-Yu Peng**, Hsinchu (TW)
(73) Assignee: **AVISION INC.**, Hsinchu (TW)

G03G 15/605; G03G 15/602; B65H 5/26;
B65H 5/30; B65H 5/36; B65H 7/00;
B65H 2402/515; B65H 2402/31; B65H
2511/20; B65H 2511/414; B65H 2513/42;
B65H

(Continued)

(**) Term: **15 Years**
(21) Appl. No.: **29/627,301**
(22) Filed: **Nov. 25, 2017**

(56) **References Cited**

U.S. PATENT DOCUMENTS

D351,616 S * 10/1994 Troy 211/50
5,613,672 A * 3/1997 Tanaka B41J 13/10
271/162

(Continued)

(30) **Foreign Application Priority Data**

May 26, 2017 (CN) 2017 3 0204323
May 26, 2017 (CN) 2017 3 0205056

Primary Examiner — Susan Moon Lee

(74) *Attorney, Agent, or Firm* — Maschoff Brennan

(51) **LOC (12) Cl.** **14-02**
(52) **U.S. Cl.**
USPC **D14/422**; D18/56; D18/50

(57) **CLAIM**

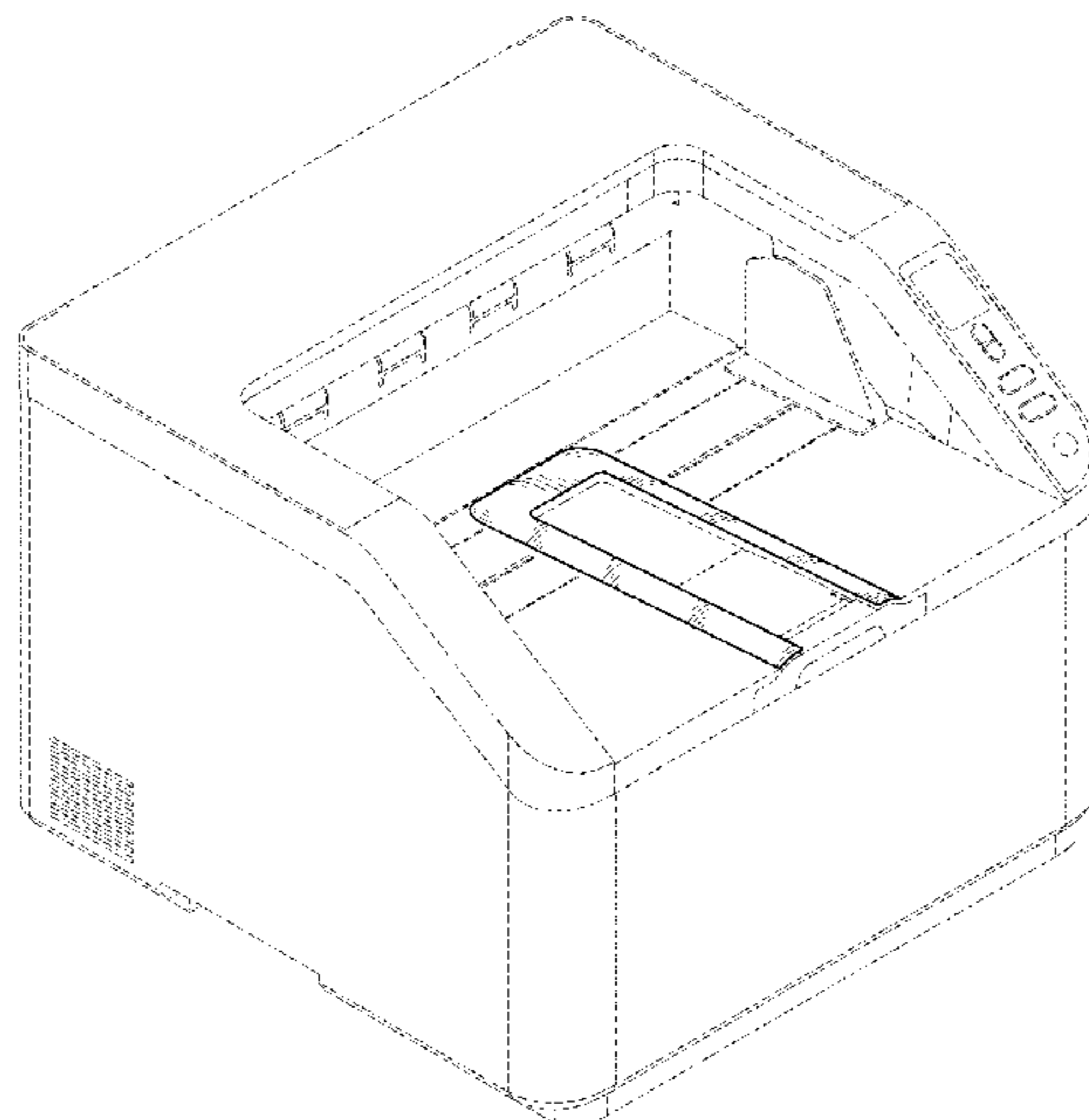
The ornamental design for a “scanner,” as shown and described.

(58) **Field of Classification Search**
USPC D14/421–425; D18/55, 49, 46, 40,
D18/36–39, 41, 44, 45, 47, 48, 50–54,
D18/56; 235/462, 455, 470, 462.43, 482,
235/483; 358/474, 486, 488, 496, 497,
358/498, 452, 449, 451, 453, 1.13;
318/685, 696; 355/81, 75; 399/405, 367,
399/379, 380; 382/217; 715/209, 222,
715/226, 274; 400/613, 613.1–613.4,
400/690.1–690.4, 691–694; 271/162,
271/207, 220, 223, 224, 213
CPC H04N 1/00; H04N 1/12; H04N 1/00013;
H04N 1/00015; H04N 1/00018; H04N
1/00026; H04N 1/00557; H04N 1/00564;
H04N 1/00567; H04N 1/0057; H04N
1/00572; H04N 1/00586; H04N 1/00588;
H04N 1/00591; H04N 1/00594; H04N
1/00596; H04N 1/00604; H04N 1/00519;
H04N 1/00559; H04N 1/1013; H04N
1/10; H04N 1/00551; H04N 1/00278;
H04N 2201/0456; H04N 2201/0446;
H04N 2201/00; H04N 2201/0094; G03G
15/6552; G03G 15/6555; G03G 15/0142;

DESCRIPTION

FIG. 1 is a top, front and left side perspective view of a first embodiment of a scanner showing my new design;
FIG. 2 is a front view thereof;
FIG. 3 is a rear view thereof;
FIG. 4 is a left side elevational view thereof;
FIG. 5 is a right side elevational view thereof;
FIG. 6 is a top view thereof;
FIG. 7 is a top, front and left side perspective view of a second embodiment of a scanner showing my new design;
FIG. 8 is a front view thereof;
FIG. 9 is a rear view thereof;
FIG. 10 is a left side elevational view thereof;
FIG. 11 is a right side elevational view thereof; and,
FIG. 12 is a top view thereof.
The broken lines illustrate an environmental structure and portions of the scanner which form no part of the claimed design.

1 Claim, 12 Drawing Sheets



(58) **Field of Classification Search**

CPC . 2801/39; B65H 2801/31; B65H 2215/00189;
 B65H 2215/00194; B65H 2215/00198;
 B65H 2215/00202; B65H 2215/00206;
 B65H 2215/20; B65H 2301/00; B65H
 2220/04; B65H 3/5261; B41J 13/10; B41J
 13/106; B41J 13/14; B41J 13/24

See application file for complete search history.

(56)

References Cited

U.S. PATENT DOCUMENTS

6,113,093 A * 9/2000 Morinaga B65H 1/00
 271/162
 D552,096 S * 10/2007 Sugitani D14/421
 D585,064 S * 1/2009 Sugitani D14/422
 D603,863 S * 11/2009 Sugitani D14/421
 D634,359 S * 3/2011 Park D18/55
 D641,399 S * 7/2011 Penke D18/55
 7,992,865 B2 * 8/2011 Sugizaki B65H 31/02
 271/207
 D650,388 S * 12/2011 Hidaka D14/422
 8,376,510 B2 * 2/2013 Mealy B41J 2/16505
 347/20

D693,873 S * 11/2013 Fukasawa D18/55
 D733,217 S * 6/2015 Nishimura D18/55
 D736,311 S * 8/2015 Yamada D18/50
 D762,216 S * 7/2016 Tani D14/422
 D765,772 S * 9/2016 Clark, III D18/55
 D769,966 S * 10/2016 Mizutani D18/56
 9,630,788 B2 * 4/2017 Horita B65H 31/02
 D800,125 S * 10/2017 Yin D14/422
 D811,403 S * 2/2018 Katori D14/422
 D815,095 S * 4/2018 Ishida D14/421
 D816,085 S * 4/2018 Ishida D14/421
 D818,534 S * 5/2018 Mita D18/55
 D823,387 S * 7/2018 Bond D18/56
 10,040,661 B2 * 8/2018 Yoshida B65H 31/20
 D827,708 S * 9/2018 Kim D18/56
 10,065,828 B2 * 9/2018 Takeuchi B65H 31/02
 D860,207 S * 9/2019 Peng D14/422
 2016/0318729 A1 * 11/2016 Chiu B65H 31/02
 2018/0022564 A1 * 1/2018 Obara B65H 31/20
 271/223
 2018/0024490 A1 * 1/2018 Takeuchi G03G 15/6552
 271/213
 2018/0164731 A1 * 6/2018 Tokumoto B65H 1/04
 2019/0144230 A1 * 5/2019 Obara B65H 31/20

* cited by examiner

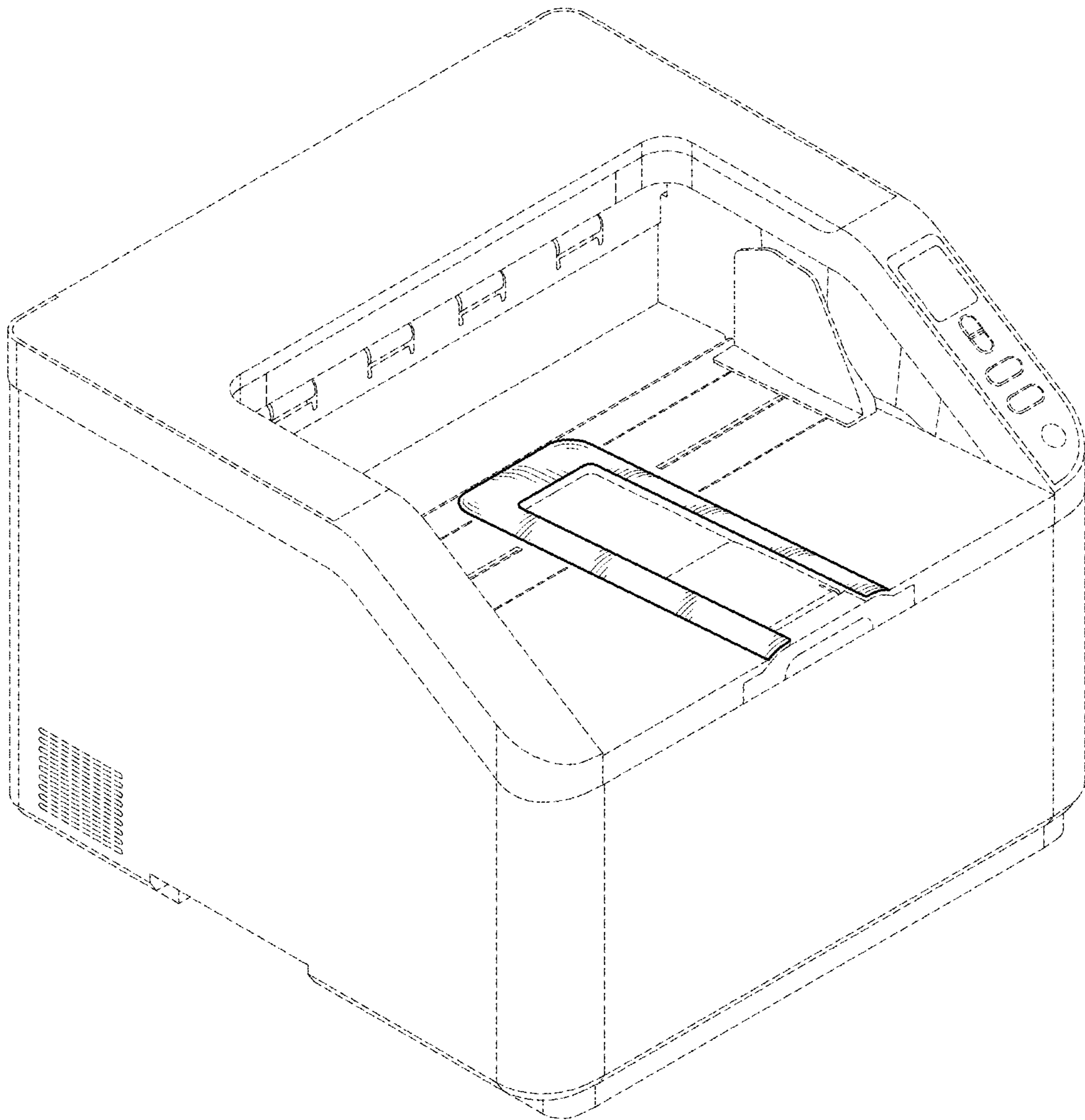


FIG. 1

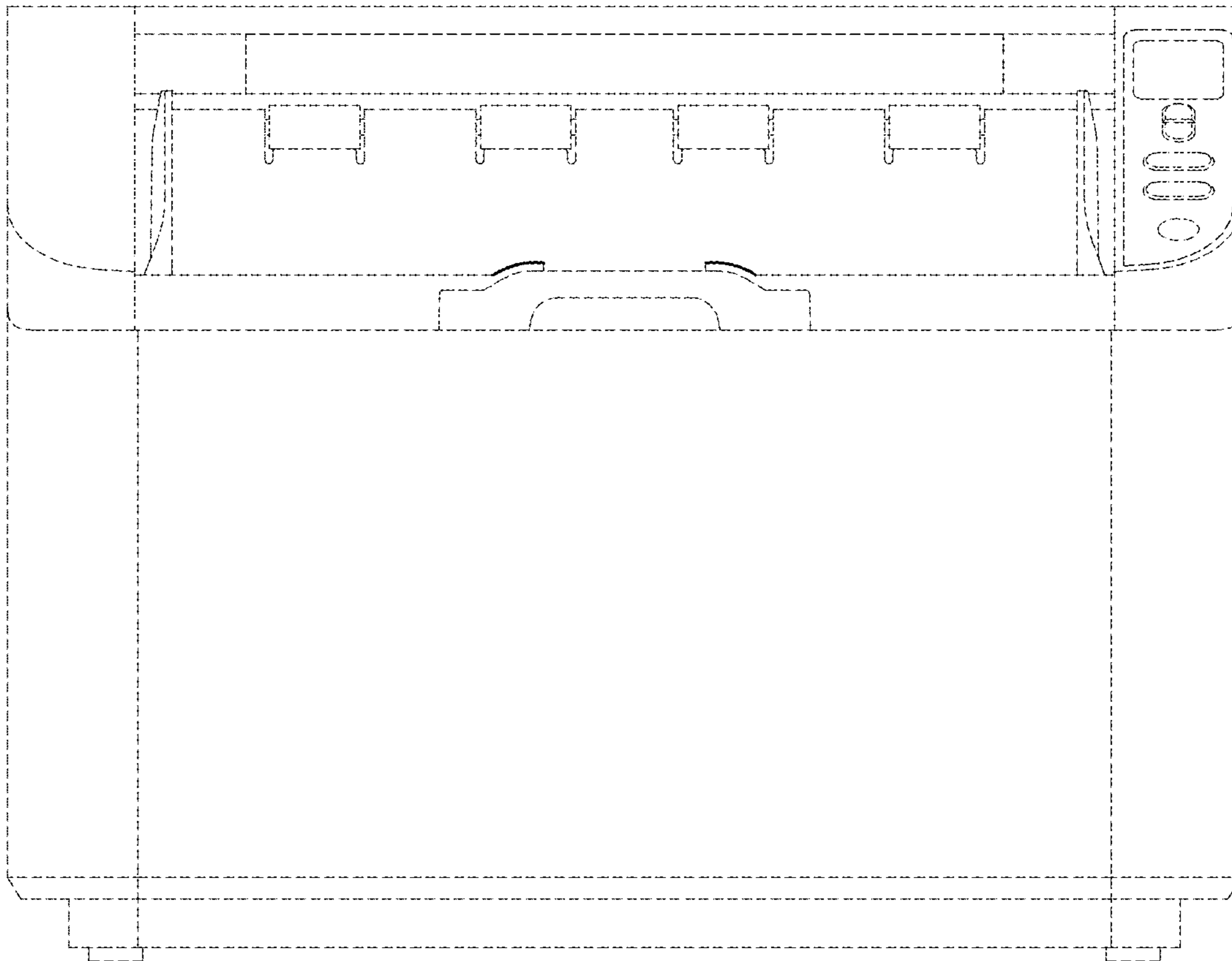


FIG. 2

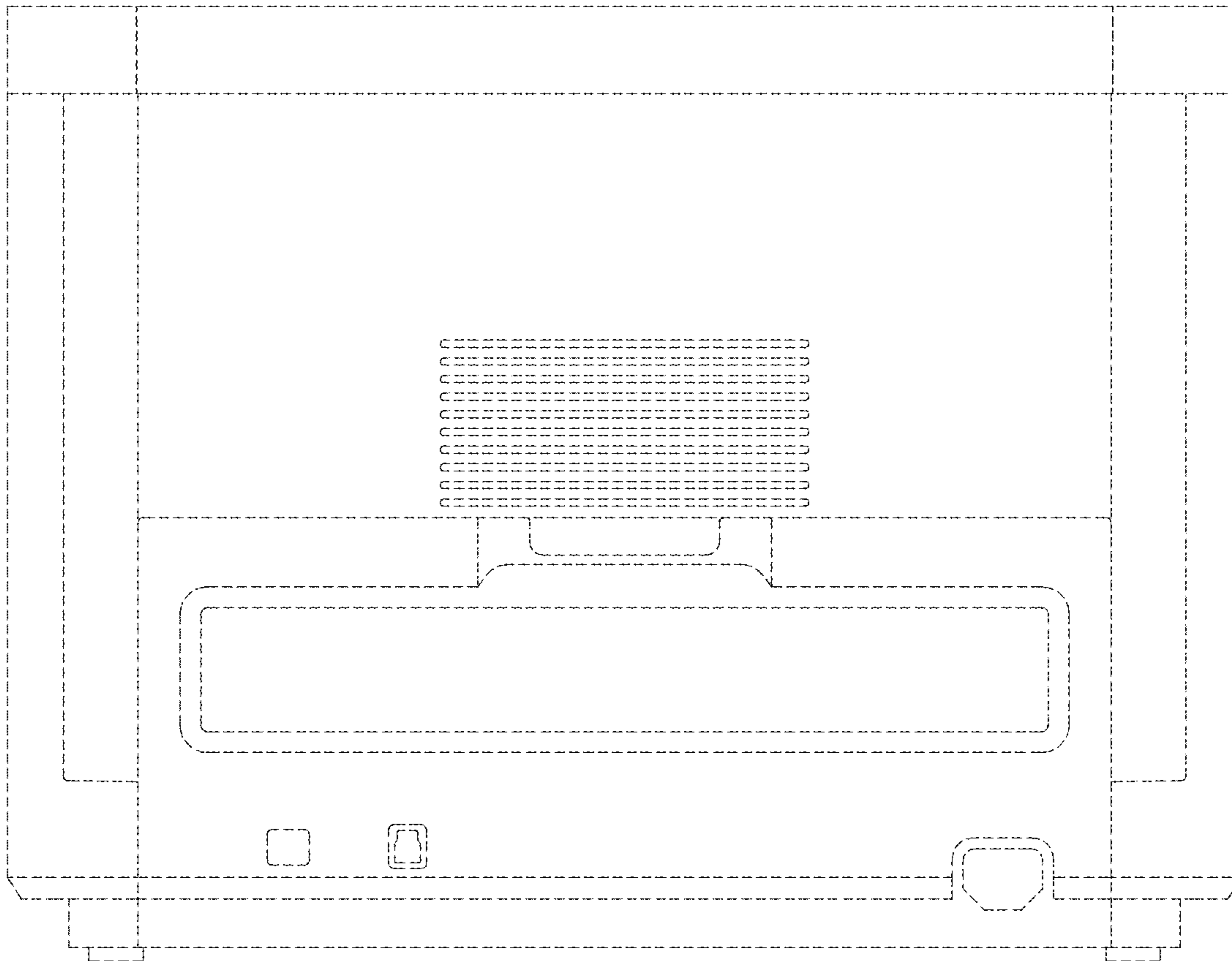


FIG. 3

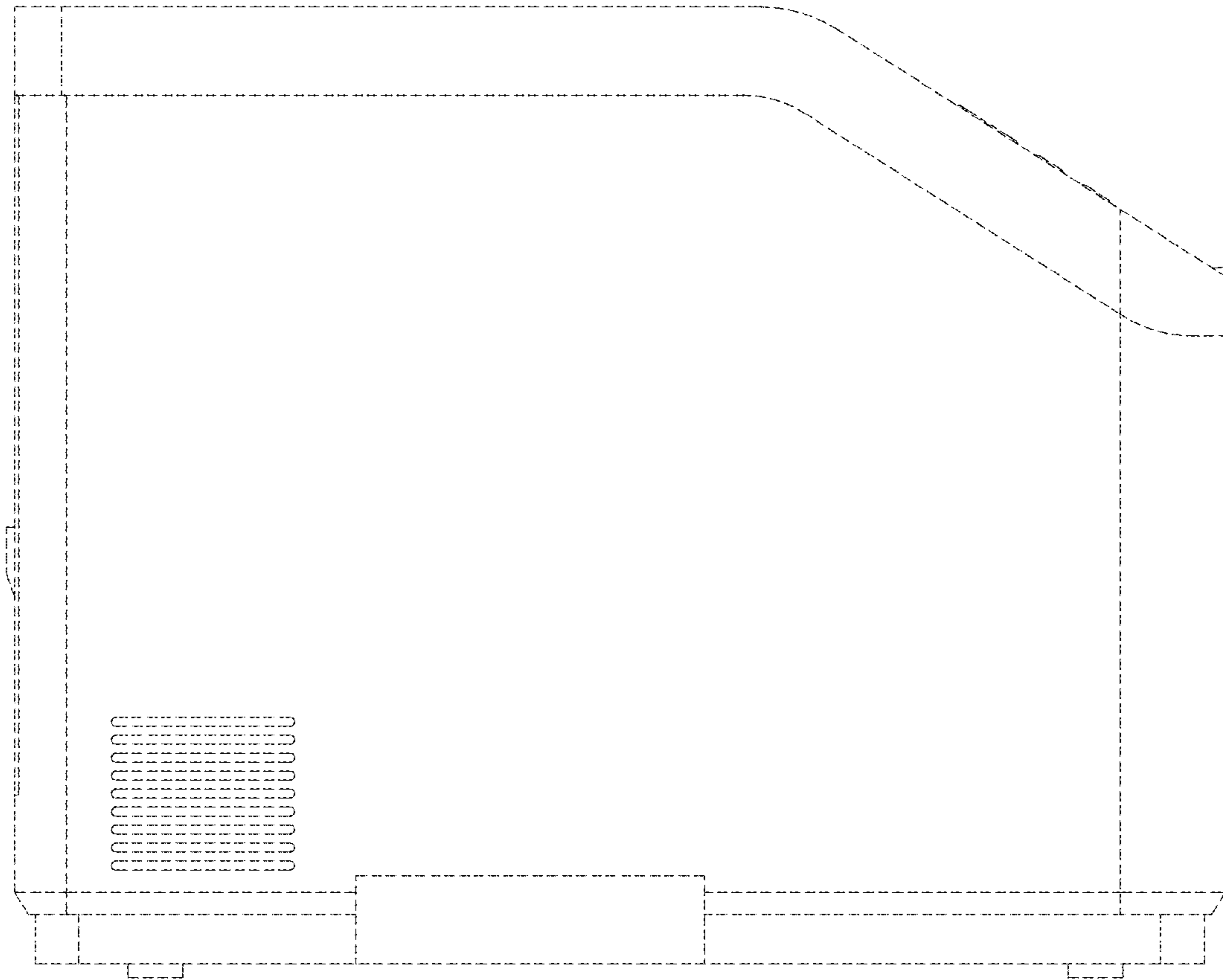


FIG. 4

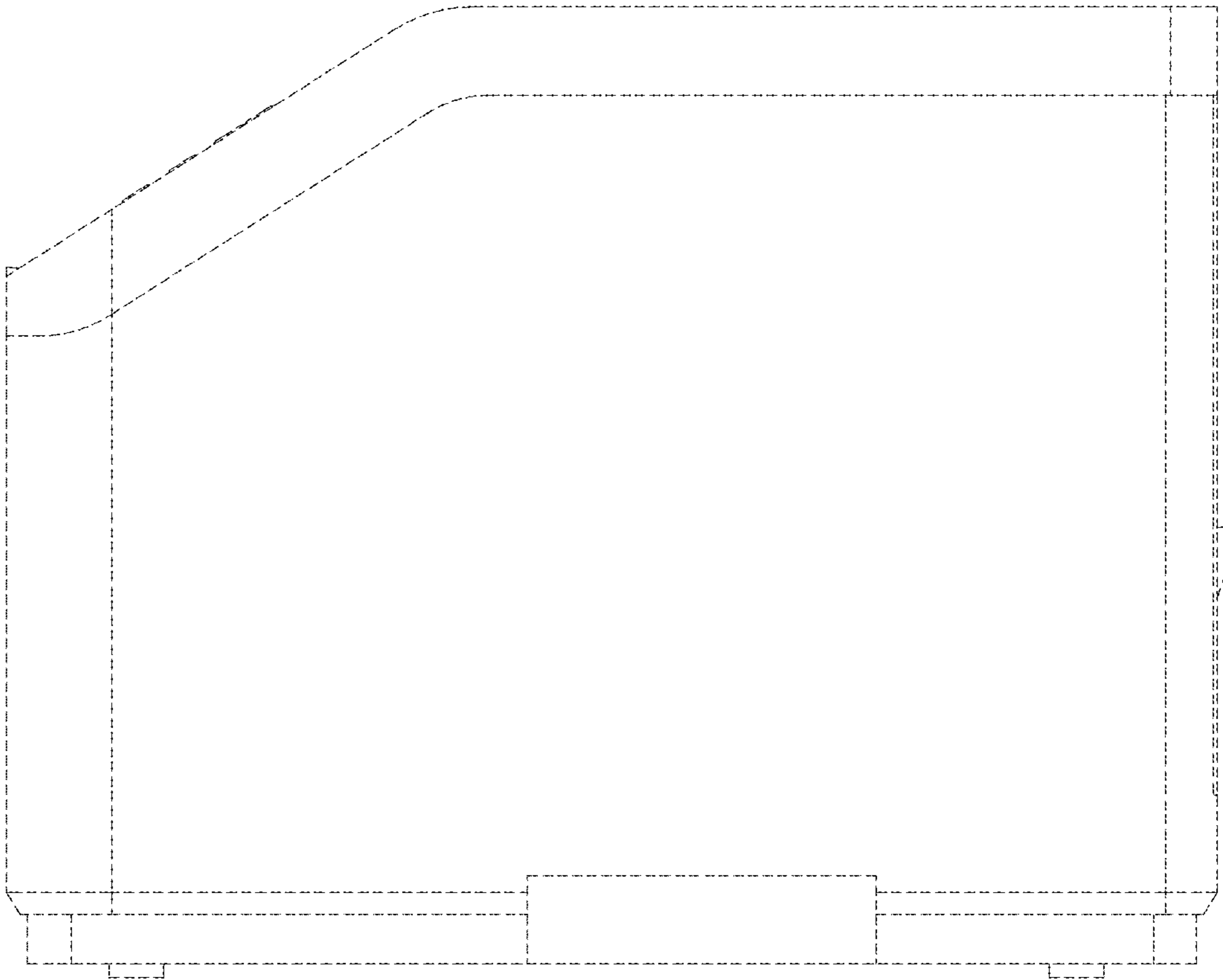


FIG. 5

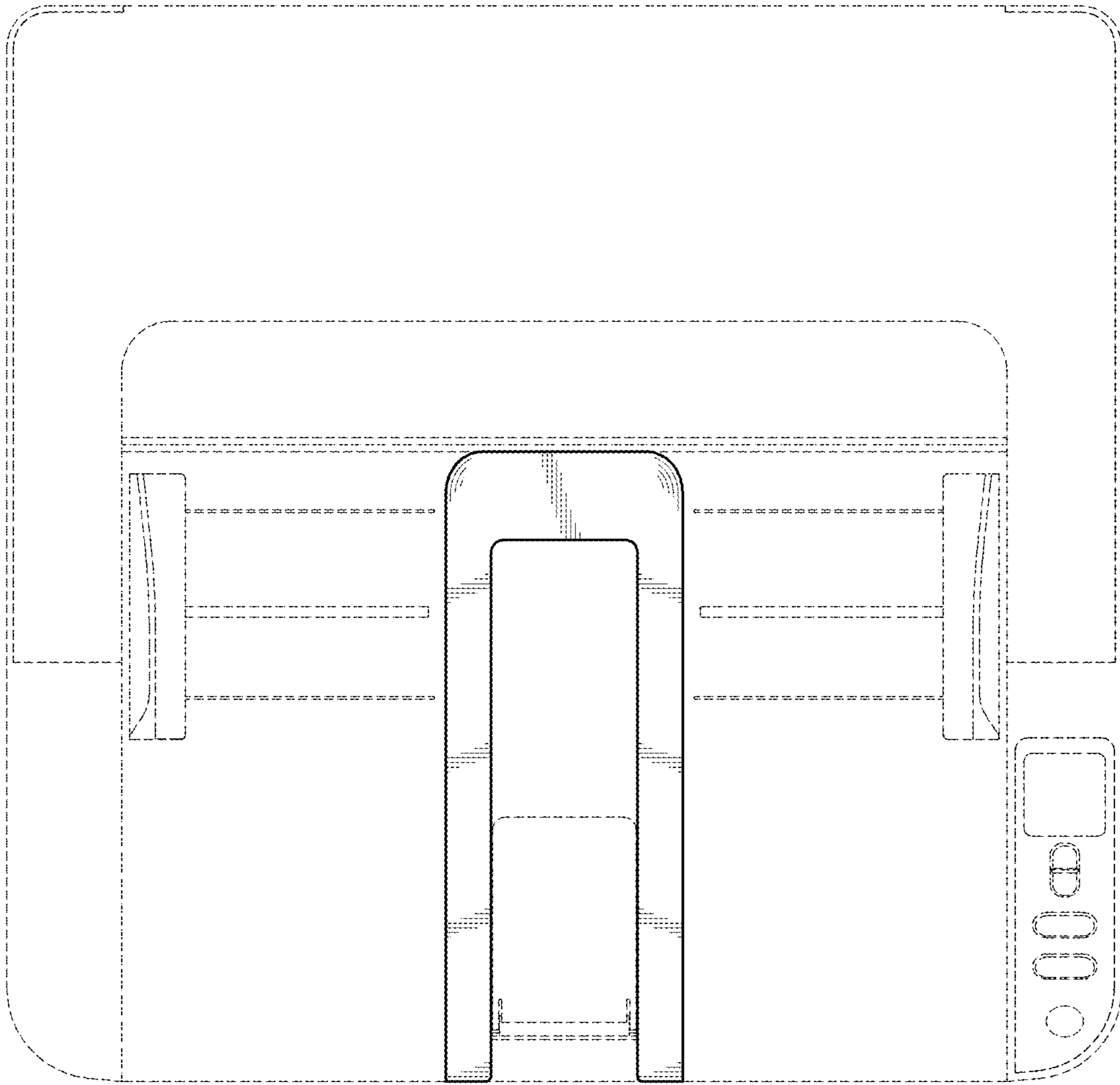


FIG. 6

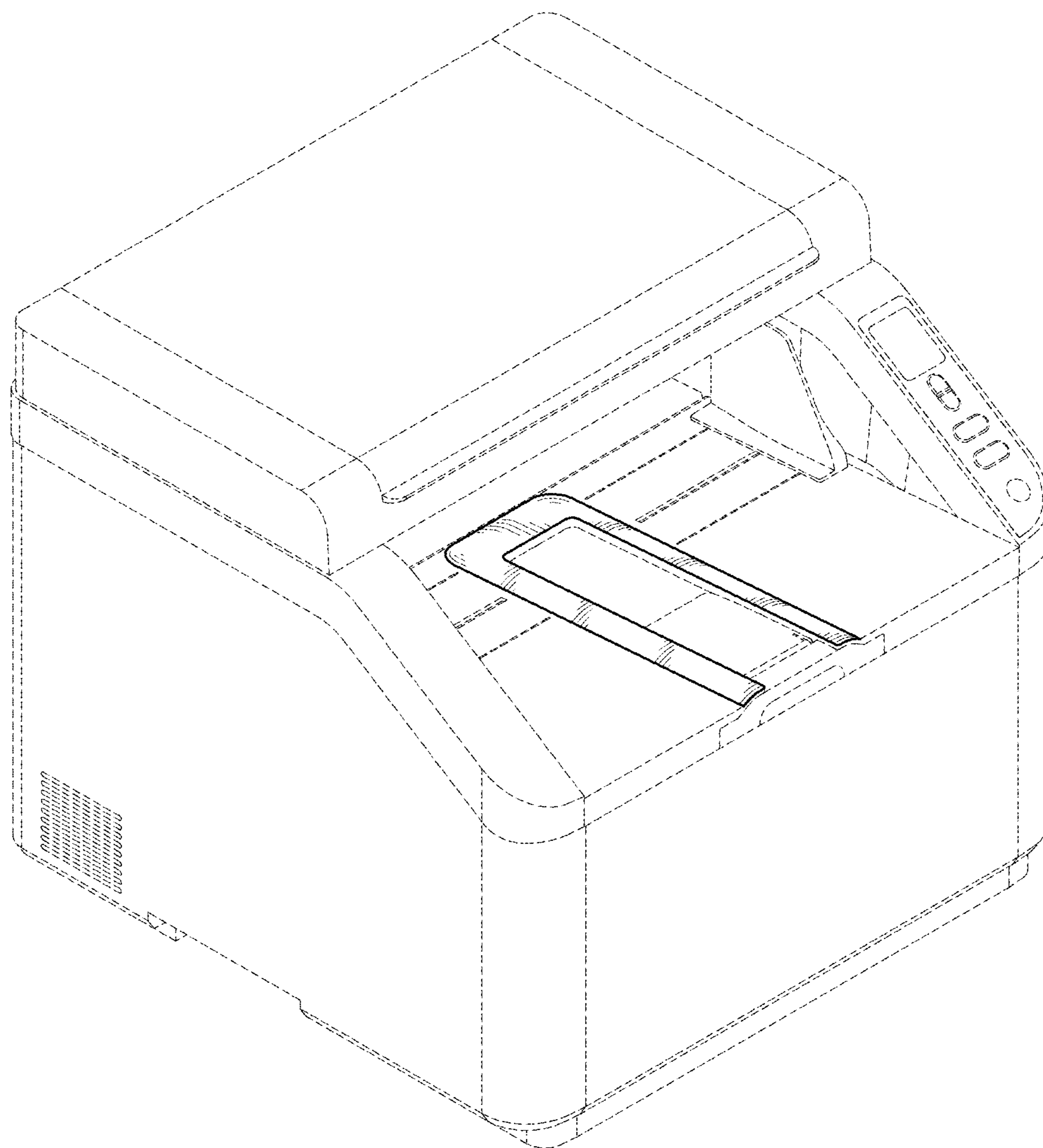


FIG. 7

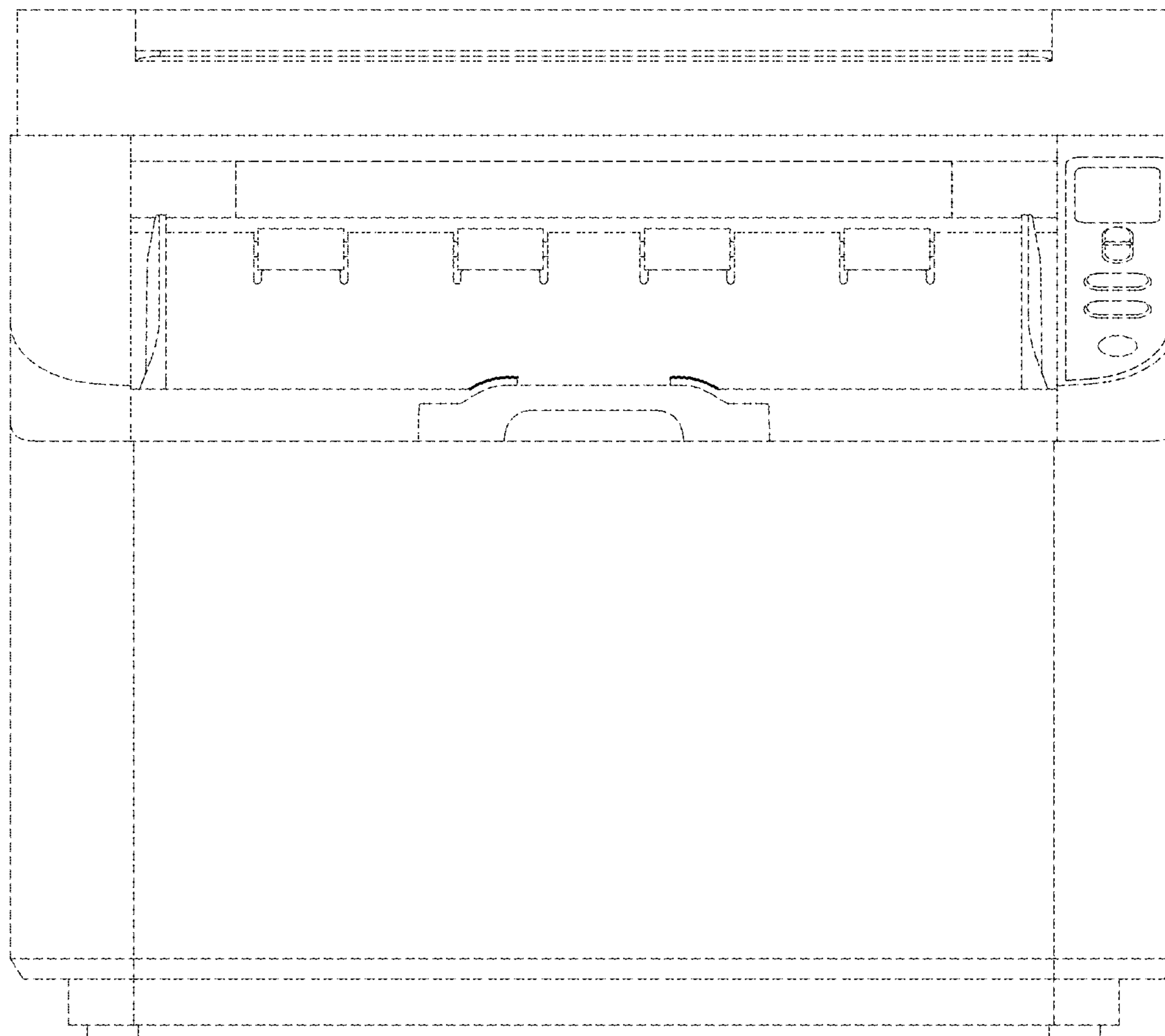


FIG. 8

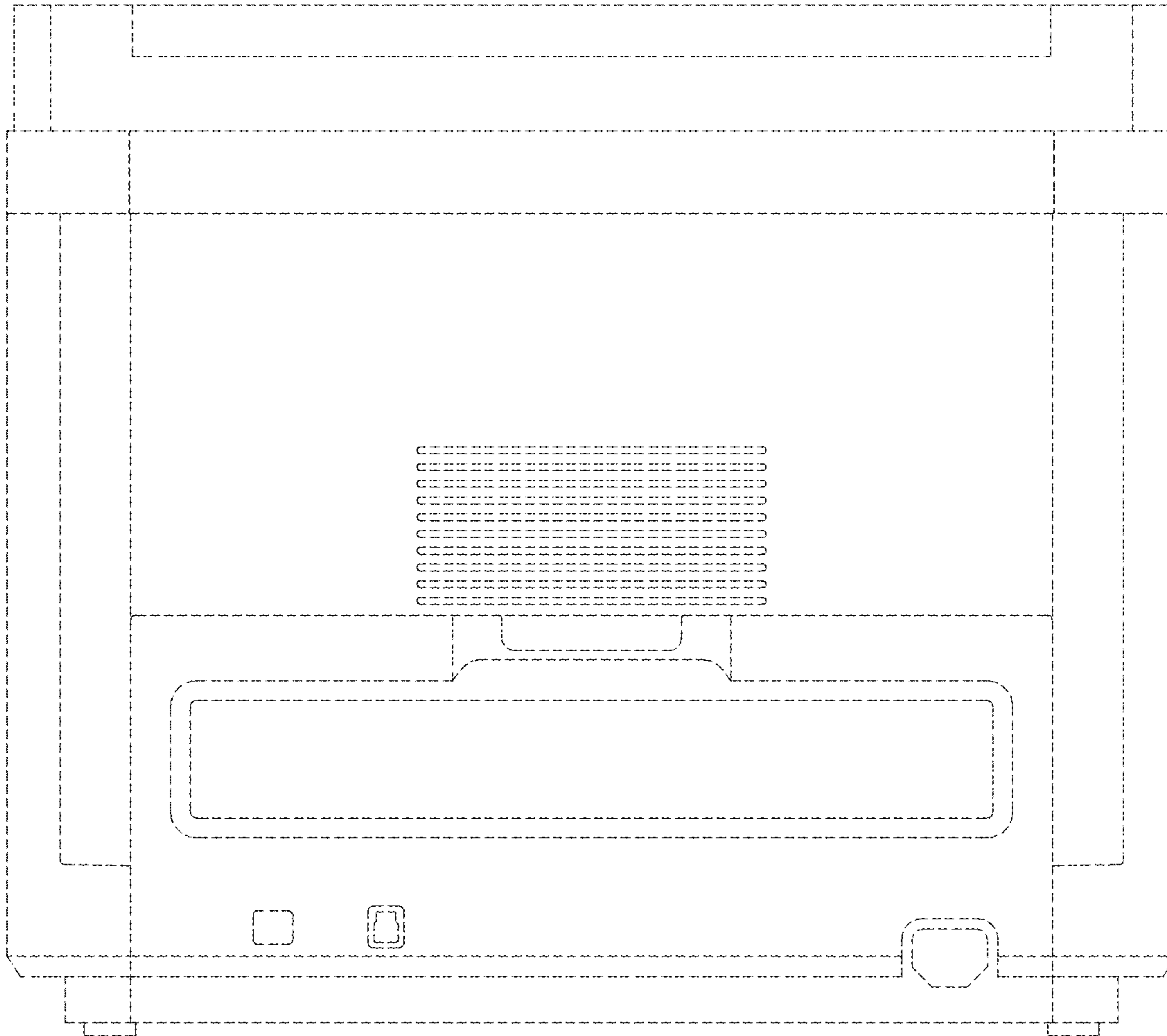


FIG. 9

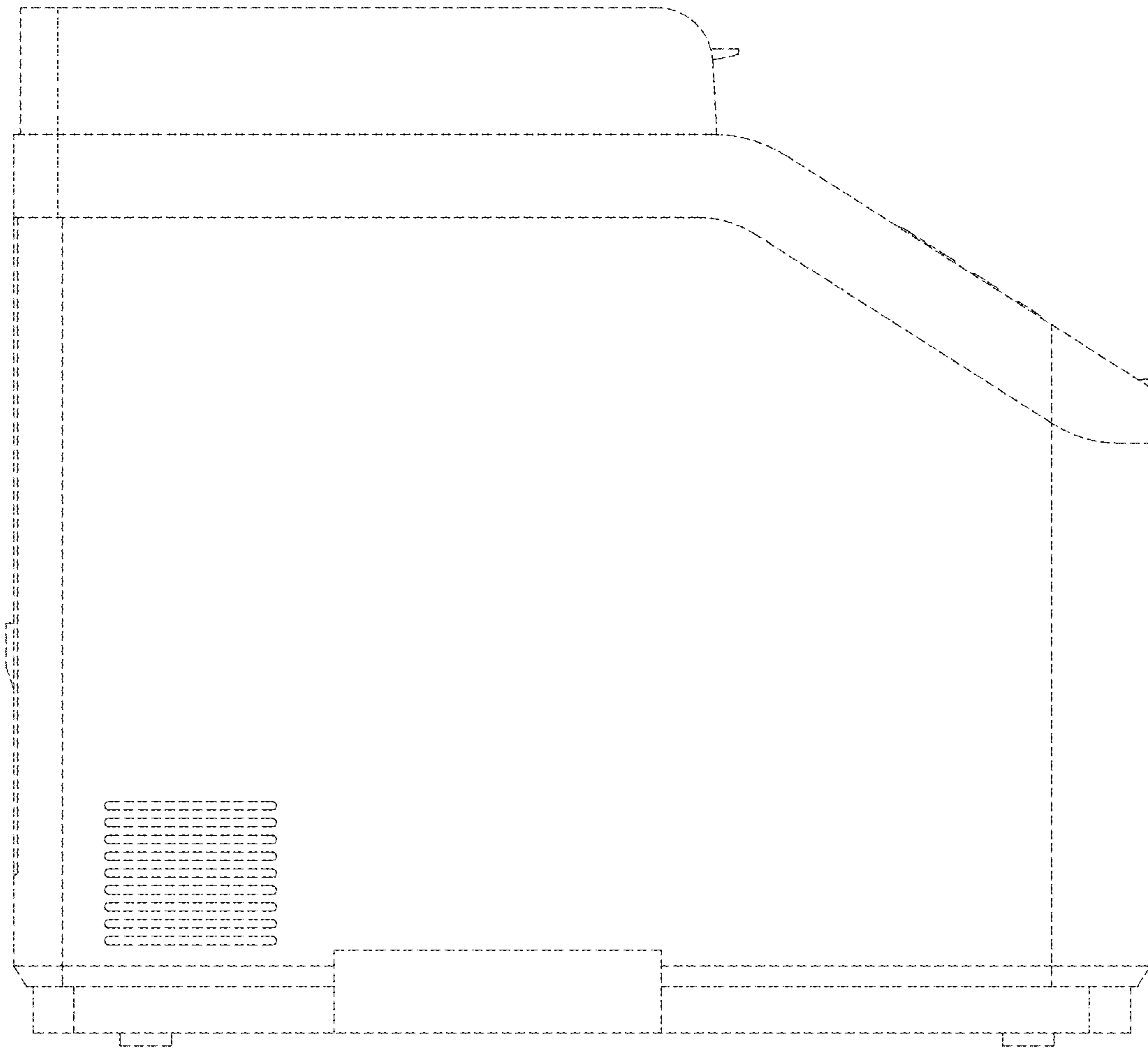


FIG. 10

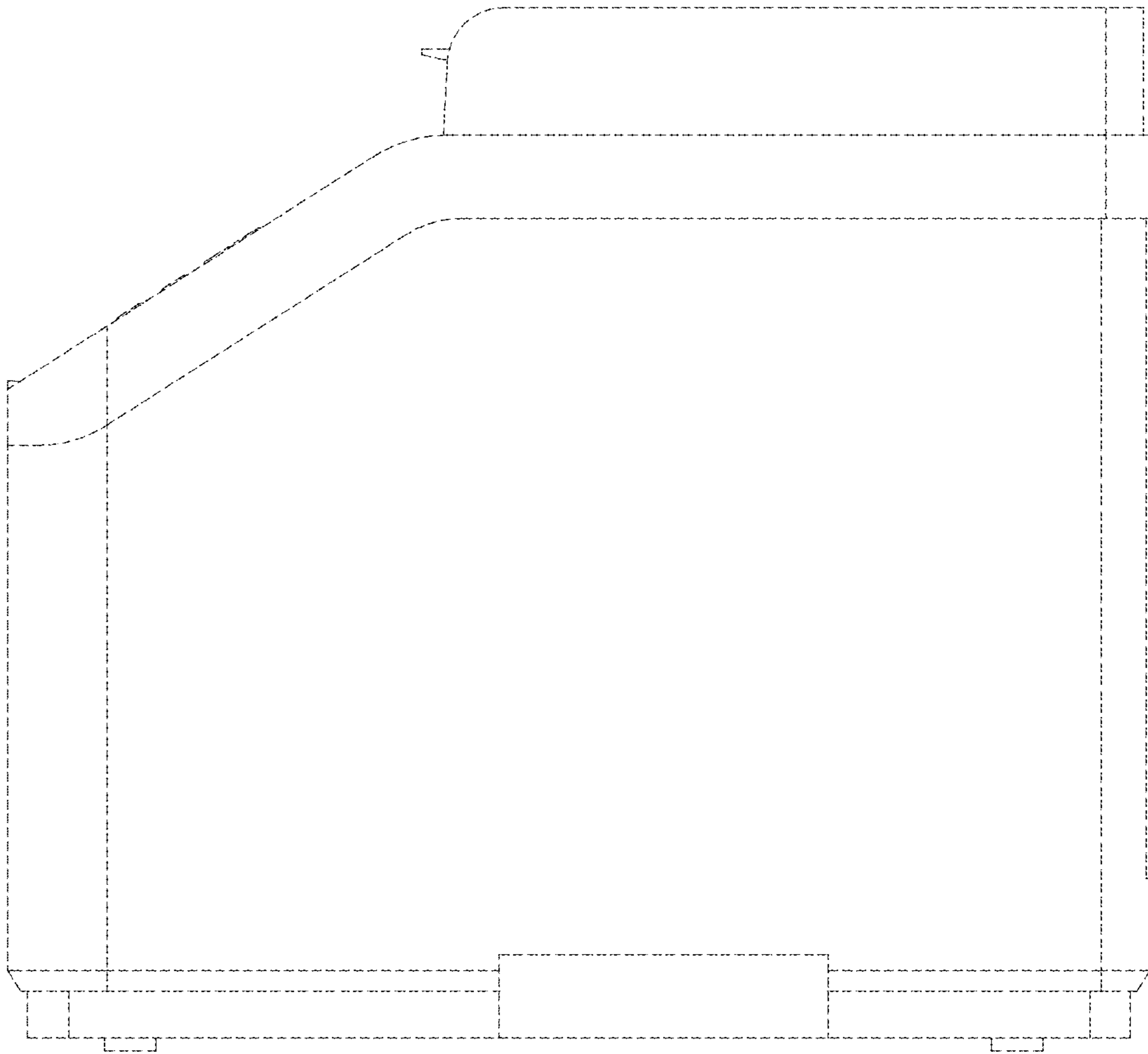


FIG. 11

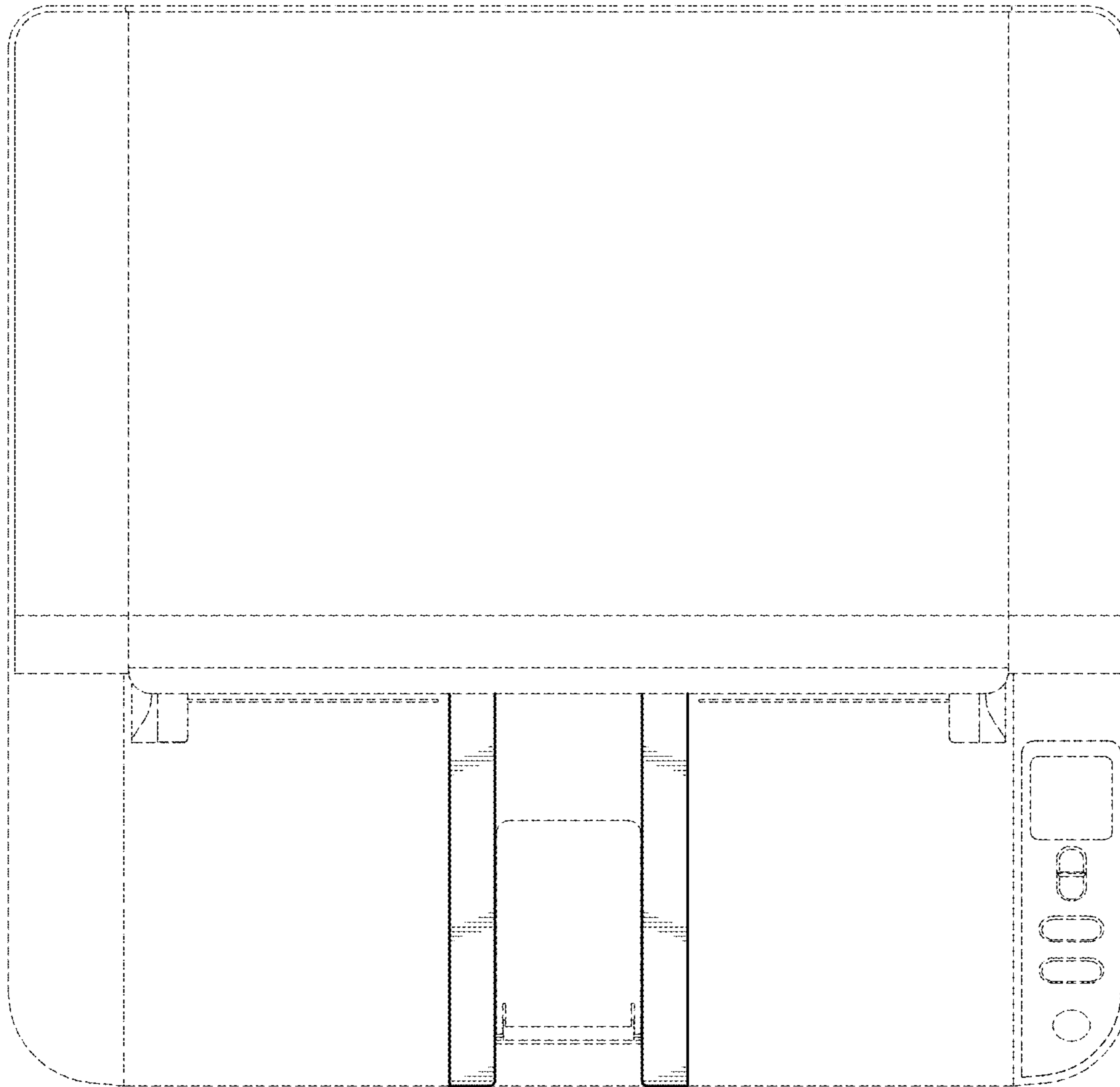


FIG. 12