



US00D886819S

(12) **United States Design Patent**
Lin et al.

(10) **Patent No.:** **US D886,819 S**
(45) **Date of Patent:** **** Jun. 9, 2020**

(54) **NOTEBOOK COMPUTER**

(71) Applicants: **Shu-Hung Lin**, Taipei (TW);
Wang-Hung Yeh, Taipei (TW);
Hsin-Chieh Fang, Taipei (TW);
Ching-Shiang Chang, Taipei (TW);
Che-Hsien Lin, Taipei (TW);
Che-Hsien Chu, Taipei (TW);
Chun-An Shen, Taipei (TW)

(72) Inventors: **Shu-Hung Lin**, Taipei (TW);
Wang-Hung Yeh, Taipei (TW);
Hsin-Chieh Fang, Taipei (TW);
Ching-Shiang Chang, Taipei (TW);
Che-Hsien Lin, Taipei (TW);
Che-Hsien Chu, Taipei (TW);
Chun-An Shen, Taipei (TW)

(73) Assignee: **COMPAL ELECTRONICS, INC.**,
Taipei (TW)

(**) Term: **15 Years**

(21) Appl. No.: **29/644,711**

(22) Filed: **Apr. 19, 2018**

(51) **LOC (12) Cl.** **14-02**

(52) **U.S. Cl.**
USPC **D14/327**

(58) **Field of Classification Search**
USPC D14/315-327, 331, 333-337, 439,
D14/440-444, 448, 450; D18/1-2, 7, 11,
D18/12.2-12.3; D8/323, 325, 327-329
(Continued)

(56) **References Cited**

U.S. PATENT DOCUMENTS

6,206,355 B1 * 3/2001 Lichtenberg B25B 5/003
269/156
D570,500 S * 6/2008 Siemens D25/122
(Continued)

FOREIGN PATENT DOCUMENTS

CN 108874039 * 11/2018 G06F 1/16
DE 3501658 A1 * 7/1986 A63B 25/00
(Continued)

OTHER PUBLICATIONS

Jax Design, How to made hex drivers, posted at Jax Design, posting date May 14, 2017. Site visited May 31, 2019. URL: <<http://www.jax-design.net/2017/05/how-to-make-hex-drivers.html>> (Year: 2017).*
(Continued)

Primary Examiner — Kevin K Rudzinski
Assistant Examiner — Kathleen L Jones
(74) *Attorney, Agent, or Firm* — JCIPRNET

(57) **CLAIM**

The ornamental design for a notebook computer, as shown and described.

DESCRIPTION

FIG. 1 is a front view of a notebook computer showing our new design;
FIG. 2 is a rear view thereof;
FIG. 3 is a left side view thereof;
FIG. 4 is a right side view thereof;
FIG. 5 is a top view thereof;
FIG. 6 is a bottom view thereof;
FIG. 7 is a perspective view of the notebook computer in an opened position;
FIG. 8 is another perspective view of the notebook computer in the opened position;
FIG. 9 is a perspective view of the notebook computer in another opened position showing the display overlapping the keyboard and facing outward;
FIG. 10 is another perspective view thereof showing the keyboard overlapping the display and facing outward;
FIG. 11 is an enlarged view of the circled portion so indicated in FIG. 2 thereof;
FIG. 12 is an enlarged view of the circled portion so indicated in FIG. 2 thereof;

(Continued)

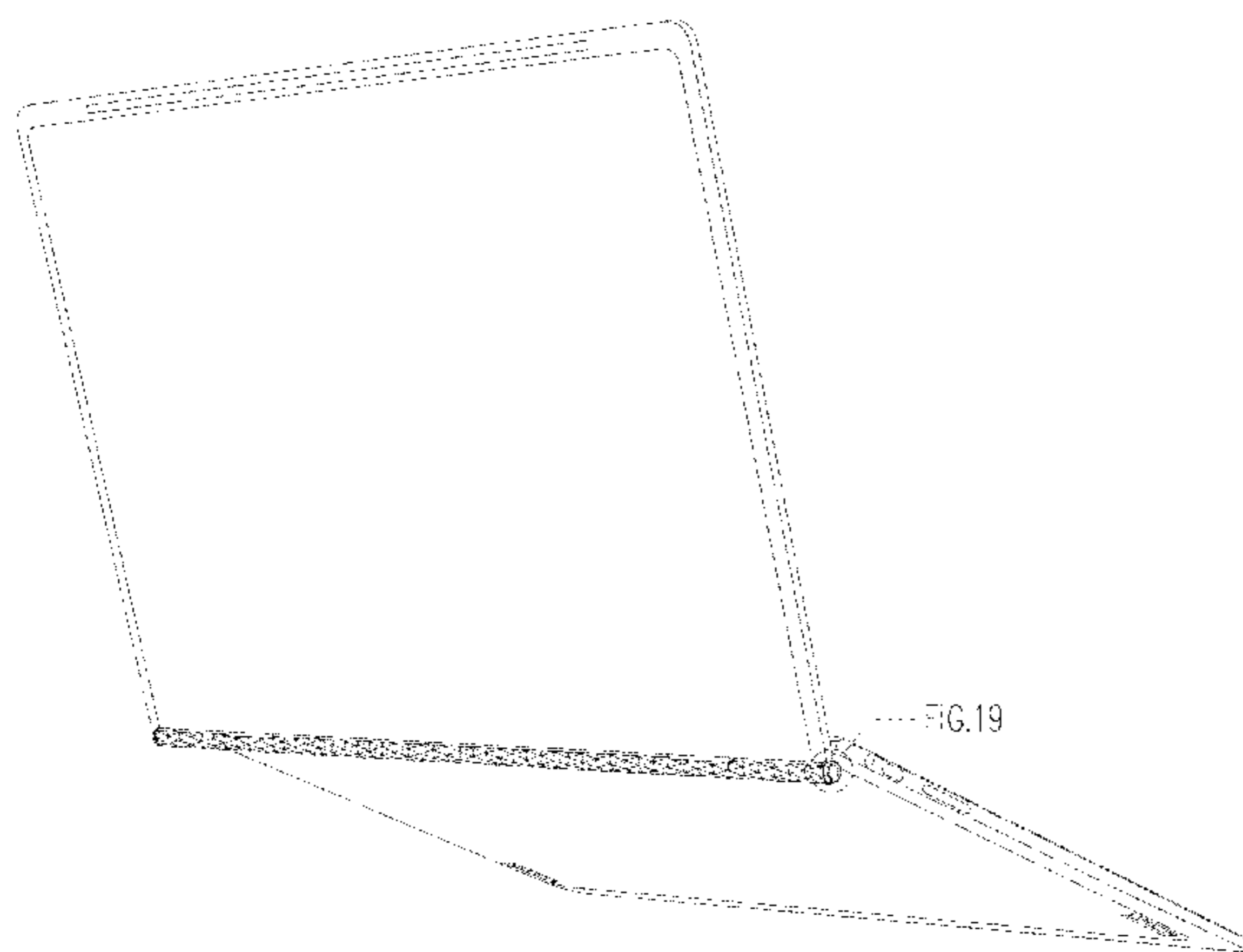


FIG. 13 is an enlarged view of the circled portion so indicated in FIG. 3 thereof;
 FIG. 14 is an enlarged view of the circled portion so indicated in FIG. 4 thereof;
 FIG. 15 is an enlarged view of the circled portion so indicated in FIG. 5 thereof;
 FIG. 16 is an enlarged view of the circled portion so indicated in FIG. 5 thereof;
 FIG. 17 is an enlarged view of the circled portion so indicated in FIG. 6 thereof;
 FIG. 18 is an enlarged view of the circled portion so indicated in FIG. 6 thereof;
 FIG. 19 is an enlarged view of the circled portion so indicated in FIG. 7 thereof;
 FIG. 20 is an enlarged view of the circled portion so indicated in FIG. 8 thereof; and,
 FIG. 21 is an enlarged view of the circled portion so indicated in FIG. 9 thereof.
 The dashed broken lines illustrate portions of the notebook computer and form no part of the claimed design.

1 Claim, 19 Drawing Sheets

(58) **Field of Classification Search**

CPC G06F 1/16; G06F 1/1637; G06F 1/1613;
 G06F 1/1616; G06F 1/1618; G06F 1/162;
 G06F 1/1654; G06F 1/1681; G06F
 1/1632; G06F 1/1656; G06F 1/1686;
 G06F 3/011; F16M 11/06; F16M 11/10;
 F16M 11/14; H05K 5/0226; H02B 1/38;
 E05D 11/1078

See application file for complete search history.

(56) **References Cited**

U.S. PATENT DOCUMENTS

D630,221 S * 1/2011 Sogabe D14/315
 D645,855 S * 9/2011 Lin D14/315
 D684,965 S * 6/2013 Lam D14/327
 D695,286 S * 12/2013 Katz D14/306
 8,875,348 B2 * 11/2014 Kossett G06F 1/1681
 16/342
 9,411,365 B1 * 8/2016 Tanner G06F 1/1618
 9,448,583 B1 * 9/2016 Lee G06F 1/16
 9,483,083 B1 * 11/2016 Zaloom G06F 1/1679
 9,506,281 B1 * 11/2016 Zaloom E05D 11/1028
 D816,579 S * 5/2018 Harvey D12/306
 D863,935 S * 10/2019 Aoki G06F 1/1681
 D8/329
 D869,457 S * 12/2019 Tzou D14/317
 D871,393 S * 12/2019 Moon D14/327
 D871,394 S * 12/2019 Jung D14/327

2004/0250377 A1 * 12/2004 Park E05F 3/20
 16/50
 2005/0034274 A1 * 2/2005 Wu E05D 11/08
 2006/0084466 A1 * 4/2006 Lee G06F 1/1616
 455/550.1
 2007/0011848 A1 * 1/2007 Lu G06F 1/1616
 16/340
 2007/0294859 A1 * 12/2007 Hsu H04M 1/0216
 16/330
 2008/0109993 A1 * 5/2008 Myeong G06F 1/1616
 16/277
 2008/0136297 A1 * 6/2008 Huang G06F 1/1616
 312/219
 2008/0141493 A1 * 6/2008 Hsu F16M 11/10
 16/337
 2008/0307605 A1 * 12/2008 Chern, Jr. G06F 1/1616
 16/221
 2009/0244009 A1 * 10/2009 Staats G06F 1/162
 345/168
 2013/0021738 A1 * 1/2013 Yang G06F 1/1616
 361/679.27
 2013/0182403 A1 * 7/2013 Yang G06F 1/1681
 361/809
 2015/0176302 A1 * 6/2015 Duqum E04H 15/60
 135/114
 2016/0069115 A1 * 3/2016 Ju H05K 5/0226
 16/342
 2016/0098097 A1 * 4/2016 Chang G06F 3/0221
 345/169
 2016/0290597 A1 * 10/2016 Jurik F21V 11/186
 2017/0007495 A1 * 1/2017 Norwood A61H 15/0092
 2017/0235337 A1 * 8/2017 Vic E05D 3/12
 361/679.55
 2017/0336733 A1 * 11/2017 Adachi G03G 15/0889
 2018/0187363 A1 * 7/2018 Jang D06F 39/14
 2019/0166703 A1 * 5/2019 Kim H05K 5/0017
 2019/0254194 A1 * 8/2019 Paavola F28D 15/0208
 2019/0258300 A1 * 8/2019 Gerardi H04M 1/0264
 2019/0391621 A1 * 12/2019 Tsukasaki G06F 1/1683
 2020/0000430 A1 * 1/2020 Chamberlain A61B 8/4444

FOREIGN PATENT DOCUMENTS

JP 05293883 A * 11/1993
 JP 6366144 B2 * 8/2018
 TW 217602 12/1993

OTHER PUBLICATIONS

Tomisl.z, Shiny hexagon metal bars background, posted at Deposit Photos, posting date Apr. 27, 2015. Site visited May 31, 2019. URL: <<https://depositphotos.com/20717347/stock-photo-shiny-hexagon-metal-bars-background.html>> (Year: 2015).*
 Acer Predator Helios 300, posted at TechSpot, Review posted Oct. 30, 2017. Site visited Jan. 17, 2019. URL: <<https://www.techspot.com/products/laptops/acer-predator-helios-300-ph317-51.165020/>> (Year: 2017).*

* cited by examiner

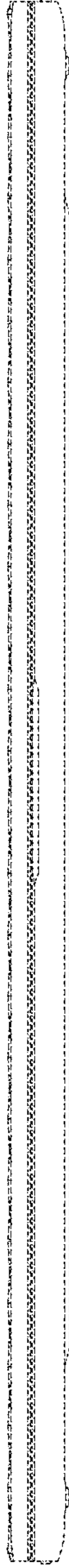


FIG. 1

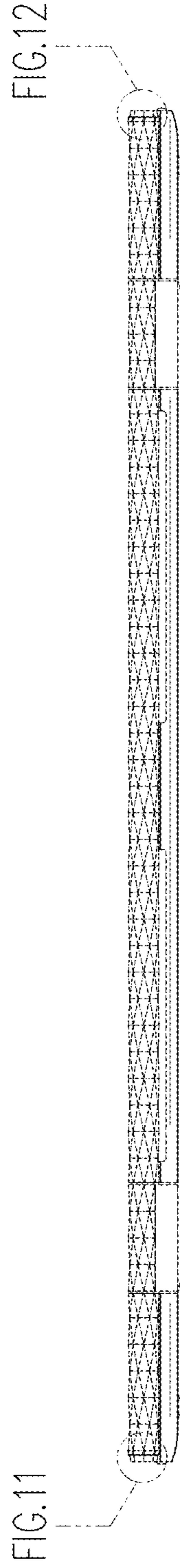


FIG. 2

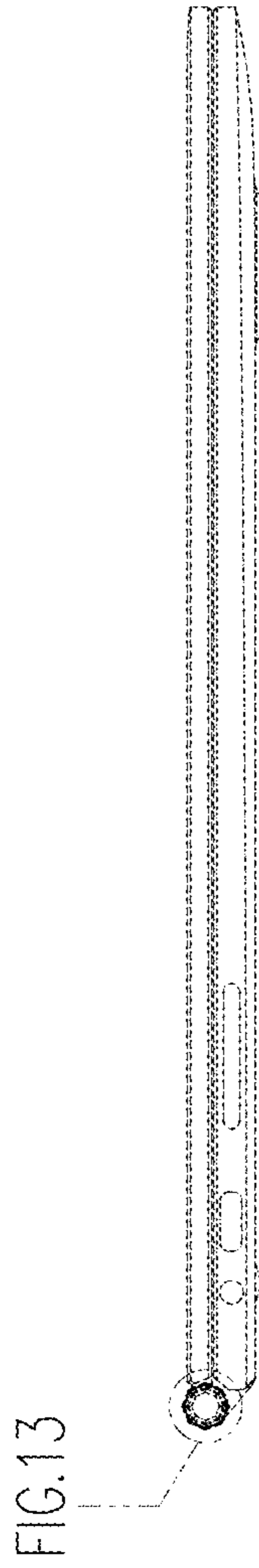


FIG. 3

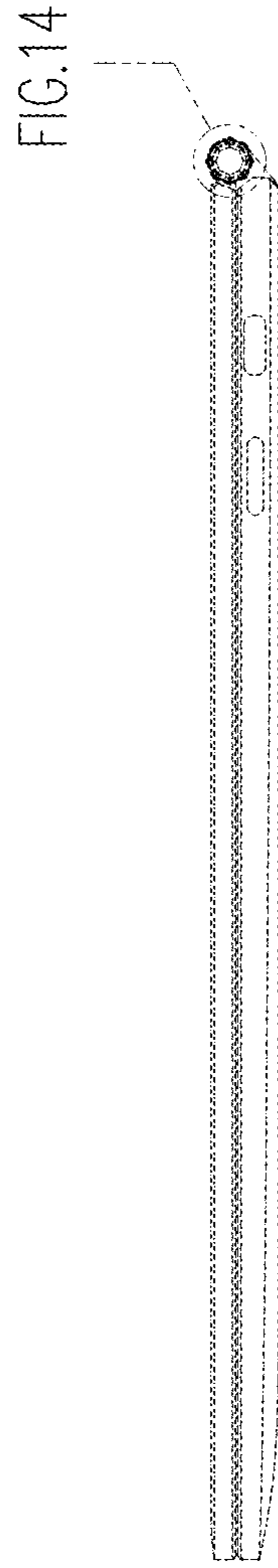


FIG. 4

FIG.16

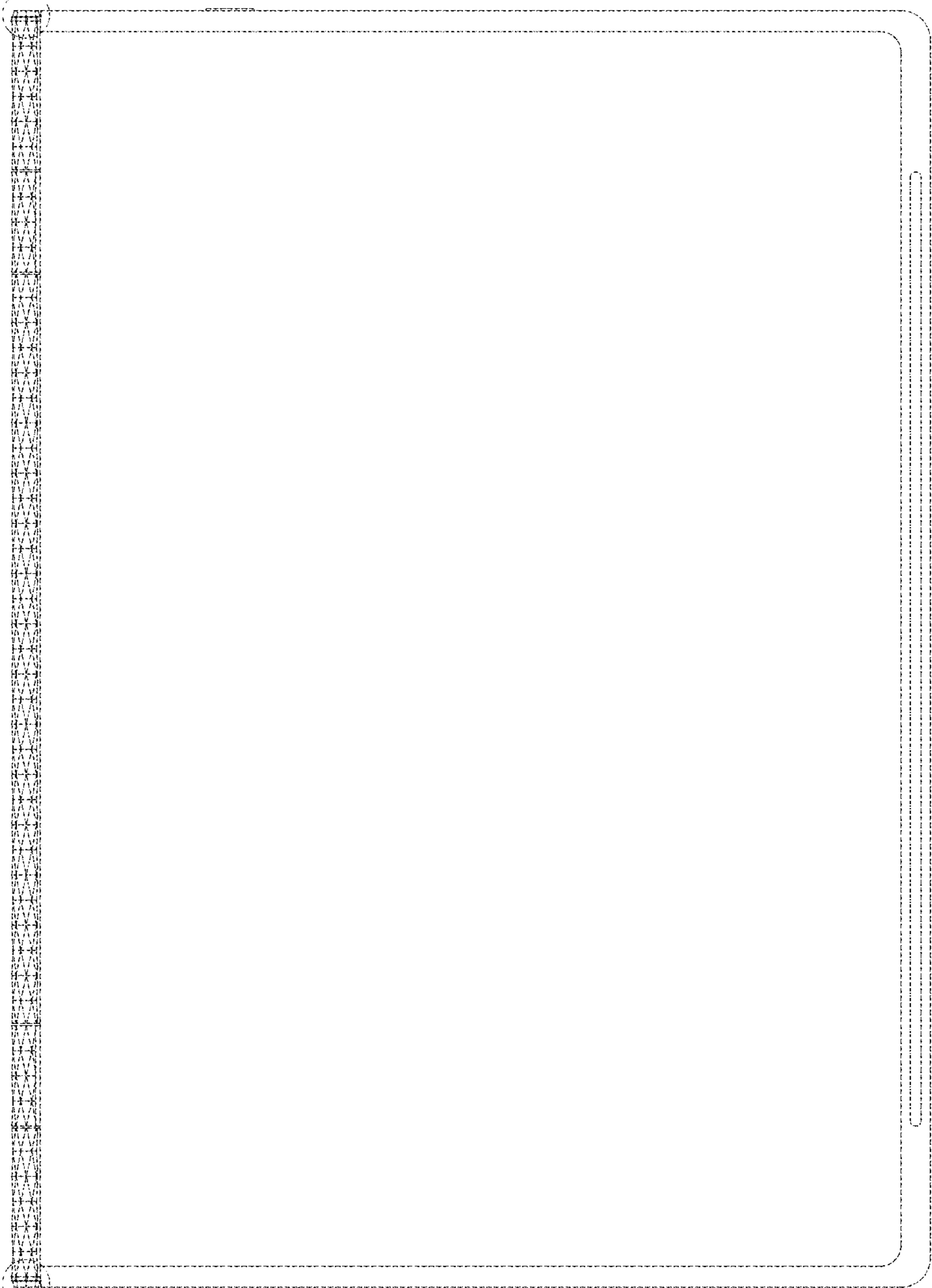
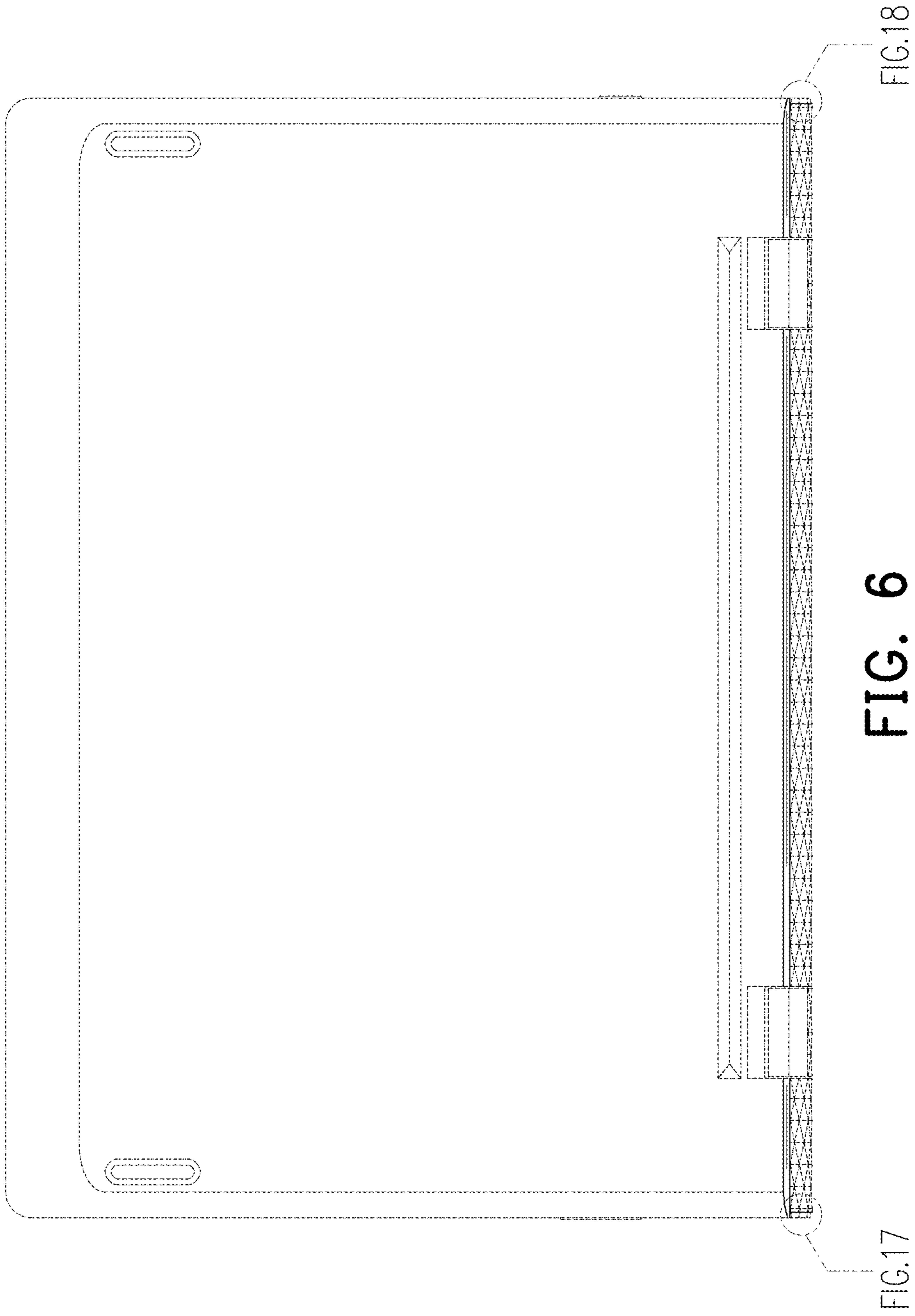


FIG.15

FIG. 5



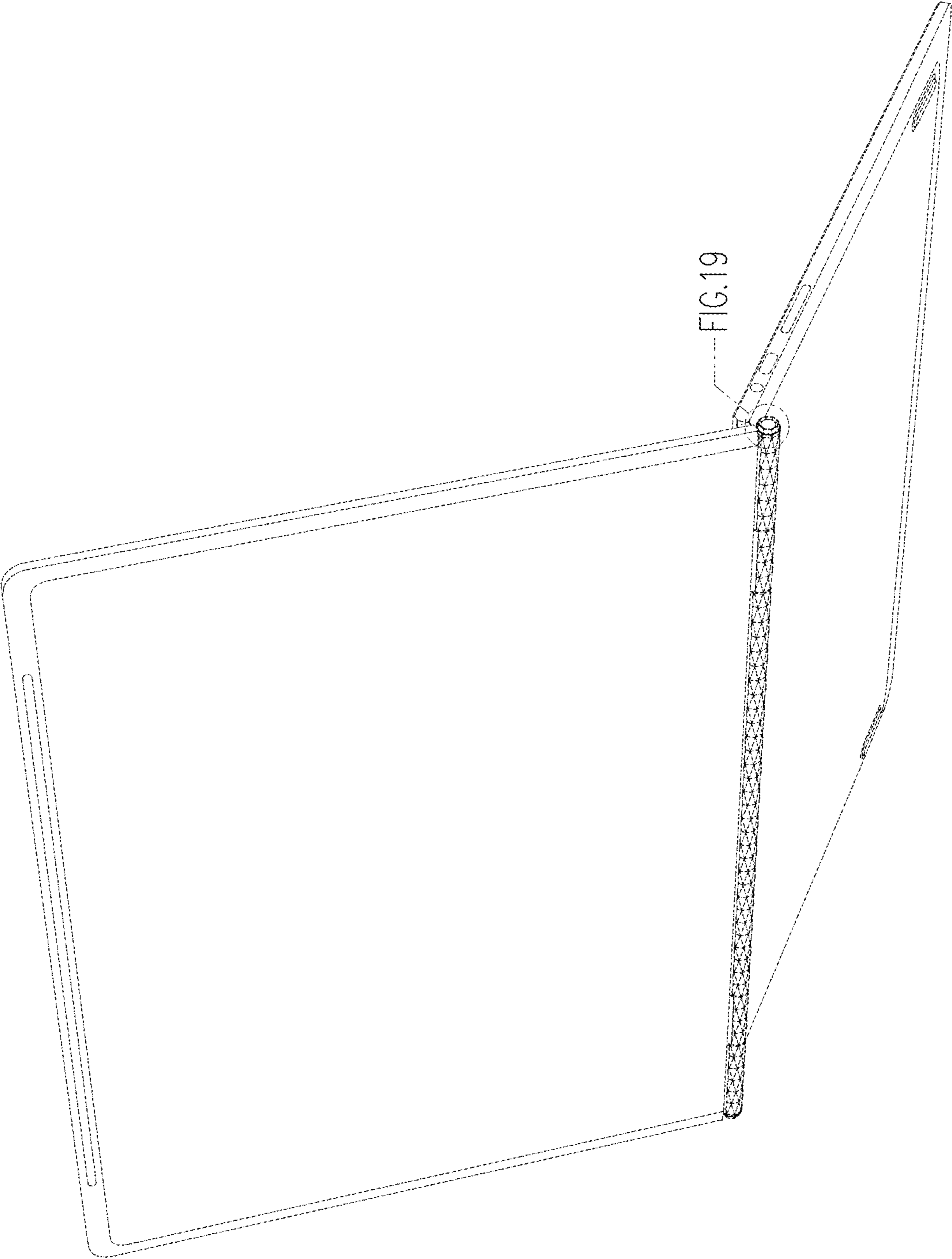


FIG. 7

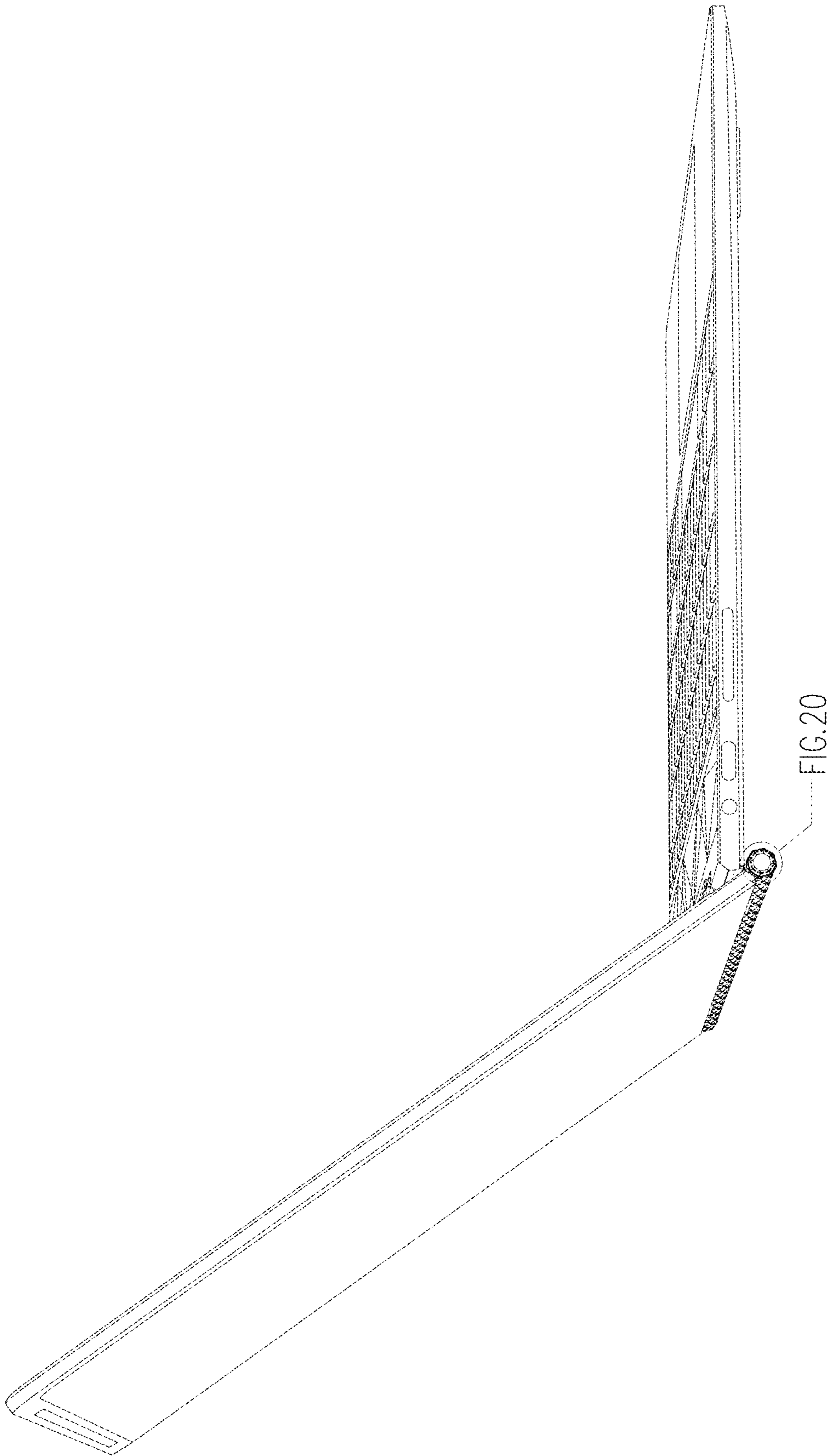


FIG. 8

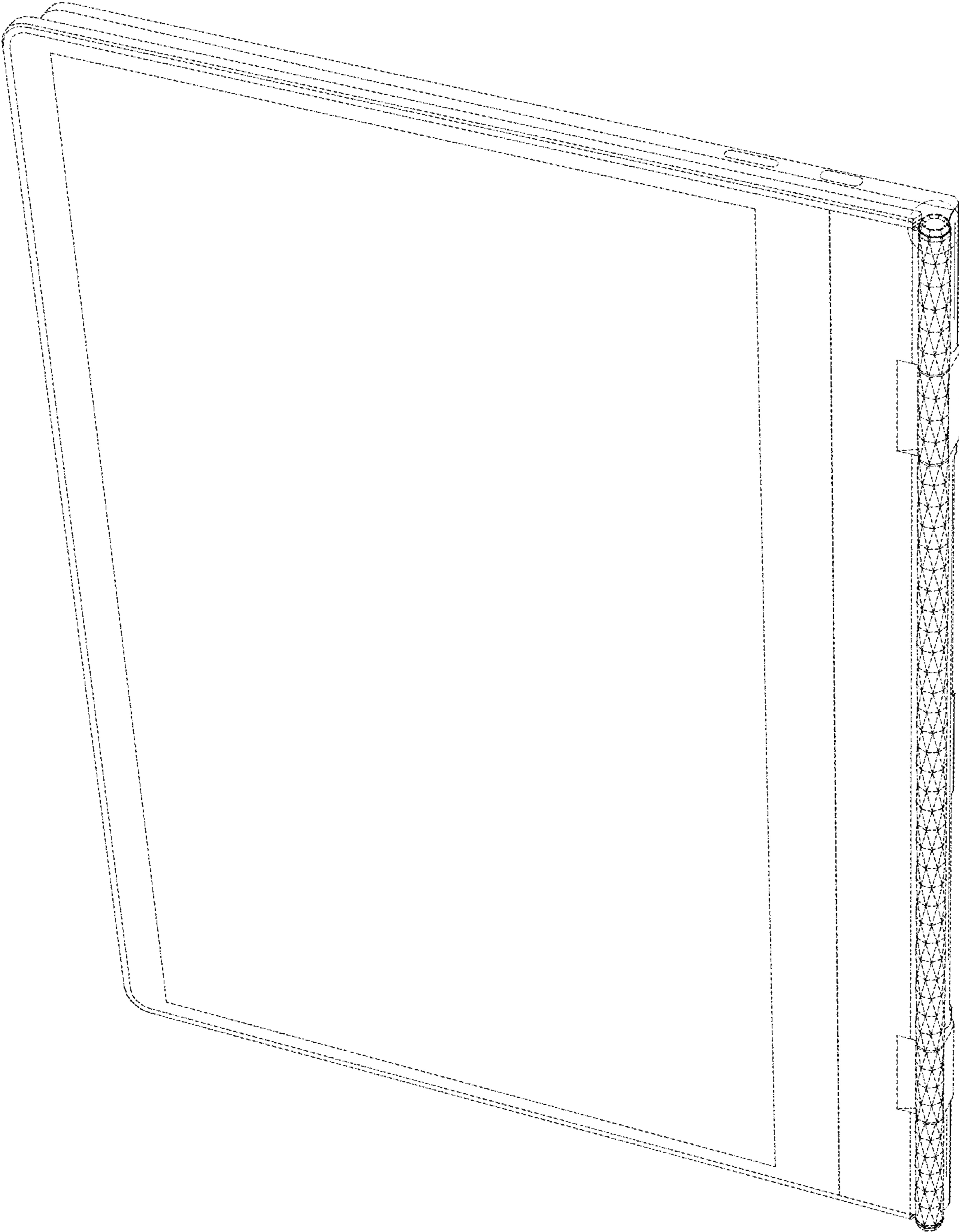


FIG. 9

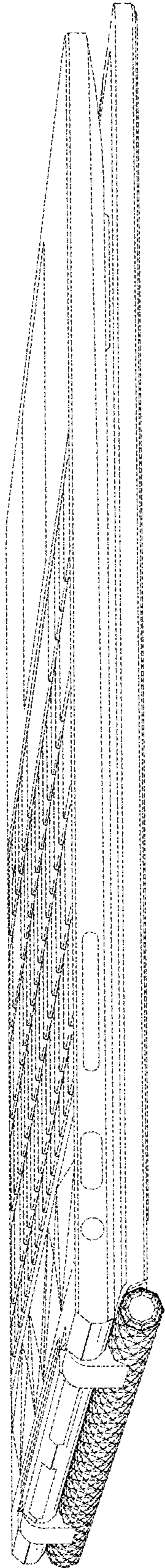


FIG. 10

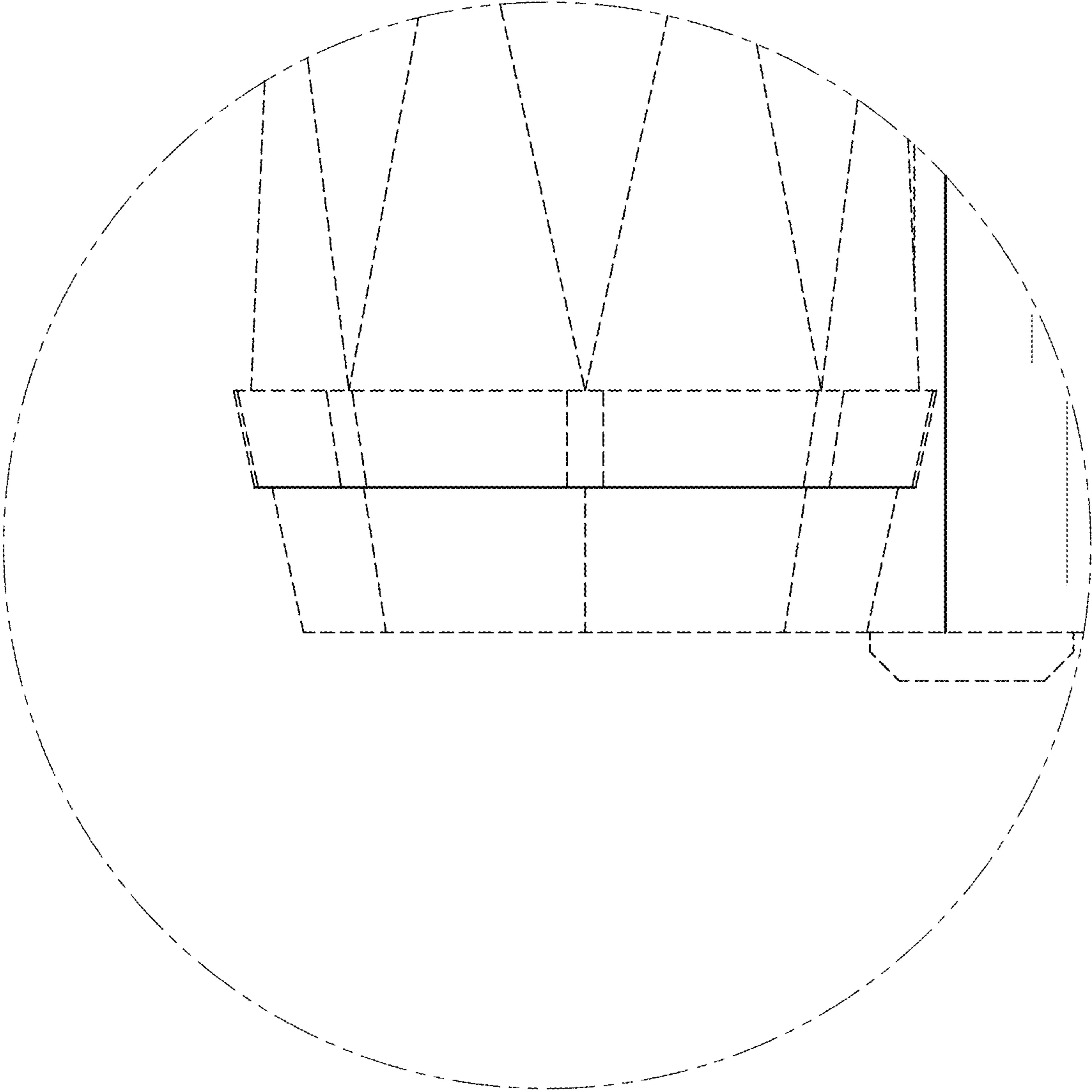


FIG. 11

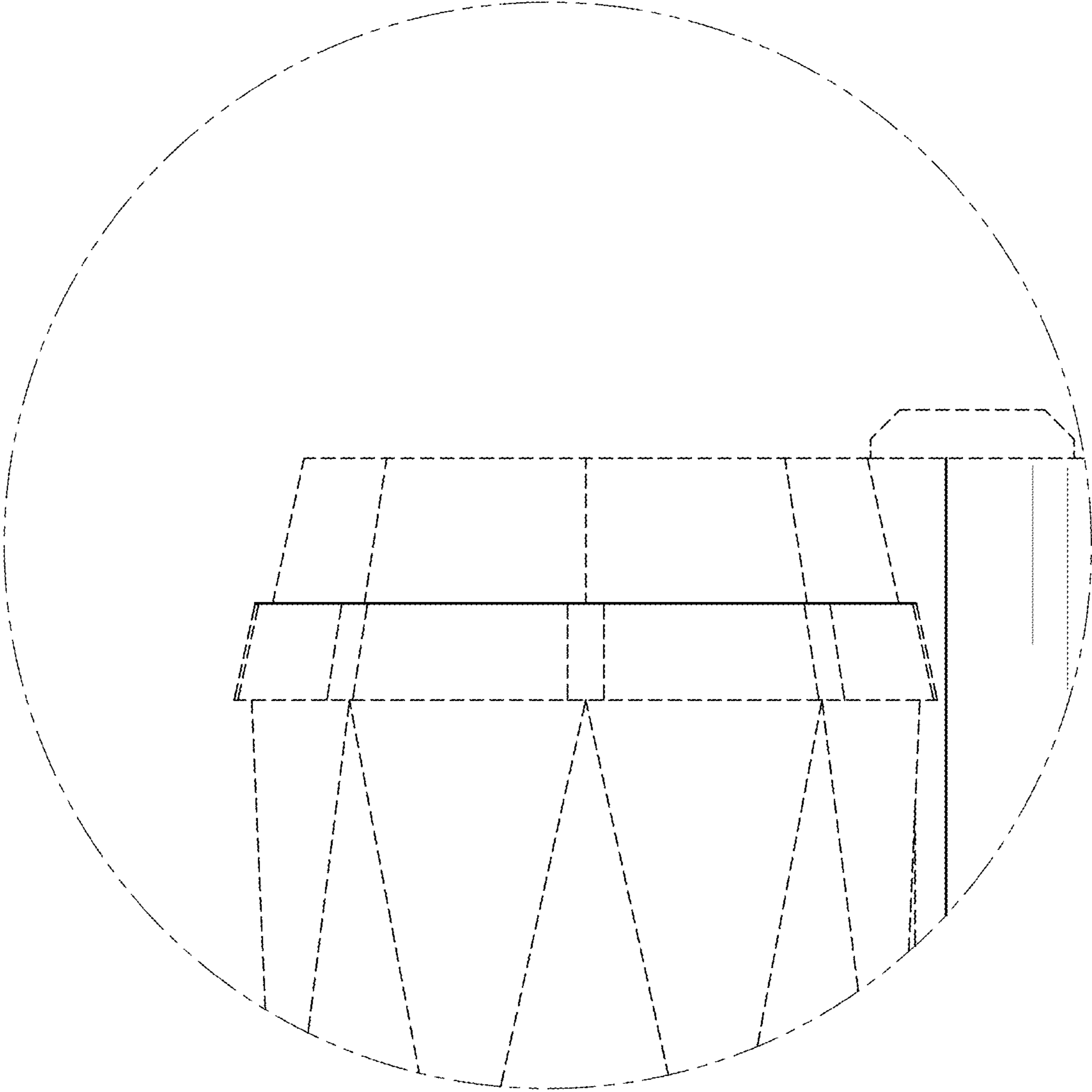


FIG. 12

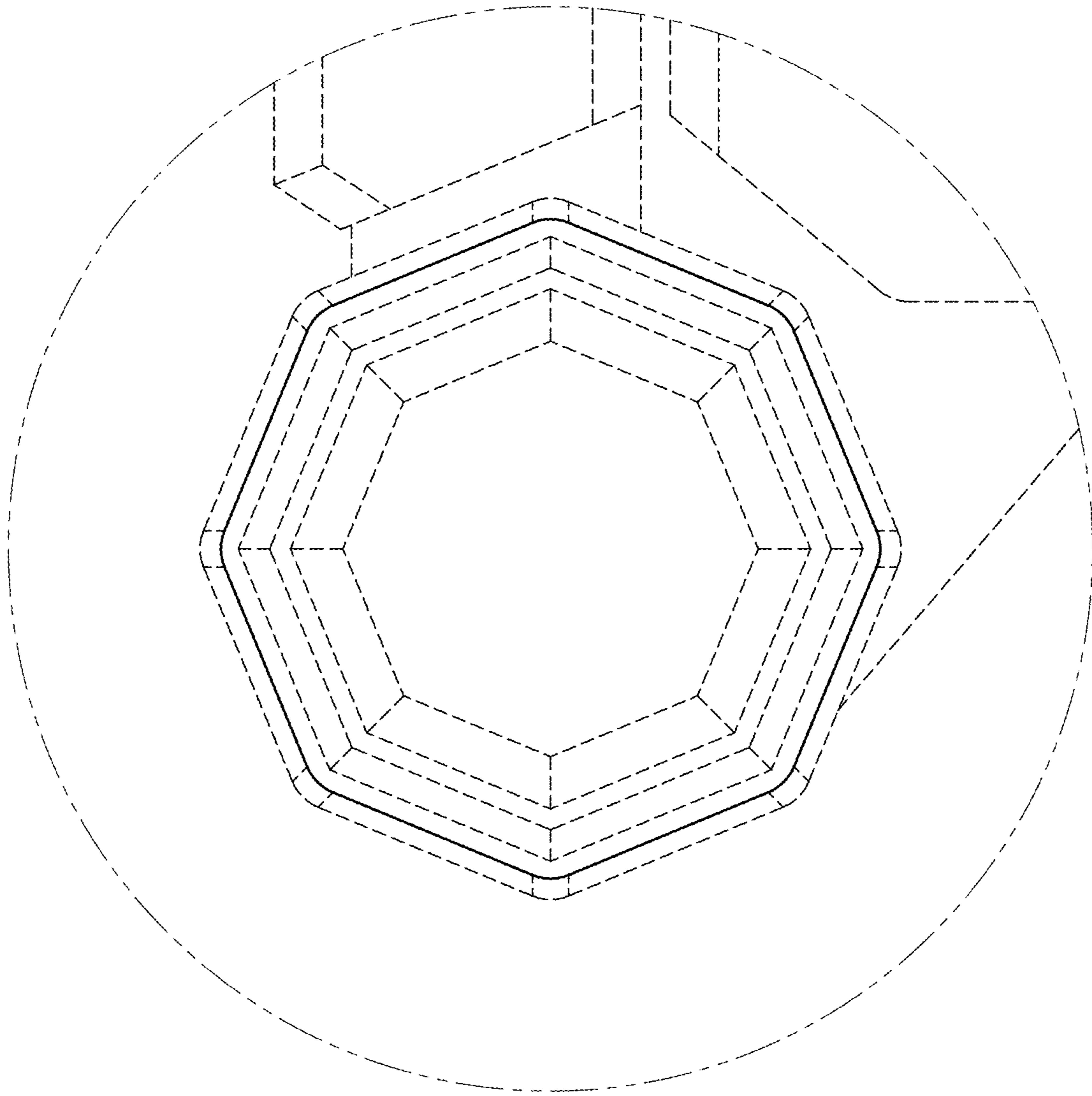


FIG. 13

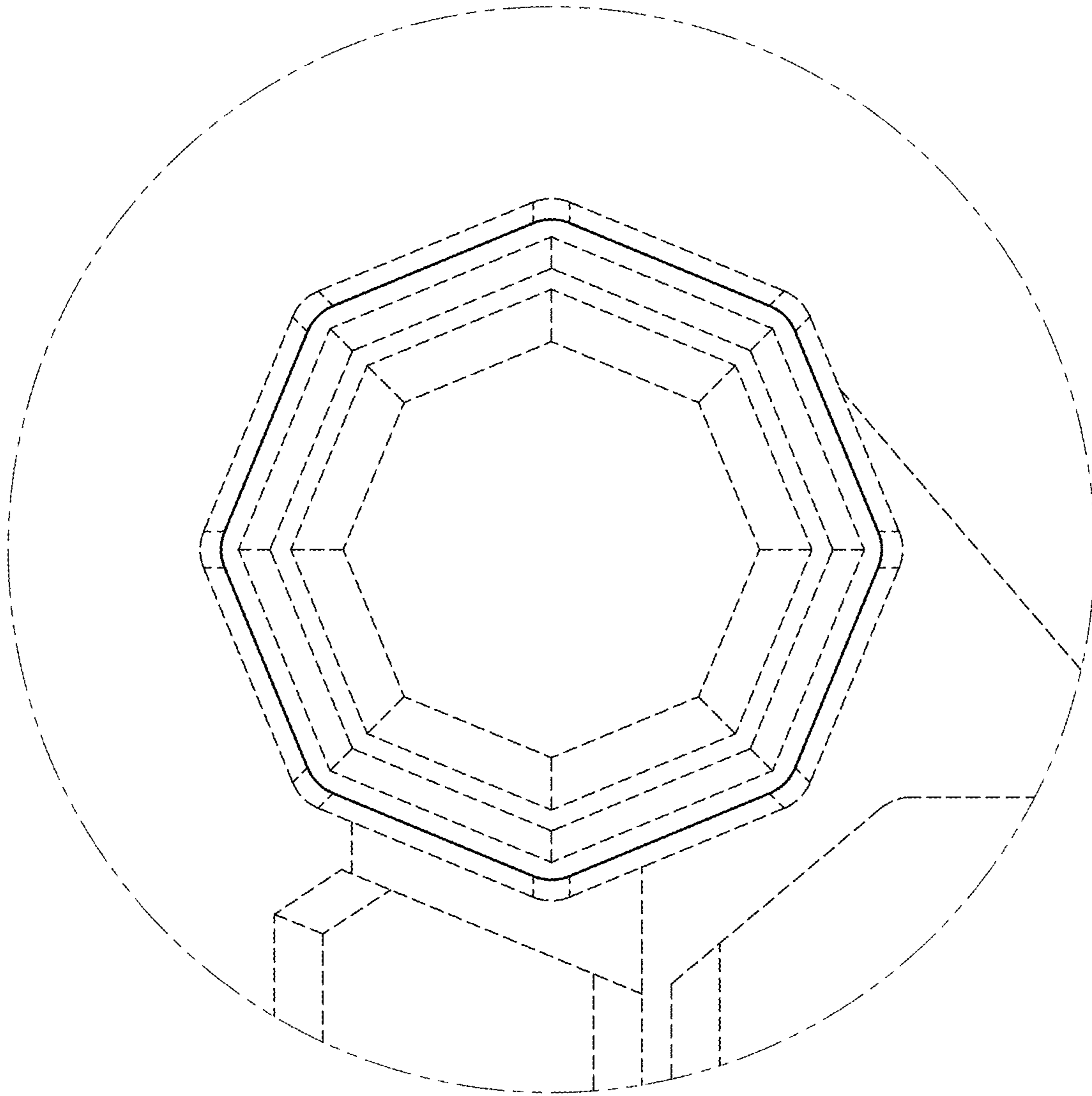


FIG. 14

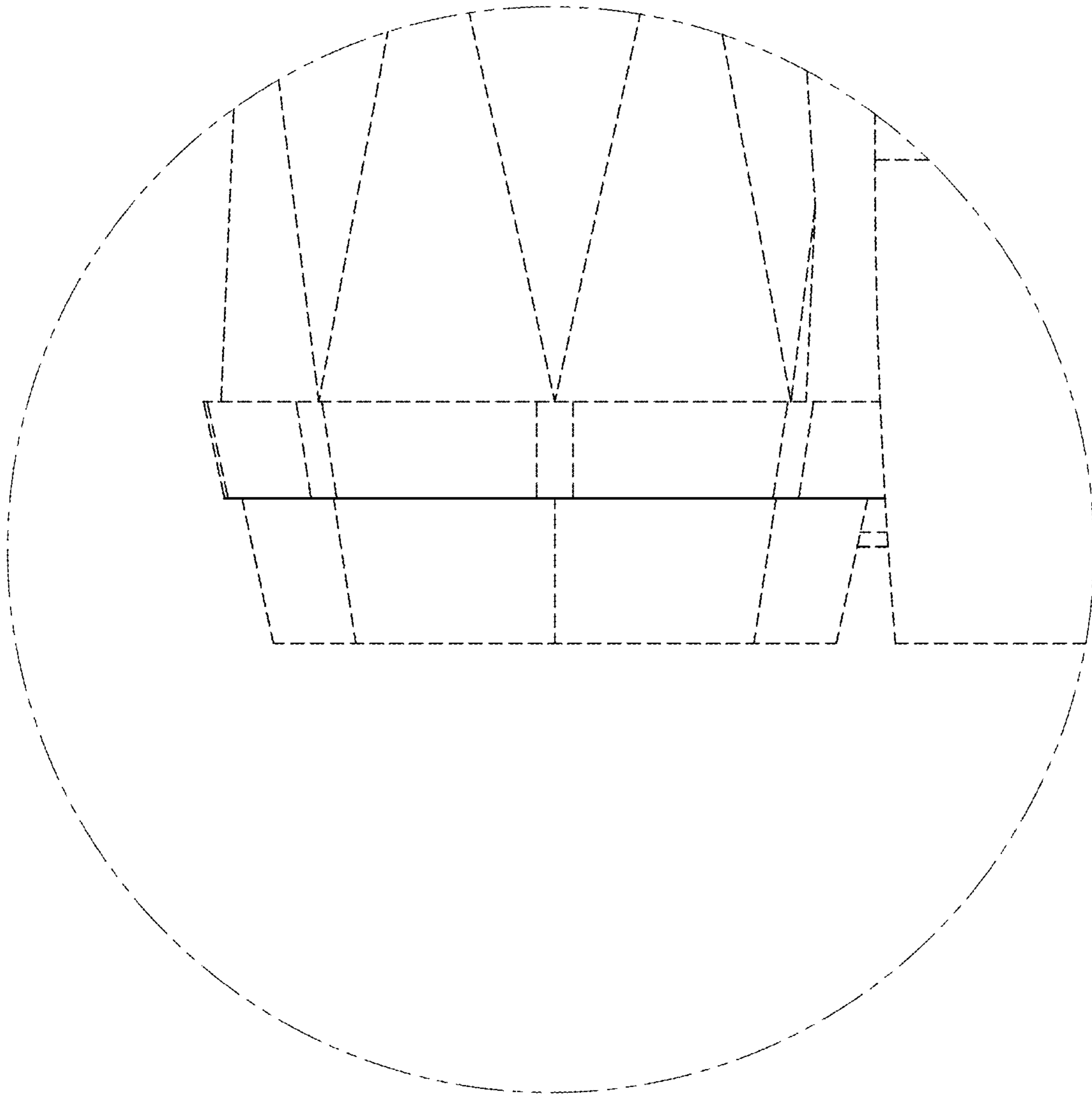


FIG. 15

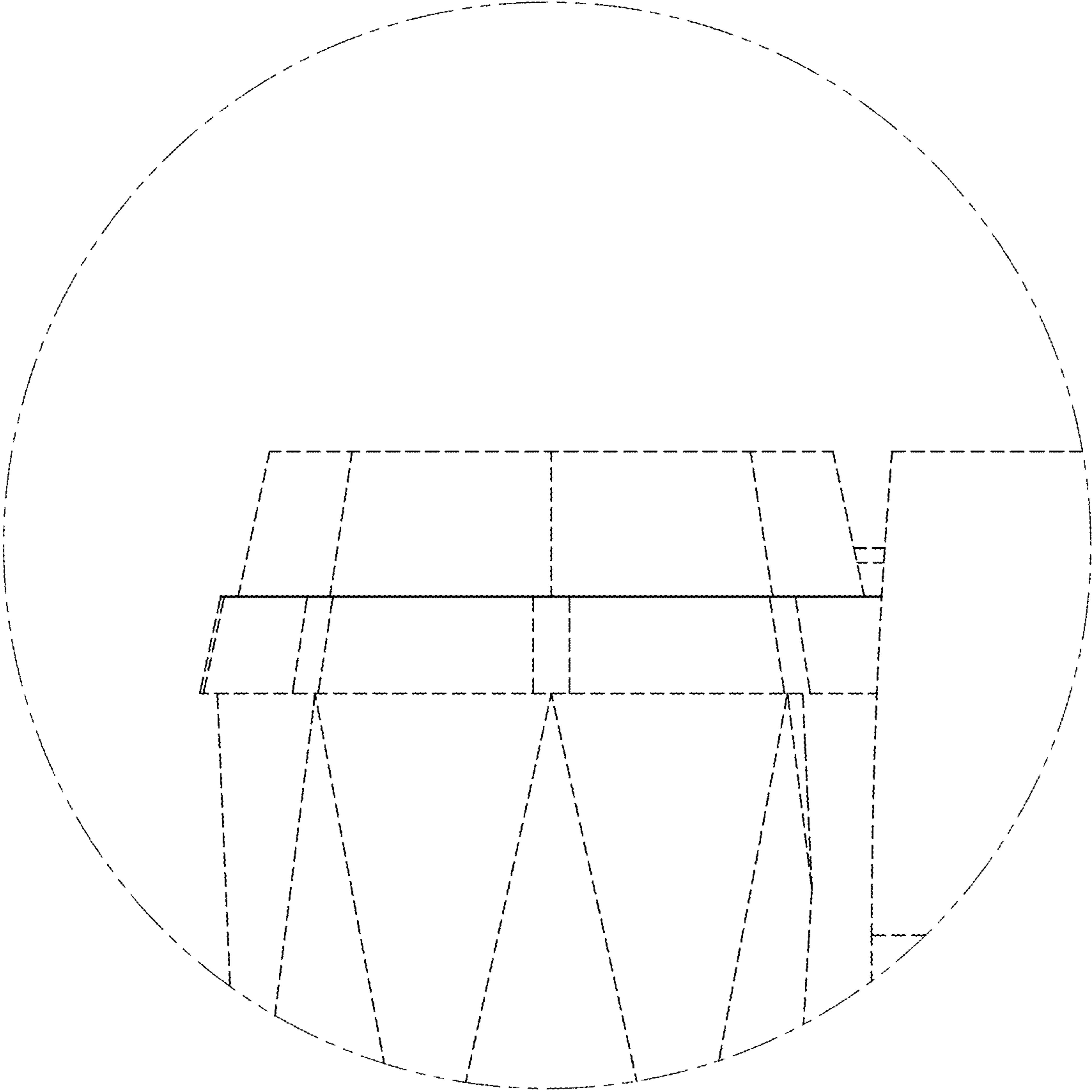


FIG. 16

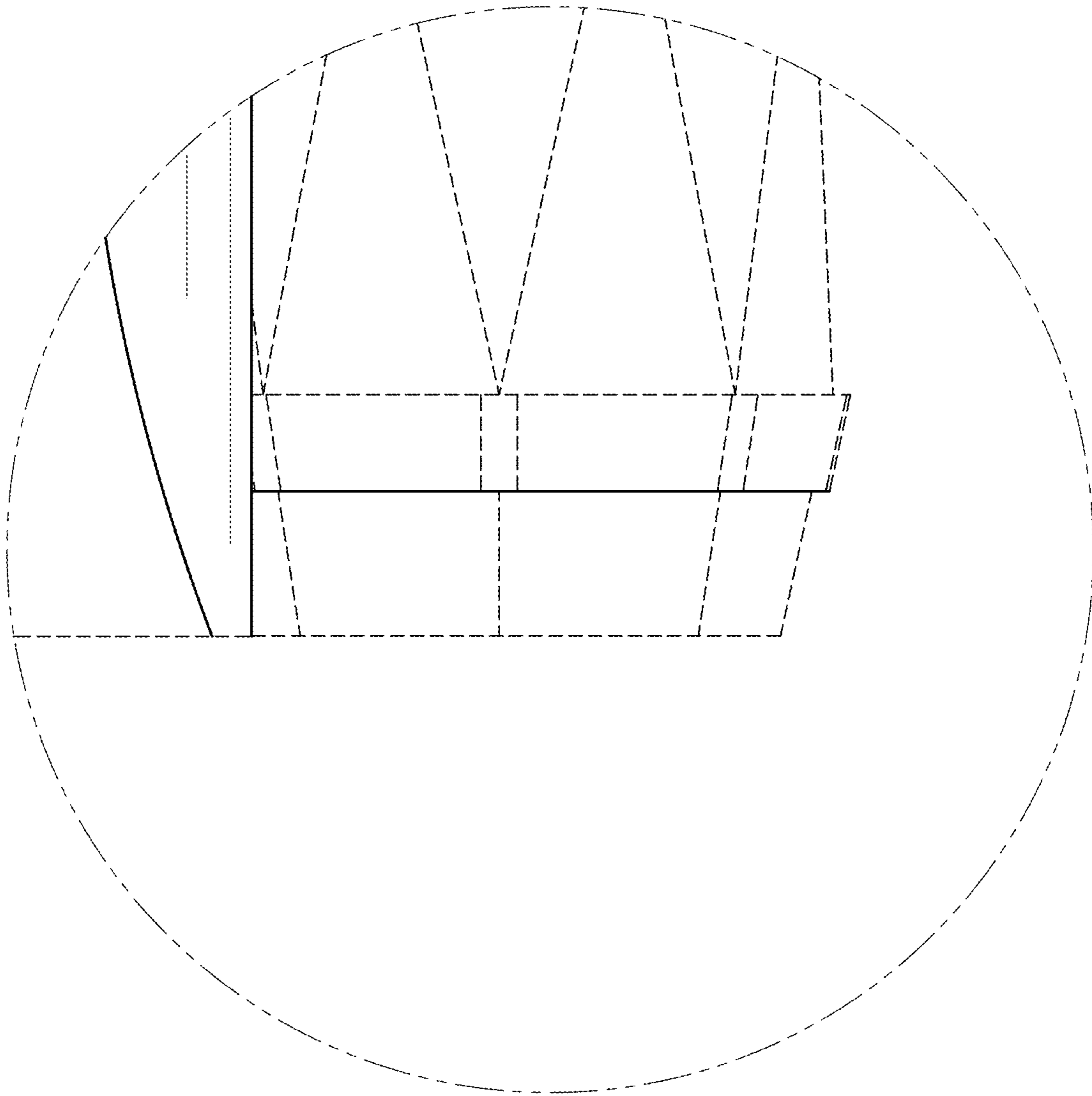


FIG. 17

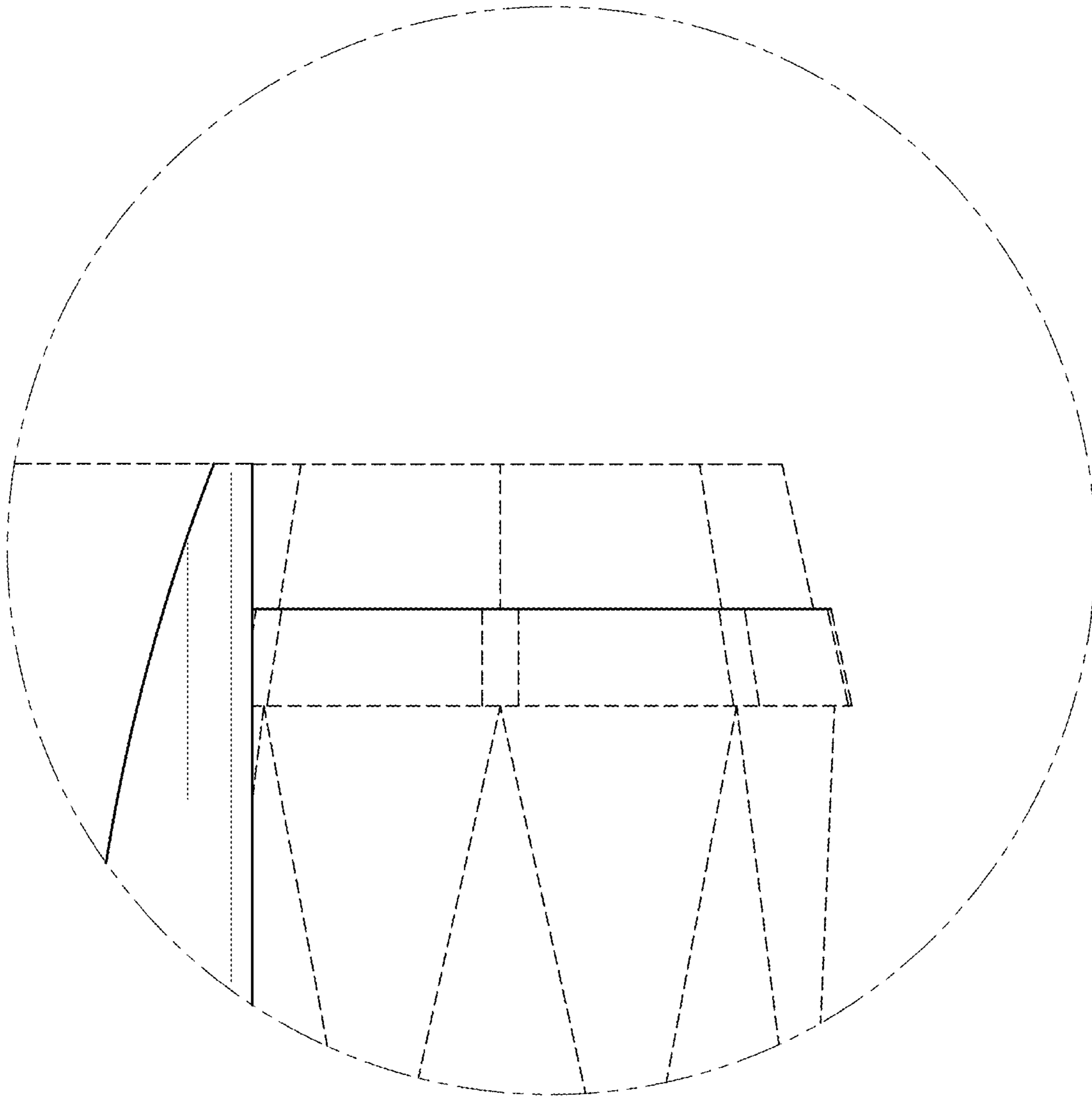


FIG. 18

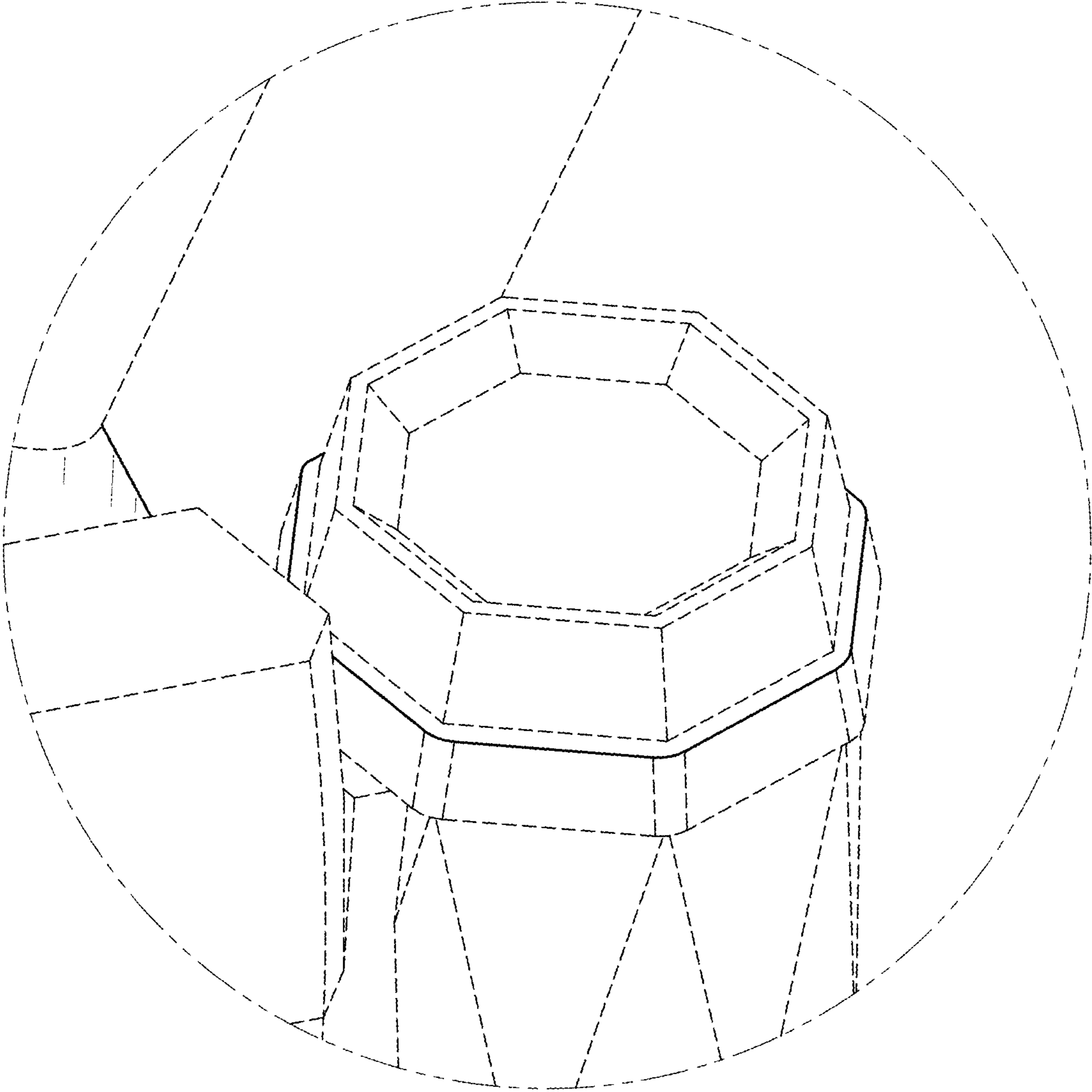


FIG. 19

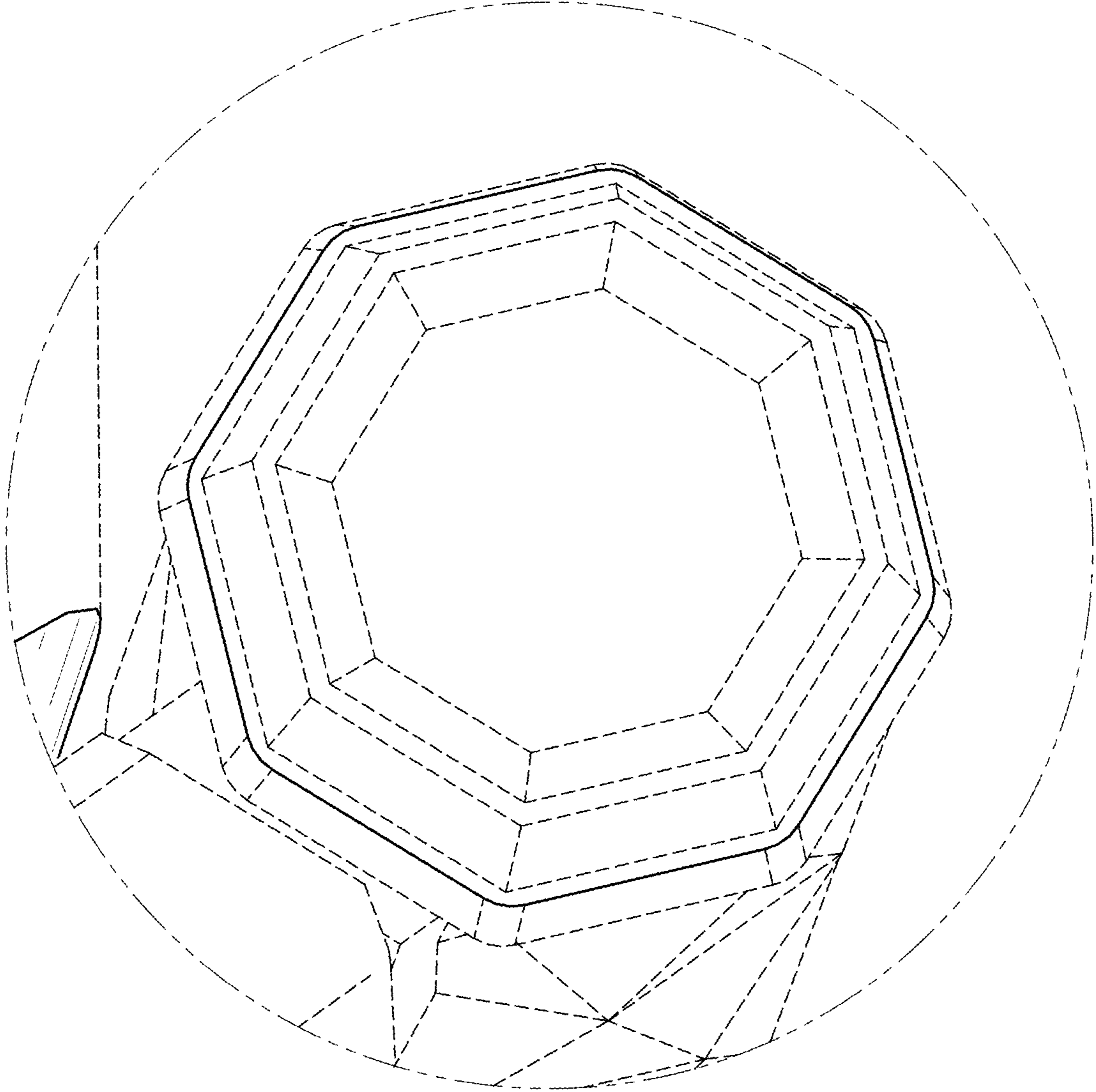


FIG. 20

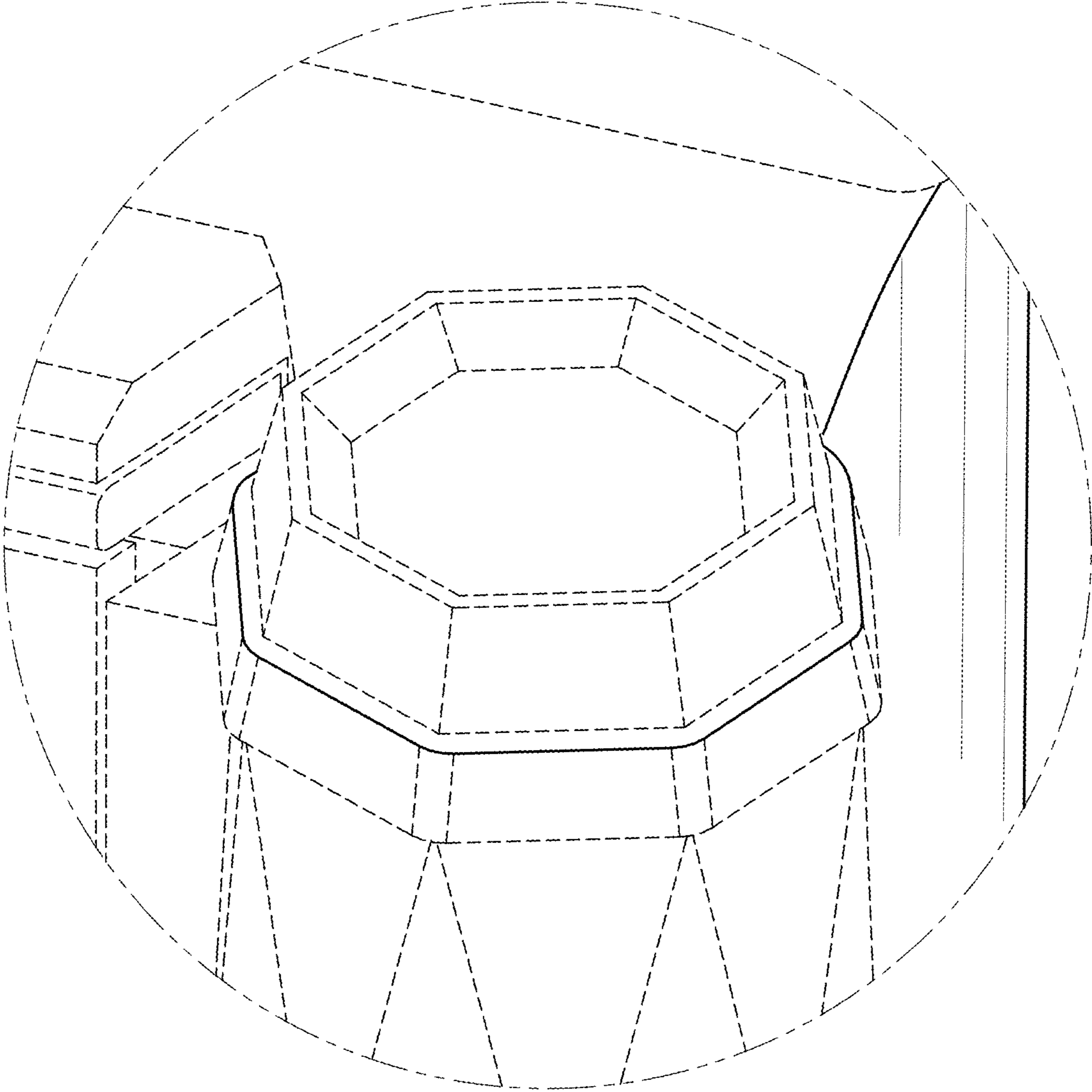


FIG. 21