



US00D886817S

(12) **United States Design Patent**
Turner

(10) **Patent No.:** **US D886,817 S**
(45) **Date of Patent:** **** Jun. 9, 2020**

(54) **RADIO MOUNT**

(71) Applicant: **Daystar Products International, Inc.**,
Phoenix, AZ (US)

(72) Inventor: **Mark Alan Turner**, Tempe, AZ (US)

(73) Assignee: **Daystar Products International, Inc.**,
Phoenix, AZ (US)

(**) Term: **15 Years**

(21) Appl. No.: **29/675,415**

(22) Filed: **Dec. 31, 2018**

(51) **LOC (12) Cl.** **14-03**

(52) **U.S. Cl.**
USPC **D14/258**

(58) **Field of Classification Search**
USPC D12/192, 195, 415, 420; D14/496,
D14/498-511, 137, 154, 157, 168-171,
D14/188-198, 257-258; 248/27.1, 27.3,
248/558; 455/347, 350
CPC B60R 11/02; B60K 37/04; B60K 37/06
See application file for complete search history.

(56) **References Cited**

U.S. PATENT DOCUMENTS

D481,708 S * 11/2003 Quilling, II D14/258
D531,163 S * 10/2006 Kaner D14/258
D574,799 S * 8/2008 Cronmiller D14/258
D644,621 S * 9/2011 Abe D14/137

D769,237 S * 10/2016 Fiore, IV D14/258
10,017,122 B2 * 7/2018 Hirota B60R 7/04
10,076,957 B2 * 9/2018 Inagaki B60R 11/0258

* cited by examiner

Primary Examiner — Sandra L Morris

(74) *Attorney, Agent, or Firm* — Lowe Graham Jones
PLLC

(57) **CLAIM**

I claim the ornamental design for a radio mount, as shown
and described.

DESCRIPTION

FIG. 1 is a front right perspective view of a radio mount,
showing my new design.

FIG. 2 is a front left perspective view of the radio mount.

FIG. 3 is a left view of the radio mount.

FIG. 4 is a right view of the radio mount.

FIG. 5 is a front view of the radio mount.

FIG. 6 is a rear view of the radio mount.

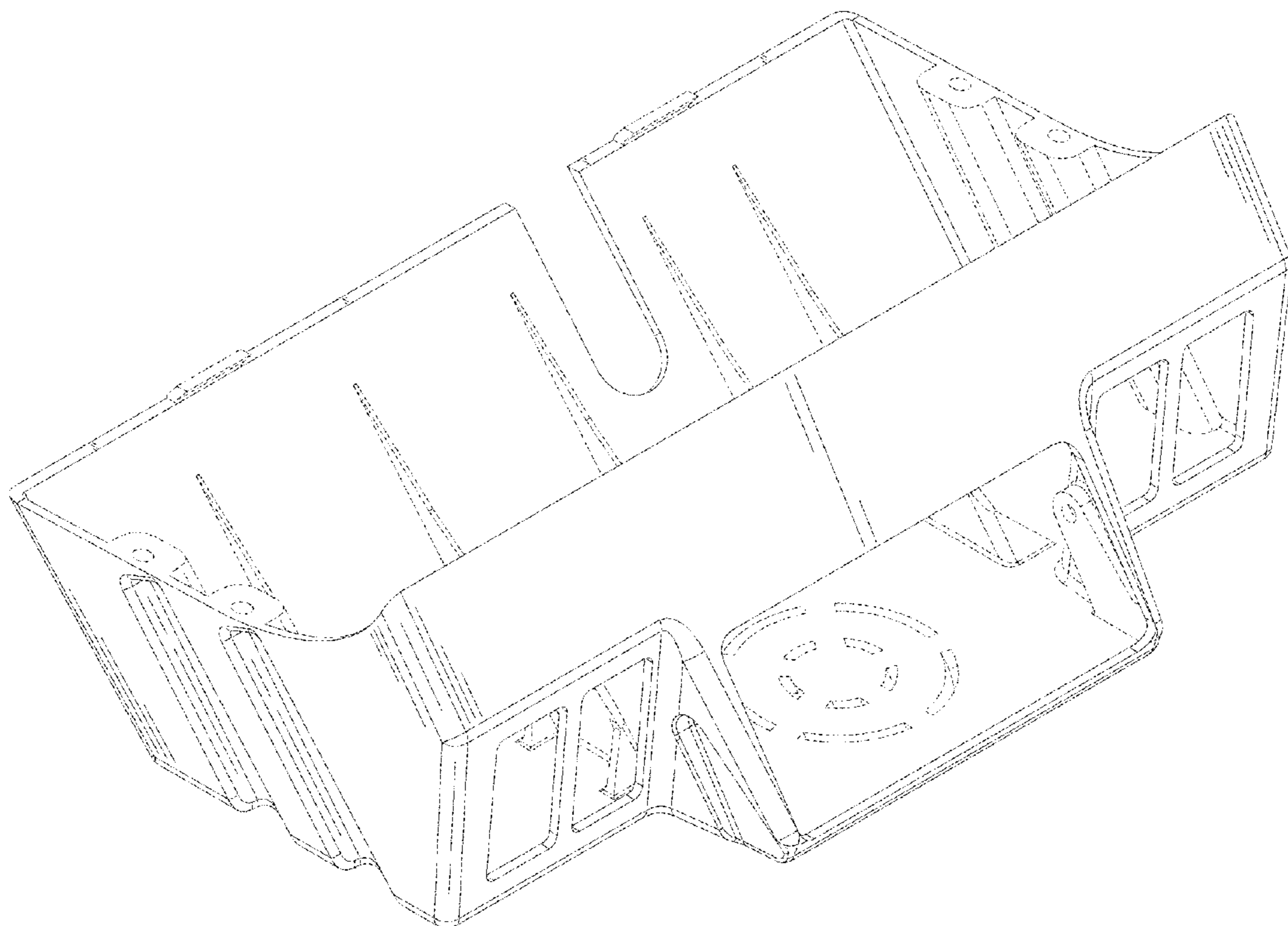
FIG. 7 is a top view of the radio mount; and,

FIG. 8 is a bottom view of the radio mount.

The surface shading is for purposes of illustrating the
character and/or contour of the surfaces of the claimed
invention and forms no part of the claimed design.

The broken line showing of parts of the drawings is included
for the purpose of illustrating use and environment and
forms no part of the claimed design.

1 Claim, 8 Drawing Sheets



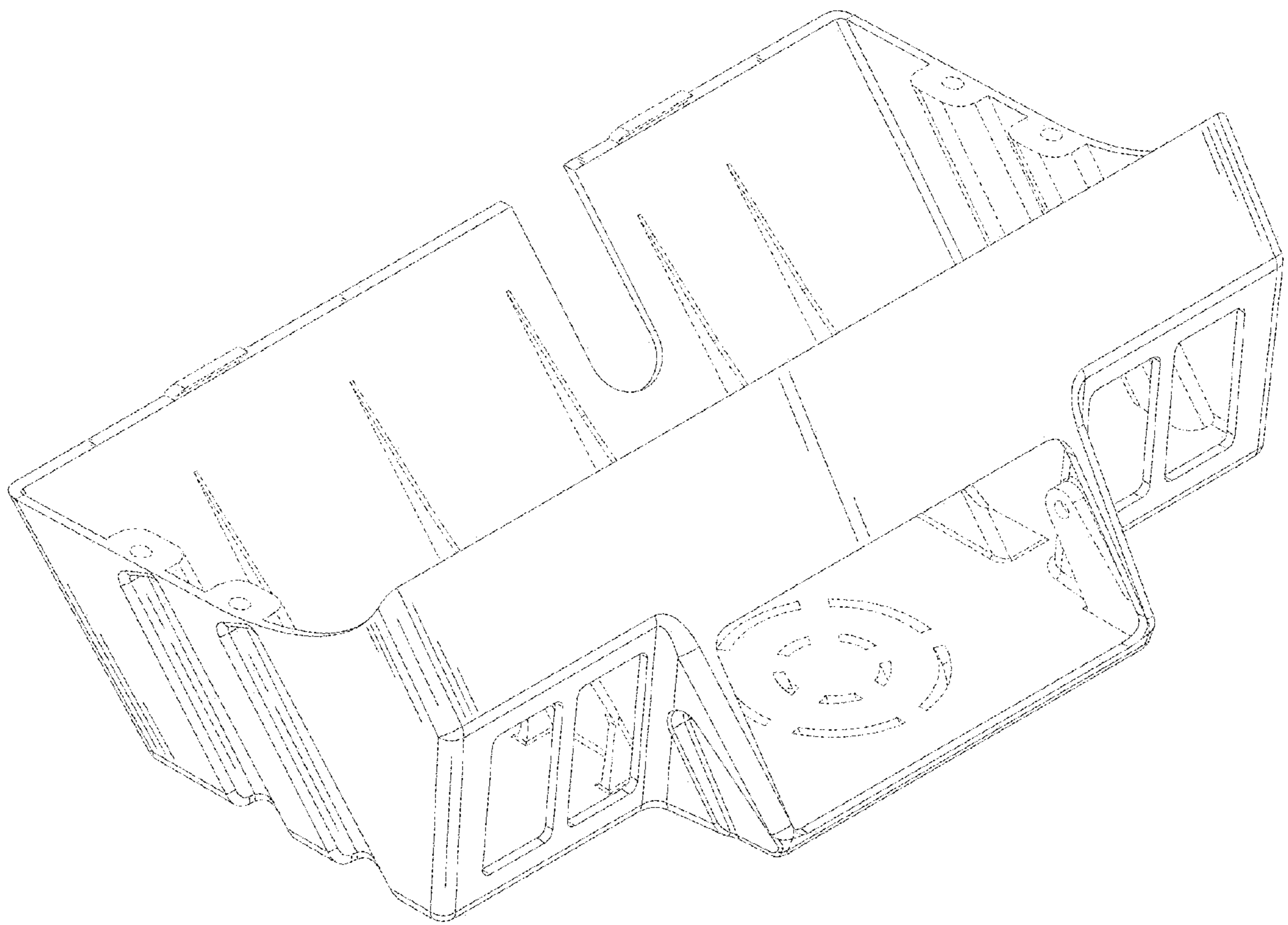


FIG. 1

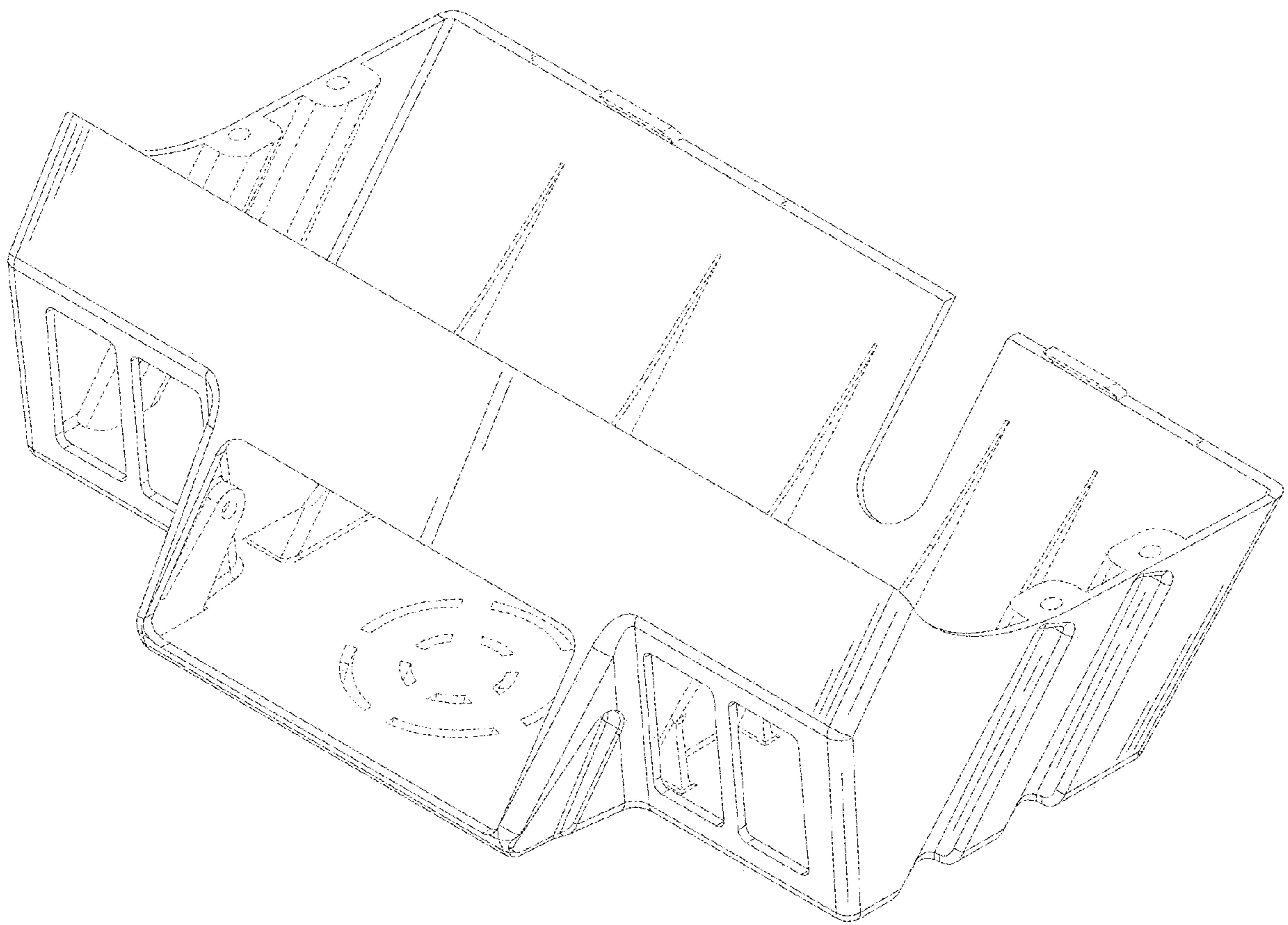


FIG. 2

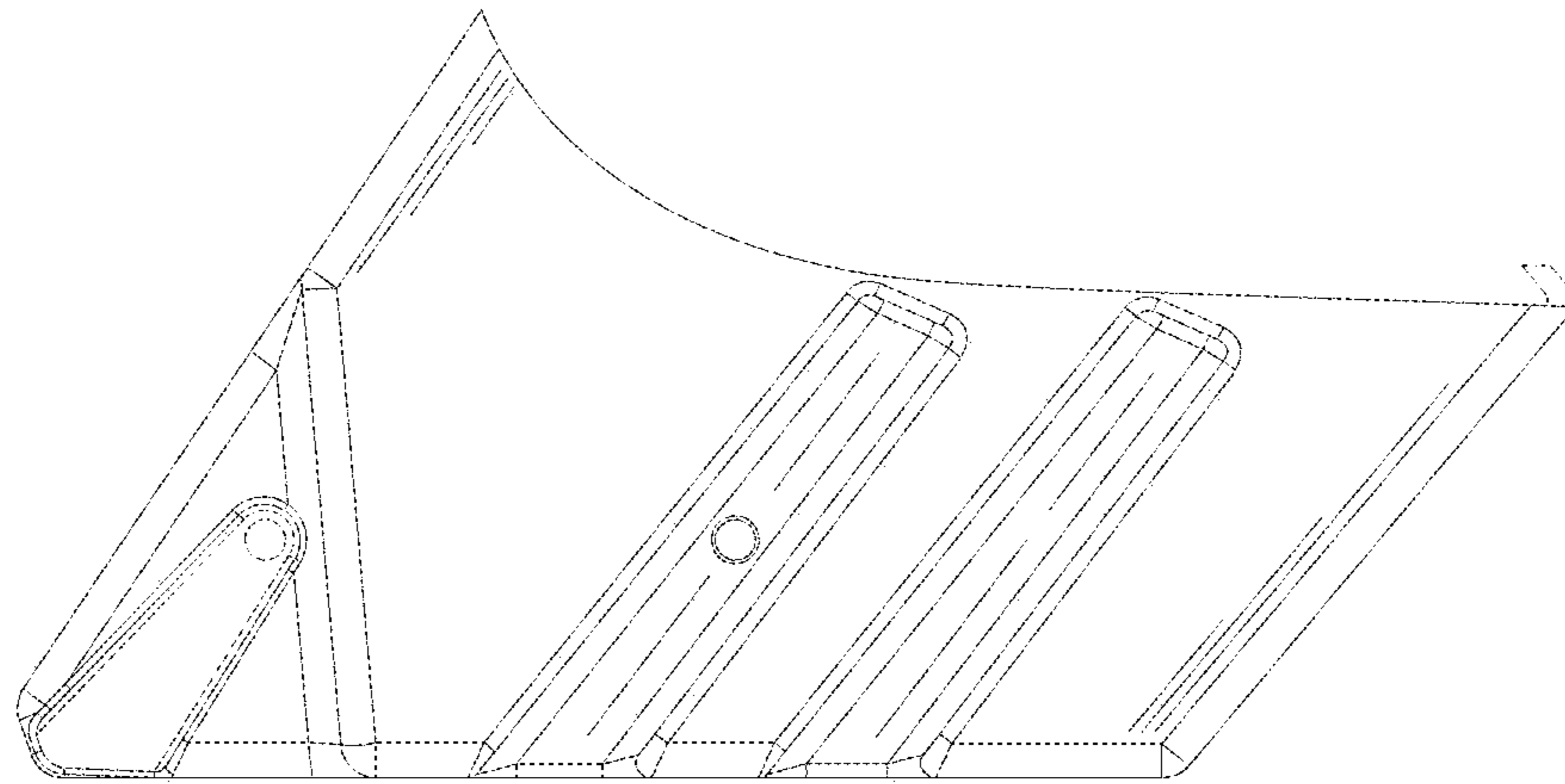


FIG. 3

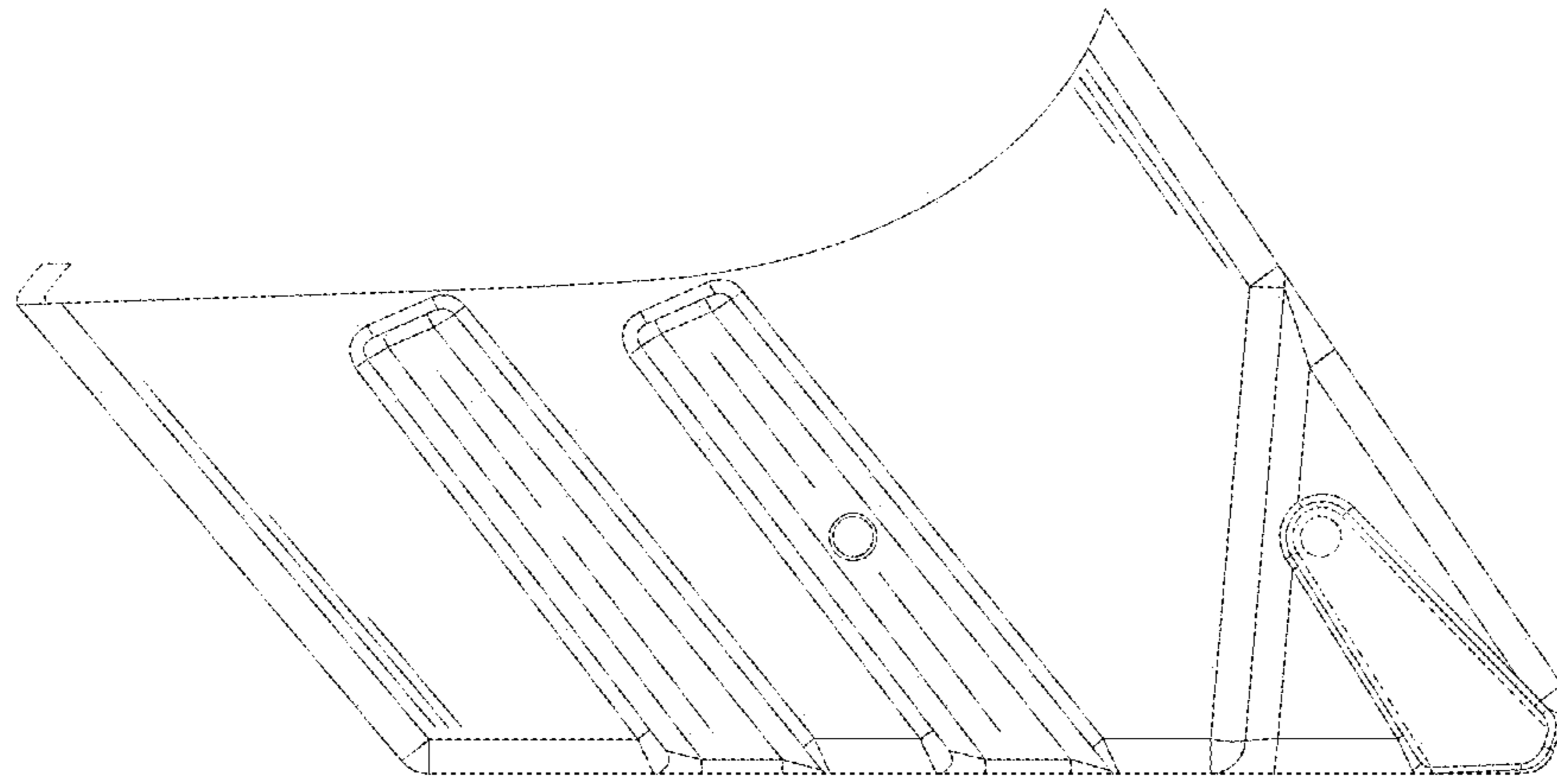


FIG. 4

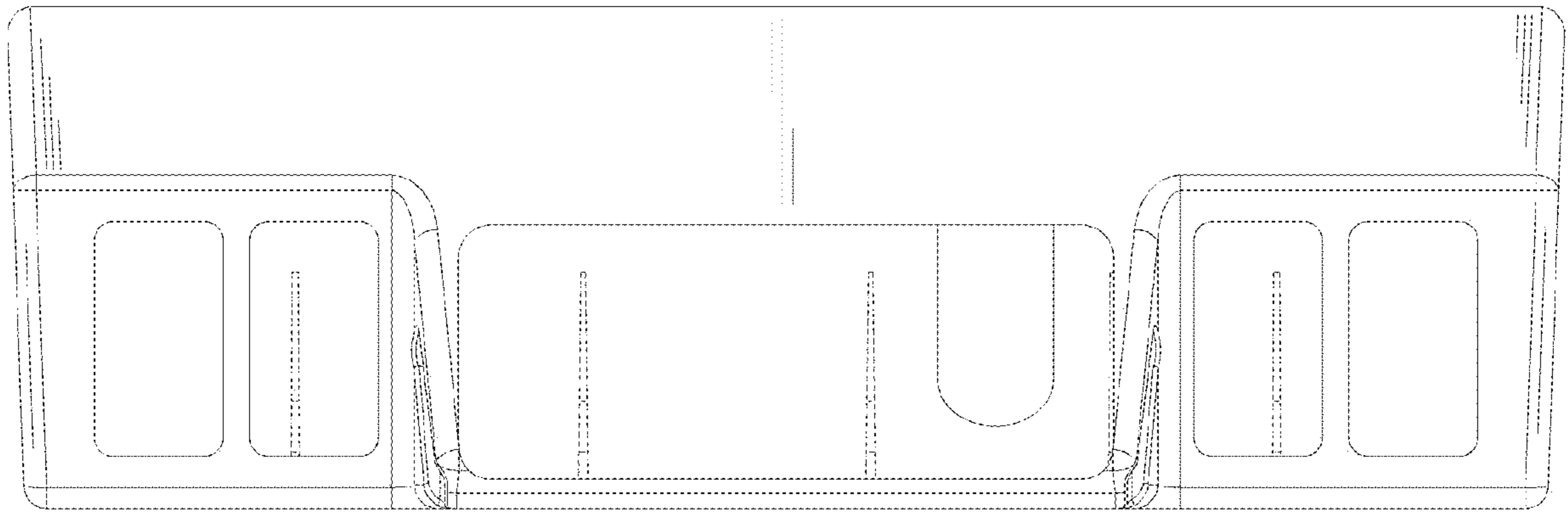


FIG. 5

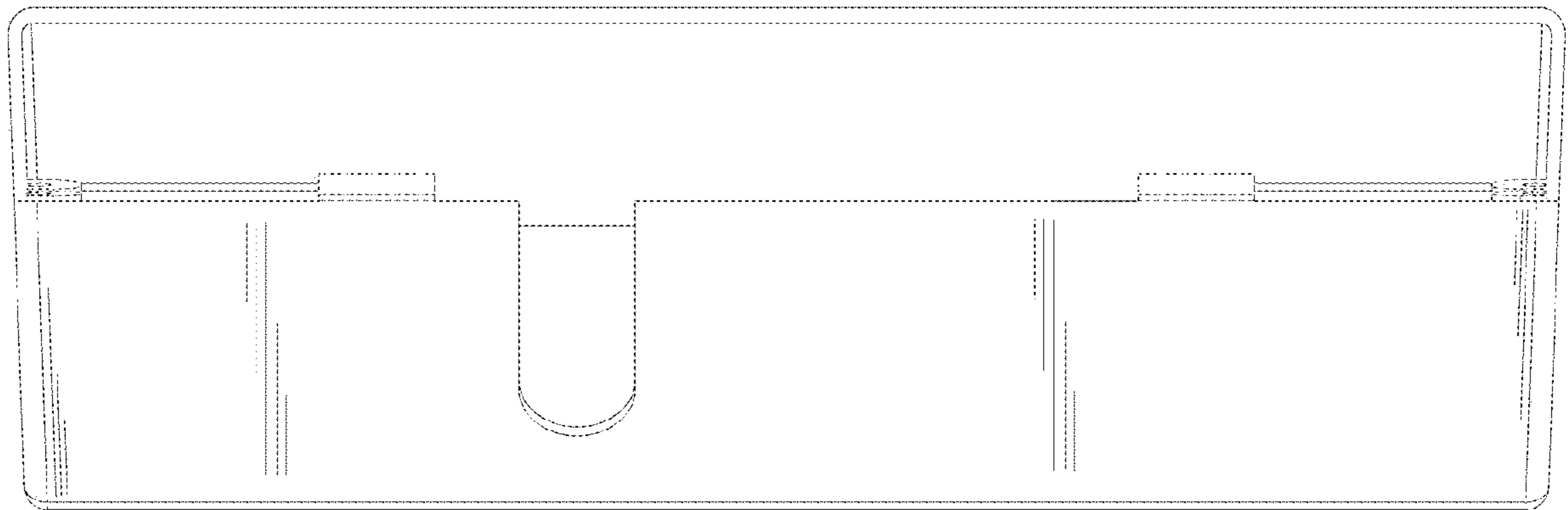


FIG. 6

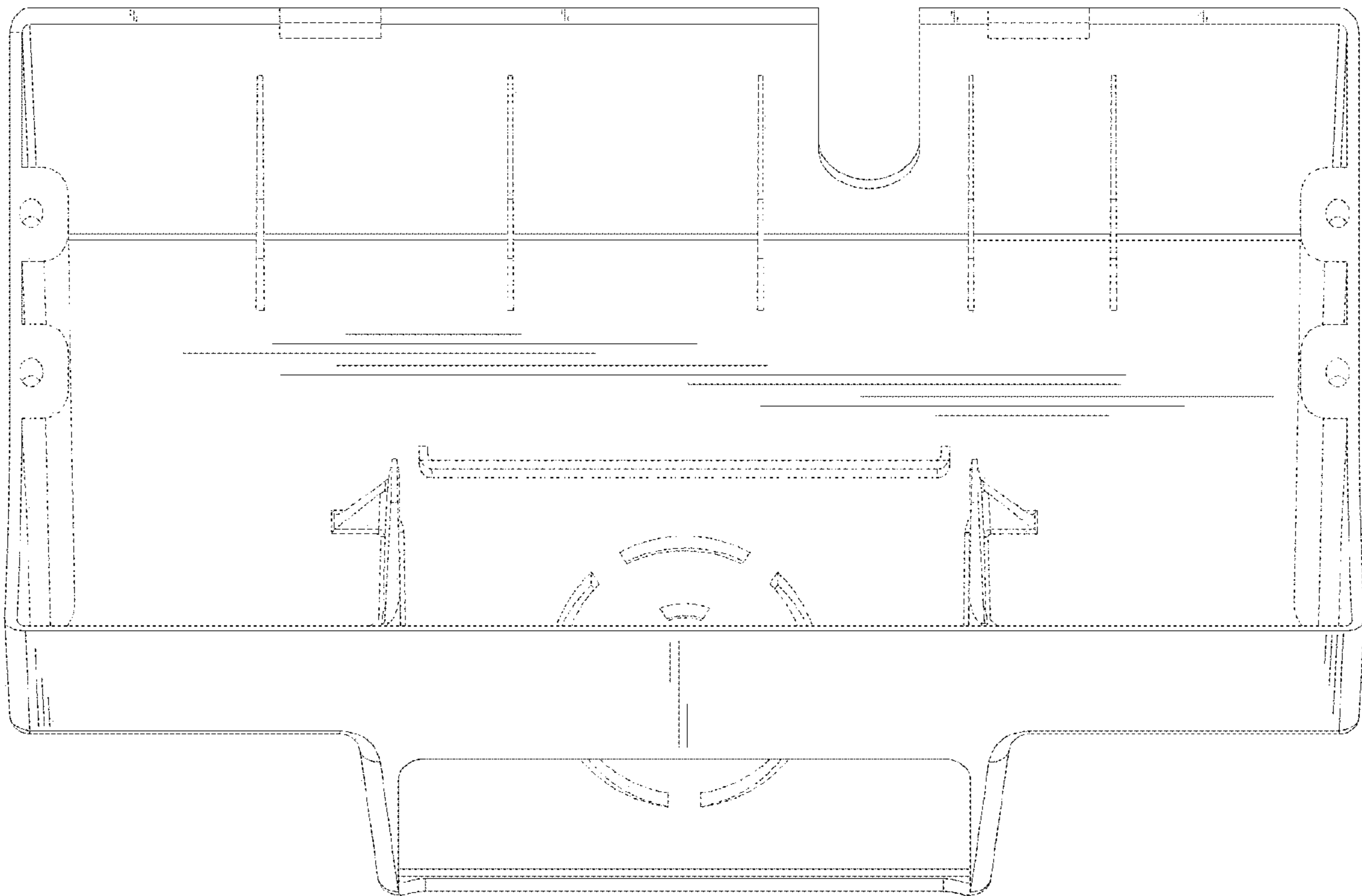


FIG. 7

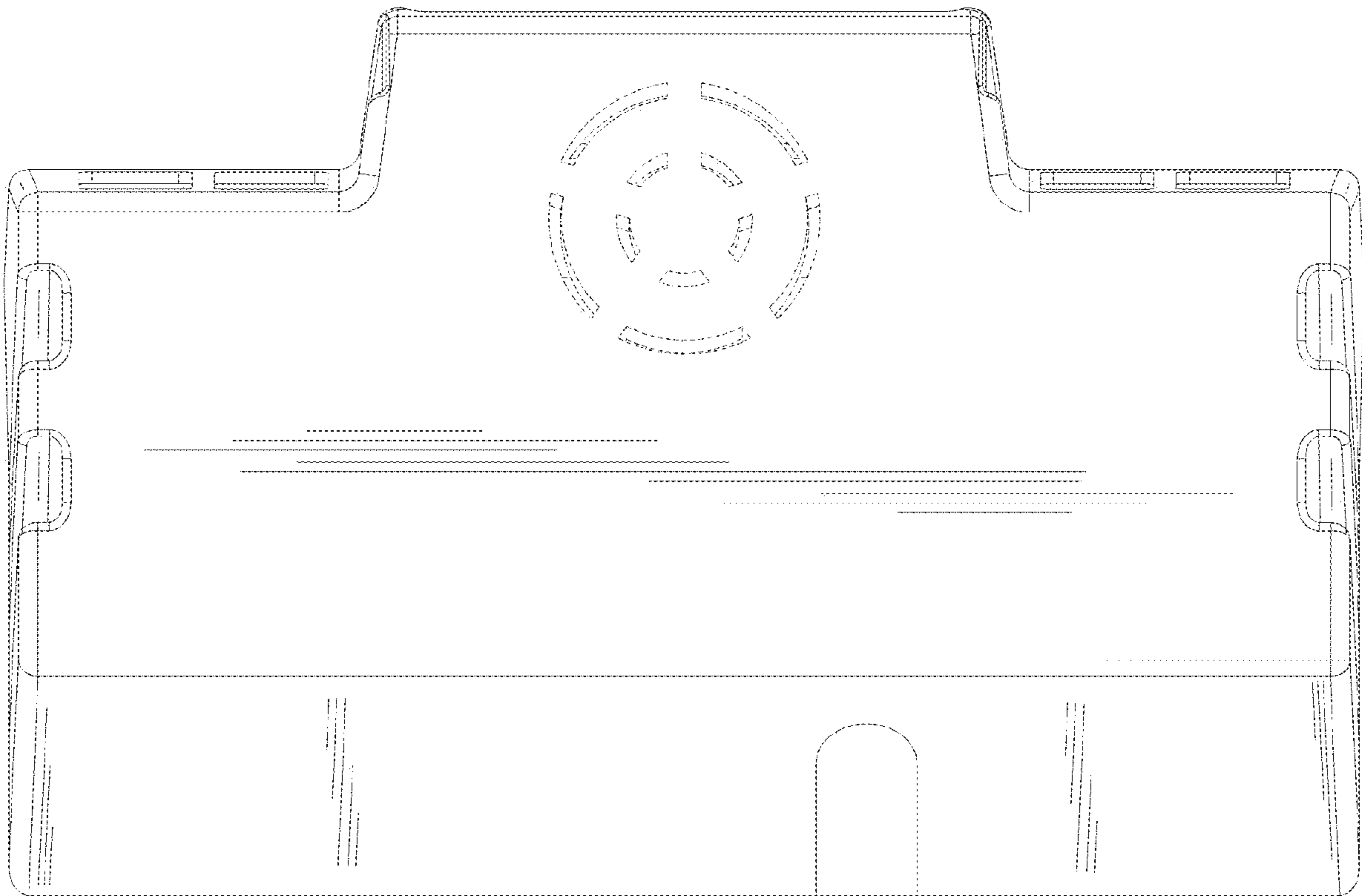


FIG. 8