



US00D886816S

(12) **United States Design Patent** (10) **Patent No.:** **US D886,816 S**  
**Suzuki** (45) **Date of Patent:** **\*\* Jun. 9, 2020**

(54) **HOLDER FOR PORTABLE WIRELESS COMMUNICATION DEVICE**

2/12; H01F 7/0252; G03B 17/561; G08B 3/1058

See application file for complete search history.

(71) Applicant: **JVC KENWOOD Corporation**,  
Yokohama-shi Kanagawa (JP)

(56) **References Cited**

(72) Inventor: **Yasuhiro Suzuki**, Yokohama (JP)

U.S. PATENT DOCUMENTS

(73) Assignee: **JVC KENWOOD CORPORATION**,  
Kanagawa (JP)

D339,690	S	*	9/1993	Takahashi	.....	D3/218
D346,275	S	*	4/1994	Hayasaka	.....	D3/218
D406,191	S	*	3/1999	Phillips	.....	D3/218
5,988,577	A	*	11/1999	Phillips	.....	A45F 5/02 224/197
D419,290	S	*	1/2000	Treyer	.....	D14/253
D425,353	S	*	5/2000	Foy	.....	D24/134
D434,898	S	*	12/2000	Jokinen	.....	D3/218
6,176,401	B1	*	1/2001	Lim	.....	G08B 3/1058 224/196
D454,340	S	*	3/2002	Grimm	.....	D14/240

(\*\*) Term: **15 Years**

(21) Appl. No.: **29/645,192**

(22) Filed: **Apr. 24, 2018**

(Continued)

(30) **Foreign Application Priority Data**

OTHER PUBLICATIONS

Oct. 24, 2017 (JP) ..... D2017-023525

Kenwood KBH-22W Belt Clip Holster, online, no post date, URL: <https://www.farrellequipment.com/products/kenwood-kbh-22w-belt-clip-holster-same-as-supplied-with-nxp500.html>, retrieved Sep. 25, 2019.\*

(51) **LOC (12) Cl.** ..... **14-99**

(52) **U.S. Cl.**  
USPC ..... **D14/253**; D3/218

*Primary Examiner* — Jeffrey D Asch  
*Assistant Examiner* — Rebekah A Caruso  
(74) *Attorney, Agent, or Firm* — Cantor Colburn LLP

(58) **Field of Classification Search**  
USPC ..... D14/250–254, 217, 224, 224.1, 238.1,  
D14/299, 434, 447, 451–452, 483;  
D12/400, 415–426, 426.1, 114, 223;  
D16/242, 245; D10/74; D3/218;  
D13/107, 108; D8/363, 373, 380, 382,  
D8/387

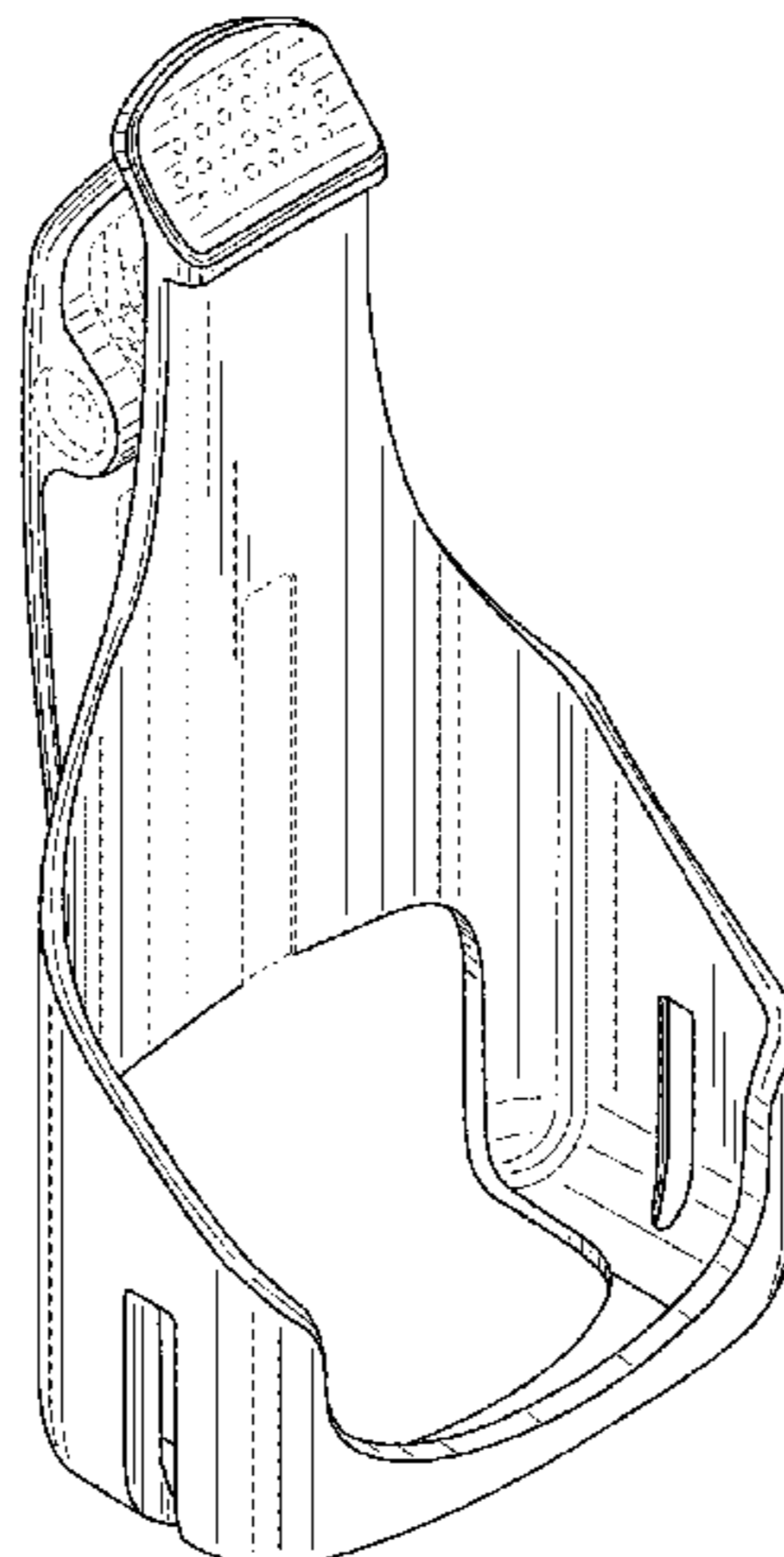
(57) **CLAIM**  
The ornamental design for an holder for portable wireless communication device, as shown and described.

CPC ..... B60R 11/00; B60R 11/02; B60R 11/0241;  
B60R 11/0252; B60R 2011/0003; B60R  
2011/0005; B60R 2011/0008; H04M  
1/04; H04B 1/3877; A45F 2200/0516;  
A45F 2200/0525; H05K 5/0204; F16M  
13/02; F16M 13/022; F16M 11/04; F16M  
11/041; F16M 11/14; F16M 11/22; F16B

**DESCRIPTION**

FIG. 1 is a perspective view of the holder for portable wireless communication device  
FIG. 2 is a front view of FIG. 1;  
FIG. 3 is a back view of FIG. 1;  
FIG. 4 is a top view of FIG. 1;  
FIG. 5 is a bottom view of FIG. 1;  
FIG. 6 is a right side view of FIG. 1; and,  
FIG. 7 is a left side view of FIG. 1.

(Continued)



The broken lines in the drawings are for the purpose of illustrating portions of the holder for portable wireless communication device that form no part of the claimed design.

**1 Claim, 7 Drawing Sheets**

(56)

**References Cited**

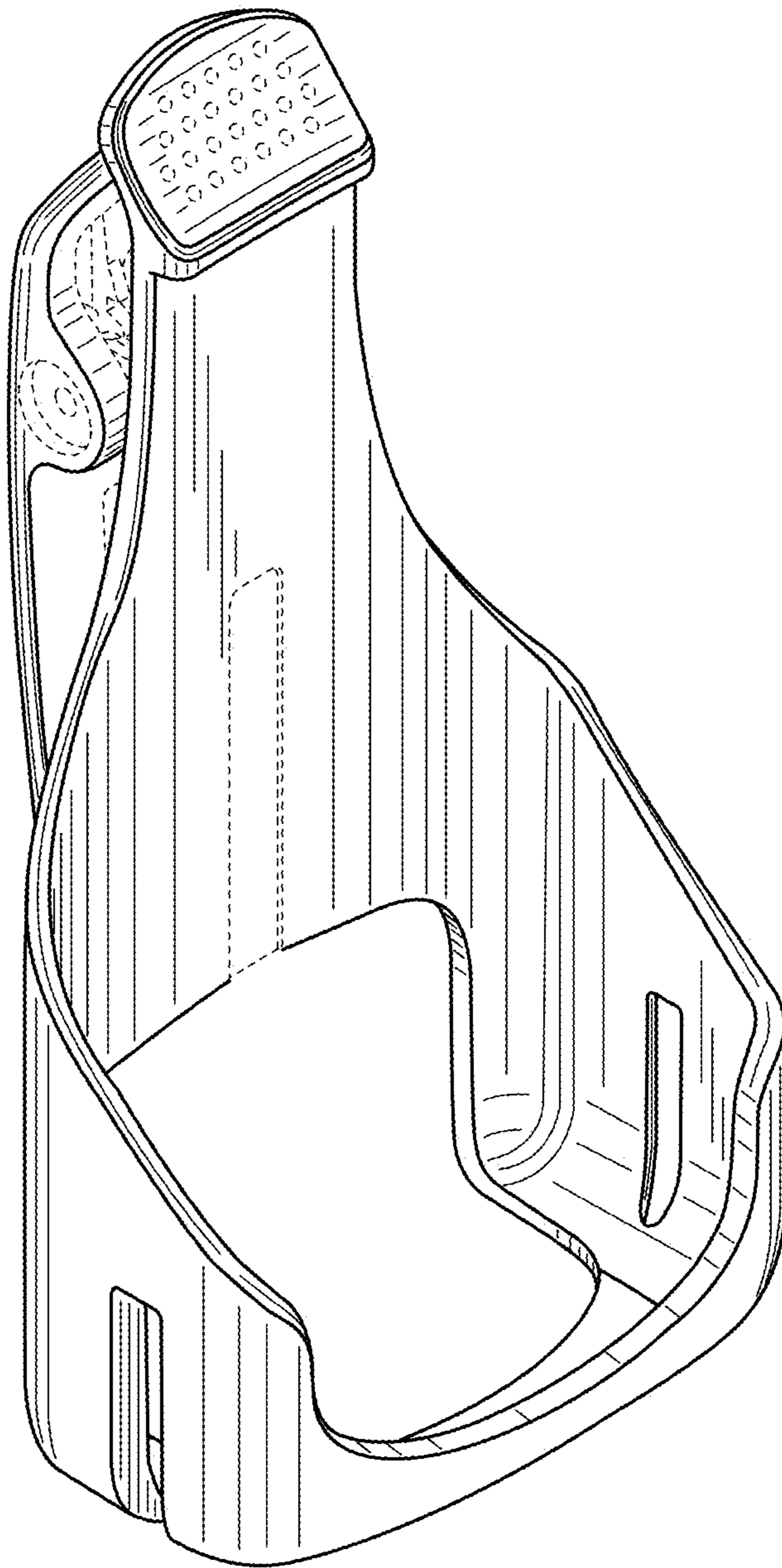
U.S. PATENT DOCUMENTS

D457,309 S \* 5/2002 Tanaka ..... D3/218  
D495,871 S \* 9/2004 Moffitt ..... D3/215  
D496,529 S \* 9/2004 Gotou ..... D3/218  
D497,713 S \* 11/2004 Lodato ..... D3/218  
D497,714 S \* 11/2004 To ..... D3/218  
D499,544 S \* 12/2004 Lodato ..... D3/218  
D501,307 S \* 2/2005 Sterns ..... D3/203.2

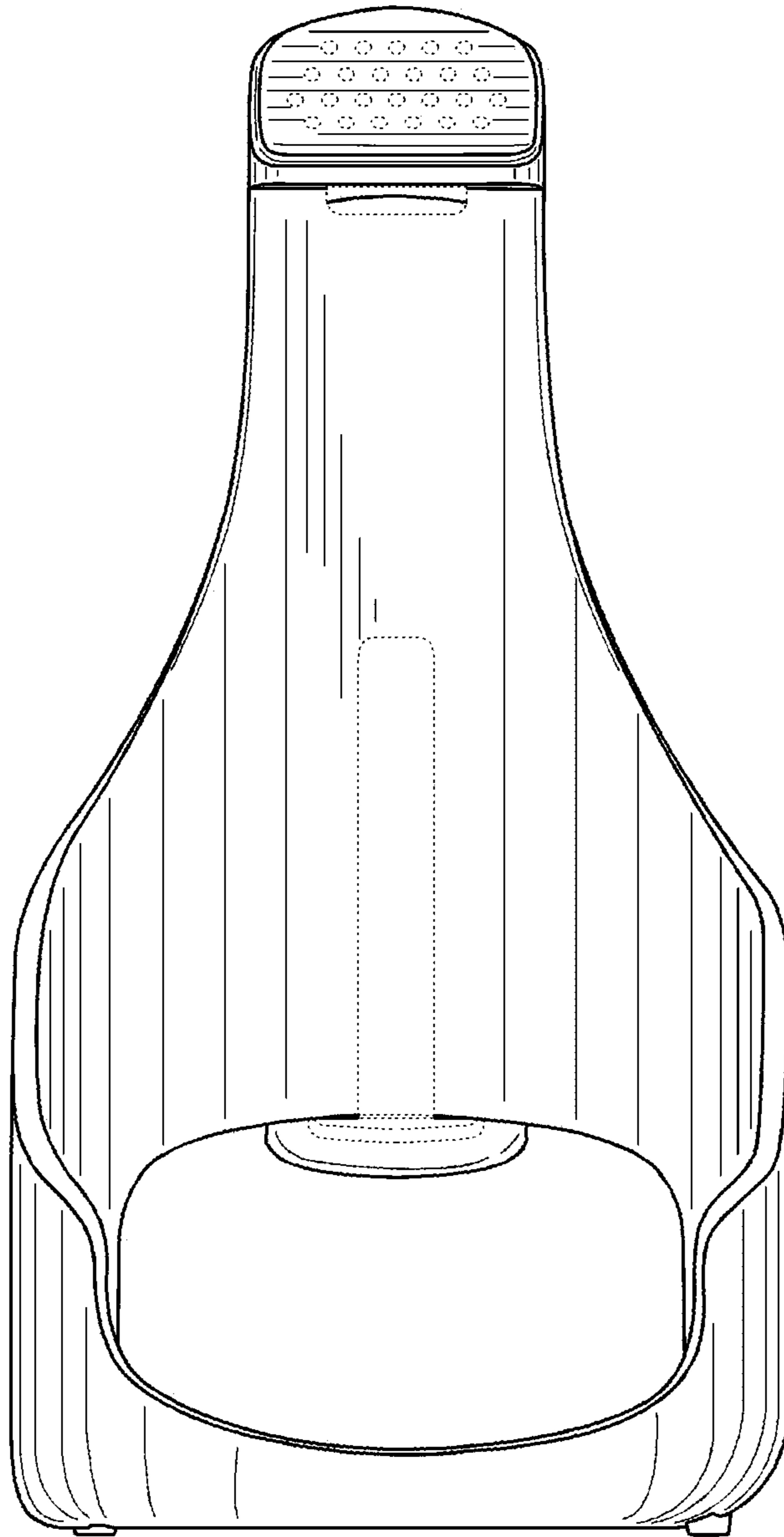
D508,605 S \* 8/2005 Hwang ..... D3/218  
D528,539 S \* 9/2006 McClaude ..... D14/253  
D533,175 S \* 12/2006 Richter ..... D14/253  
D621,823 S \* 8/2010 Dai ..... D14/253  
D627,340 S \* 11/2010 Lan ..... D14/253  
D627,771 S \* 11/2010 Smith ..... D14/253  
D643,030 S \* 8/2011 Cheng ..... D14/253  
D656,309 S \* 3/2012 Renelt ..... D3/218  
D688,656 S \* 8/2013 Avrahami ..... D14/253  
D710,363 S \* 8/2014 Wengreen ..... D14/432  
D759,647 S \* 6/2016 Gallup ..... D14/253  
D767,377 S \* 9/2016 Sekula ..... D8/373  
D808,641 S \* 1/2018 Clover ..... D3/218  
2006/0237494 A1\* 10/2006 Fichera ..... A45F 5/02  
224/197  
2009/0218454 A1\* 9/2009 Stanley ..... F16M 13/00  
248/121  
2015/0212544 A1\* 7/2015 Chen ..... G06F 1/1632  
361/679.41

\* cited by examiner

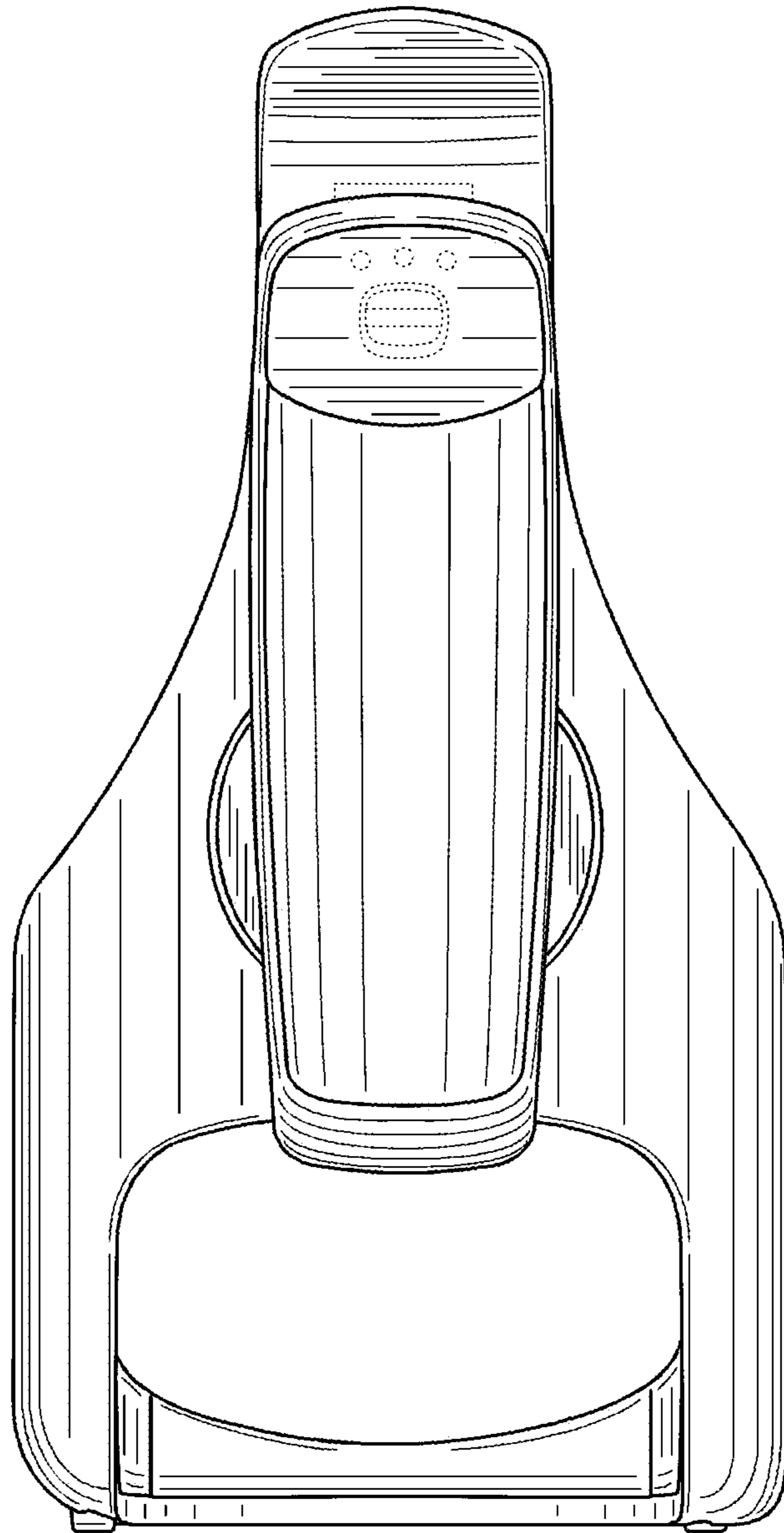
**FIG. 1**



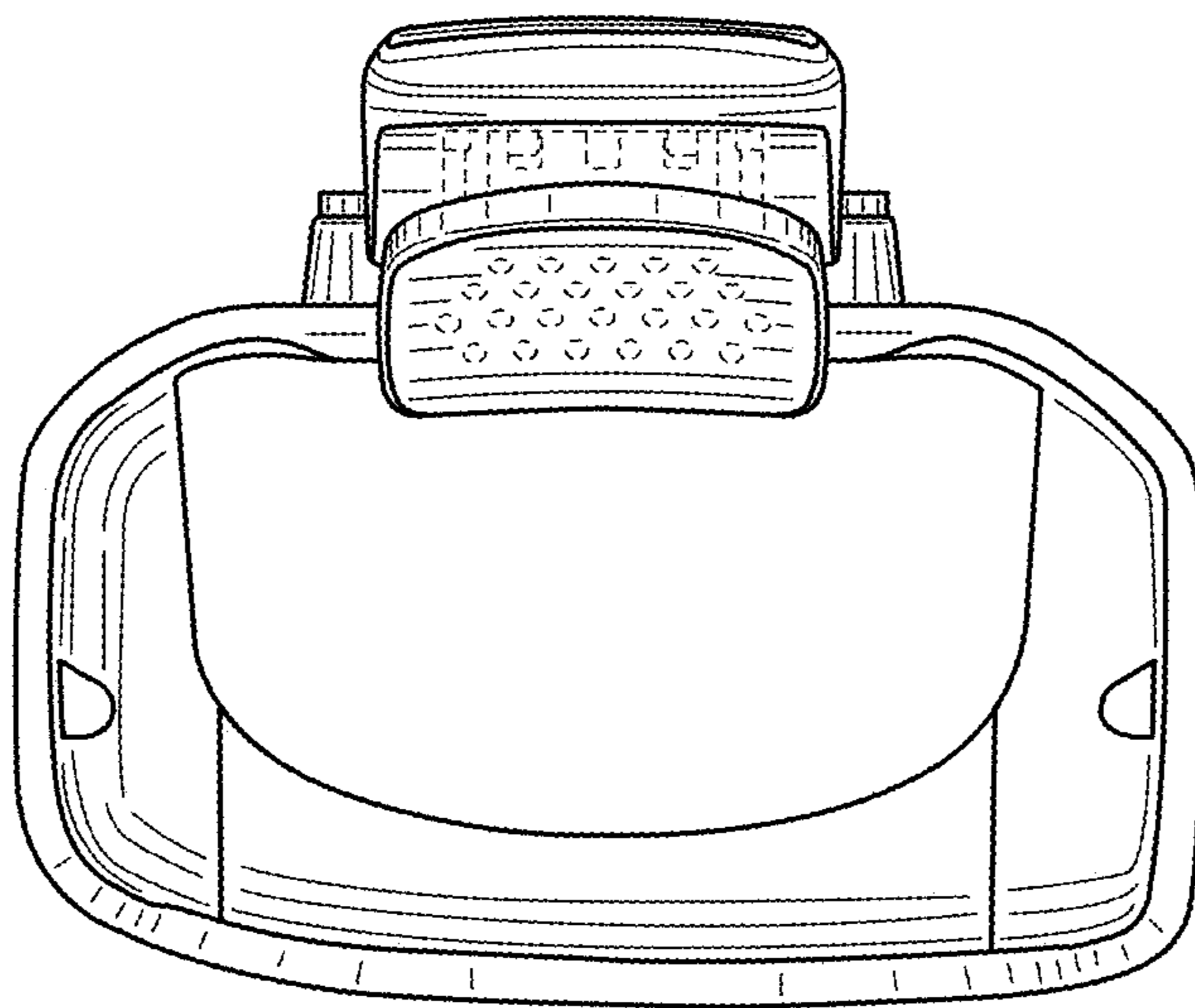
***FIG. 2***



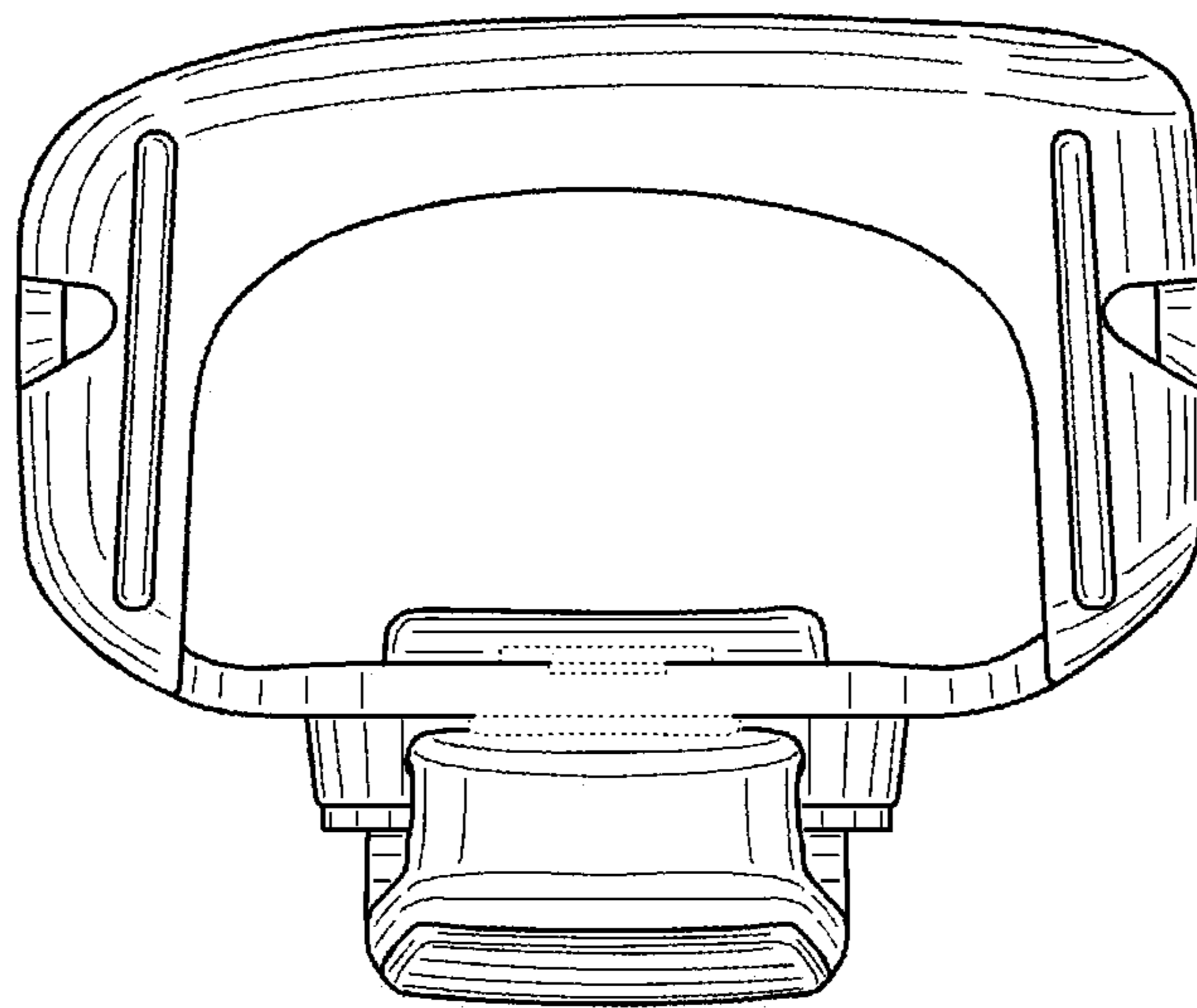
**FIG. 3**



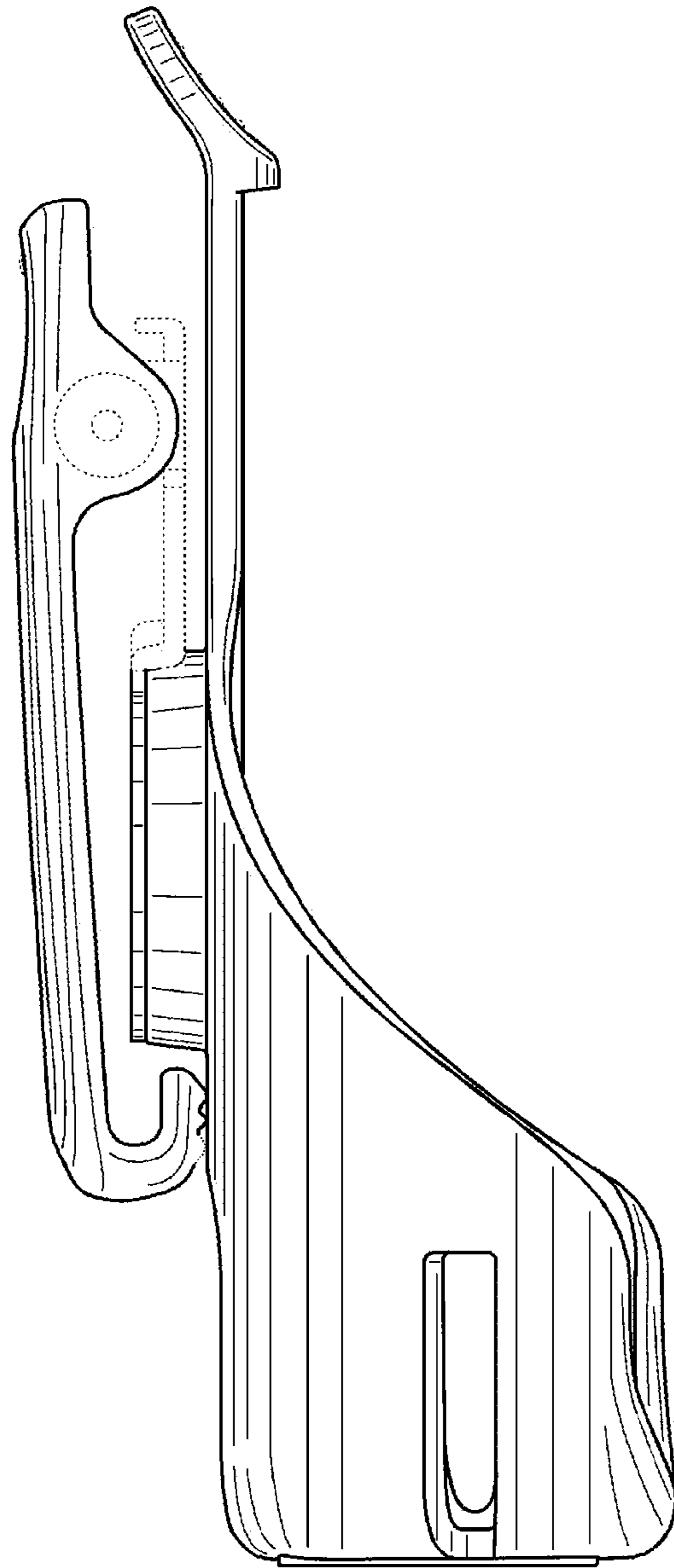
**FIG. 4**



***FIG. 5***



**FIG. 6**





**FIG. 7**

