



US00D886814S

(12) **United States Design Patent** (10) **Patent No.:** **US D886,814 S**
Cha et al. (45) **Date of Patent:** **** Jun. 9, 2020**

(54) **TELEVISION RECEIVER**

(71) Applicant: **LG ELECTRONICS INC.**, Seoul (KR)
(72) Inventors: **Hyunbyung Cha**, Seoul (KR); **Byungsoo Kim**, Seoul (KR); **Yooseok Kim**, Seoul (KR); **Taeho Kim**, Seoul (KR); **Jeongrok Lee**, Seoul (KR); **Deung Hwangbo**, Seoul (KR)

(73) Assignee: **LG Electronics Inc.**, Seoul (KR)

(**) Term: **15 Years**

(21) Appl. No.: **35/504,851**

(22) Filed: **Nov. 3, 2017**

(80) **Hague Agreement Data**

Int. Filing Date: **Nov. 3, 2017**
Int. Reg. No.: **DM/098484**
Int. Reg. Date: **Nov. 3, 2017**
Int. Reg. Pub. Date: **May 4, 2018**

(30) **Foreign Application Priority Data**

May 4, 2017 (KR) 30-2017-0020617

(51) **LOC (12) Cl.** **14-03**

(52) **U.S. Cl.**
USPC **D14/248**

(58) **Field of Classification Search**
USPC D14/125-134, 136, 159, 239, 248, 336, D14/341, 342, 371, 374-377, 440, 448, D14/450; D6/300, 477, 479; D10/15, D10/26; D20/10, 19, 39; D21/329, 331, D21/333, 433, 448, 450, 452, 505, 515, D21/577, 622
CPC ... G06F 1/1601; G06F 1/1643; H05K 5/0004; H05K 5/0017; H05K 5/02; H05K 5/0217; H04N 13/0459

See application file for complete search history.

(56) **References Cited**

U.S. PATENT DOCUMENTS

D139,931 S * 1/1945 Dreyfuss D10/90
D370,058 S * 5/1996 Bostrom D23/315
D493,640 S * 8/2004 Nemecek D6/703
D539,764 S * 4/2007 Honda D14/126
D572,743 S * 7/2008 Madonna D14/126

(Continued)

OTHER PUBLICATIONS

“Sea Wave Flower Granite Slab,Half Slab,Raw Stone S, Sear Wave Flower Granite Slabs.” Stone Contact., Nov. 13, 2013 [online], [retrieved on Feb. 11, 2019]. Retrieved from the Internet <URL: <https://www.stonecontact.com/products-210534/sea-wave-flower-granite-slab-half-slab-raw-stone-s->>.*

Primary Examiner — Darlington Ly

(74) *Attorney, Agent, or Firm* — Birch, Stewart, Kolasch & Birch, LLP

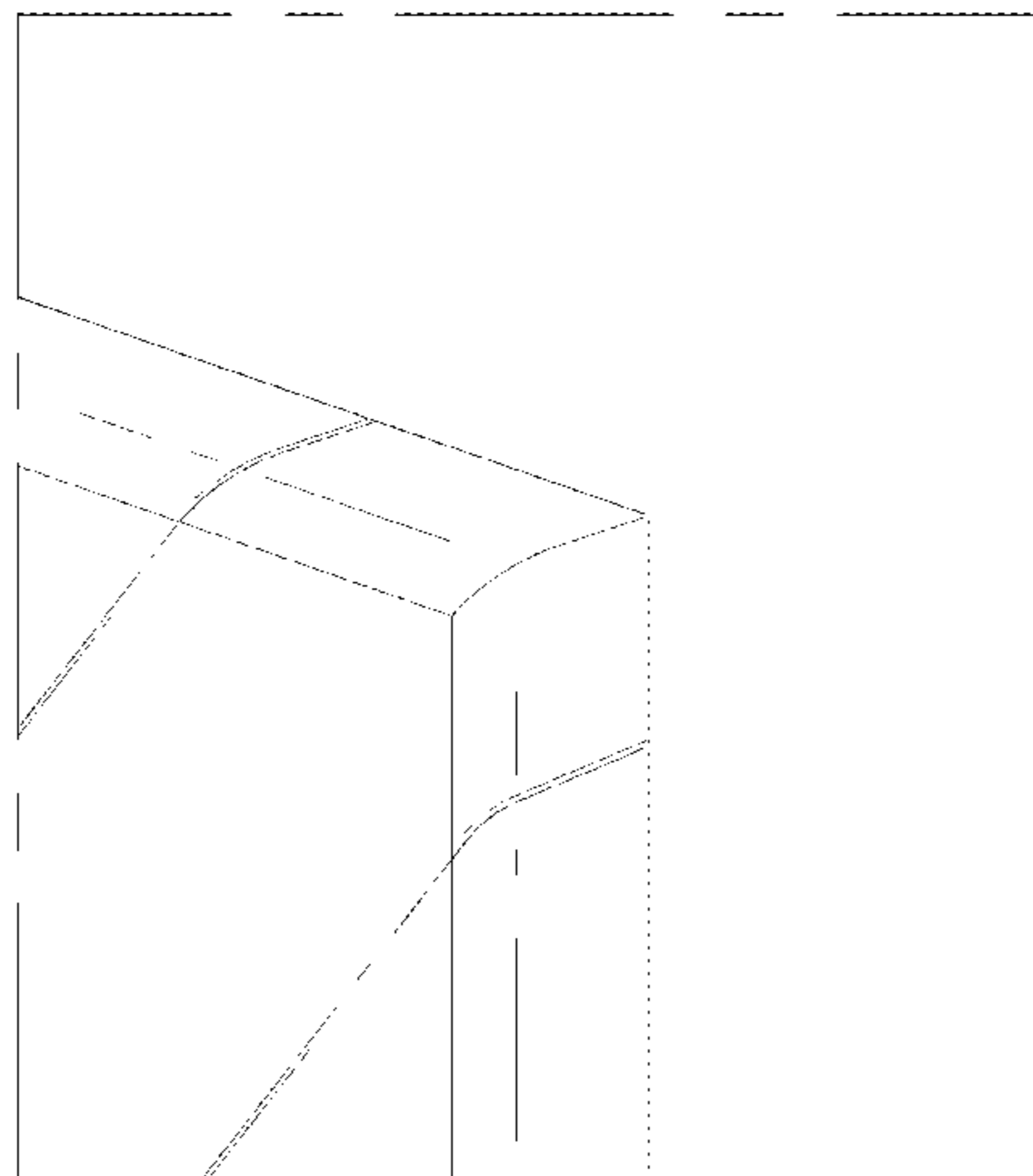
(57) **CLAIM**

The ornamental design for a television receiver, as shown and described.

DESCRIPTION

1. Television receiver
1.1 is a perspective view of a television receiver showing our new design;
1.2 is a front elevation view thereof;
1.3 is a rear elevation view thereof;
1.4 is a left side elevation view thereof;
1.5 is a top plan view thereof;
1.6 is an enlarged perspective view thereof showing the top-right corner portion;
1.7 is an enlarged perspective view thereof showing the bottom-right corner portion; and
1.8 is an enlarged plan view thereof showing the top-right corner portion.

(Continued)



The dash-dot broken lines in reproductions 1.6-1.8 are provided for the purpose of indicating the boundaries of the enlargement views and do not represent actual structure or environment.

1 Claim, 8 Drawing Sheets

(56)

References Cited

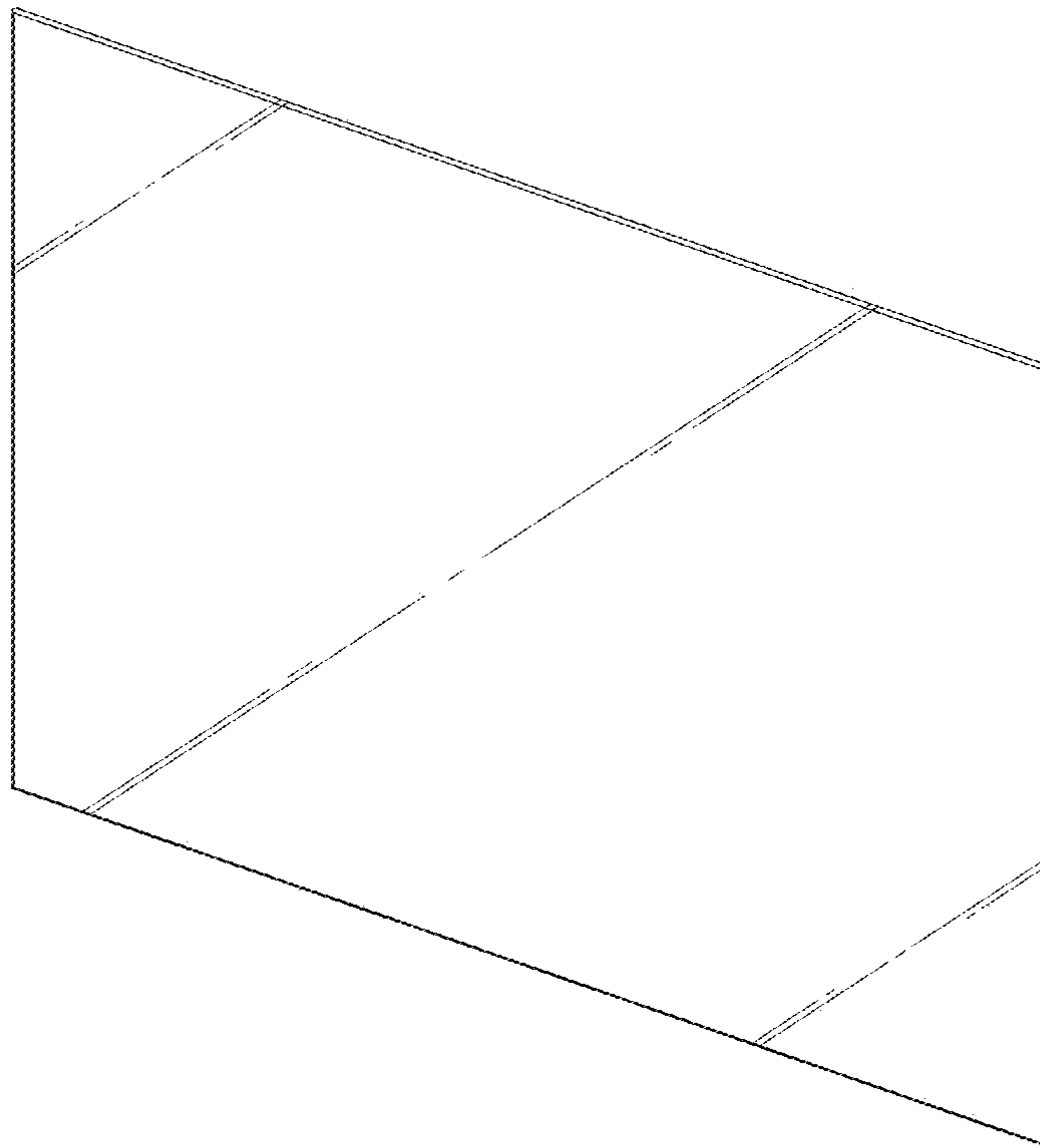
U.S. PATENT DOCUMENTS

7,556,384 B2 * 7/2009 Chan A45D 42/18
 353/122
 D605,614 S * 12/2009 Lee D14/126
 D630,199 S * 1/2011 Suzuki D14/248
 D646,658 S * 10/2011 Chino D14/126
 D651,214 S * 12/2011 Yoo D14/448
 D655,287 S * 3/2012 de Jong D14/341
 D655,288 S * 3/2012 de Jong D14/341
 D663,297 S * 7/2012 de Jong D14/341
 D665,809 S * 8/2012 Wang D14/248
 D666,591 S * 9/2012 Li D14/248
 D666,602 S * 9/2012 Li D14/248
 D666,608 S * 9/2012 Li D14/248
 D666,612 S * 9/2012 Li D14/248
 D667,412 S * 9/2012 Wang D14/248
 D670,685 S * 11/2012 Li D14/248
 D671,926 S * 12/2012 Li D14/248
 D671,927 S * 12/2012 Li D14/248
 D671,928 S * 12/2012 Li D14/248
 D671,929 S * 12/2012 Li D14/248
 D672,338 S * 12/2012 Li D14/248
 D672,339 S * 12/2012 Li D14/248
 D697,911 S * 1/2014 McManigal D14/341
 D698,353 S * 1/2014 Choi D14/138 G
 D701,191 S * 3/2014 Suk D14/138 G
 D701,192 S * 3/2014 Park D14/138 G
 D706,738 S * 6/2014 Kim D14/138 G
 D715,290 S * 10/2014 Bryan D14/341
 D716,304 S * 10/2014 Orthey D14/385
 D726,140 S * 4/2015 Park D14/138 R
 D726,673 S * 4/2015 Lee D14/138 G
 D729,757 S * 5/2015 Lee D14/138 G
 D730,856 S * 6/2015 Park D14/126
 D738,839 S * 9/2015 Choi D14/138 G
 D739,367 S * 9/2015 Choi D14/138 C
 D740,263 S * 10/2015 Choi D14/248
 D740,806 S * 10/2015 Fujimoto D14/341
 D741,305 S * 10/2015 Lee D14/248

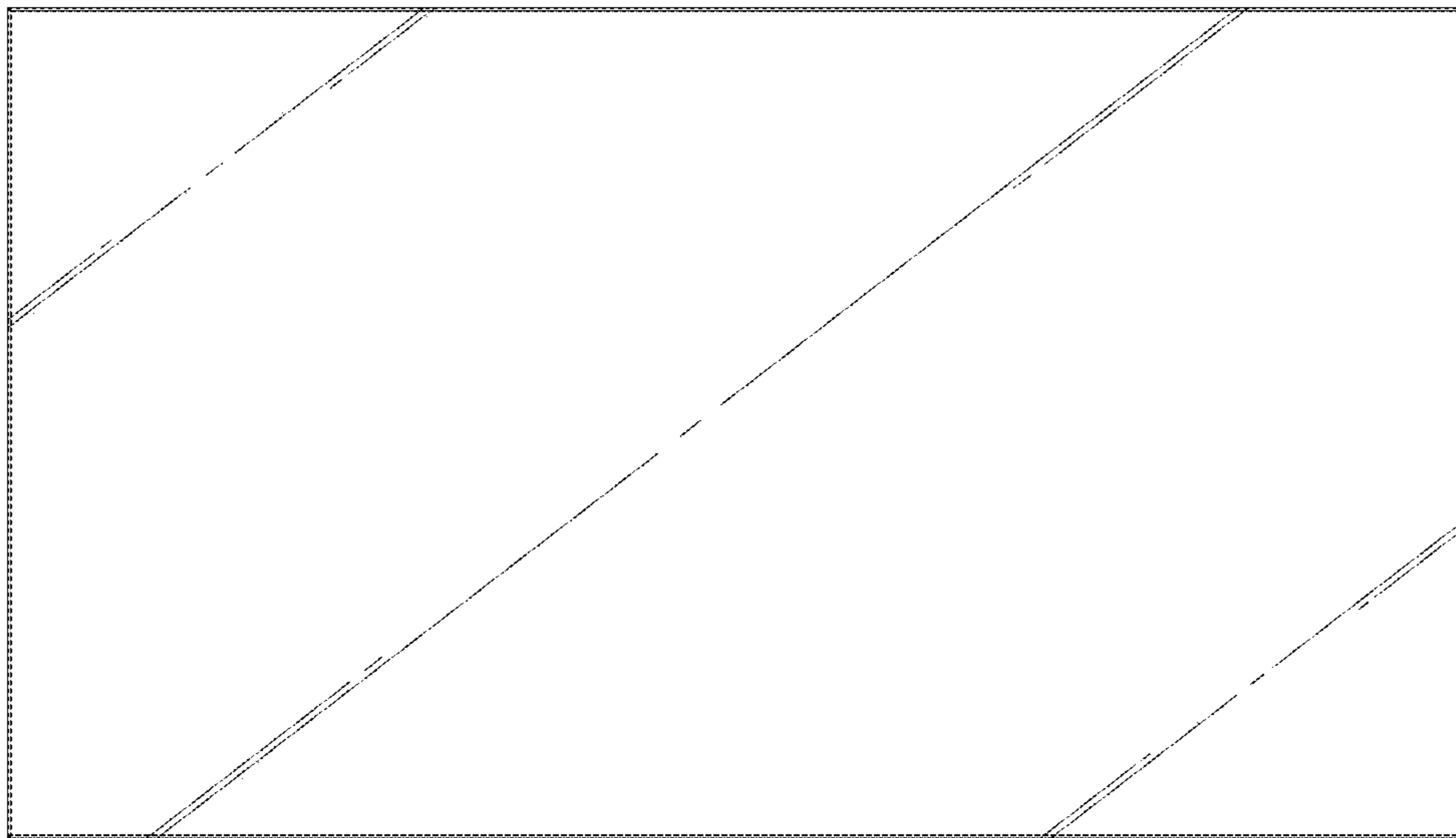
D741,308 S * 10/2015 Lee D14/248
 D742,867 S * 11/2015 Lee D14/248
 D744,468 S * 12/2015 Lee D14/248
 D744,973 S * 12/2015 Lee D14/138 G
 D744,990 S * 12/2015 Lee D14/138 G
 D744,991 S * 12/2015 Lee D14/248
 D744,992 S * 12/2015 Lee D14/248
 D745,004 S * 12/2015 Kim H04M 1/0268
 D14/341
 D747,301 S * 1/2016 Lee D14/138 G
 D748,082 S * 1/2016 Lee D14/248
 9,274,741 B2 * 3/2016 Moon G06F 3/0416
 D755,166 S * 5/2016 Lee D14/248
 D763,188 S * 8/2016 Park D13/108
 D768,594 S * 10/2016 Szeto D14/138 G
 D769,209 S * 10/2016 Byun D14/138 AB
 D771,034 S * 11/2016 Satzger D14/341
 D772,187 S * 11/2016 Woo D14/126
 D774,486 S * 12/2016 Defazio D14/138 G
 D774,487 S * 12/2016 Defazio D14/138 AD
 D775,597 S * 1/2017 Kim D14/138 G
 D775,599 S * 1/2017 Kim D14/138 G
 D777,713 S * 1/2017 Choo D14/248
 9,550,695 B2 * 1/2017 Immerman C03B 23/0357
 D778,365 S * 2/2017 Kott D20/43
 D778,890 S * 2/2017 Kim D14/248
 D783,557 S * 4/2017 Lee D14/138 G
 D788,103 S * 5/2017 Kim D14/341
 D788,752 S * 6/2017 Kim D14/138 G
 D792,384 S * 7/2017 Kim D14/248
 D797,726 S * 9/2017 Lee D14/341
 D801,292 S * 10/2017 Kim D14/138 G
 D803,818 S * 11/2017 Kim D14/248
 D803,821 S * 11/2017 Lee D14/248
 D808,952 S * 1/2018 Defazio D14/341
 D813,186 S * 3/2018 Lee D14/138 G
 D836,094 S * 12/2018 Park D14/248
 D836,627 S * 12/2018 Xia D14/341
 D838,270 S * 1/2019 Cho D14/341
 D839,857 S * 2/2019 Berneth D14/248
 2013/0002133 A1 * 1/2013 Jin H01L 51/524
 313/511
 2013/0300697 A1 * 11/2013 Kim G06F 1/1626
 345/173
 2013/0337224 A1 * 12/2013 Odani G06F 1/1626
 428/130
 2014/0118271 A1 * 5/2014 Lee G06F 3/0488
 345/173
 2015/0031417 A1 * 1/2015 Lee H04M 1/72519
 455/566
 2016/0313966 A1 * 10/2016 Jeong G06F 1/1626

* cited by examiner

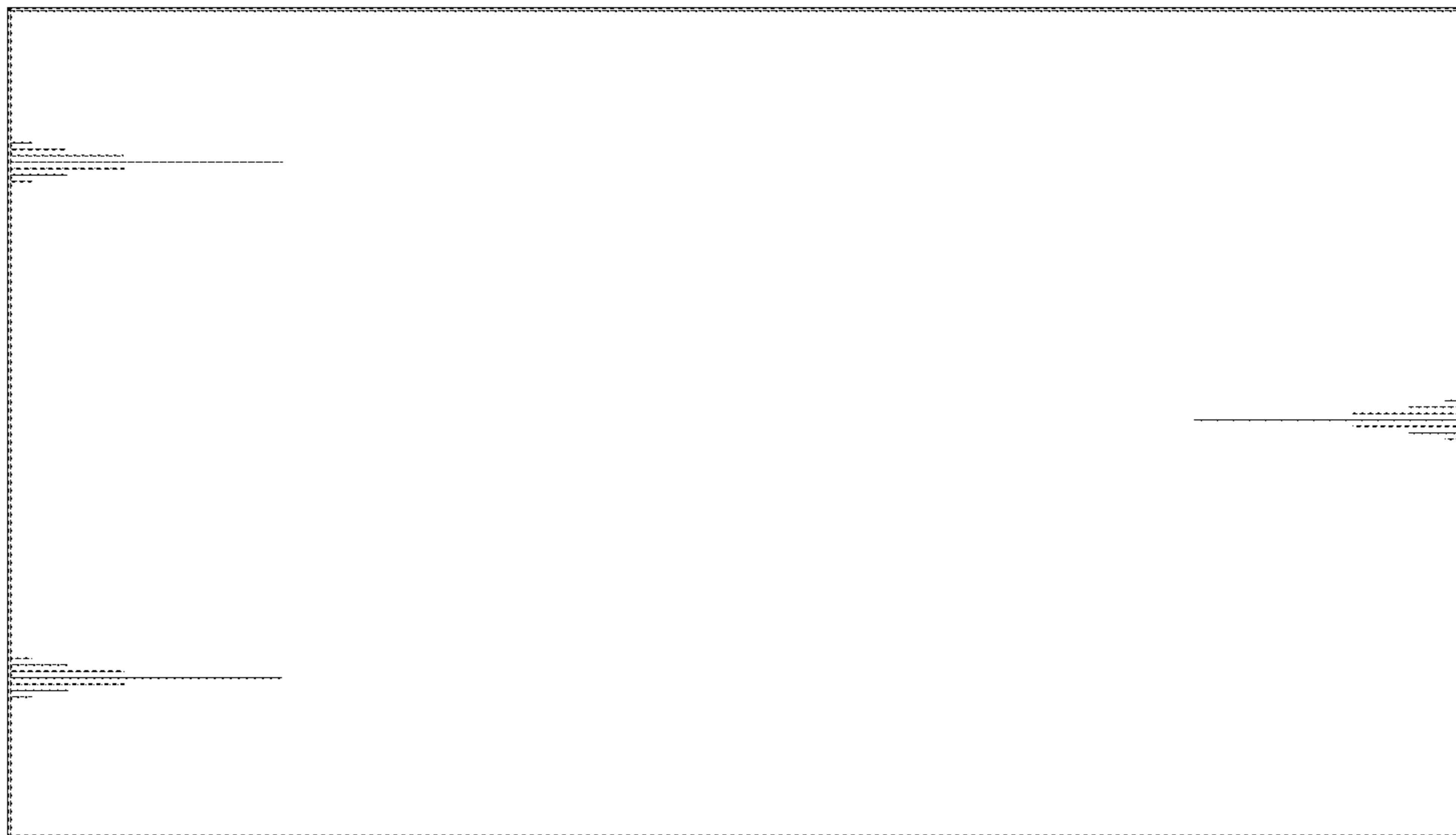
1.1



1.2



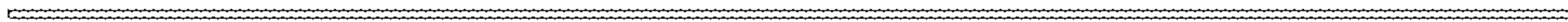
1.3



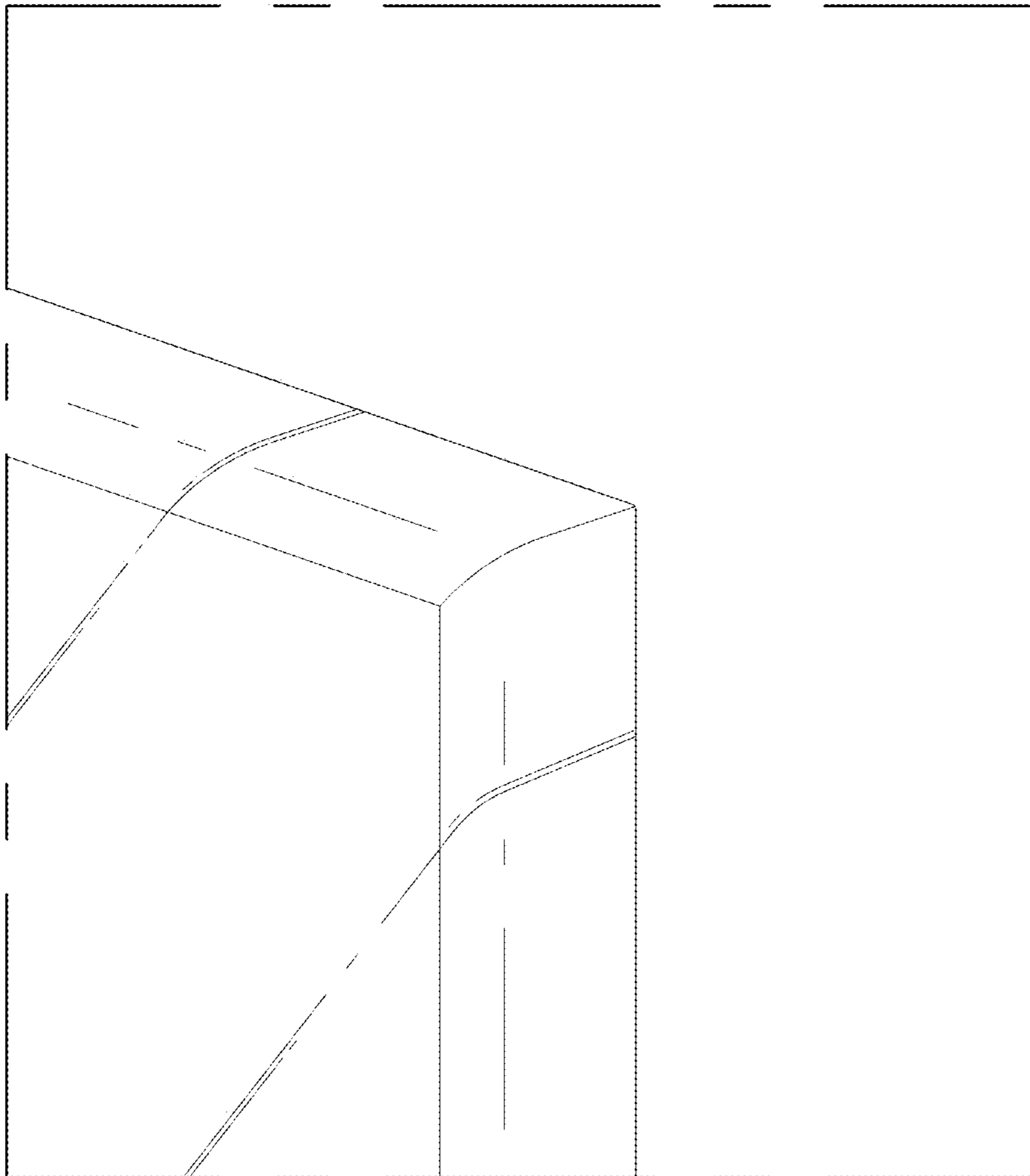
1.4



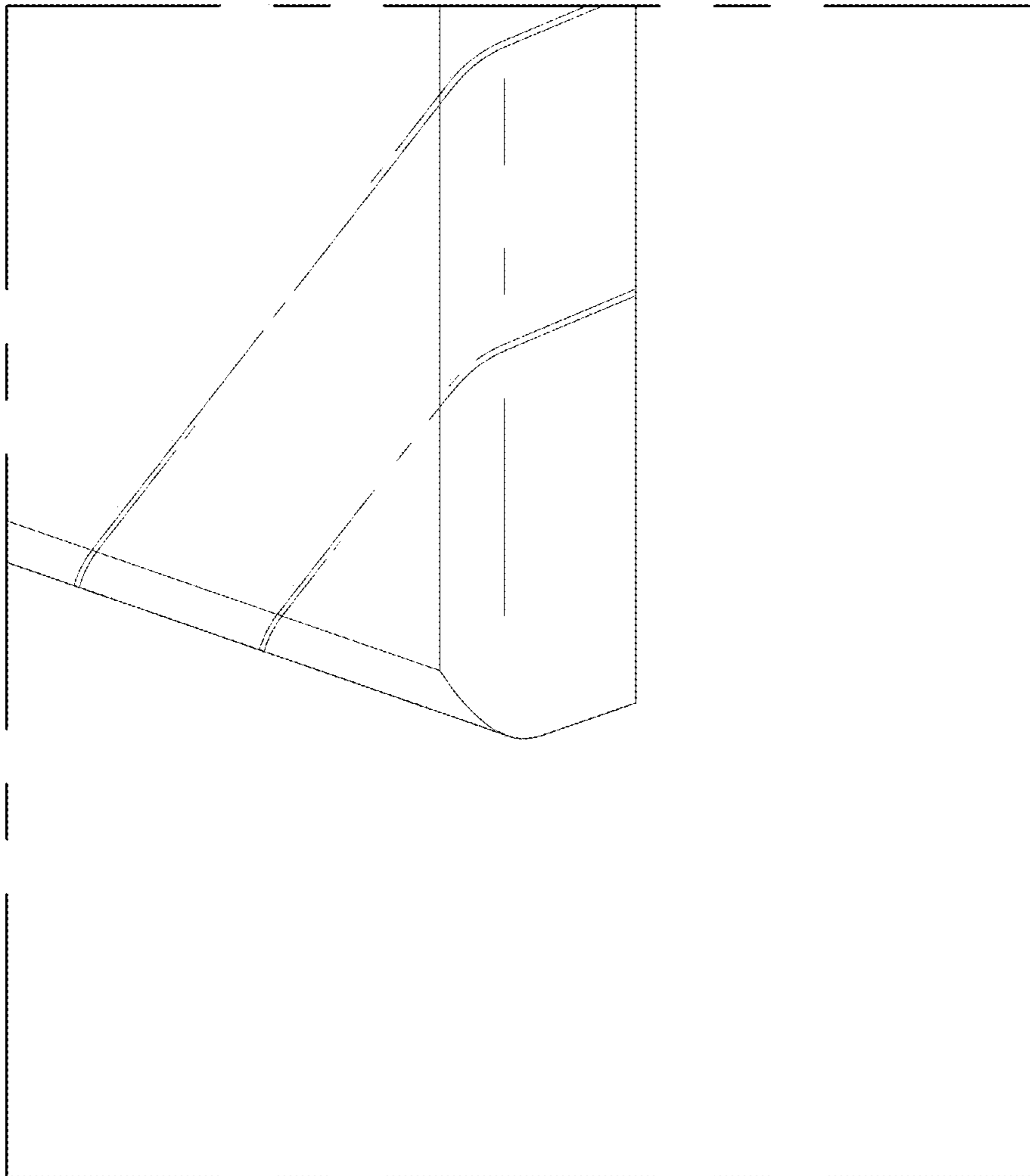
1.5



1.6



1.7



1.8

