



US00D886811S

(12) **United States Design Patent** (10) **Patent No.:** **US D886,811 S**
Mecchella et al. (45) **Date of Patent:** **** Jun. 9, 2020**

(54) **DEVICE COVER**

- (71) Applicant: **Amazon Technologies, Inc.**, Seattle, WA (US)
- (72) Inventors: **Monica Liane Mecchella**, San Francisco, CA (US); **Ravi Yatnalkar**, Mountain View, CA (US)
- (73) Assignee: **Amazon Technologies, Inc.**, Seattle, WA (US)
- (**) Term: **15 Years**
- (21) Appl. No.: **29/674,285**
- (22) Filed: **Dec. 20, 2018**

Related U.S. Application Data

- (60) Continuation of application No. 29/640,604, filed on Mar. 15, 2018, now Pat. No. Des. 841,630, which is a division of application No. 29/578,317, filed on Sep. 20, 2016, now Pat. No. Des. 813,273.
- (51) **LOC (12) Cl.** **14-03**
- (52) **U.S. Cl.**
USPC **D14/238.1; D14/511**
- (58) **Field of Classification Search**
USPC D14/432, 496, 498–511, 168–171, 188, D14/194–196, 203.1–203.8, 215–217, D14/238.1; D3/308–309; D7/543, 548, D7/554.2
CPC .. H04B 1/06; H04B 1/08; H04B 1/086; G06F 1/1628; G06F 1/1613; G06F 1/1626; E05B 9/00; E05B 9/04
See application file for complete search history.

(56) **References Cited**

U.S. PATENT DOCUMENTS

- 5,144,821 A 9/1992 Emesti et al.
 - D397,026 S 8/1998 Drake
- (Continued)

OTHER PUBLICATIONS

Canadian Office Action dated Oct. 17, 2017 for Canadian Design Application No. 173566, a counterpart foreign application of Design U.S. Appl. No. 29/578,317, 4 pages.
 (Continued)

Primary Examiner — Sandra L Morris
 (74) *Attorney, Agent, or Firm* — Lee & Hayes, P.C.

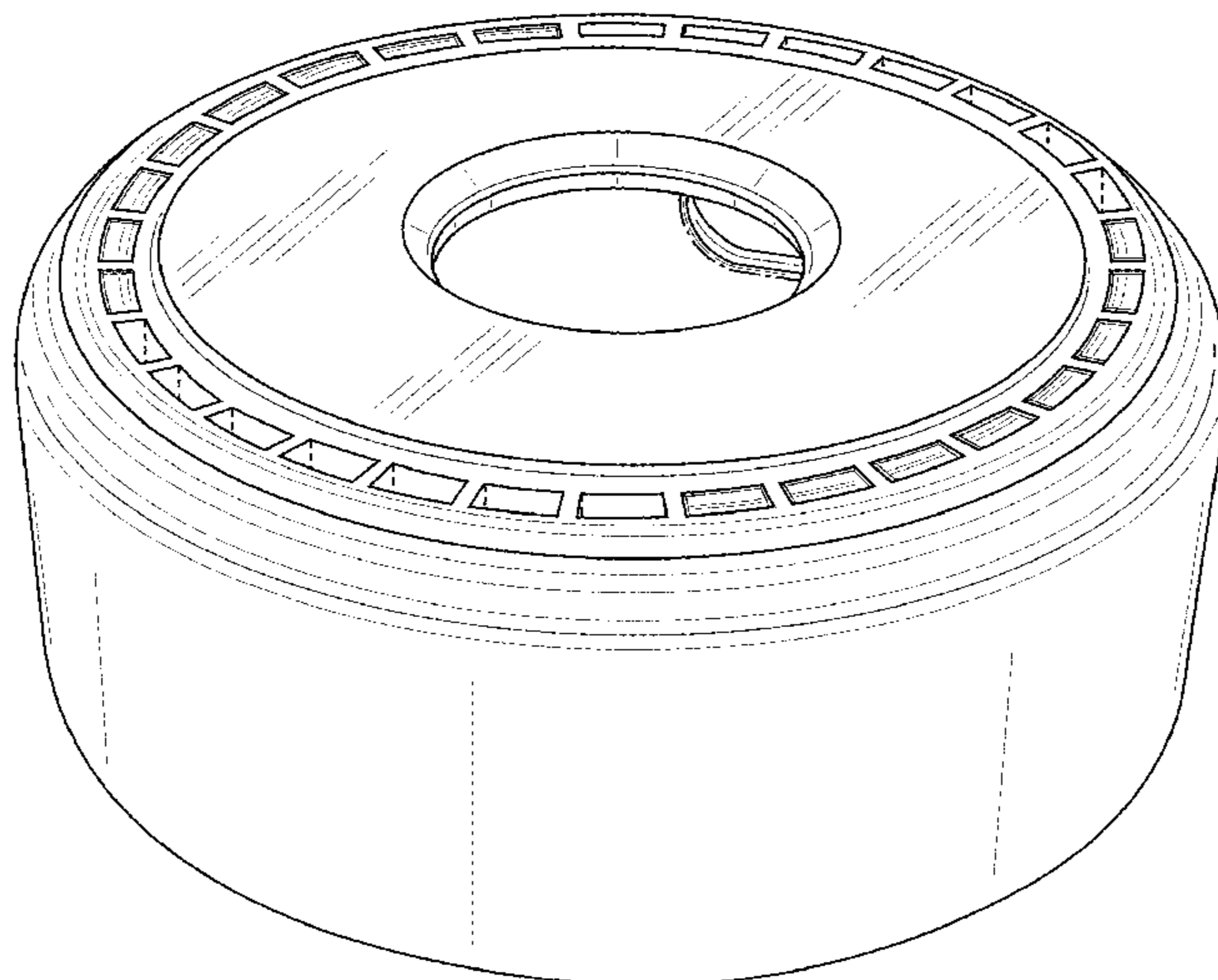
(57) **CLAIM**

The ornamental design for a device cover, as shown and described.

DESCRIPTION

FIG. 1 is a top perspective view of a first embodiment of a device cover;
 FIG. 2 is a bottom perspective view thereof;
 FIG. 3 is a top view thereof;
 FIG. 4 is a bottom view thereof;
 FIG. 5 is a back view thereof;
 FIG. 6 is a front view thereof;
 FIG. 7 is a left-side view thereof;
 FIG. 8 is a right-side view thereof;
 FIG. 9 is a top perspective view of a second embodiment of a device cover. The crosshatched pattern shown on the views of the second embodiment is meant to represent fabric (e.g., a woven fabric), and is understood to be distributed uniformly over the surface of the claimed design upon which the pattern occurs;
 FIG. 10 is a bottom perspective view thereof;
 FIG. 11 is a top view thereof;
 FIG. 12 is a bottom view thereof;
 FIG. 13 is a back view thereof;
 FIG. 14 is a front view thereof;
 FIG. 15 is a left-side view thereof; and,
 FIG. 16 is a right-side view thereof.
 The dashed broken lines depict portions of the device cover that form no part of the claimed design. The dot-dashed broken lines represent boundaries of the claimed device cover and form no part of the claimed design.

1 Claim, 16 Drawing Sheets



(56)

References Cited

U.S. PATENT DOCUMENTS

D437,542 S	2/2001	Mimlitch et al.
D446,441 S	8/2001	Brake
D454,051 S	3/2002	Drake
D569,226 S	5/2008	Brewster et al.
7,596,830 B2	10/2009	Yin
D606,176 S	12/2009	Urquiola
7,631,397 B2	12/2009	Yin
D660,306 S	5/2012	Voorhees
D677,124 S	3/2013	Montgomery
D694,067 S	11/2013	Chan et al.
D763,209 S	8/2016	Park et al.
D776,121 S	1/2017	Mecchella et al.
D784,317 S	4/2017	Mecchella et al.
9,621,216 B1	4/2017	Yeh et al.

OTHER PUBLICATIONS

Canadian Office Action dated Oct. 17, 2017 for Canadian Design Application No. 173568, a counterpart foreign application of Design U.S. Appl. No. 29/578,317, 4 pages.

Chinese Office Action dated Jul. 4, 2017 for Chinese design application No. 201730089853.1, a counterpart foreign application of Design U.S. Appl. No. 29/578,317, 1 page.

Indian Office Action dated Apr. 20, 2017 for Indian design application No. 291854, a counterpart foreign application of Design U.S. Appl. No. 29/578,317, 19 pages.

Indian Office Action dated Apr. 11, 2017 for Indian design application No. 291848, a counterpart foreign application of Design U.S. Appl. No. 29/578,317, 20 pages.

Indian Office Action dated Apr. 20, 2017 for Indian design application No. 291849, a counterpart foreign application of Design U.S. Appl. No. 29/578,317, 19 pages.

Translated Japanese Office Action dated Aug. 4, 2017 for Japanese design application No. 2017-005654, a counterpart foreign application of Design U.S. Appl. No. 29/578,317, 2 pages.

Translated Japanese Office Action dated Aug. 4, 2017 for Japanese design application No. 2017-005655, a counterpart foreign application of Design U.S. Appl. No. 29/578,317, 2 pages.

Translated Japanese Office Action dated Aug. 4, 2017 for Japanese design application No. 2017-005656, a counterpart foreign application of Design U.S. Appl. No. 29/578,317, 2 pages.

Translated Japanese Office Action dated Aug. 4, 2017 for Japanese design application No. 2017-005657, a counterpart foreign application of Design U.S. Appl. No. 29/578,317, 2 pages.

Translated Japanese Office Action dated Aug. 4, 2017 for Japanese design application No. 2017-005658, a counterpart foreign application of Design U.S. Appl. No. 29/578,317, 2 pages.

Translated Japanese Office Action dated Aug. 4, 2017 for Japanese design application No. 2017-005659, a counterpart foreign application of Design U.S. Appl. No. 29/578,317, 2 pages.

Korean Office Action dated Nov. 12, 2017 for Korean Design Application No. 30-2017-12692 M001, a counterpart foreign application of Design U.S. Appl. No. 29/578,317, 2 pages.

Korean Office Action dated Nov. 12, 2017 for Korean Design Application No. 30-2017-12692 M002, a counterpart foreign application of Design U.S. Appl. No. 29/578,317, 2 pages.

Korean Office Action dated Nov. 12, 2017 for Korean Design Application No. 30-2017-12692 M003, a counterpart foreign application of Design U.S. Appl. No. 29/578,317, 2 pages.

Korean Office Action dated Nov. 12, 2017 for Korean Design Application No. 30-2017-12692 M005, a counterpart foreign application of Design U.S. Appl. No. 29/578,317, 2 pages.

Korean Office Action dated Nov. 12, 2017 for Korean Design Application No. 30-2017-12692 M004, a counterpart foreign application of Design U.S. Appl. No. 29/578,317, 2 pages.

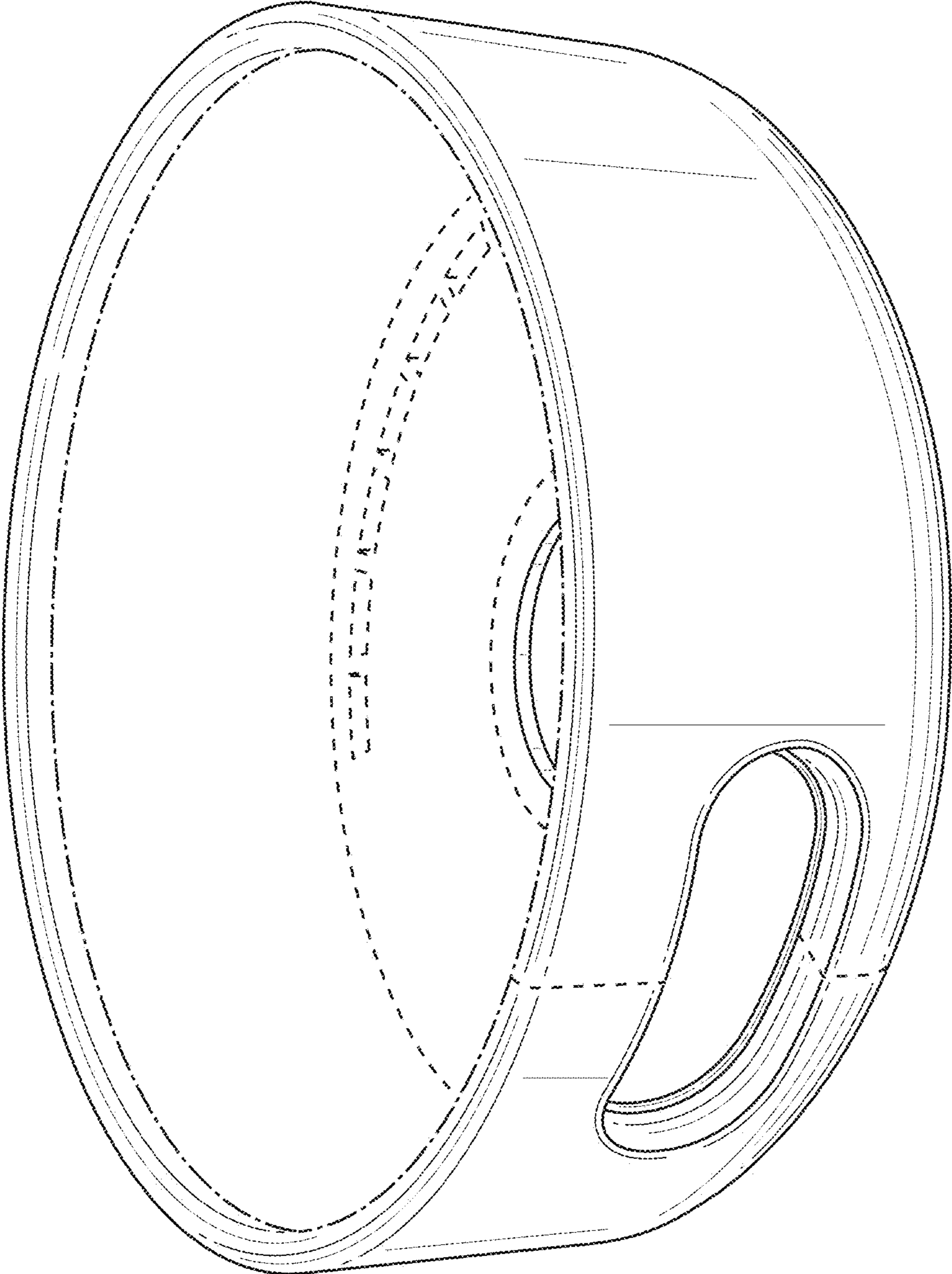


FIG. 1

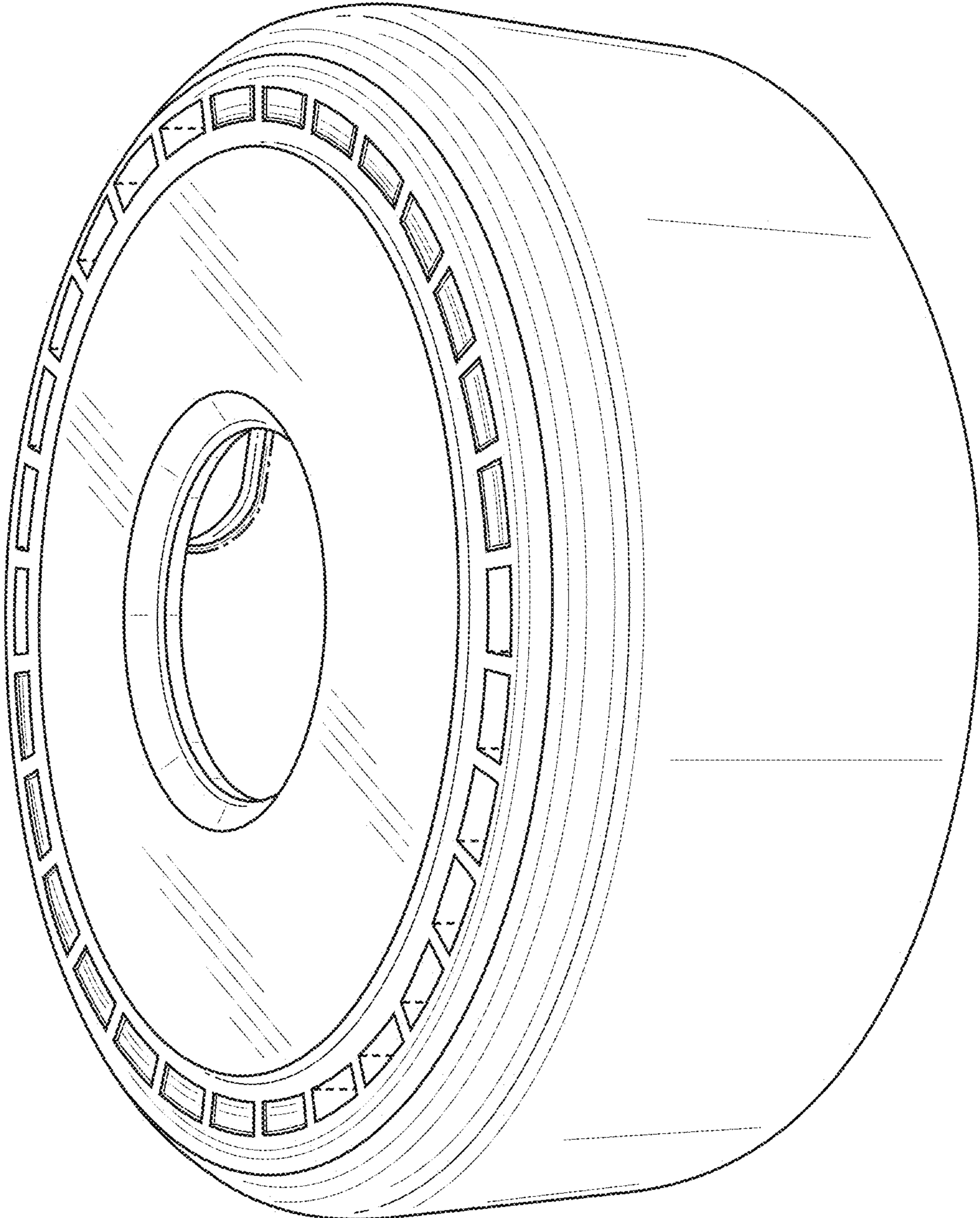


FIG. 2

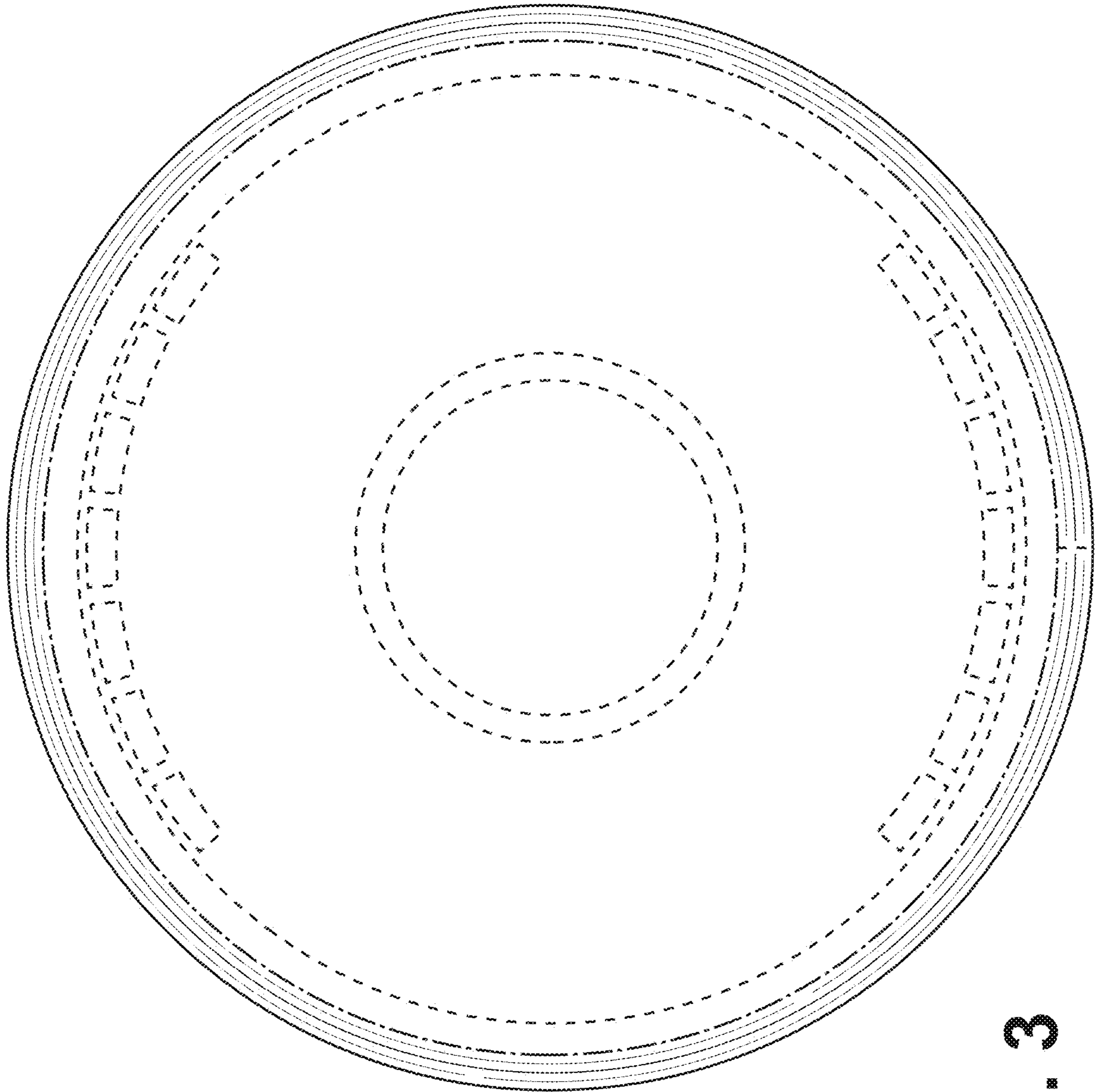


FIG. 3

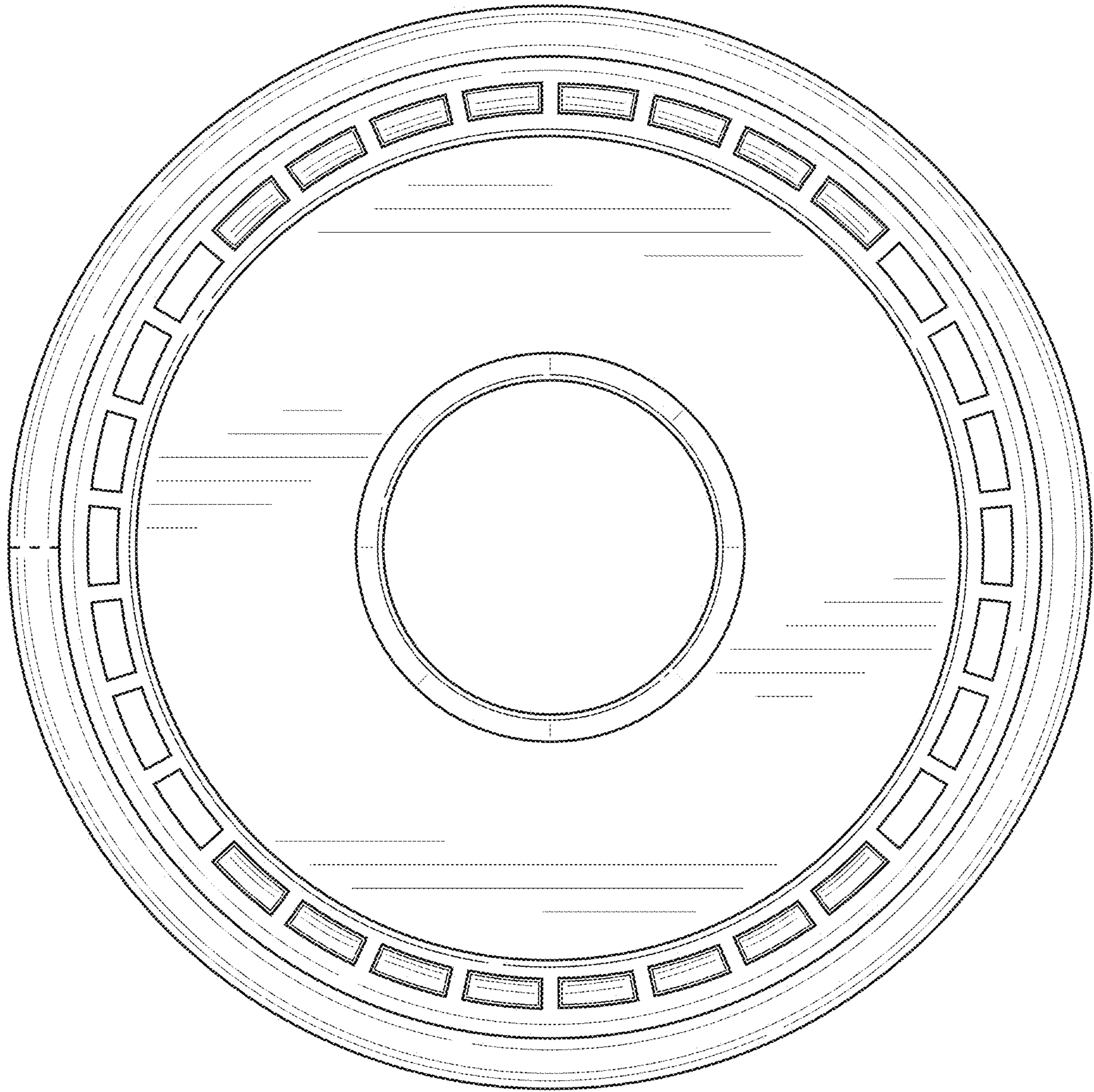


FIG. 4

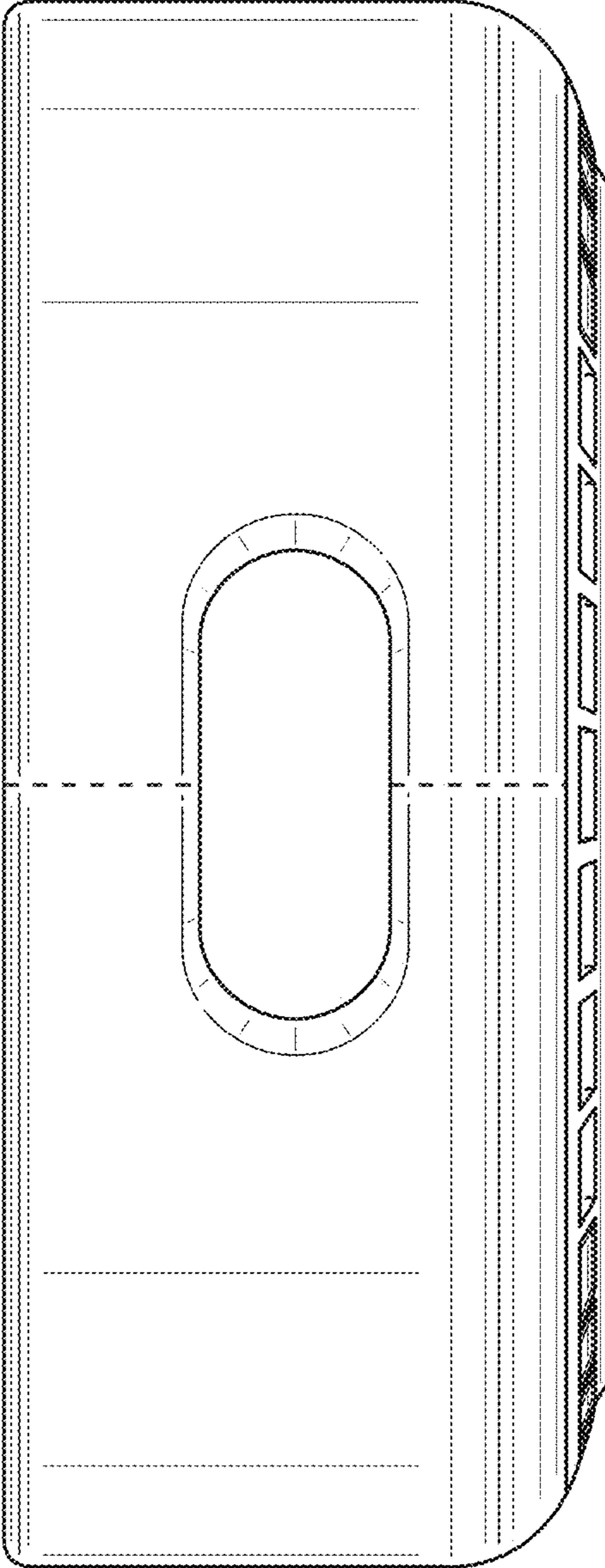


FIG. 5

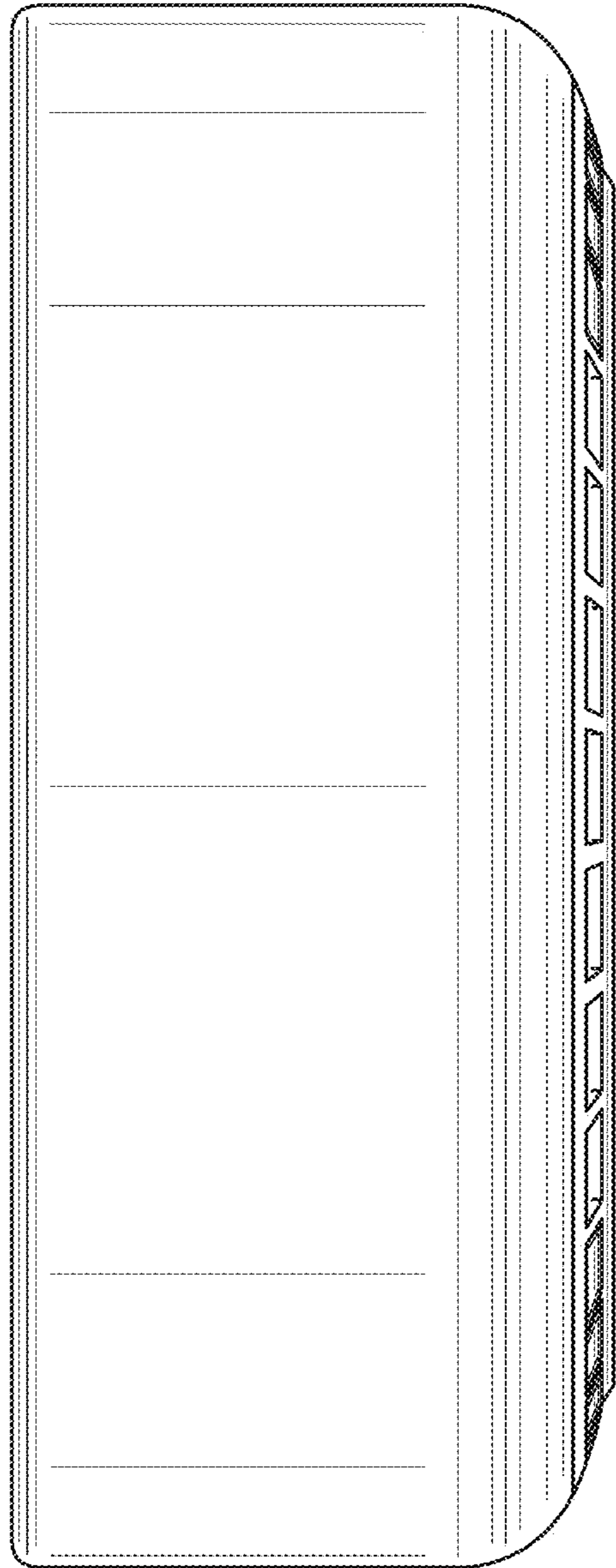


FIG. 6

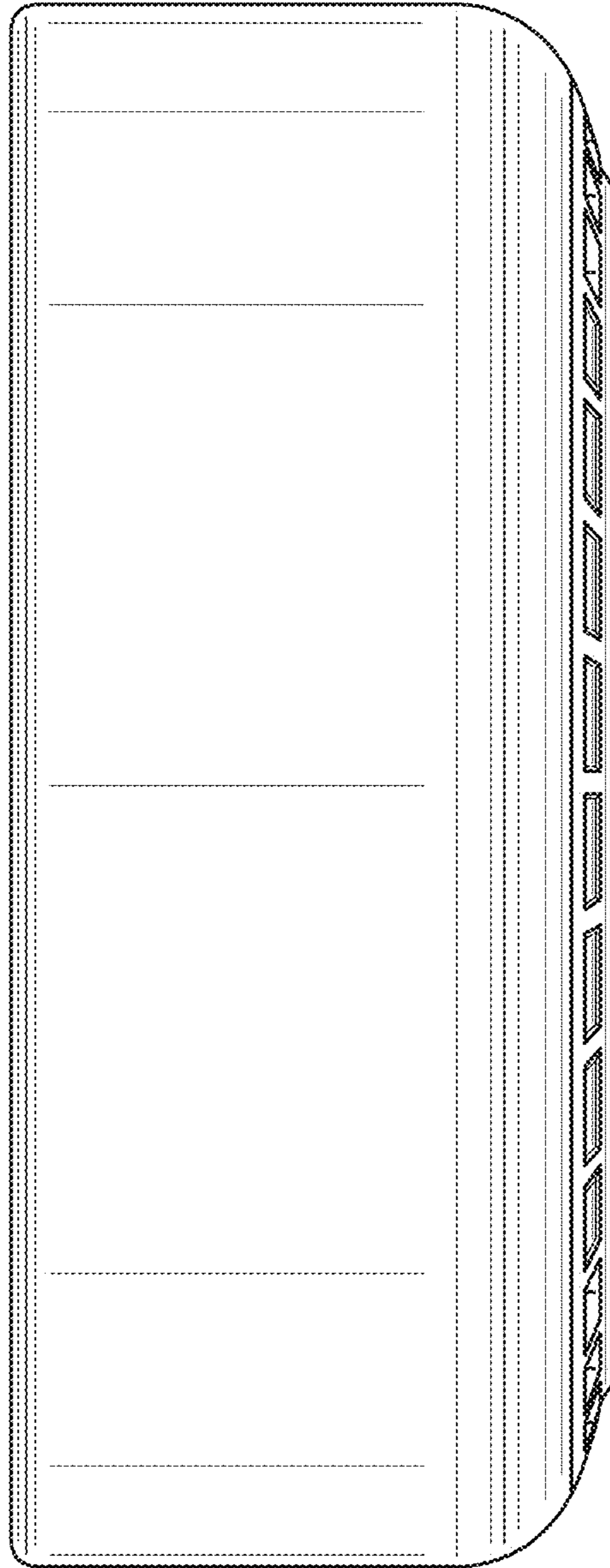


FIG. 7

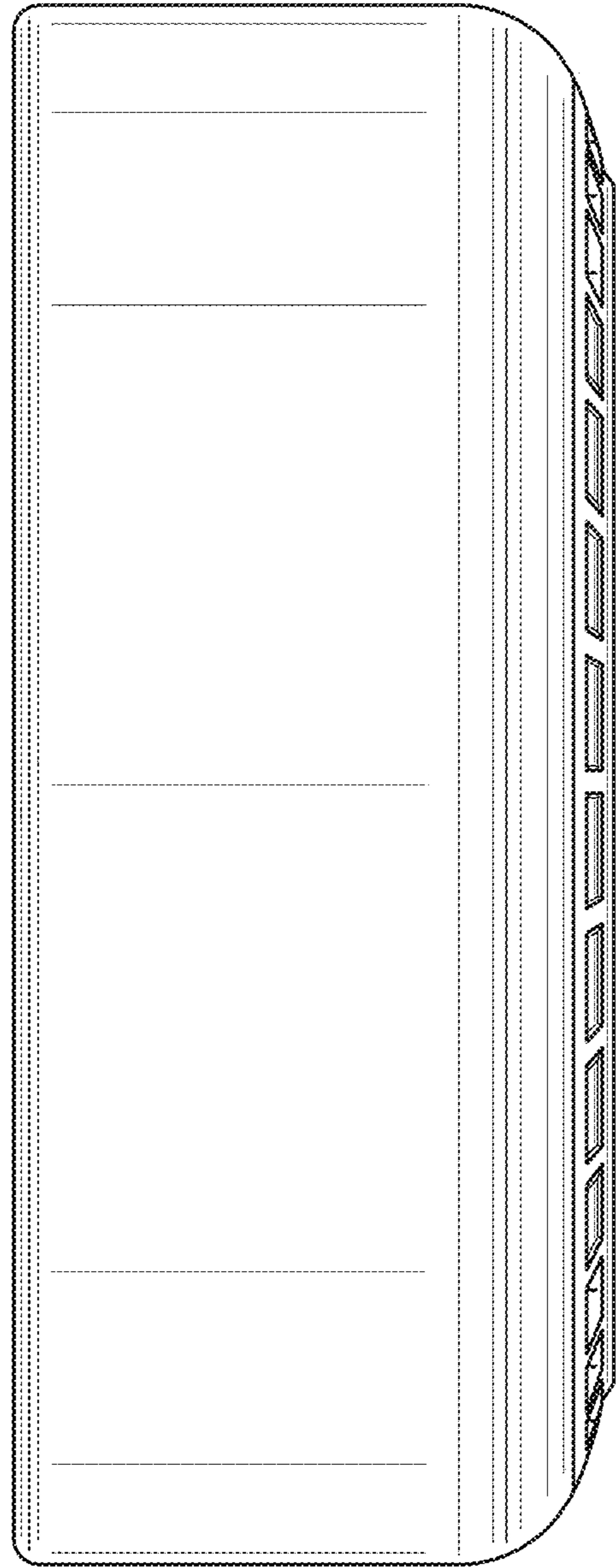


FIG. 8

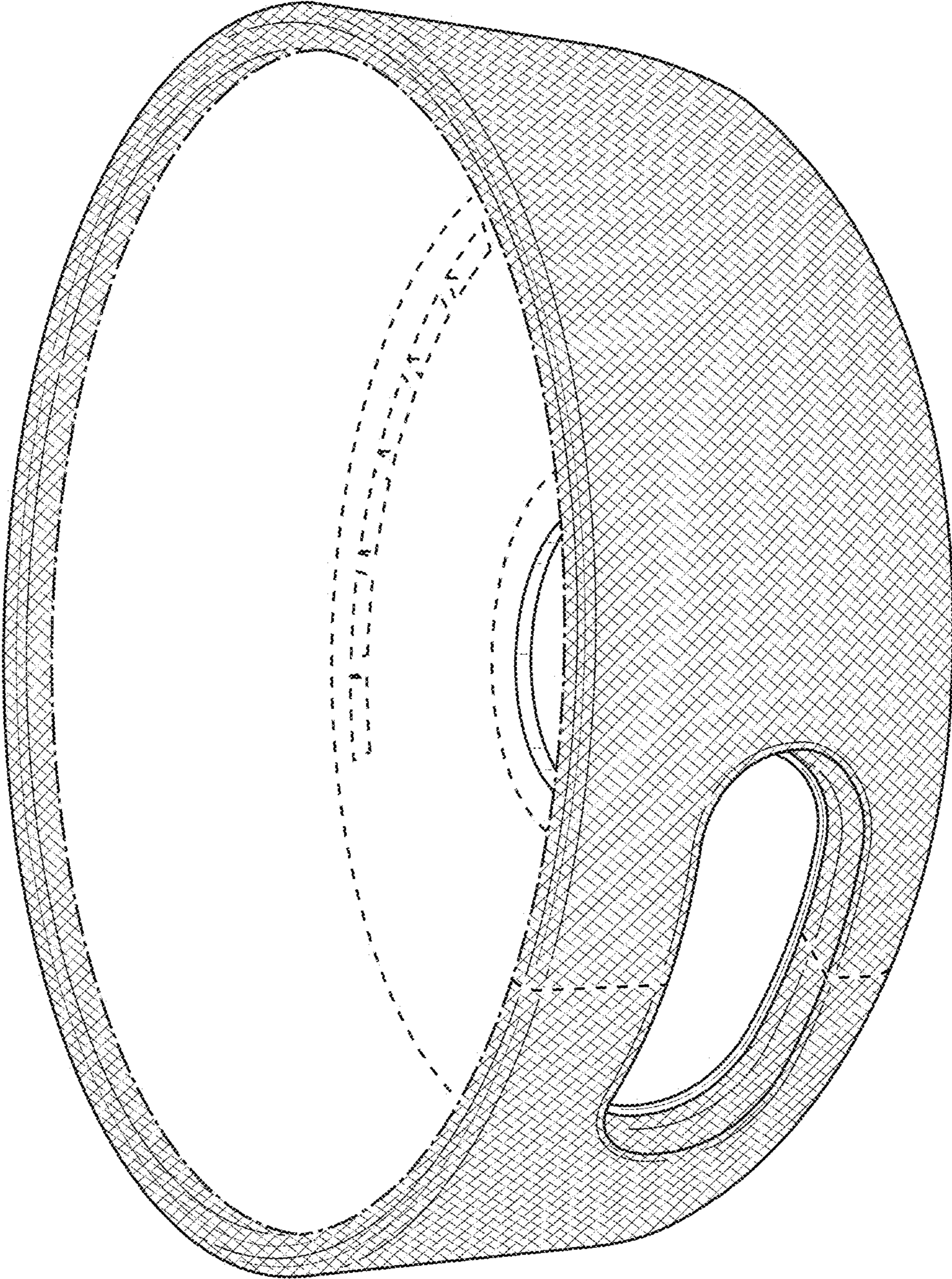


FIG. 9

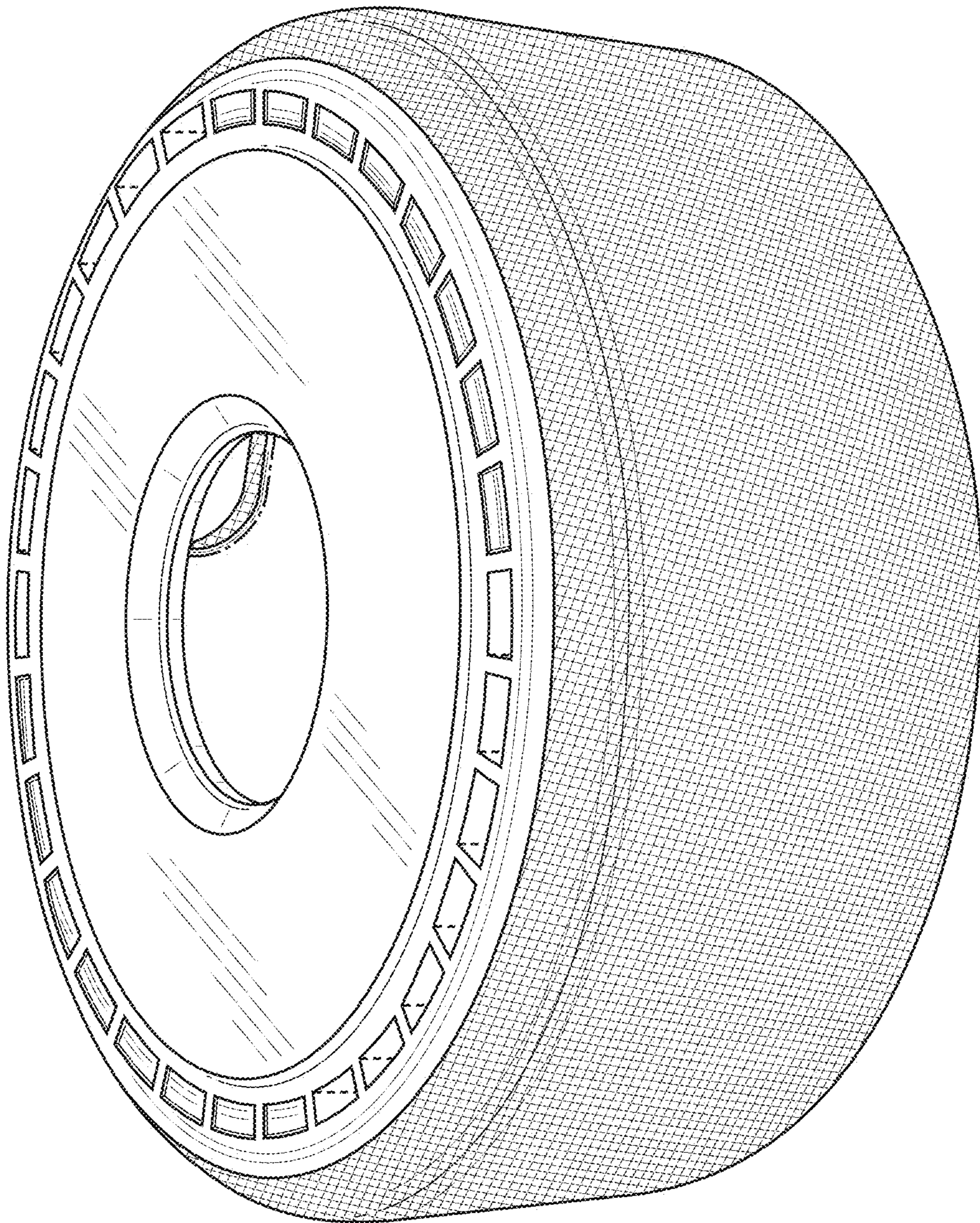


FIG. 10

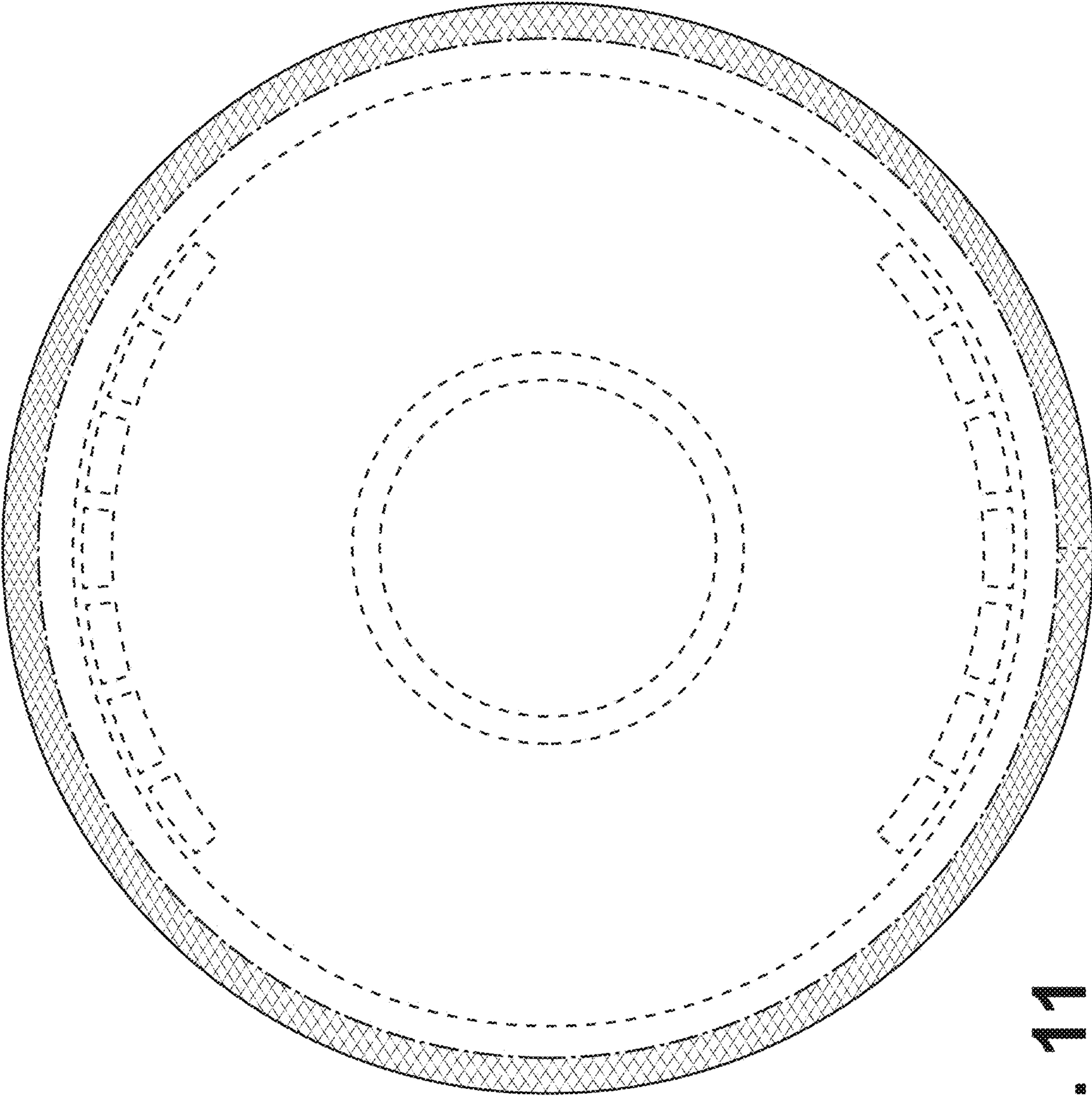


FIG. 11

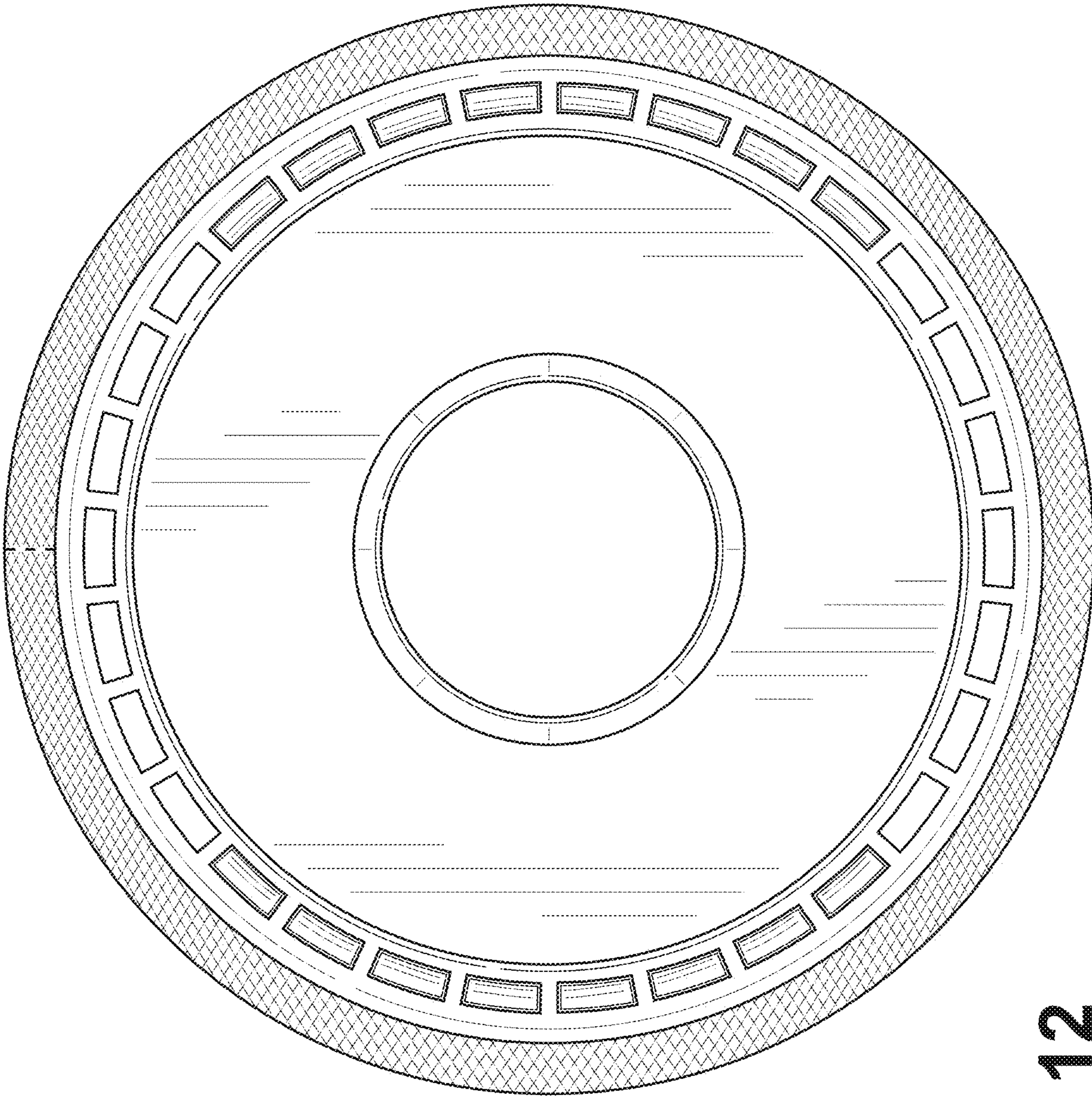


FIG. 12

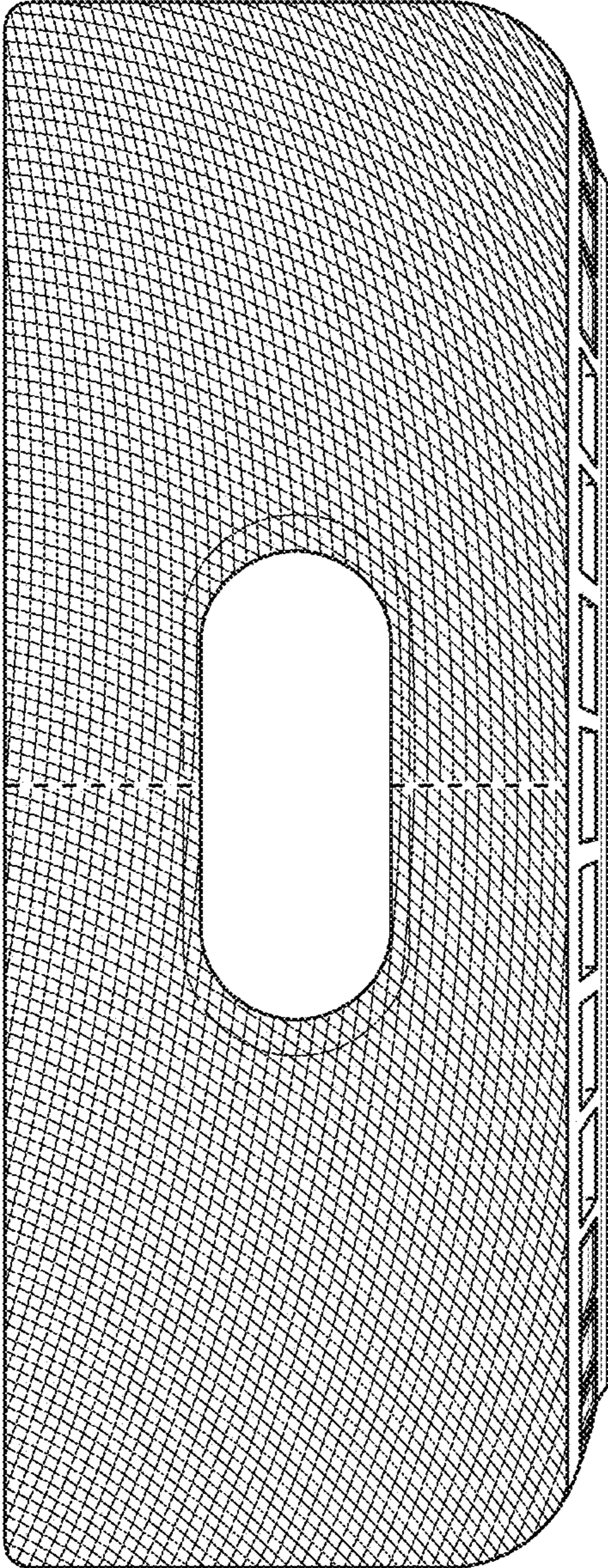


FIG. 13

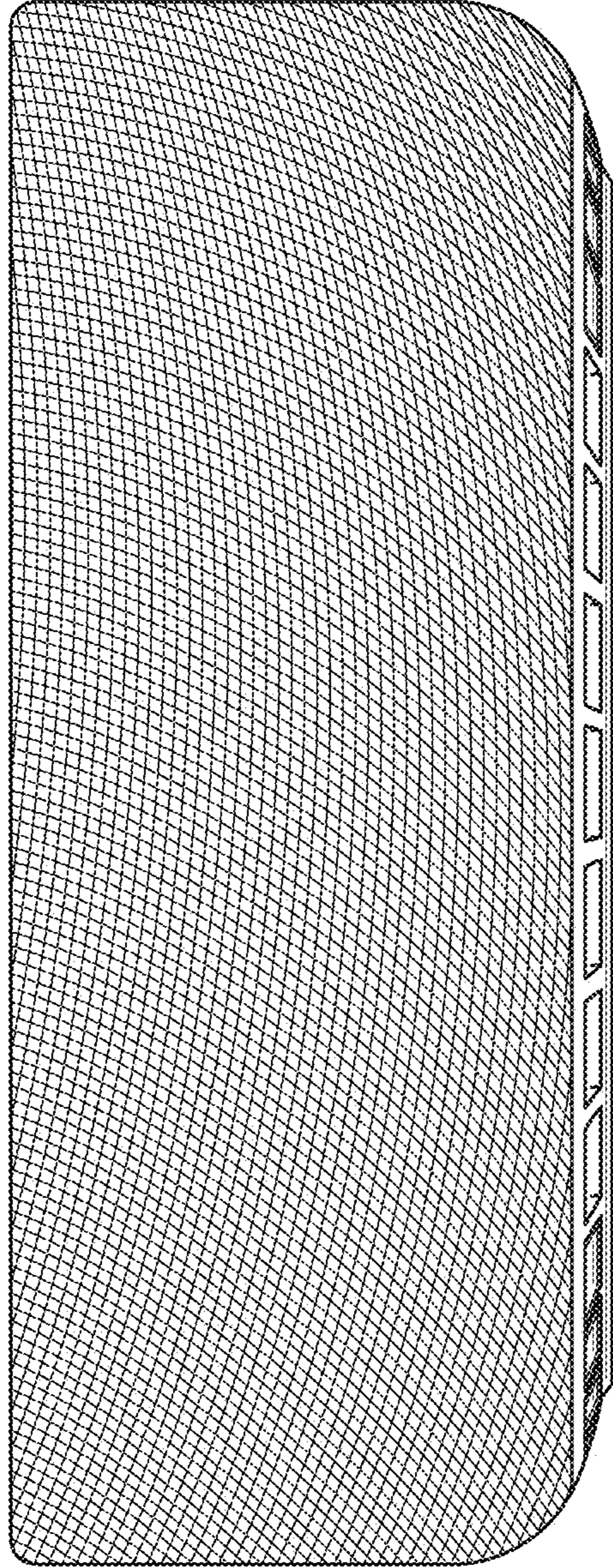


FIG. 14

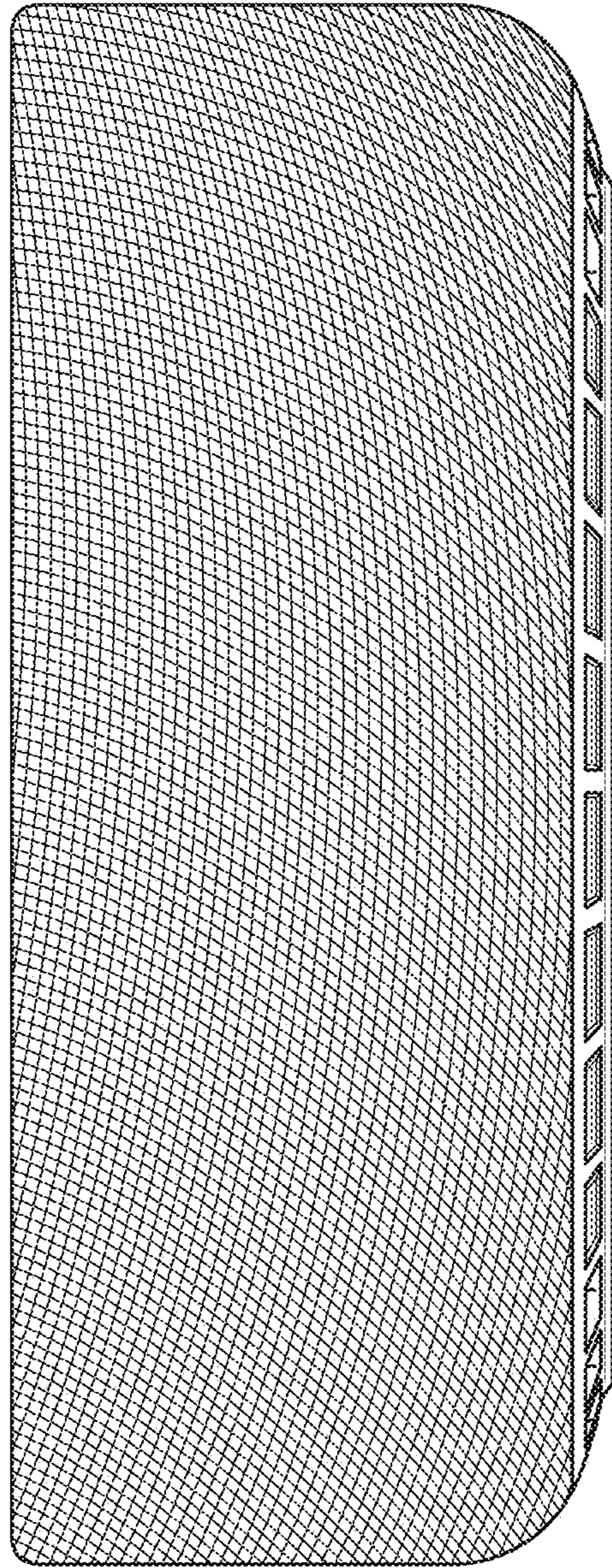


FIG. 15

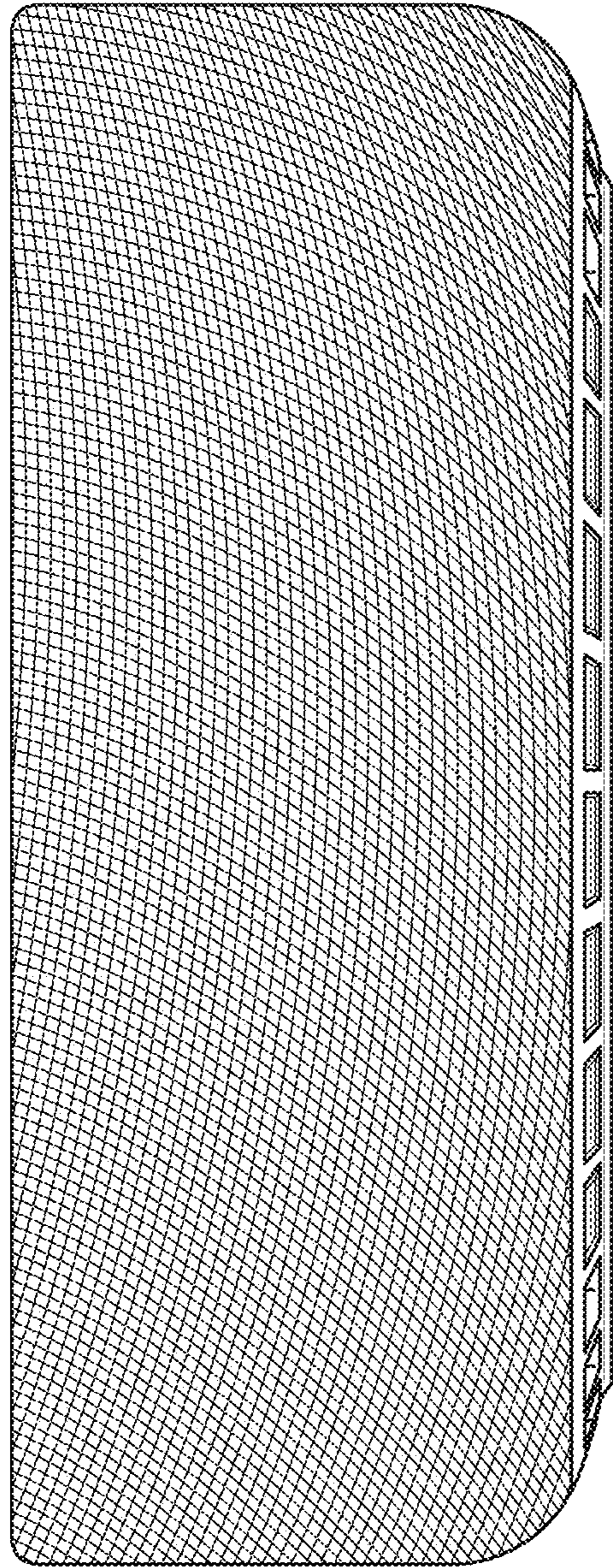


FIG. 16