



US00D886810S

(12) **United States Design Patent**
Zhao

(10) **Patent No.:** **US D886,810 S**
(45) **Date of Patent:** **** Jun. 9, 2020**

- (54) **TELEVISION ANTENNA**
- (71) Applicant: **Guodong Zhao**, Shenzhen (CN)
- (72) Inventor: **Guodong Zhao**, Shenzhen (CN)
- (**) Term: **15 Years**
- (21) Appl. No.: **29/724,510**
- (22) Filed: **Feb. 16, 2020**
- (51) **LOC (12) Cl.** **14-03**
- (52) **U.S. Cl.**
USPC **D14/230; D14/233**
- (58) **Field of Classification Search**
USPC D14/138, 230-238, 299, 358; D12/42,
D12/43
CPC H01Q 7/00; H01Q 13/10; H01Q 9/285;
H01Q 19/30; H01Q 19/12; H01Q 1/38;
H01Q 1/36; H04B 1/0475; H04B 1/034;
H05K 11/00
See application file for complete search history.

D710,834 S *	8/2014	Jeon	D14/230
D748,079 S *	1/2016	Dinsdale	D14/230
D754,107 S *	4/2016	Nabavi	D14/230
D754,641 S	4/2016	Suleiman		
D791,746 S *	7/2017	Blouch	D14/230
D847,797 S *	5/2019	Nabavi	D14/230
D852,785 S *	7/2019	Zheng	D14/230
D853,363 S *	7/2019	Zheng	D14/230
D863,270 S *	10/2019	Naweed	D14/230
2008/0111761 A1 *	5/2008	Kan	H01Q 9/27 343/873
2010/0289716 A1 *	11/2010	Lenzi	H01Q 7/00 343/793

* cited by examiner

Primary Examiner — John Windmuller
(74) *Attorney, Agent, or Firm* — ZanIP

(57) **CLAIM**

The ornamental design for a television antenna, as shown and described.

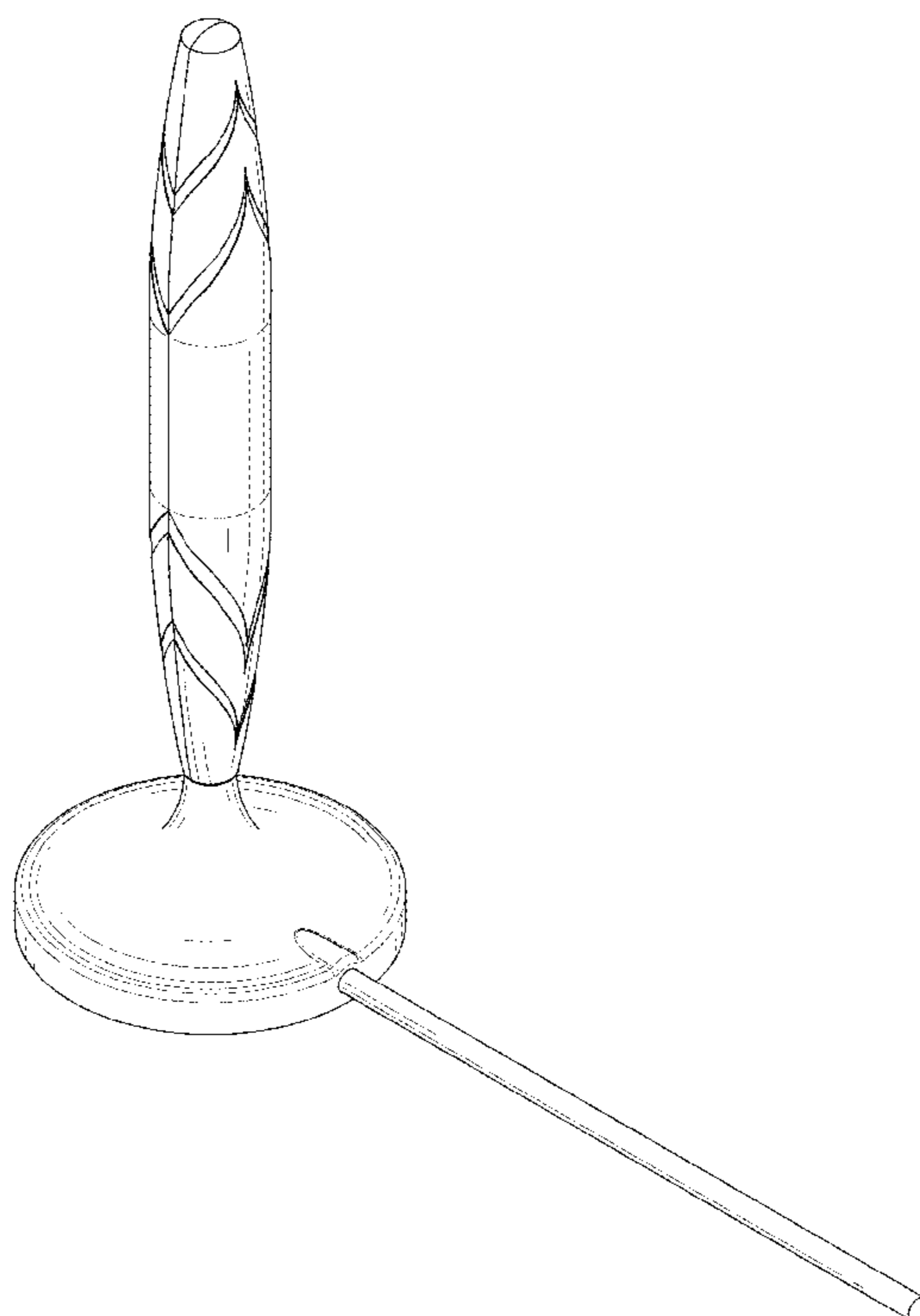
DESCRIPTION

FIG. 1 is a front and top perspective view of a television antenna, showing my new design;
 FIG. 2 is a rear and bottom perspective view thereof;
 FIG. 3 is a front elevational view thereof;
 FIG. 4 is a rear elevational view thereof;
 FIG. 5 is a left side elevational view thereof;
 FIG. 6 is a right side elevational view thereof;
 FIG. 7 is a top plan view thereof; and,
 FIG. 8 is a bottom plan view thereof.
 The broken lines in the figures illustrate portions of the television antenna that form no part of the claimed design.

1 Claim, 8 Drawing Sheets

(56) **References Cited**
U.S. PATENT DOCUMENTS

D157,090 S *	1/1950	Schmidt	D14/234
2,505,424 A *	4/1950	Tomlinson	H01Q 19/17 343/776
D209,506 S *	12/1967	Gaida	D14/233
D379,992 S *	6/1997	Aldama	D14/230
D491,927 S *	6/2004	Tai	D14/230
D501,201 S *	1/2005	Chiang	D14/230
D506,749 S *	6/2005	Sullivan	D14/230
D561,745 S *	2/2008	Green	D14/233
D580,419 S *	11/2008	Wu	D14/230
D696,231 S *	12/2013	Konishi	D14/230



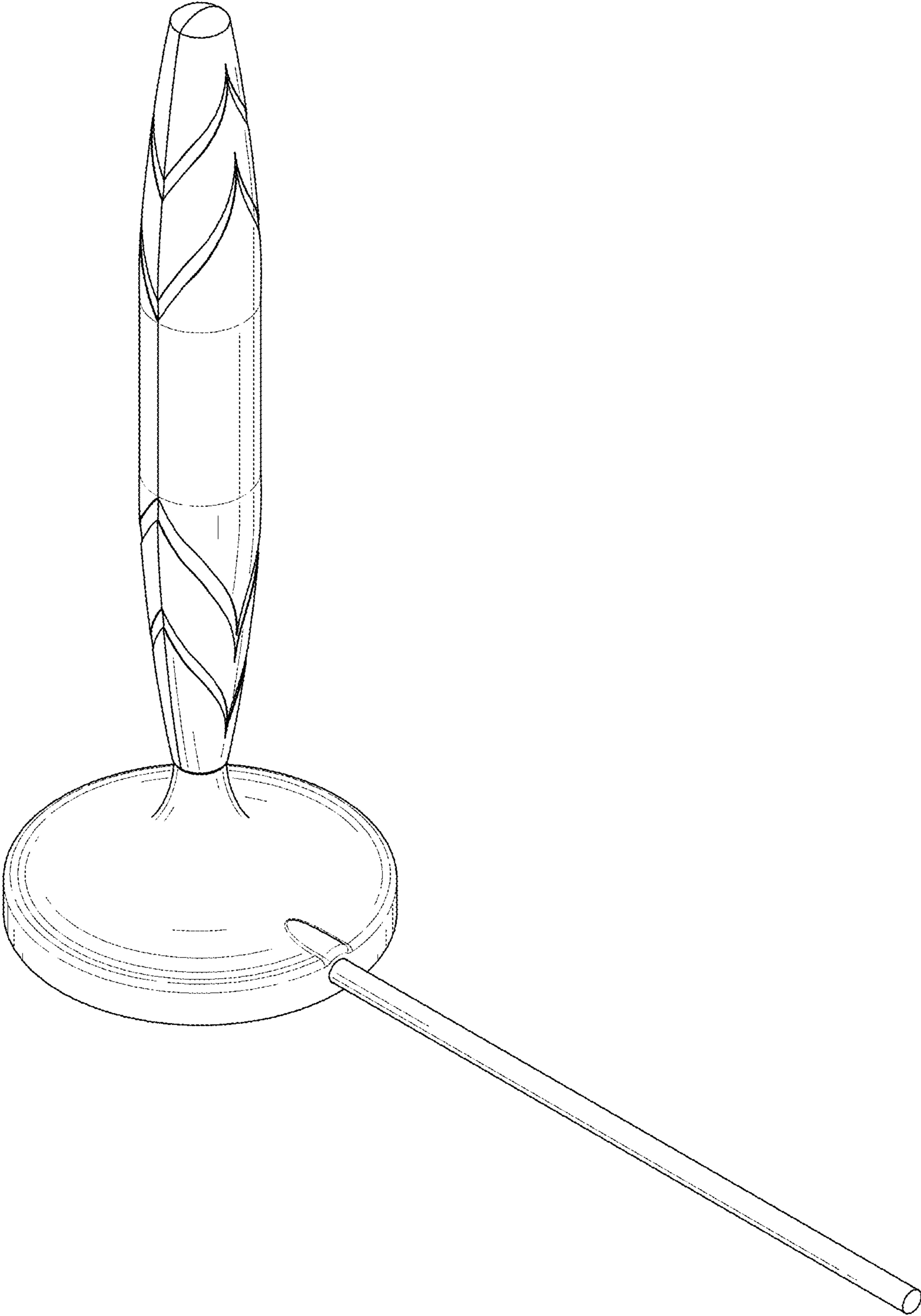


FIG. 1

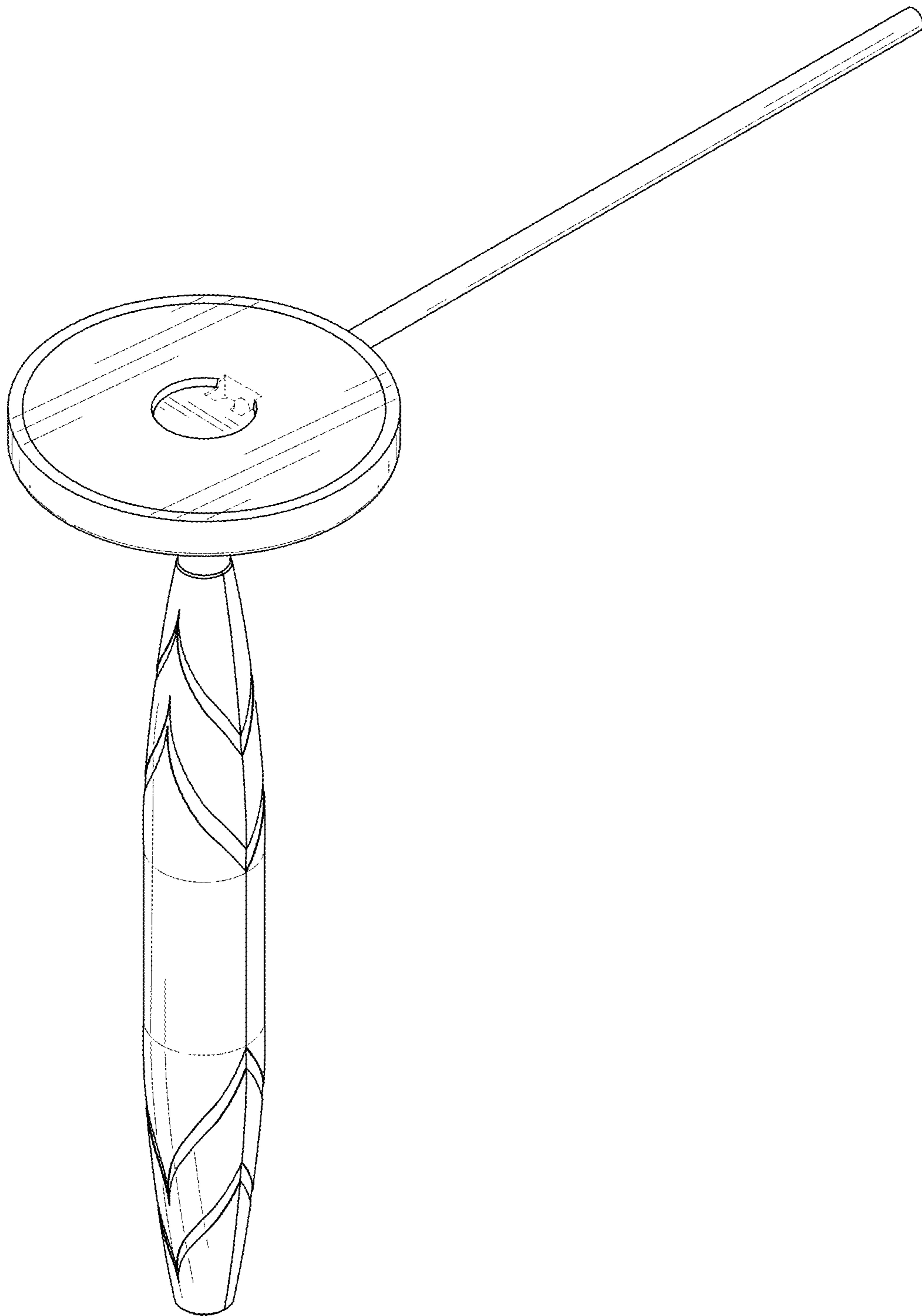


FIG. 2

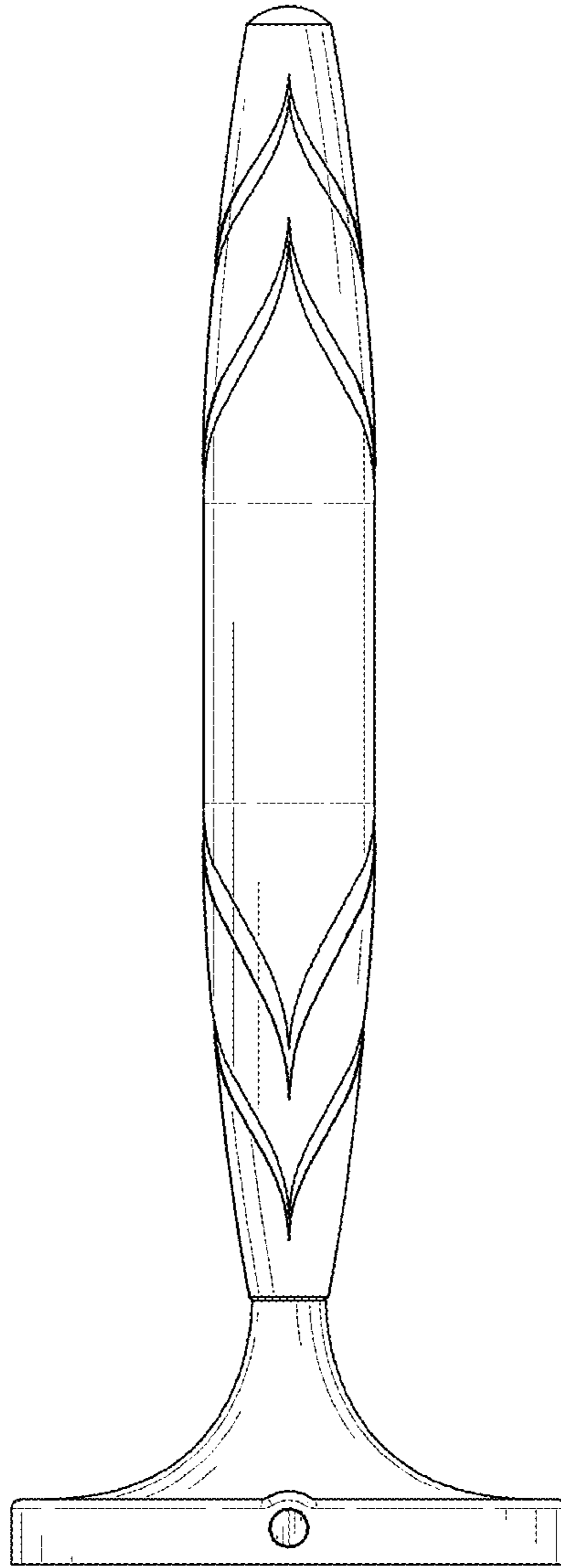


FIG. 3

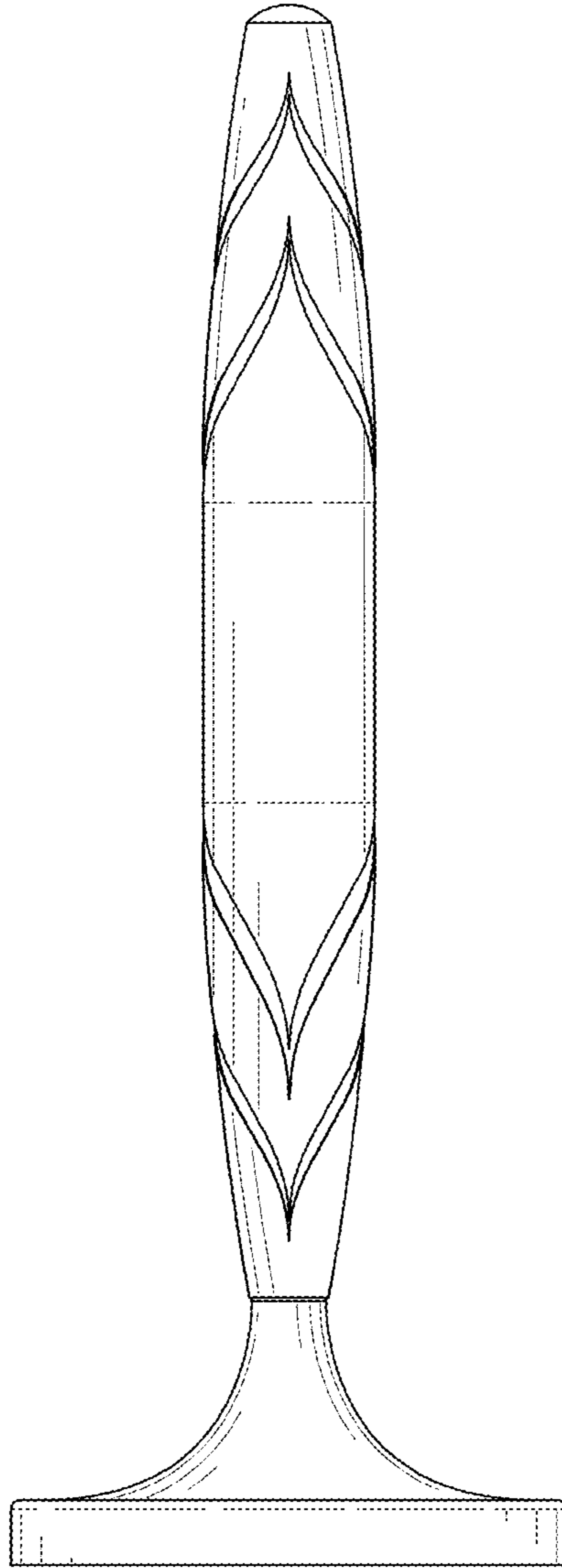


FIG. 4

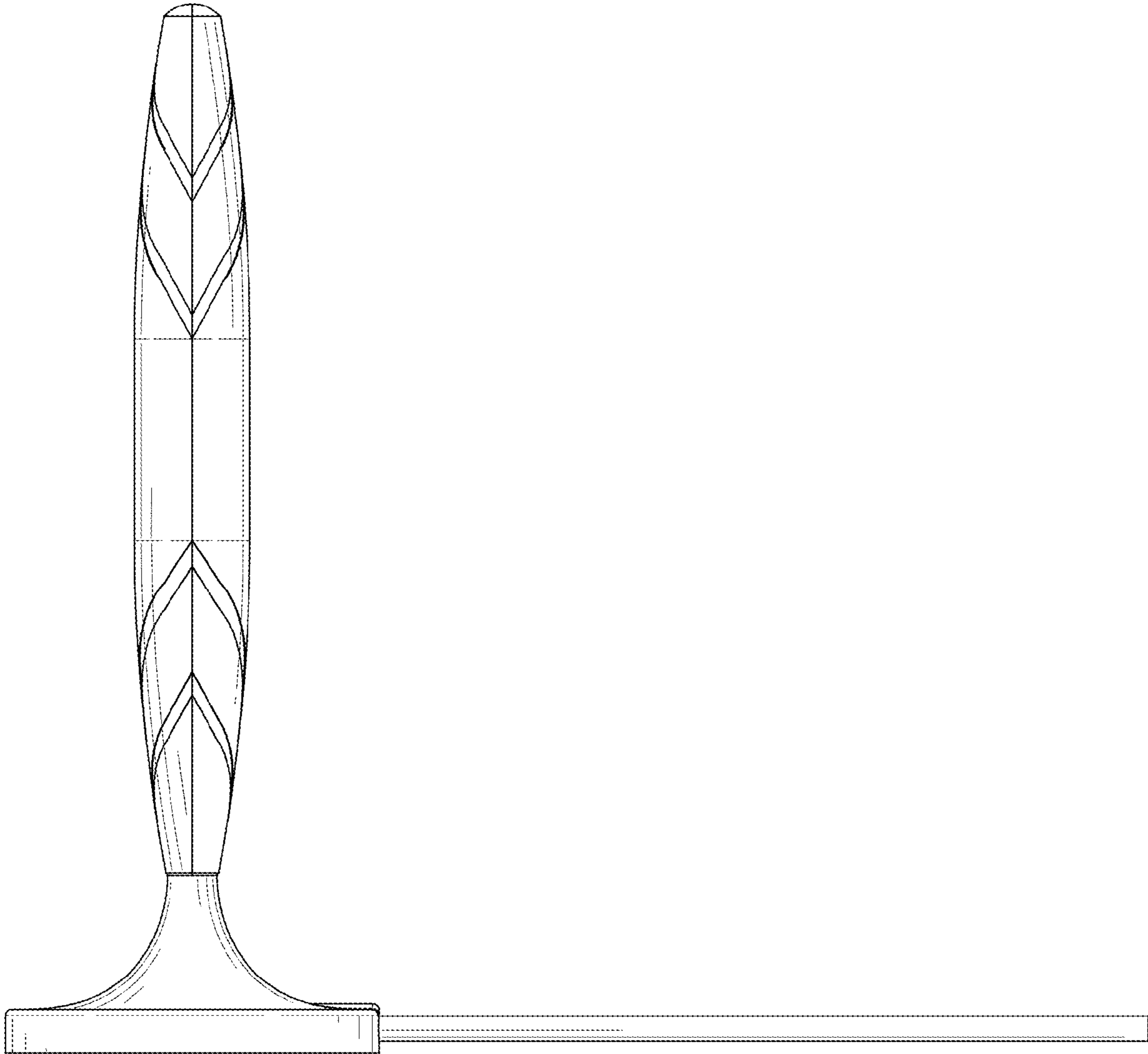


FIG. 5

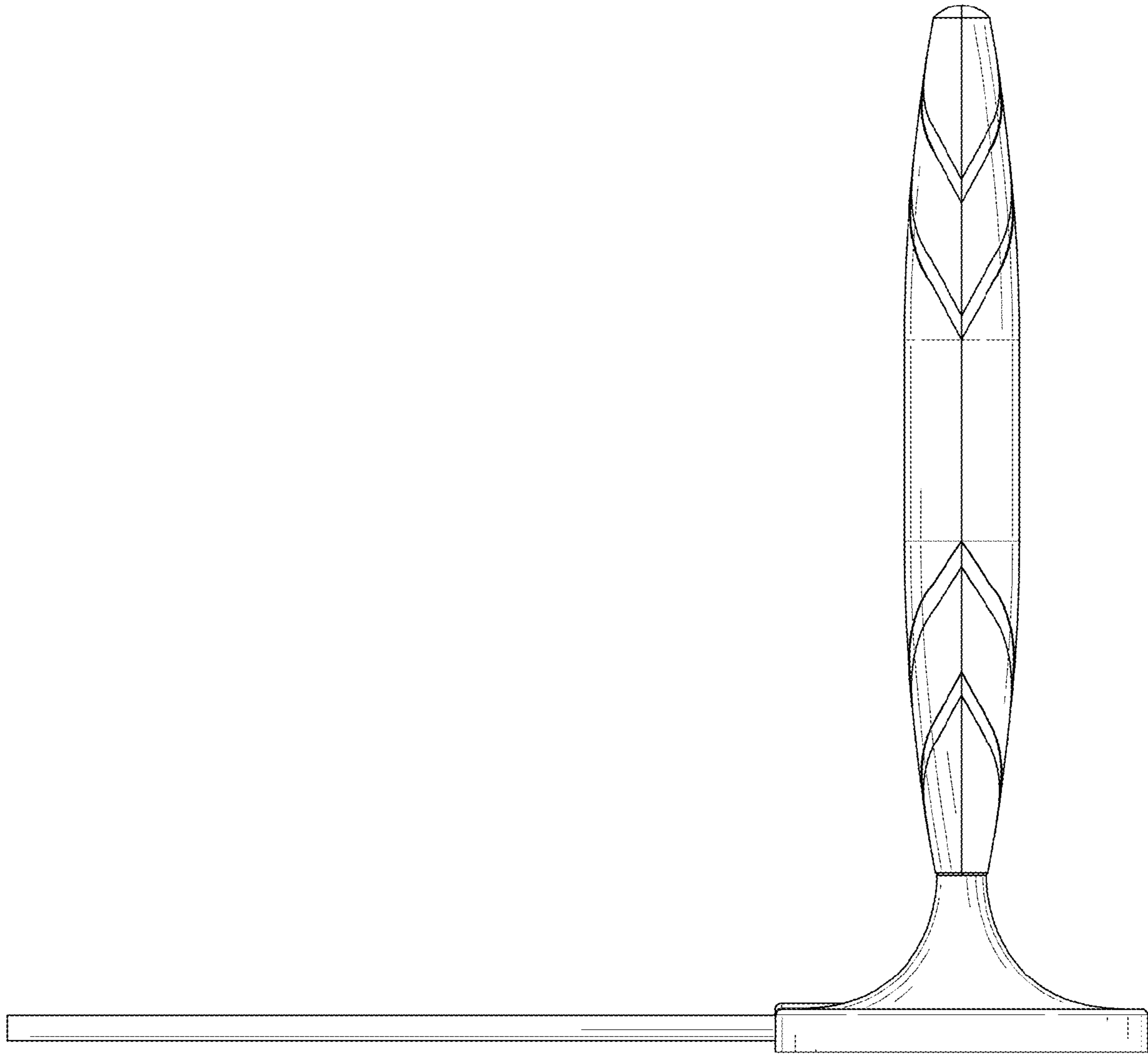


FIG. 6

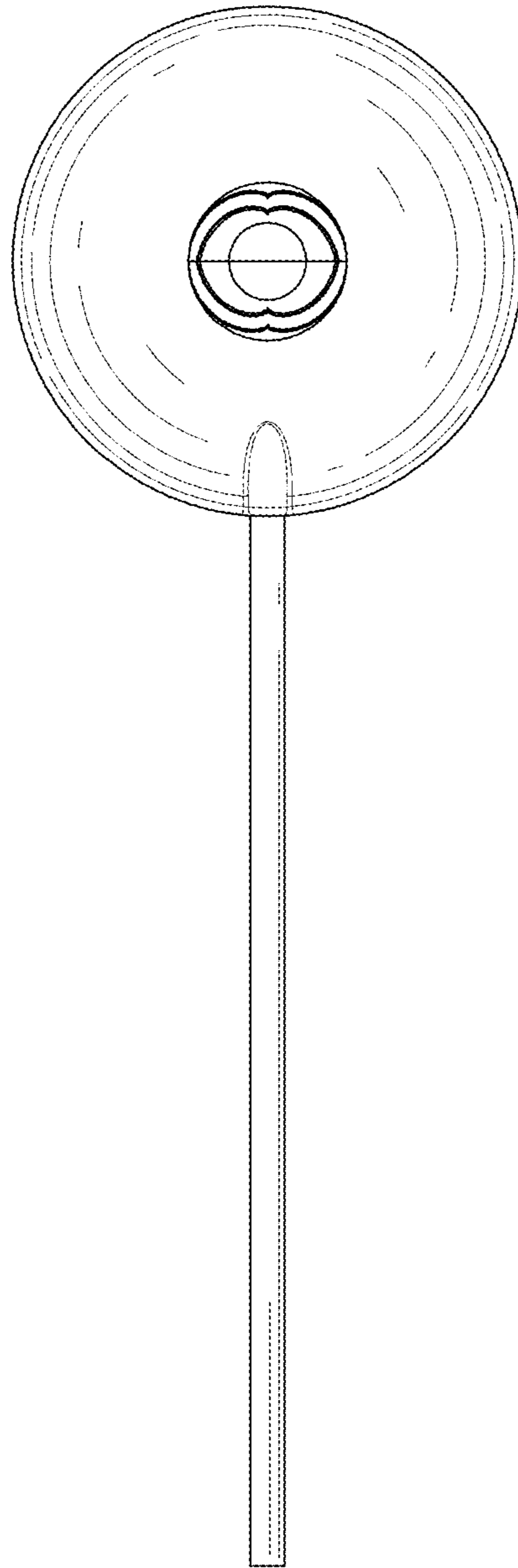


FIG. 7

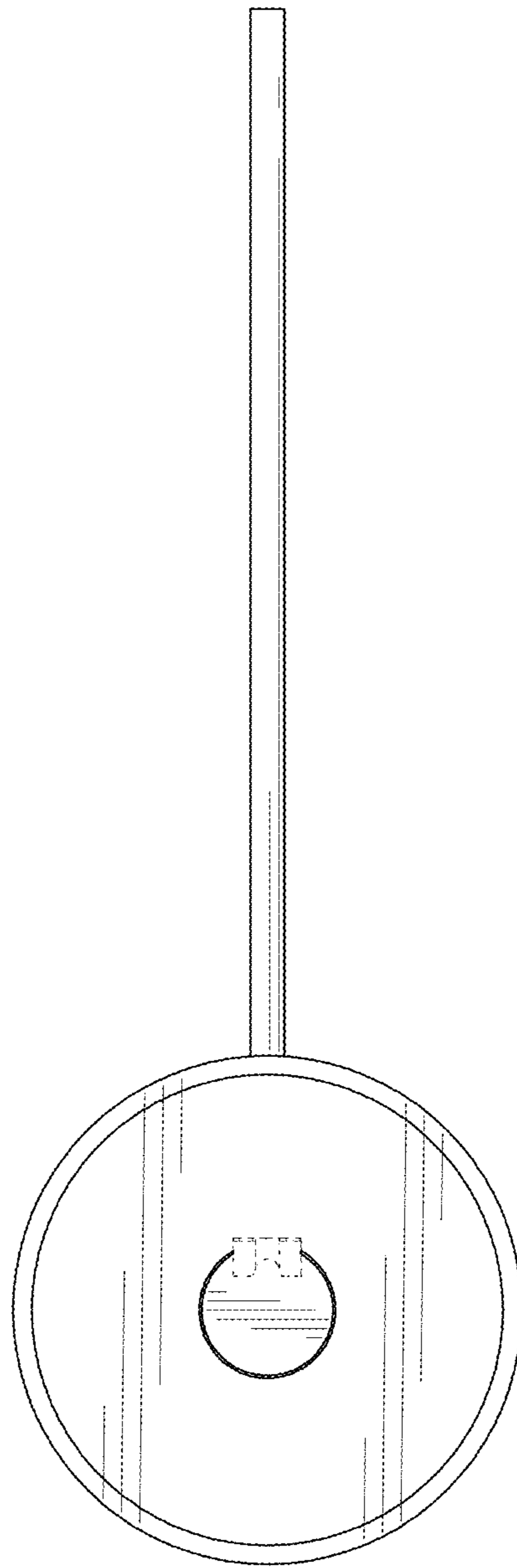


FIG. 8