



US00D886807S

(12) **United States Design Patent**
Ruhman et al.

(10) **Patent No.:** **US D886,807 S**
(45) **Date of Patent:** **** Jun. 9, 2020**

- (54) **PANEL ANTENNA**
- (71) Applicant: **Wilson Electronics, LLC**, St. George, UT (US)
- (72) Inventors: **Brooks Stephen Ruhman**, Dallas, TX (US); **Scot Herbst**, Santa Cruz, CA (US); **Will Hunter**, Denver, CO (US); **Patrick Tufts**, Hamilton, OH (US); **Ellen Posch**, Cleveland Heights, OH (US)
- (73) Assignee: **Wilson Electronics, LLC**, St. George, UT (US)
- (**) Term: **15 Years**
- (21) Appl. No.: **29/686,194**
- (22) Filed: **Apr. 2, 2019**
- (51) **LOC (12) Cl.** **14-03**
- (52) **U.S. Cl.**
USPC **D14/230**
- (58) **Field of Classification Search**
USPC D14/138, 230-238, 299, 358; D12/42, D12/43
CPC H01Q 7/00; H01Q 13/10; H01Q 9/285; H01Q 19/30; H01Q 19/12; H01Q 1/38; H01Q 1/36; H04B 1/0475; H04B 1/034; H05K 11/00
See application file for complete search history.

- (56) **References Cited**
U.S. PATENT DOCUMENTS
D493,447 S * 7/2004 Noro D14/230
D660,839 S * 5/2012 Govindasamy D14/358
D704,176 S * 5/2014 Kwak D14/240

- D773,947 S * 12/2016 Scarcella D10/104.1
- D790,514 S * 6/2017 Woodward D10/65
- D809,493 S * 2/2018 Konotopskyi D14/242
- D813,212 S * 3/2018 Nangeroni D14/240
- D815,626 S * 4/2018 Clover D14/242
- D828,342 S * 9/2018 Chen D14/240
- D839,244 S * 1/2019 Johnson D14/230
- D843,953 S * 3/2019 Read D13/156
- D854,010 S * 7/2019 Deng D14/358
- D875,087 S * 2/2020 Petros D14/230
- D877,126 S * 3/2020 DeCastro D14/230
- D877,738 S * 3/2020 Altschul D14/432
- 2005/0225489 A1 * 10/2005 Aizawa H01Q 1/3275 343/713

* cited by examiner

Primary Examiner — John Windmuller

(74) *Attorney, Agent, or Firm* — Jones Waldo Holbrook & McDonough, PC

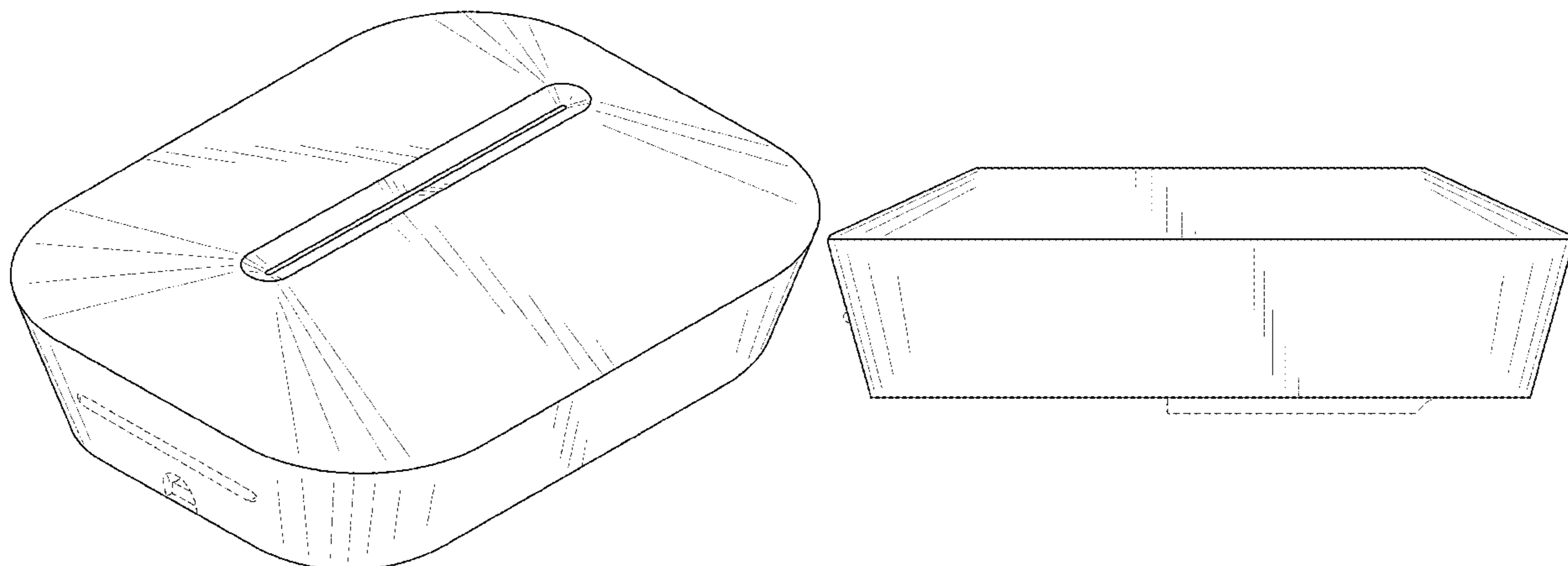
(57) **CLAIM**

The ornamental design for a panel antenna, as shown and described.

DESCRIPTION

FIG. 1 is a front perspective view of the presently claimed design.
 FIG. 2 is a side view of the presently claimed design.
 FIG. 3 is an opposite side view of the presently claimed design.
 FIG. 4 is a front view of the presently claimed design.
 FIG. 5 is a rear view of the presently claimed design.
 FIG. 6 is a top view of the presently claimed design.
 FIG. 7 is a bottom view of the presently claimed design; and,
 FIG. 8 is a bottom perspective view of the presently claimed design.

1 Claim, 6 Drawing Sheets



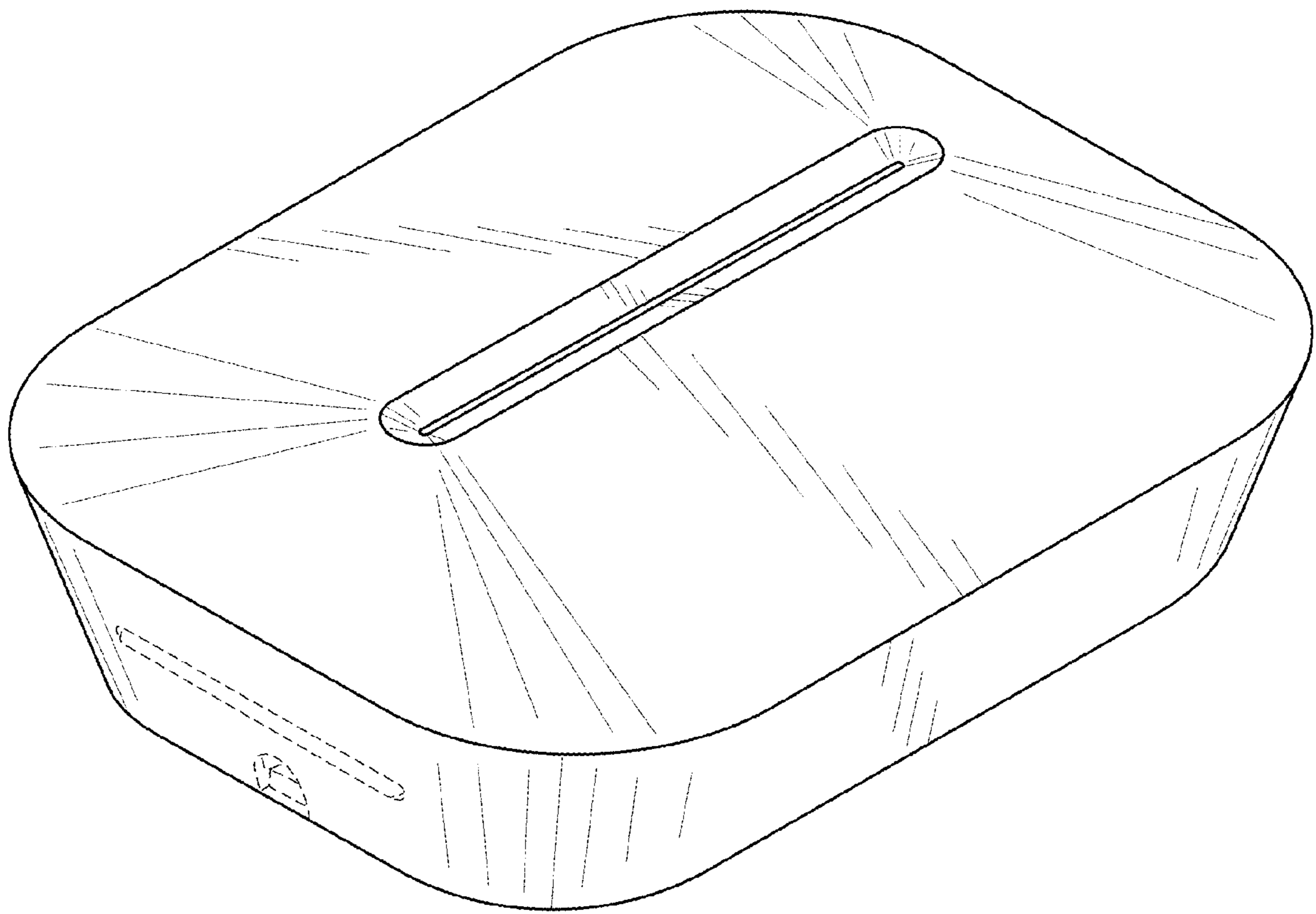


FIG. 1

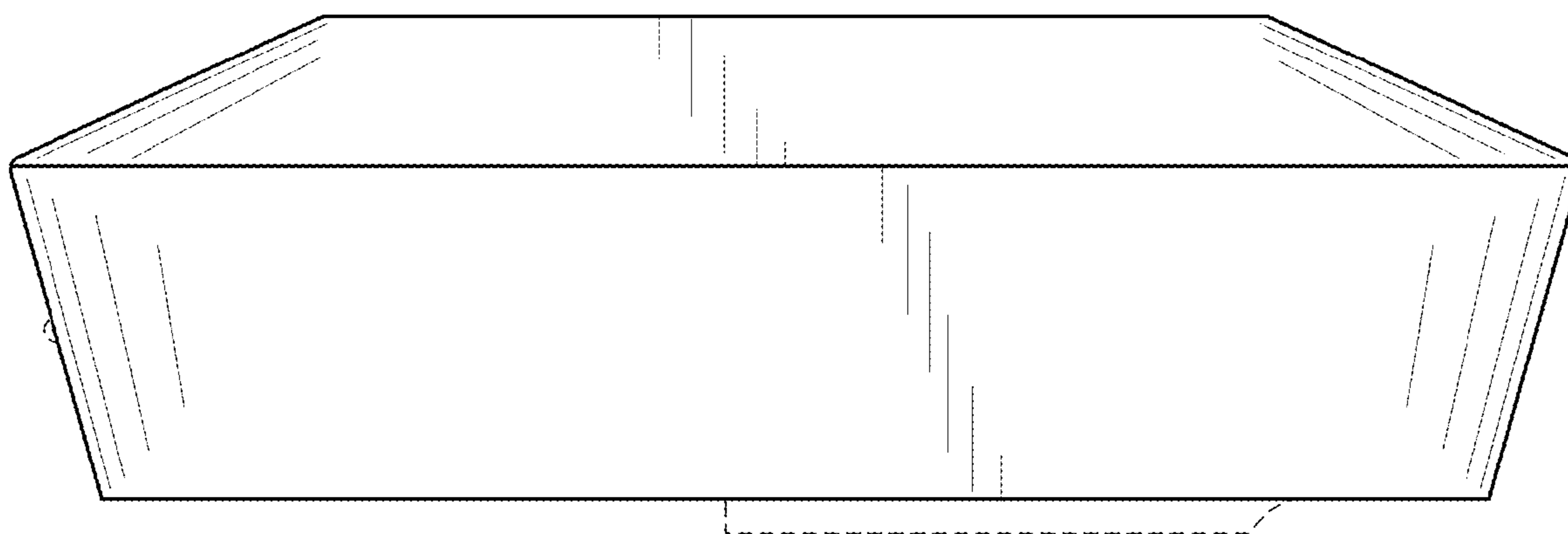


FIG. 2

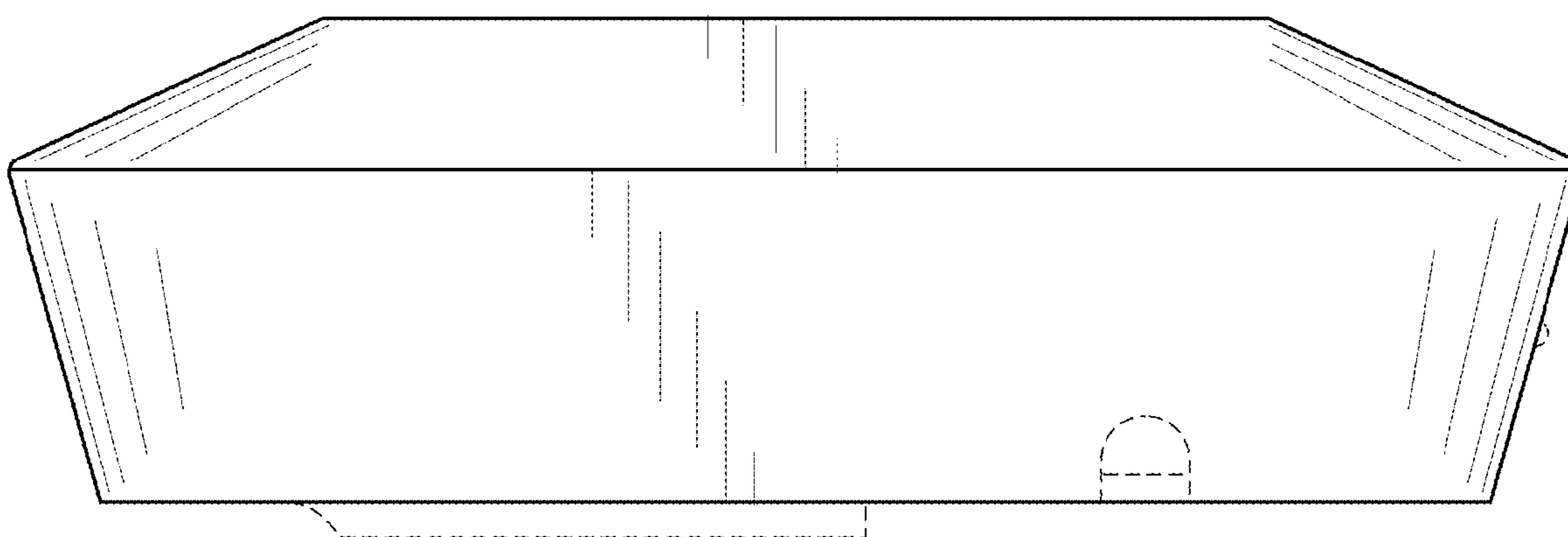


FIG. 3

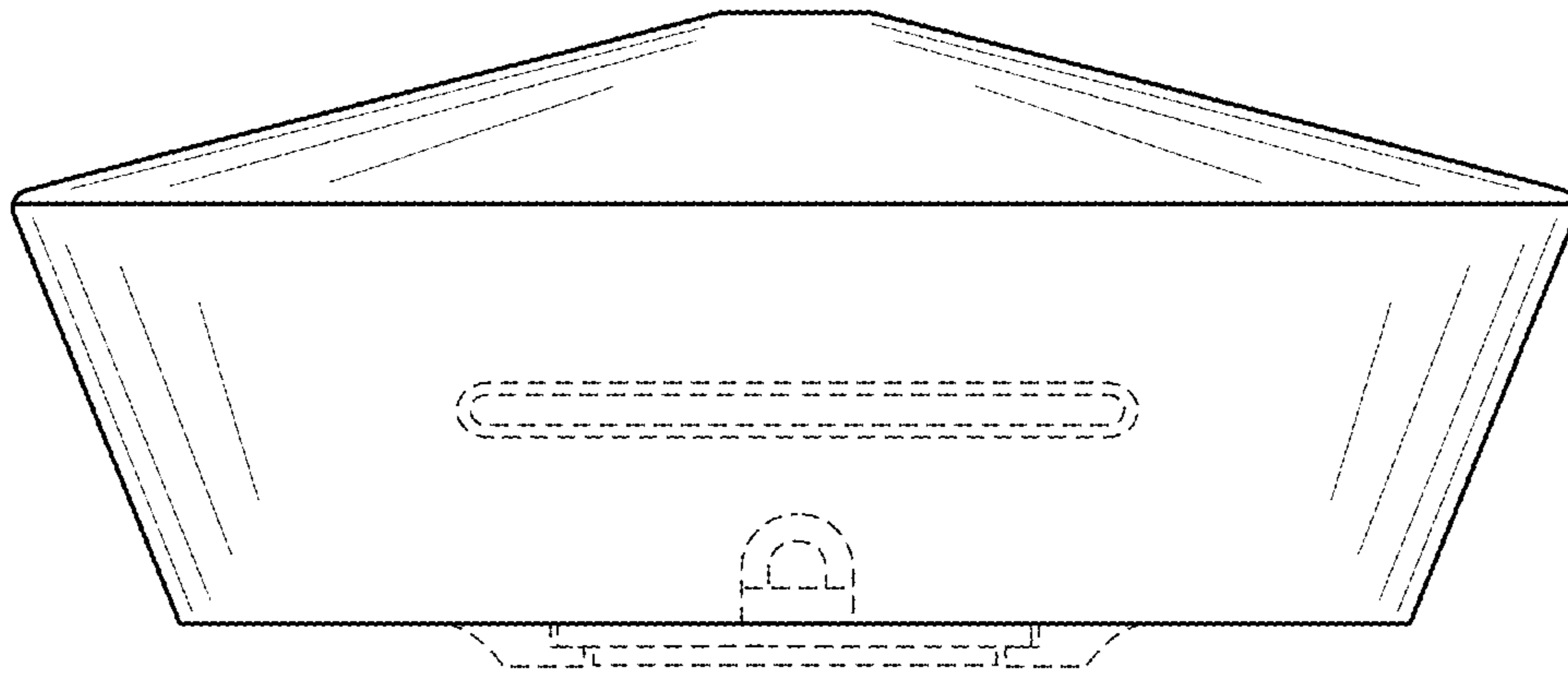


FIG. 4

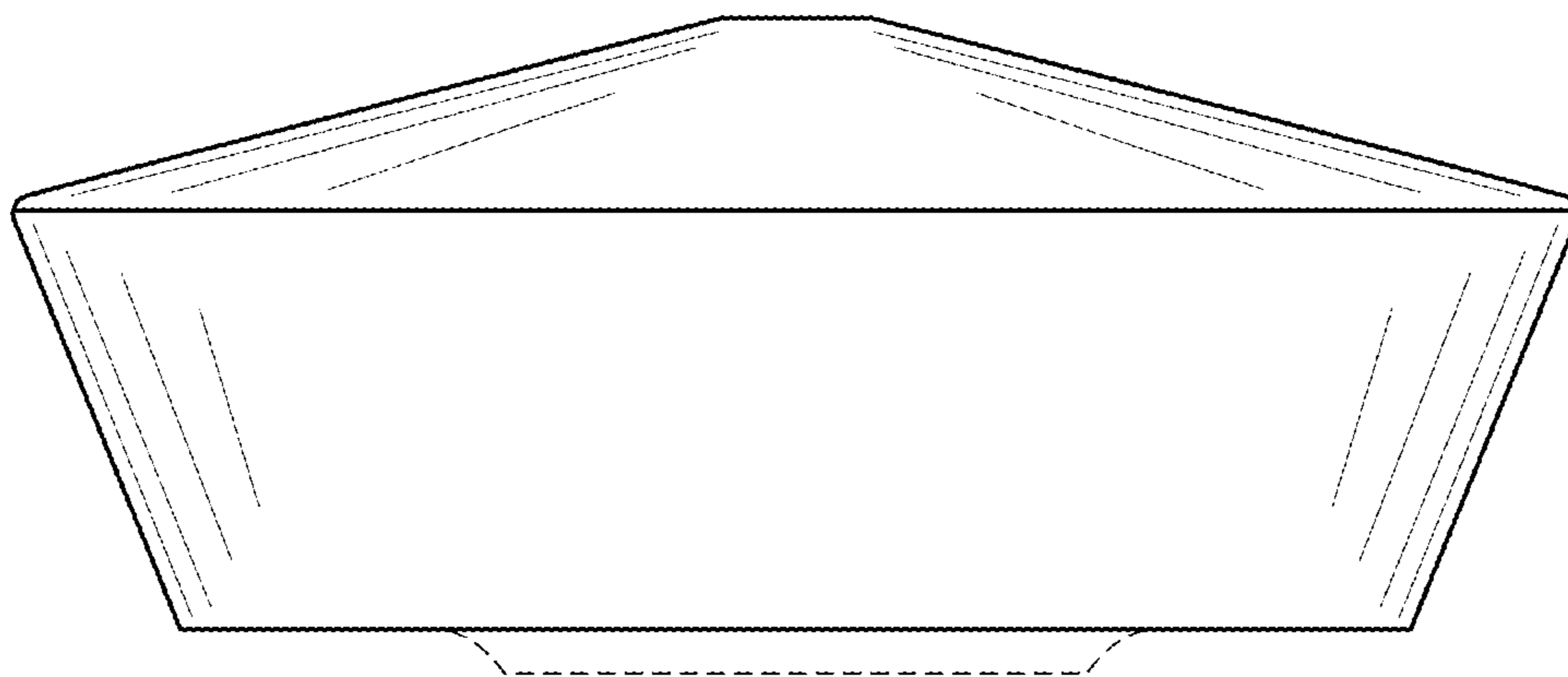


FIG. 5

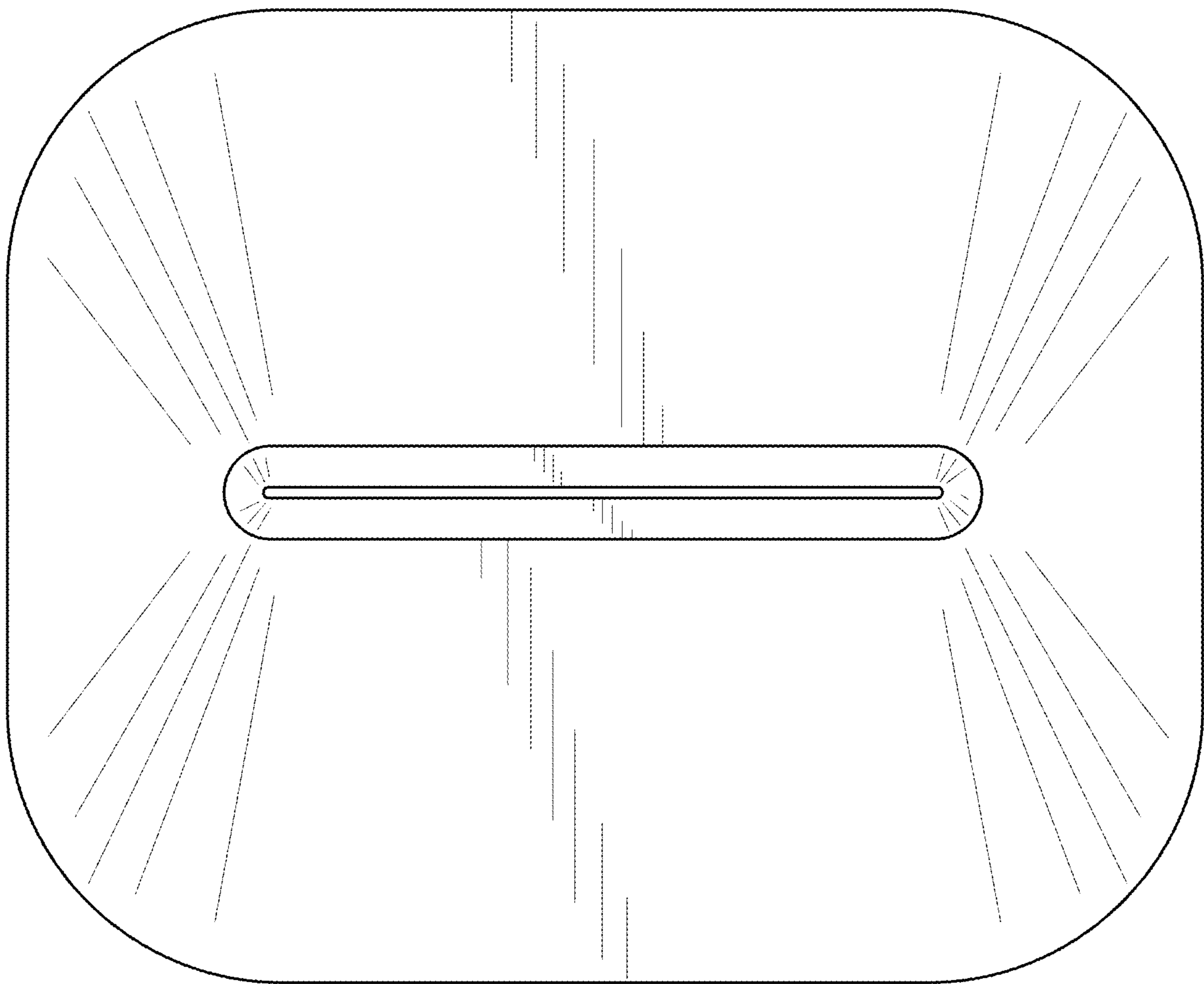


FIG. 6

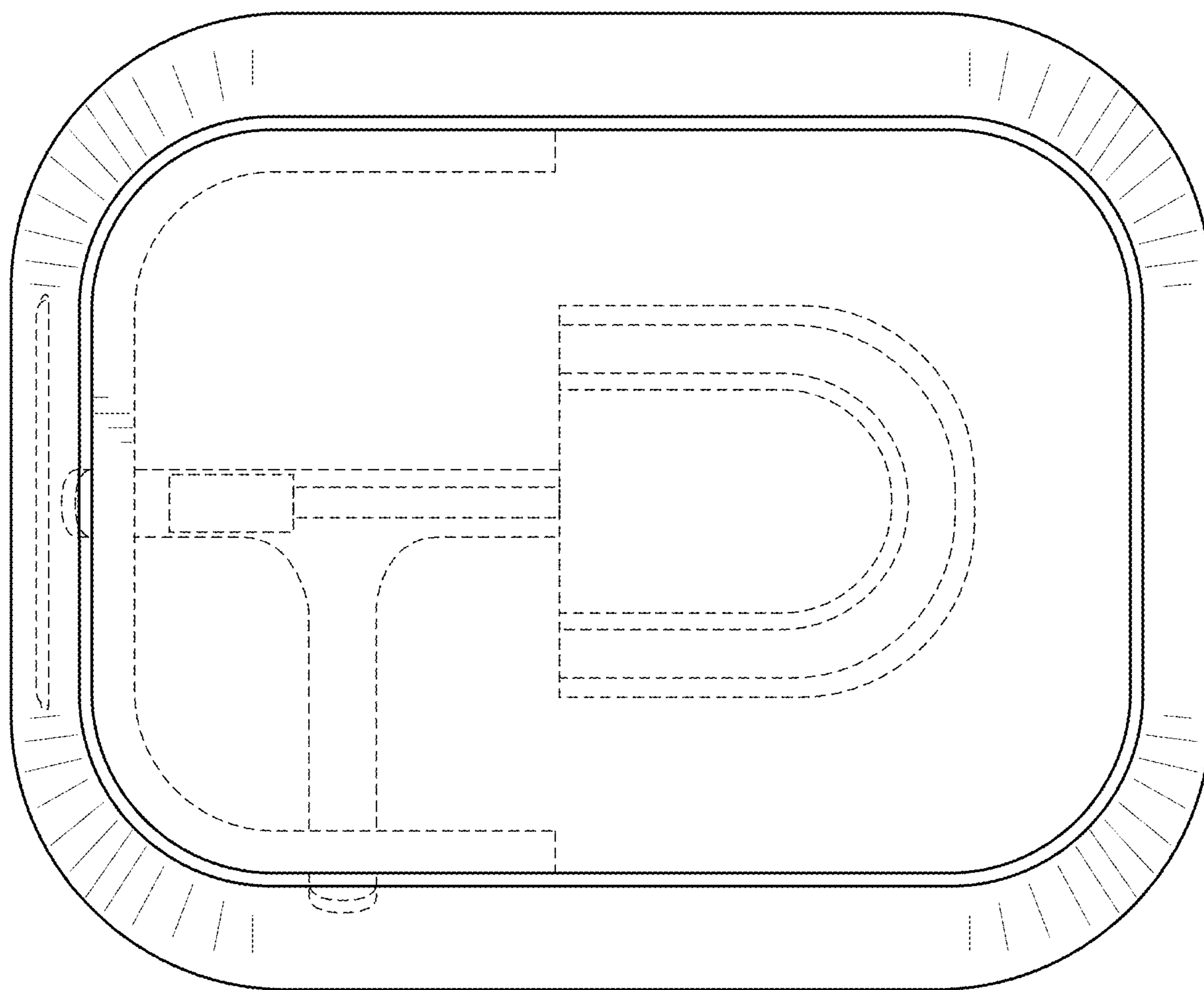


FIG. 7

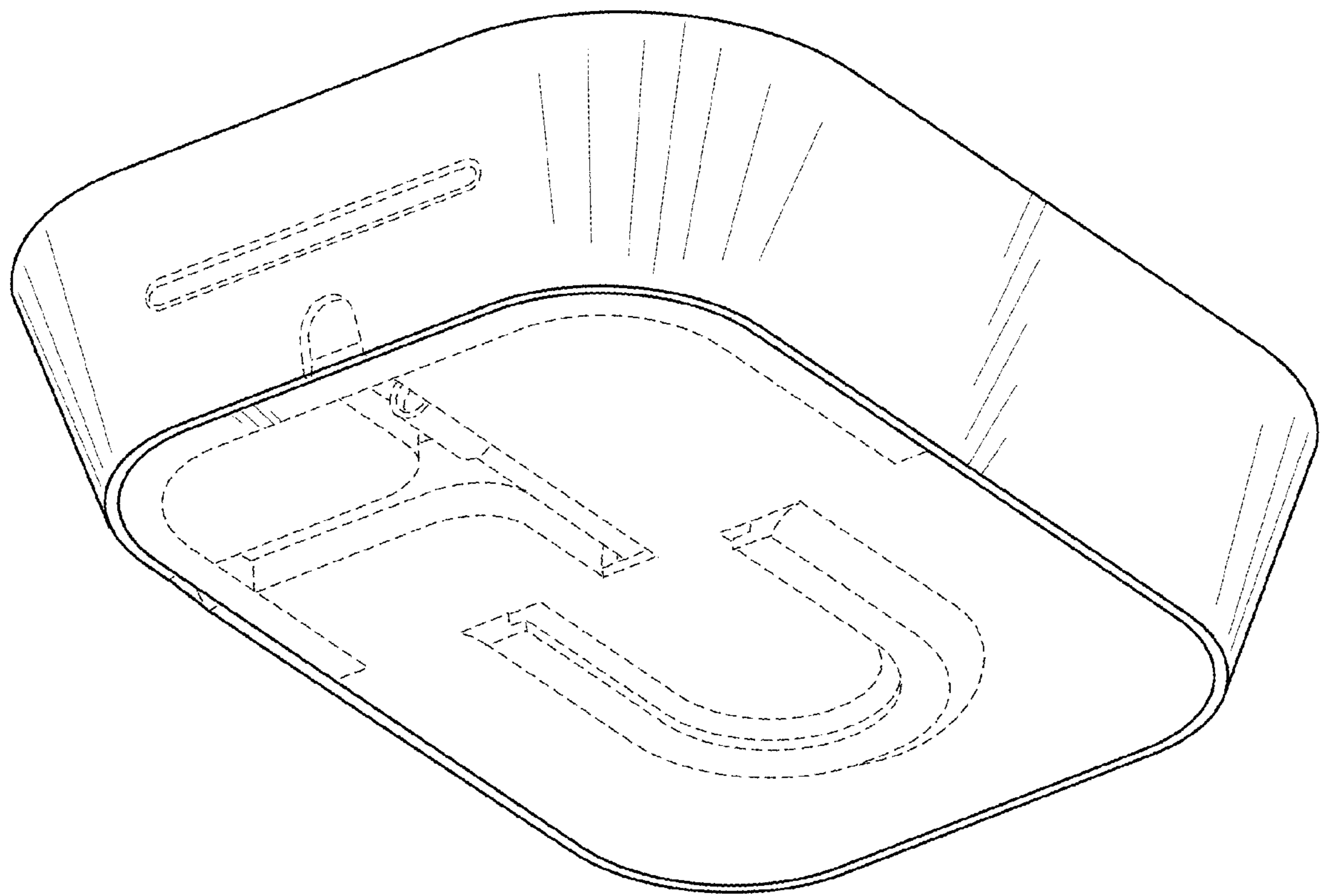


FIG. 8