



US00D886803S

(12) **United States Design Patent**
Cho et al.

(10) **Patent No.:** **US D886,803 S**
(45) **Date of Patent:** **** Jun. 9, 2020**

(54) **COMBINED WIRELESS EARPHONE AND MICROPHONE**

D262,286 S * 12/1981 Austin D14/225
D474,178 S * 5/2003 Eroma D14/205
D495,685 S * 9/2004 Hirano D14/223
D518,816 S * 4/2006 Naito D14/205

(71) Applicant: **LG ELECTRONICS INC.**, Seoul (KR)

(Continued)

(72) Inventors: **Seihyun Cho**, Seoul (KR); **Minjung Koh**, Seoul (KR); **Hyunju Kim**, Seoul (KR); **Goeun Lee**, Seoul (KR); **Chulbae Lee**, Seoul (KR)

Primary Examiner — George D. Kirschbaum

Assistant Examiner — L. A. Grabenstetter

(74) *Attorney, Agent, or Firm* — Birch, Stewart, Kolasch & Birch, LLP

(73) Assignee: **LG Electronics Inc.**, Seoul (KR)

(57) **CLAIM**

(**) Term: **15 Years**

The ornamental design for a combined wireless earphone and microphone, as shown and described.

(21) Appl. No.: **35/506,184**

DESCRIPTION

(22) Filed: **Jun. 4, 2018**

(80) **Hague Agreement Data**

Int. Filing Date: **Jun. 4, 2018**

Int. Reg. No.: **DM/103194**

Int. Reg. Date: **Jun. 4, 2018**

Int. Reg. Pub. Date: **Dec. 7, 2018**

1. Combined wireless earphone and microphone

1.1 : Front Perspective

1.2 : Front

1.3 : Back

1.4 : Left

1.5 : Right

1.6 : Top

1.7 : Bottom

1.8 : Back Perspective

1.9 : Back 2, shown extended

1.10 : Front Perspective 2, shown in use

(30) **Foreign Application Priority Data**

Dec. 5, 2017 (KR) 30-2017-0057372

(51) **LOC (12) Cl.** **14-03**

(52) **U.S. Cl.**
USPC **D14/223**; D14/206; D14/344

(58) **Field of Classification Search**
USPC D14/147, 205, 206, 223, 226, 229, 240,
D14/249, 344, 372, 192, 217, 221, 225;
D24/174

CPC H04R 1/1008; H04R 1/1016
See application file for complete search history.

Reproduction 1.1 is a front perspective view of a combined wireless earphone and microphone; reproduction 1.2 is a front view thereof; reproduction 1.3 is a back view thereof; reproduction 1.4 is a left view thereof; reproduction 1.5 is a right view thereof; reproduction 1.6 is a top view thereof; reproduction 1.7 is a bottom view thereof; reproduction 1.8 is a back perspective view thereof; reproduction 1.9 is another back view thereof, shown extended; and reproduction 1.10 is another front perspective view thereof showing an example of the usage thereof.

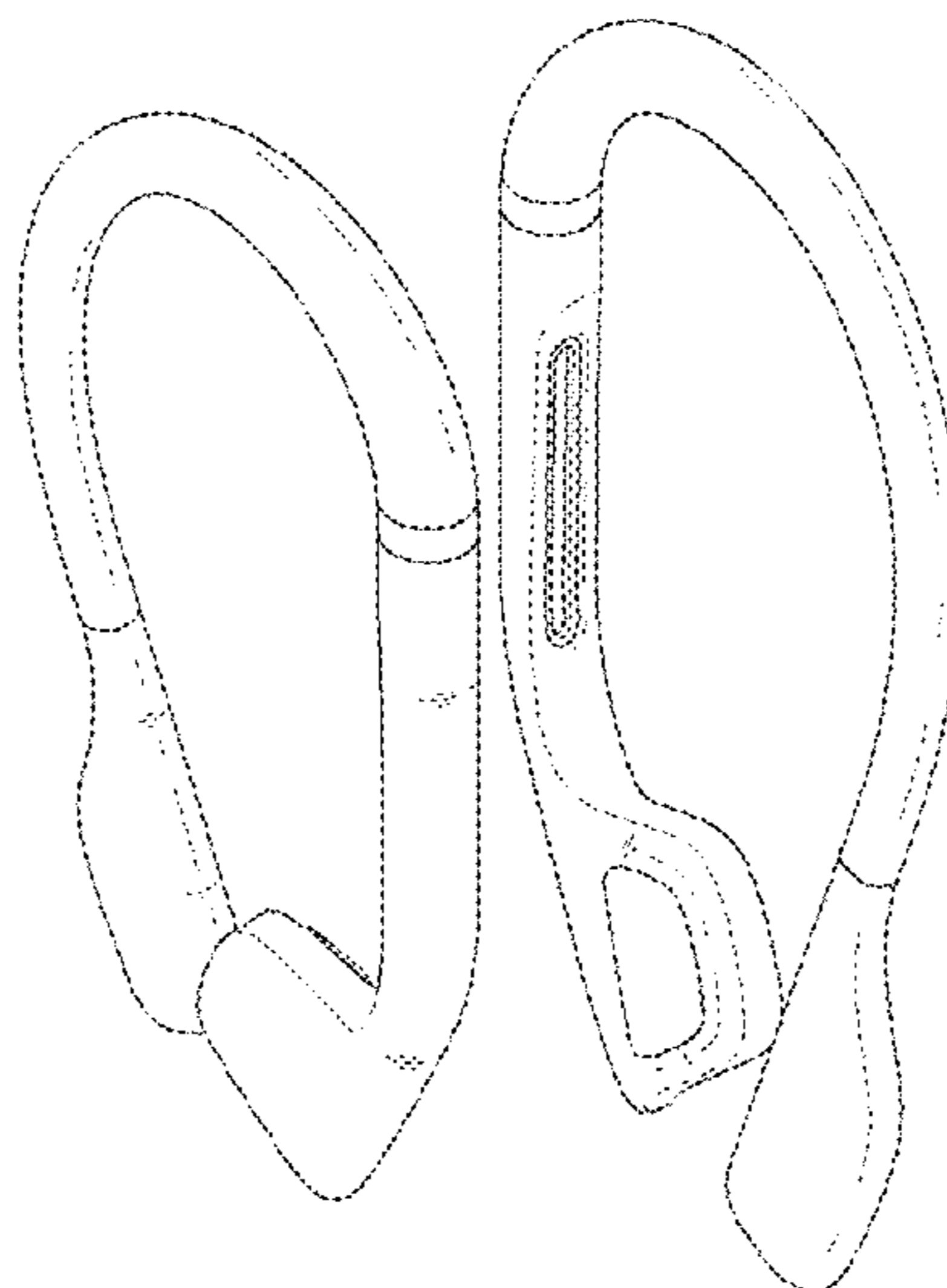
The broken lines depicting a human head in Figure 1.10 represent environment which forms no part of the claimed design.

(56) **References Cited**

U.S. PATENT DOCUMENTS

D174,053 S * 2/1955 Norris D14/192
D180,694 S * 7/1957 Norris D14/192

1 Claim, 10 Drawing Sheets



(56)

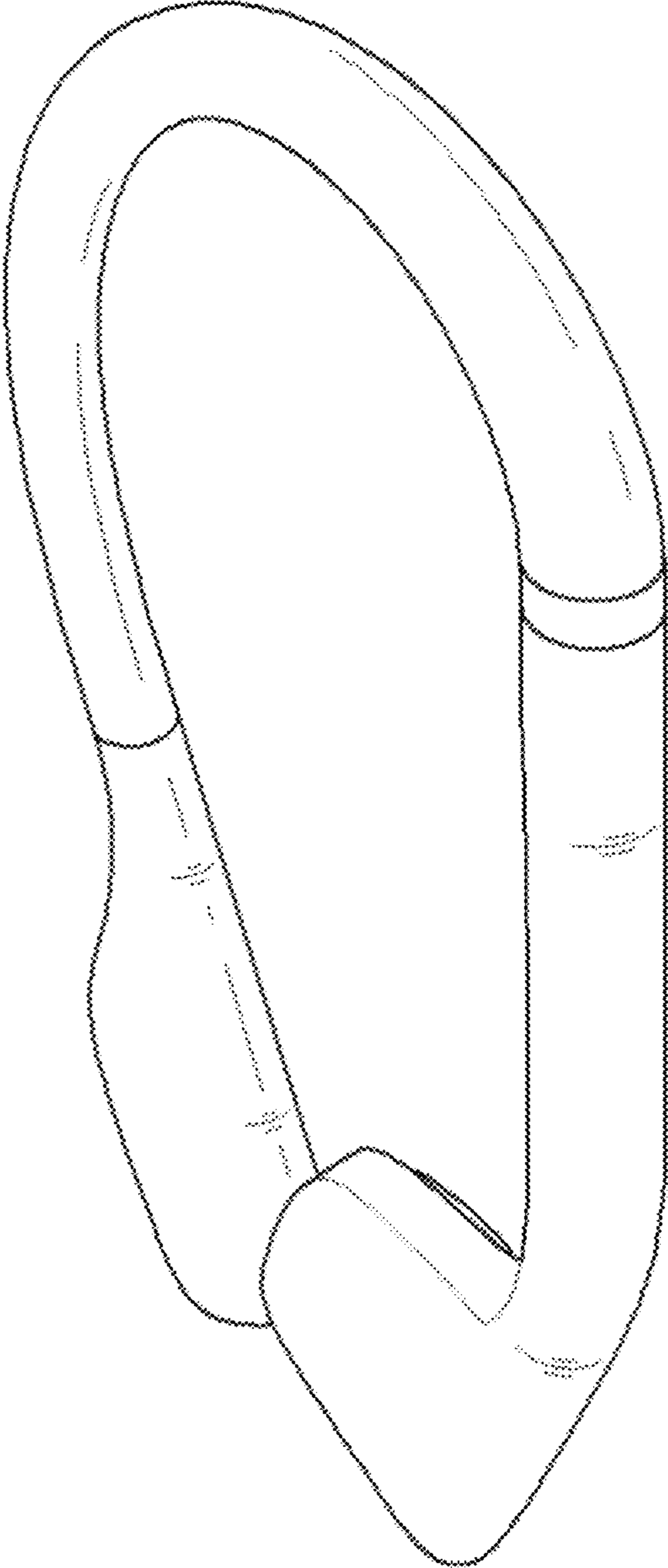
References Cited

U.S. PATENT DOCUMENTS

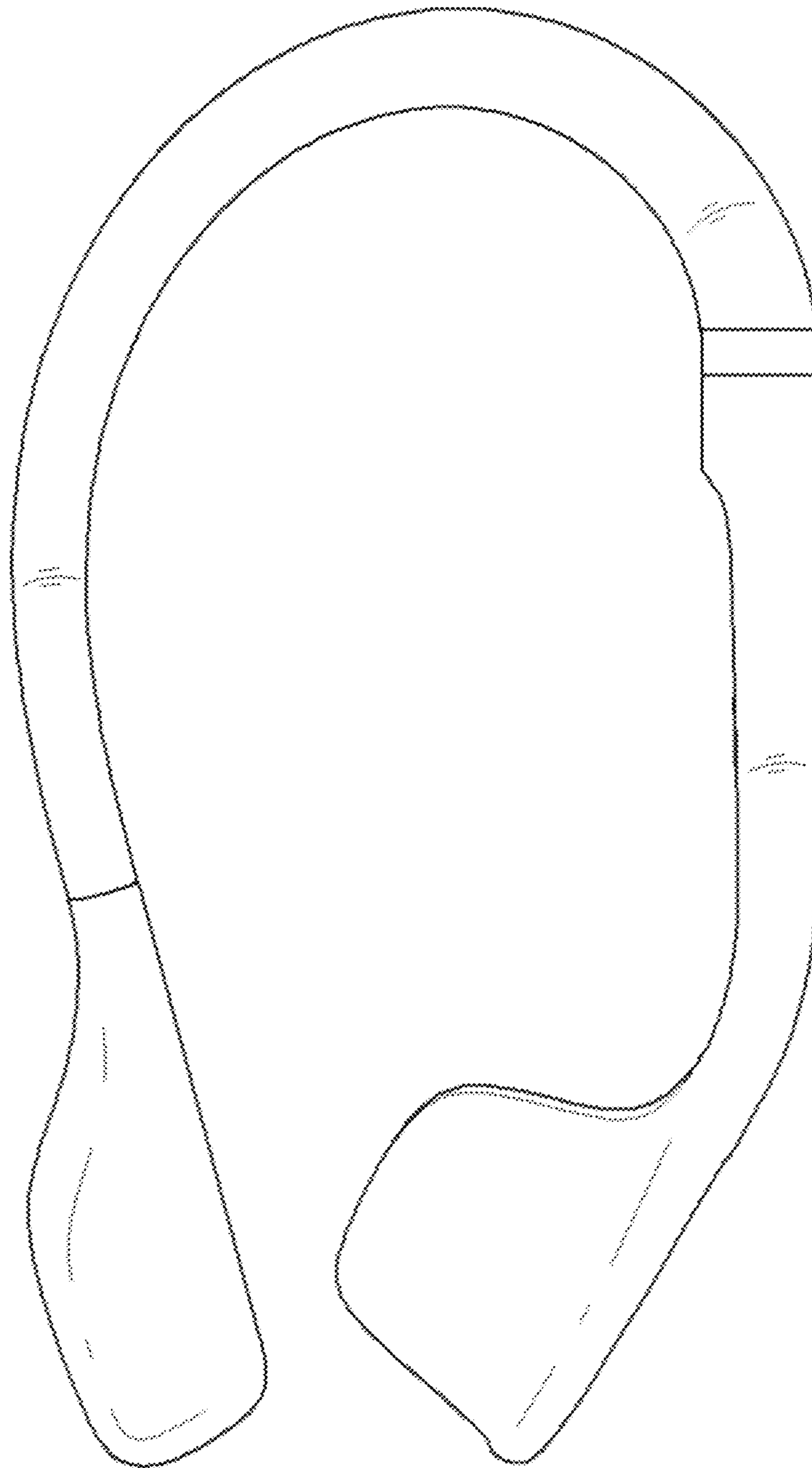
D537,815 S *	3/2007	Bentley	D14/206
D625,297 S *	10/2010	Tseng	D14/223
D635,960 S *	4/2011	Gondo	D14/223
D657,347 S *	4/2012	Chung	D14/206
D710,355 S *	8/2014	Brandt	D14/372
D743,946 S *	11/2015	Brunner	D14/223
D761,770 S *	7/2016	Kanou	D14/206
D771,587 S *	11/2016	Iwane	D14/205
D775,610 S *	1/2017	Nakajima	D14/223
D781,822 S *	3/2017	Morris	D14/223
D789,331 S *	6/2017	Paterson	D14/225
D791,100 S *	7/2017	Chen	D14/205
D802,558 S *	11/2017	Kim	D14/205
D806,684 S *	1/2018	Tsai	D14/223
D807,331 S *	1/2018	Morimoto	D14/223
D809,486 S *	2/2018	Arimoto	D14/223
D830,338 S *	10/2018	Yan	D14/206
D832,817 S *	11/2018	Park	D14/205
D834,003 S *	11/2018	Maeda	D14/223

* cited by examiner

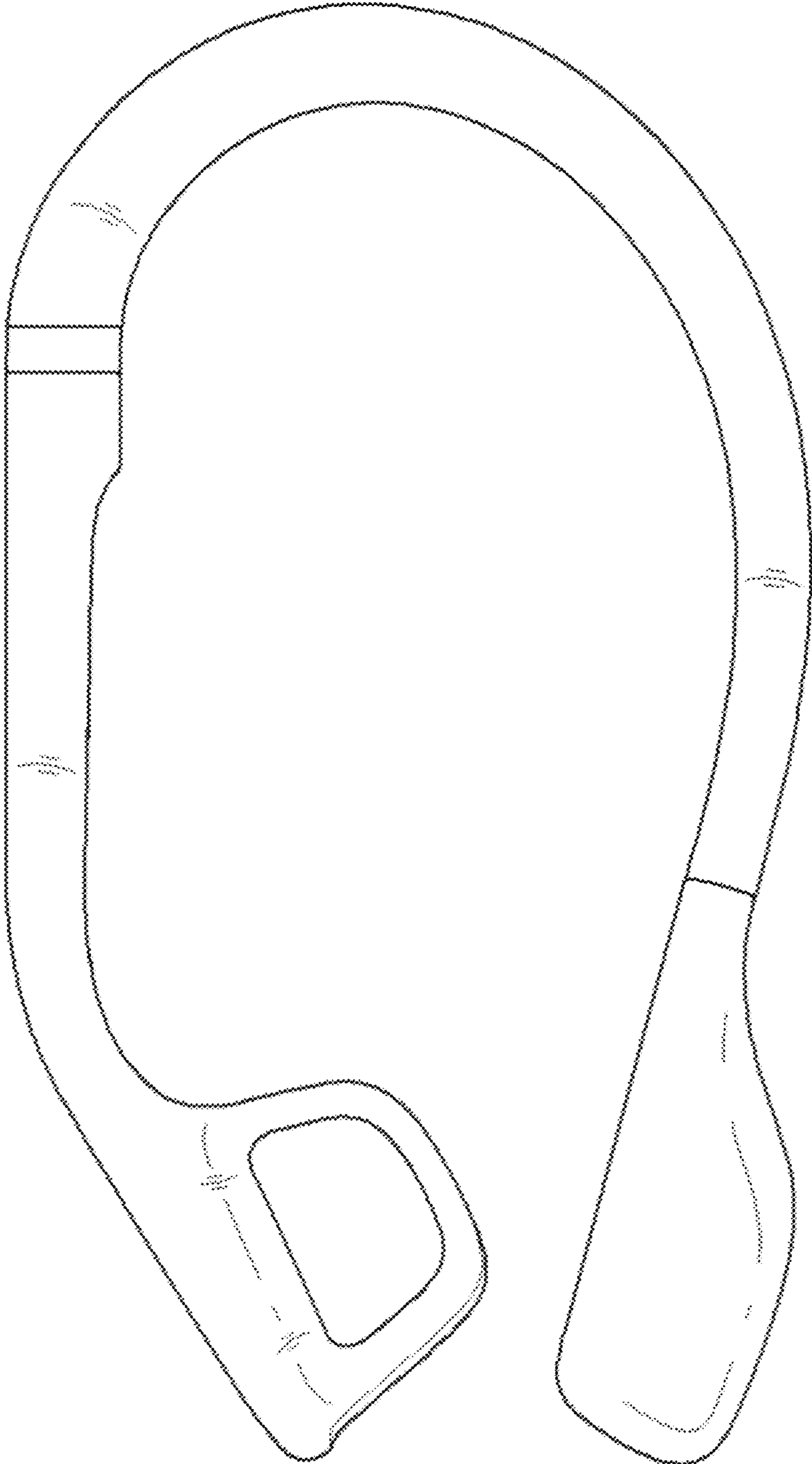
1.1



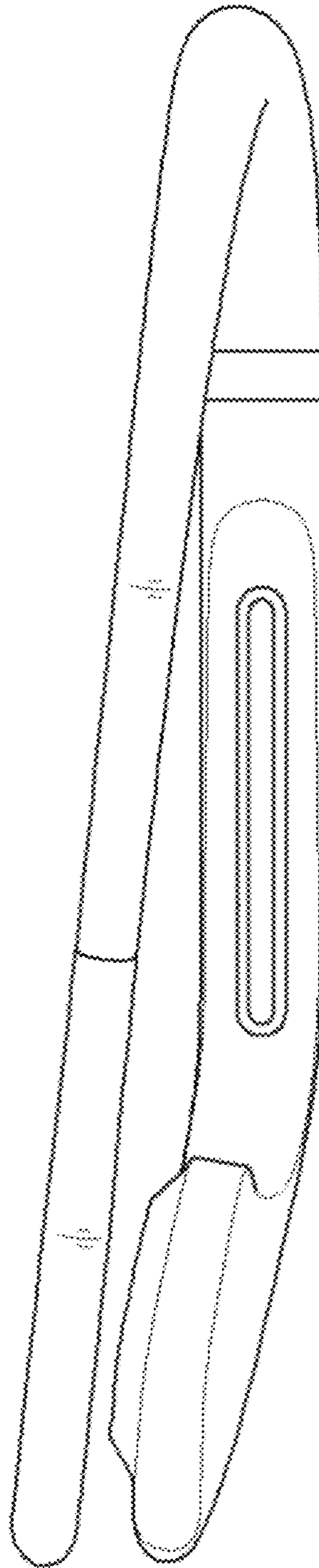
1.2



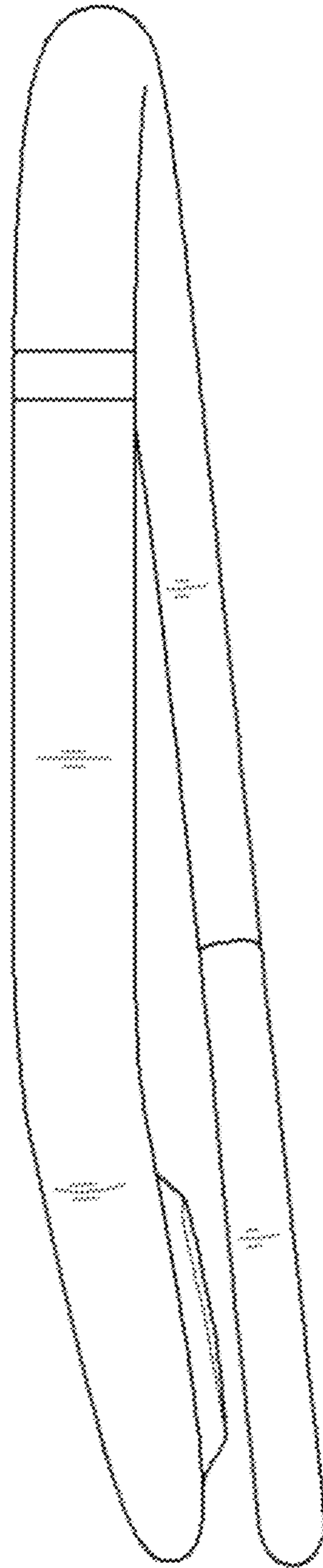
1.3



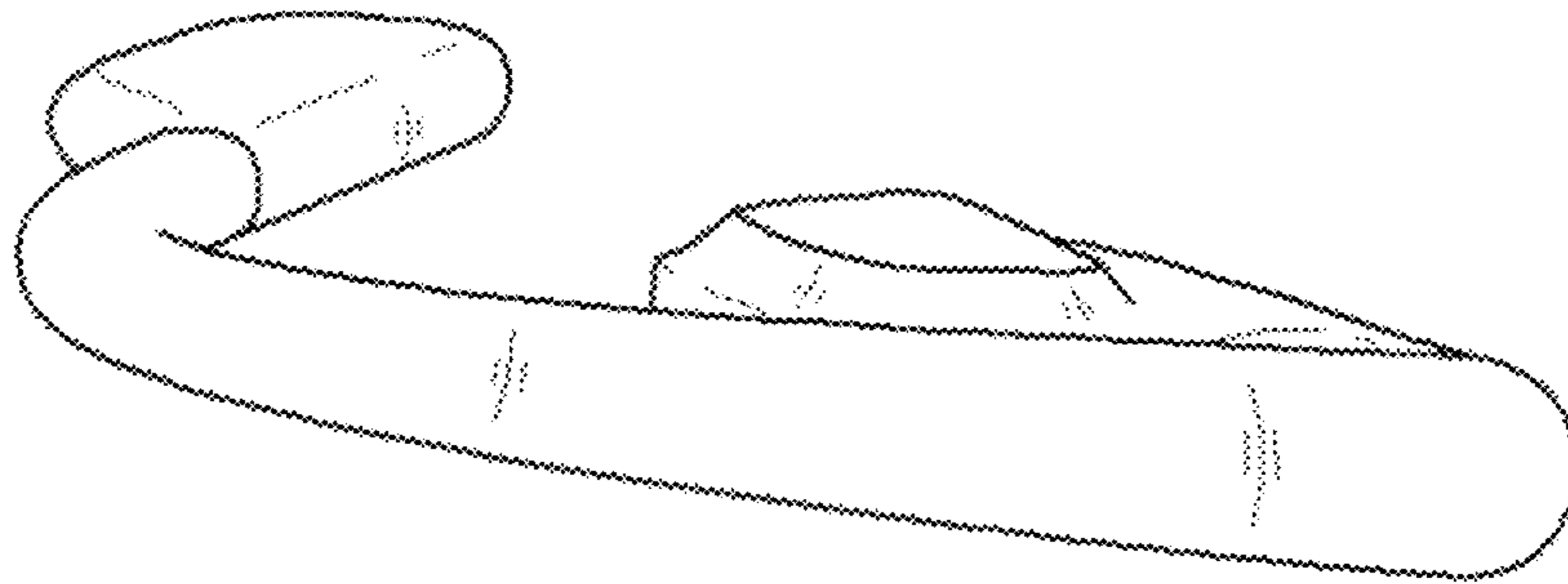
1.4



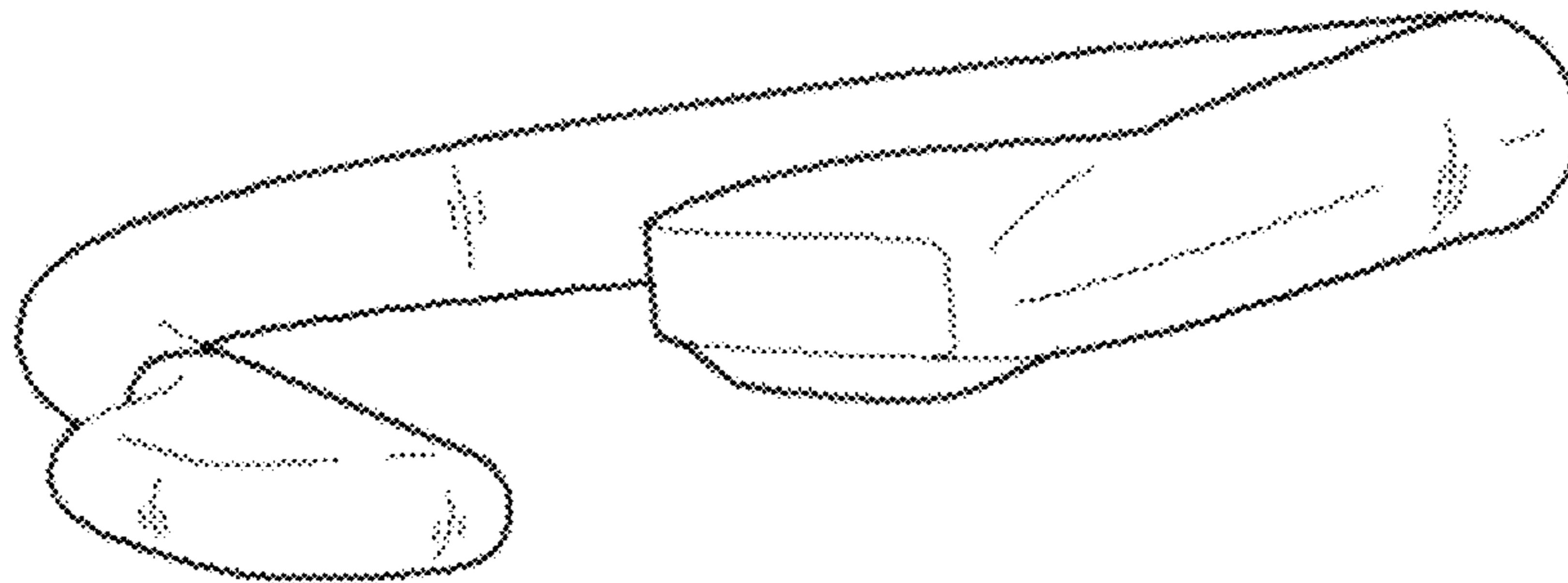
1.5



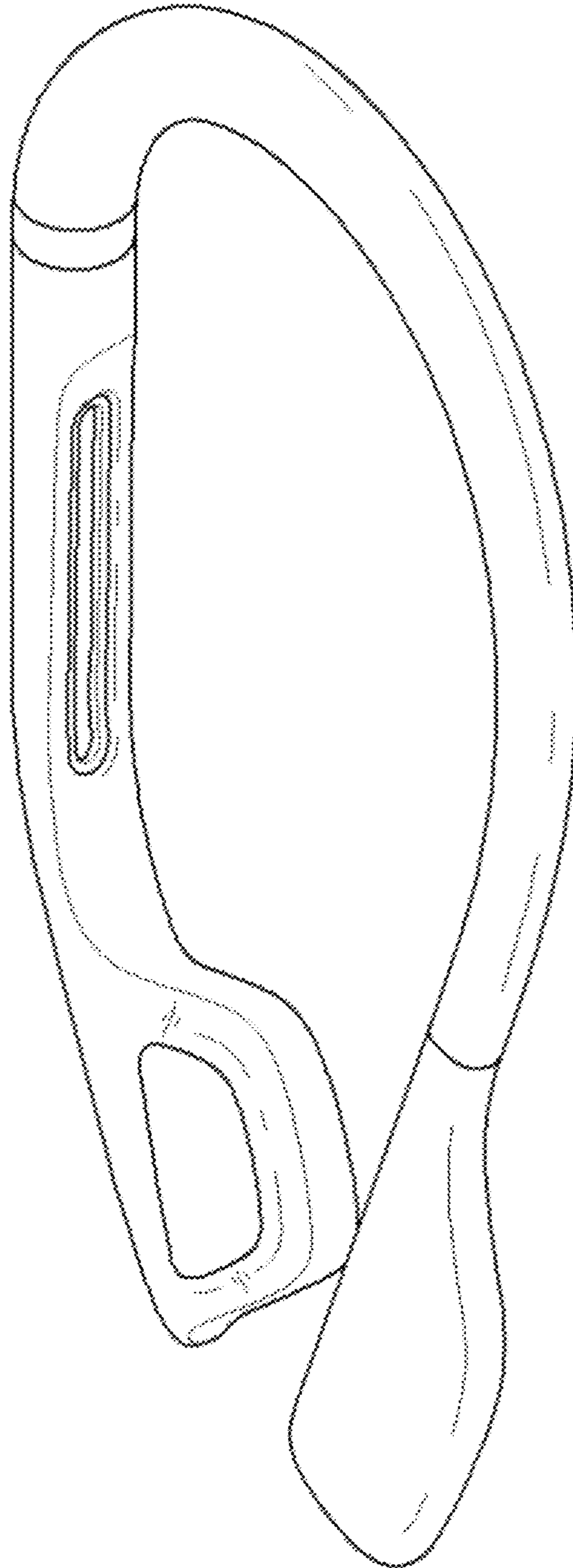
1.6



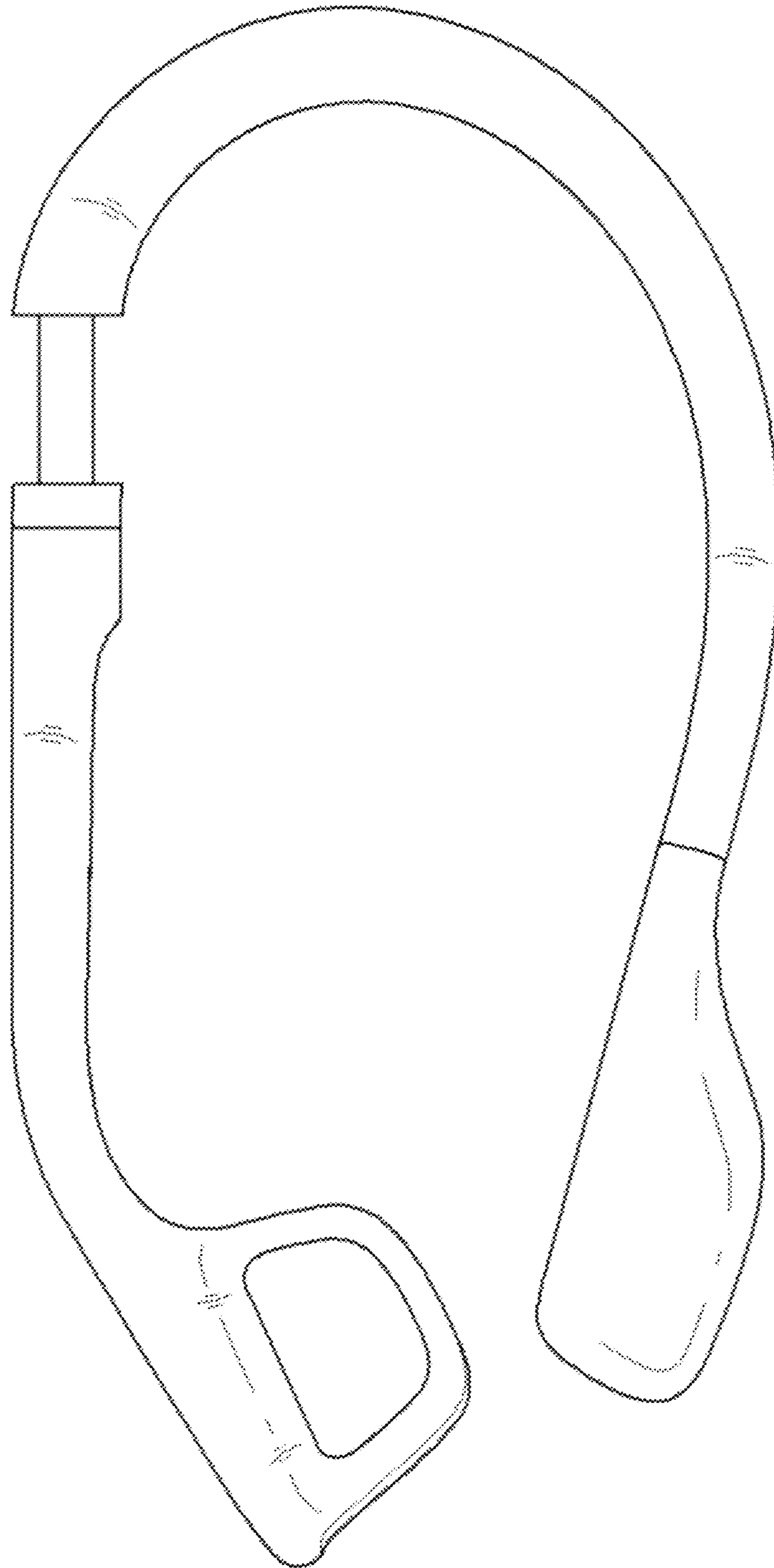
1.7



1.8



1.9



1.10

