



US00D886799S

(12) **United States Design Patent** (10) **Patent No.:** **US D886,799 S**
Yang et al. (45) **Date of Patent:** **** Jun. 9, 2020**

(54) **LOUDSPEAKER**
(71) Applicant: **Harman International Industries, Incorporated**, Northridge, CA (US)
(72) Inventors: **Bochao Yang**, Shenzhen (CN); **Rafal Czaniecki**, Shenzhen (CN)
(73) Assignee: **Harman International Industries, Incorporated**, Northridge, CA (US)
(**) Term: **15 Years**
(21) Appl. No.: **29/639,416**
(22) Filed: **Mar. 6, 2018**

D658,160 S * 4/2012 Janky D14/214
D671,659 S 11/2012 Clayton
D672,747 S * 12/2012 Khoo D14/214
D681,606 S 5/2013 Nishii et al.
D712,952 S 9/2014 Sumii et al.
D718,335 S 11/2014 Lee et al.
D741,278 S * 10/2015 Kang D14/126
D742,855 S 11/2015 Carbone et al.
D743,373 S * 11/2015 Kim D14/210
D743,940 S 11/2015 Yang et al.
D750,596 S * 3/2016 Li D14/216
D756,961 S 5/2016 White et al.
D756,962 S 5/2016 White et al.
D756,963 S 5/2016 White et al.
D756,964 S 5/2016 White et al.
D757,686 S 5/2016 White et al.

(Continued)

Related U.S. Application Data

(62) Division of application No. 29/589,281, filed on Dec. 29, 2016, now Pat. No. Des. 845,269.
(51) **LOC (12) Cl.** **14-01**
(52) **U.S. Cl.**
USPC **D14/214; D14/204**
(58) **Field of Classification Search**
USPC D14/167, 188, 204, 209.1, 210–215, 348, D14/352, 498–505; 181/143, 144, 148, 181/153, 157, 198, 199; 369/6–12; 381/300–303, 361–364, 366, 386–388
CPC H04R 1/02; H04R 1/021; H04R 1/023; H04R 5/00; H04R 9/06; H04R 2420/07
See application file for complete search history.

References Cited

U.S. PATENT DOCUMENTS

D267,514 S 1/1983 Leung
D347,225 S * 5/1994 Lowy D14/204
D484,252 S 12/2003 Hughes et al.
D485,255 S * 1/2004 Christiansen D14/207
D597,529 S 8/2009 Tan et al.
D618,213 S 6/2010 Goh et al.
D641,338 S 7/2011 Chen

OTHER PUBLICATIONS

Office Action dated Apr. 25, 2018 in Design U.S. Appl. No. 29/589,281.

Primary Examiner — Janice Patyk
(74) *Attorney, Agent, or Firm* — Plumsea Law Group, LLC

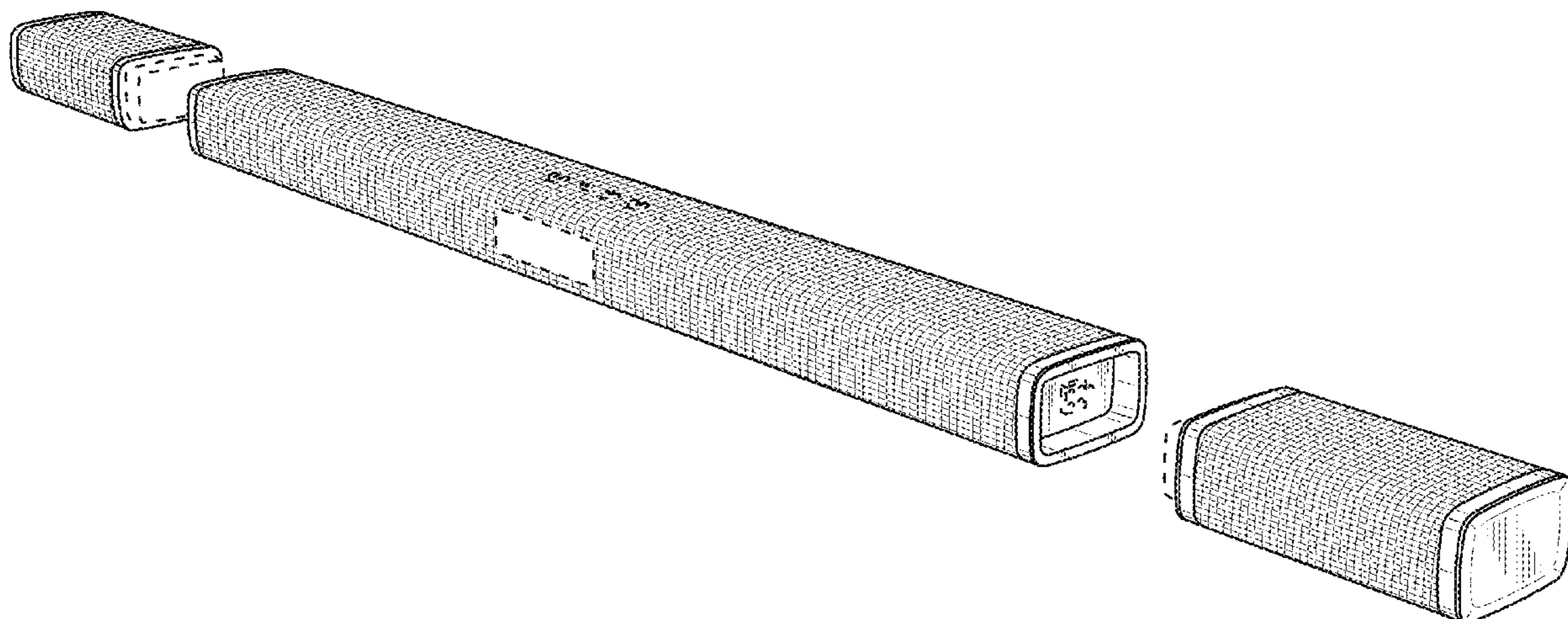
CLAIM

(57) The ornamental design for a loudspeaker, as shown and described.

DESCRIPTION

FIG. 1 is a top perspective view of a loudspeaker showing the new design;
FIG. 2 is a front elevational view thereof;
FIG. 3 is a rear elevational view thereof;
FIG. 4 is a side elevational view thereof;
FIG. 5 is an opposite side elevational view thereof;
FIG. 6 is a top plan view thereof; and,
FIG. 7 is a bottom plan view thereof.
The broken lines in the figures illustrate the portions of the design that form no part of the claimed design.

1 Claim, 6 Drawing Sheets



(56)

References Cited

U.S. PATENT DOCUMENTS

D757,687 S 5/2016 White et al.
9,469,254 B1 10/2016 White et al.
D774,491 S * 12/2016 Kim D14/214
2012/0300962 A1 11/2012 Devoto

* cited by examiner

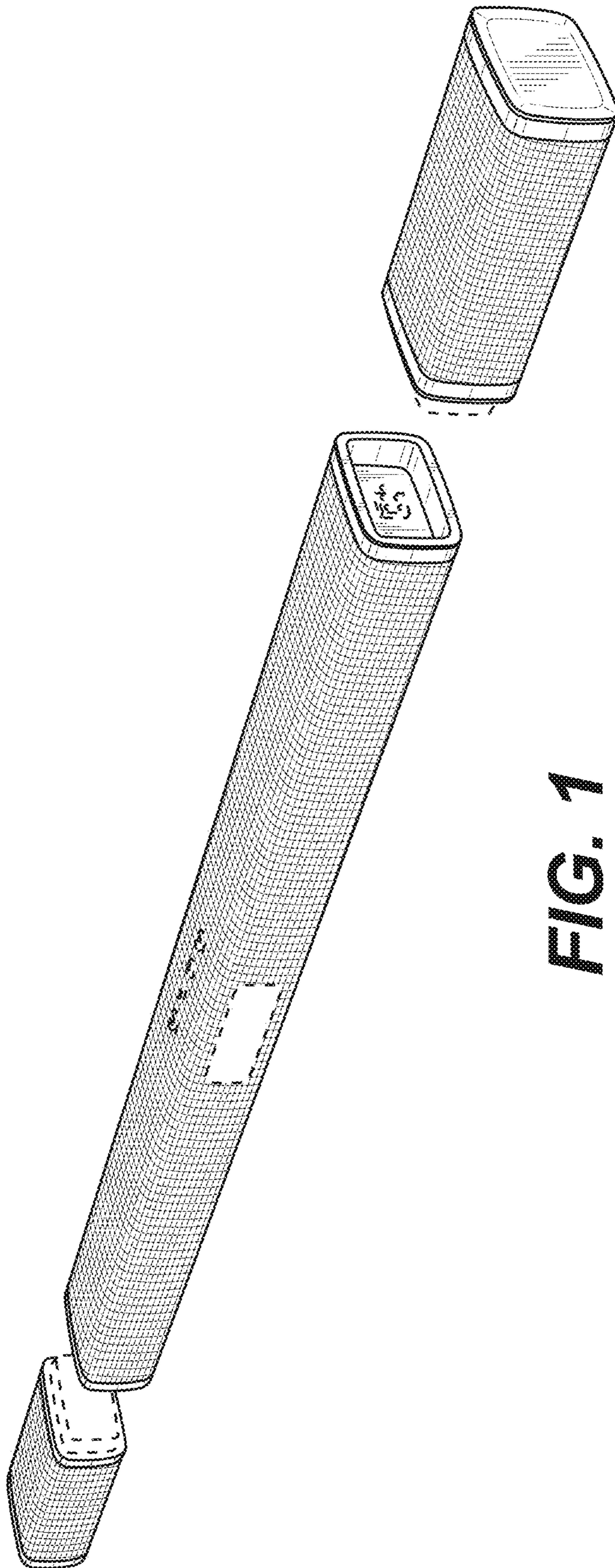


FIG. 1

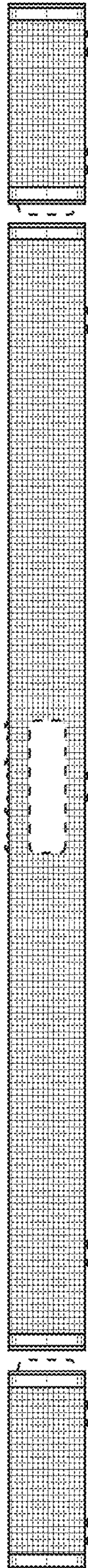


FIG. 2

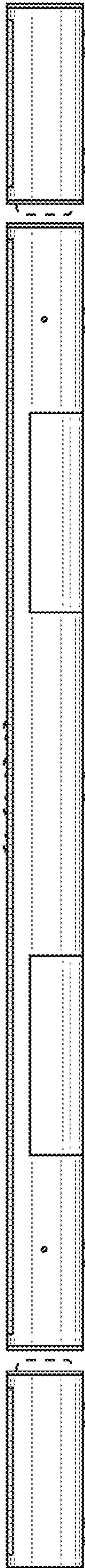


FIG. 3

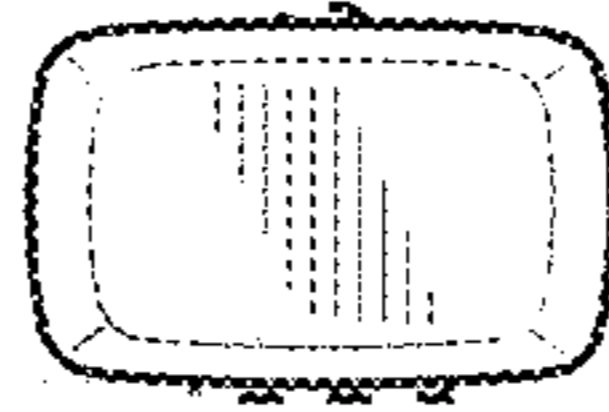


FIG. 4

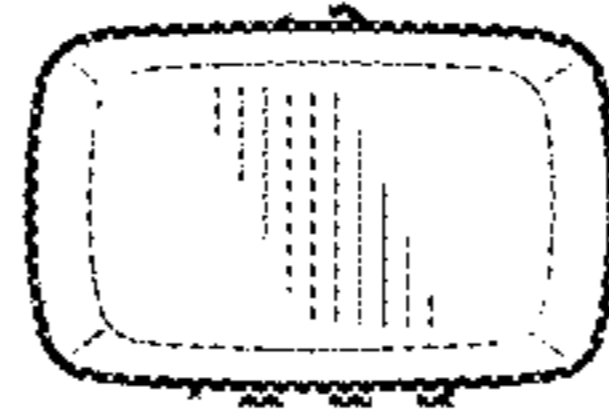


FIG. 5

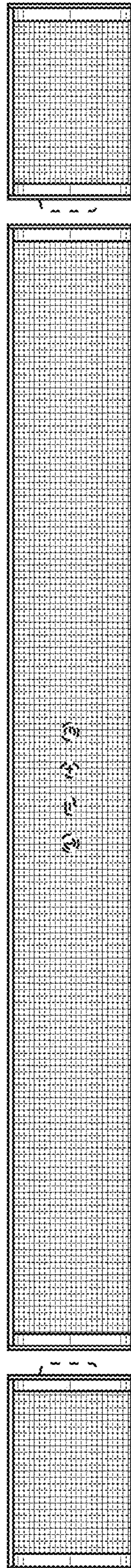


FIG. 6

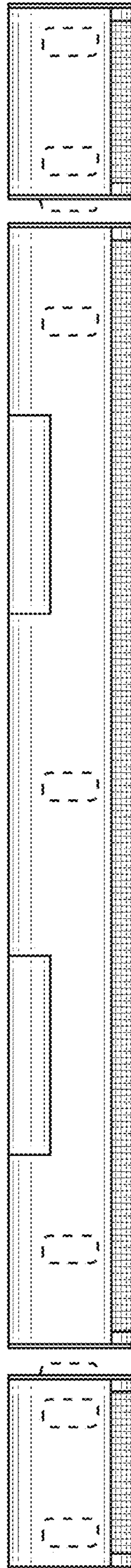


FIG. 7