



US00D886797S

(12) **United States Design Patent**
Wang

(10) **Patent No.:** **US D886,797 S**

(45) **Date of Patent:** **** Jun. 9, 2020**

(54) **LOUDSPEAKER**

(71) Applicant: **SHENZHEN ZUNTE DIGITAL CO., LTD.**, Shenzhen (CN)

(72) Inventor: **Xiaohuai Wang**, Hengyang (CN)

(73) Assignee: **SHENZHEN ZUNTE DIGITAL CO., LTD.**, Shenzhen (CN)

(**) Term: **15 Years**

(21) Appl. No.: **29/720,480**

(22) Filed: **Jan. 14, 2020**

(51) **LOC (12) Cl.** **14-01**

(52) **U.S. Cl.**
USPC **D14/204**

(58) **Field of Classification Search**
USPC D14/188, 204, 209.1, 210–215, 348, 349,
D14/352, 498–505; 181/143, 144, 148,
181/153, 157, 198, 199; 369/6–12;
381/300–303, 361–364, 366, 386–388
CPC H04R 1/02; H04R 1/021; H04R 1/025;
H04R 1/026; H04R 1/028; H04R 1/403;
H04R 1/2803; H04R 1/2834; H04R 5/02;
H04R 9/06; H04R 19/013; H04R 2400/00
See application file for complete search history.

(56) **References Cited**

U.S. PATENT DOCUMENTS

D485,543 S	1/2004	Allen	
D542,776 S *	5/2007	Dayan	D14/215
D560,684 S *	1/2008	Skurdal	D14/496
D568,872 S *	5/2008	Gonzalez	D14/214
D655,272 S *	3/2012	Kawase	D14/194

D711,354 S *	8/2014	Florczak	D14/215
D715,766 S *	10/2014	Osborn	D14/210
D718,741 S *	12/2014	Lui	D14/216
D726,142 S *	4/2015	Itoh	D14/196
D784,955 S	4/2017	Warden et al.	
D803,812 S	11/2017	Liu et al.	
D822,000 S *	7/2018	Lin	D14/214
D835,601 S *	12/2018	Cheney	D14/204

* cited by examiner

Primary Examiner — Janice Patyk

(57) **CLAIM**

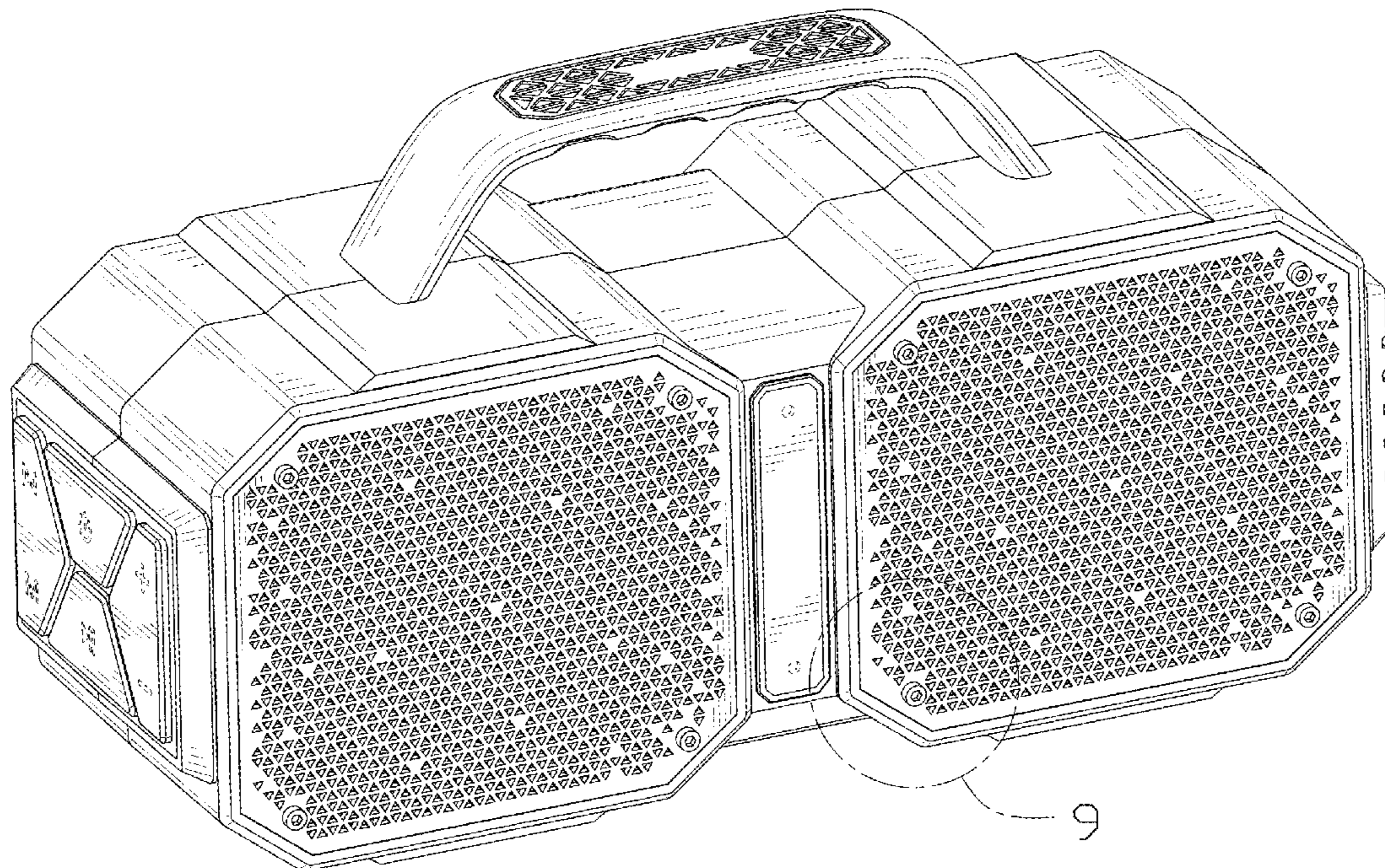
The ornamental design for a loudspeaker, as shown and described.

DESCRIPTION

FIG. 1 is a perspective view of a loudspeaker showing my new design;
FIG. 2 is another perspective view thereof;
FIG. 3 is a front elevational view thereof;
FIG. 4 is a rear elevational view thereof;
FIG. 5 is a left side elevational view thereof;
FIG. 6 is a right side elevational view thereof;
FIG. 7 is a top plan view thereof;
FIG. 8 is a bottom plan view thereof;
FIG. 9 is a partially enlarged view thereof, taken from FIG. 1; and,
FIG. 10 is a partially enlarged view thereof, taken from FIG. 2.

The broken lines in the drawings depict portions of the loudspeaker that form no part of the claimed design. The dot-dash broken lines of FIGS. 1, 2, 9, and 10 are included to show partially enlarged views only and form no part of the claimed design.

1 Claim, 10 Drawing Sheets



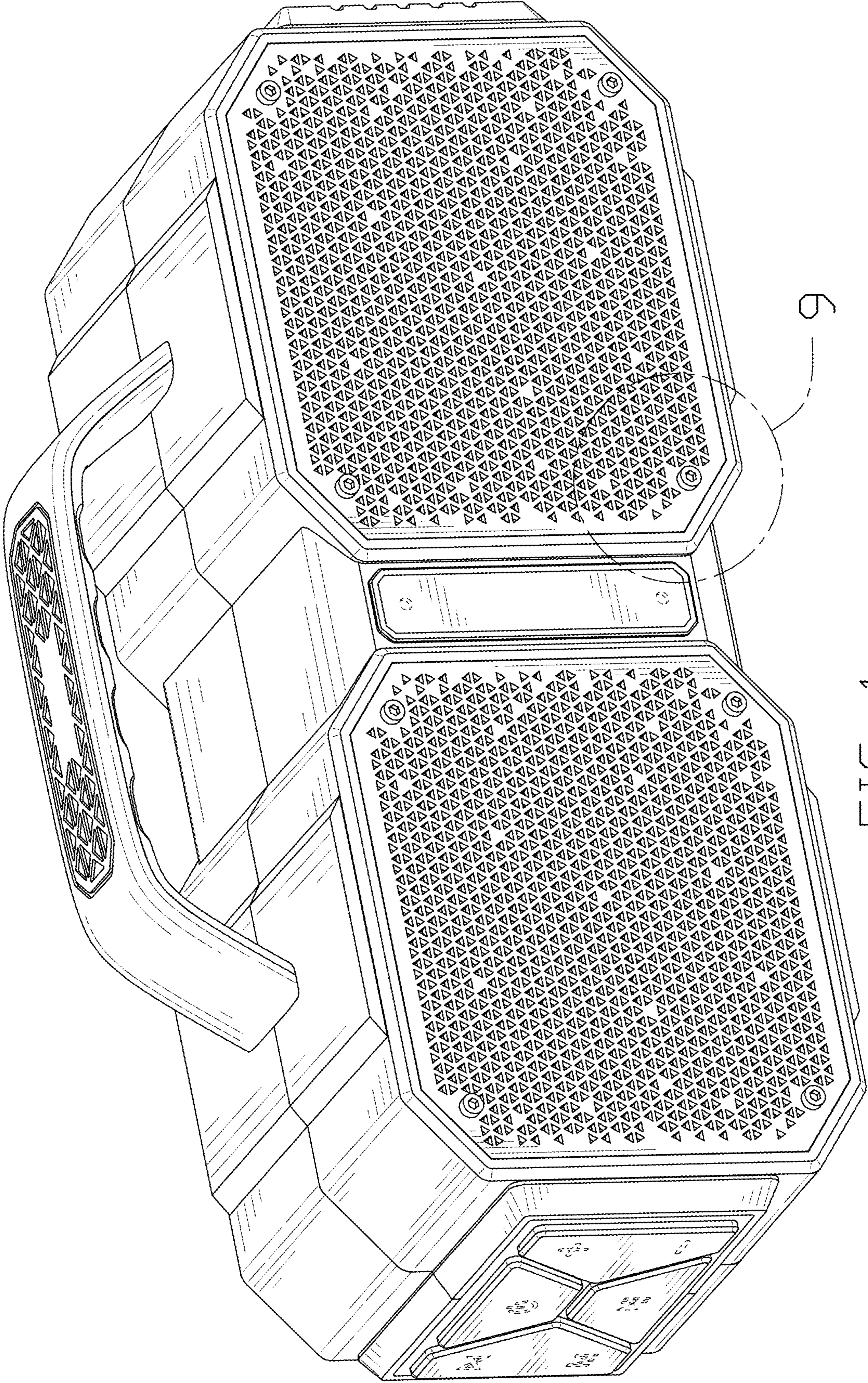


FIG. 1

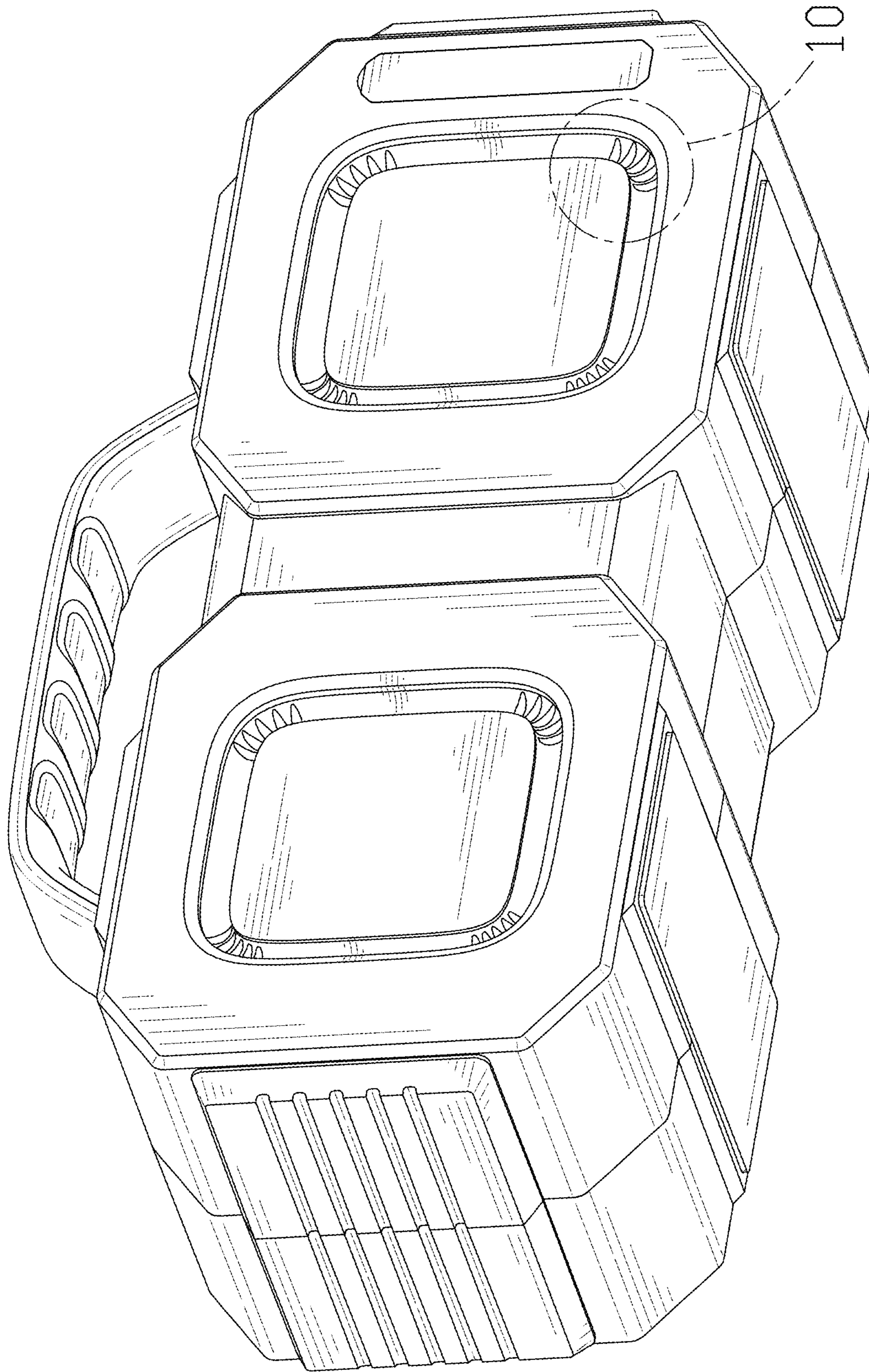


FIG. 2

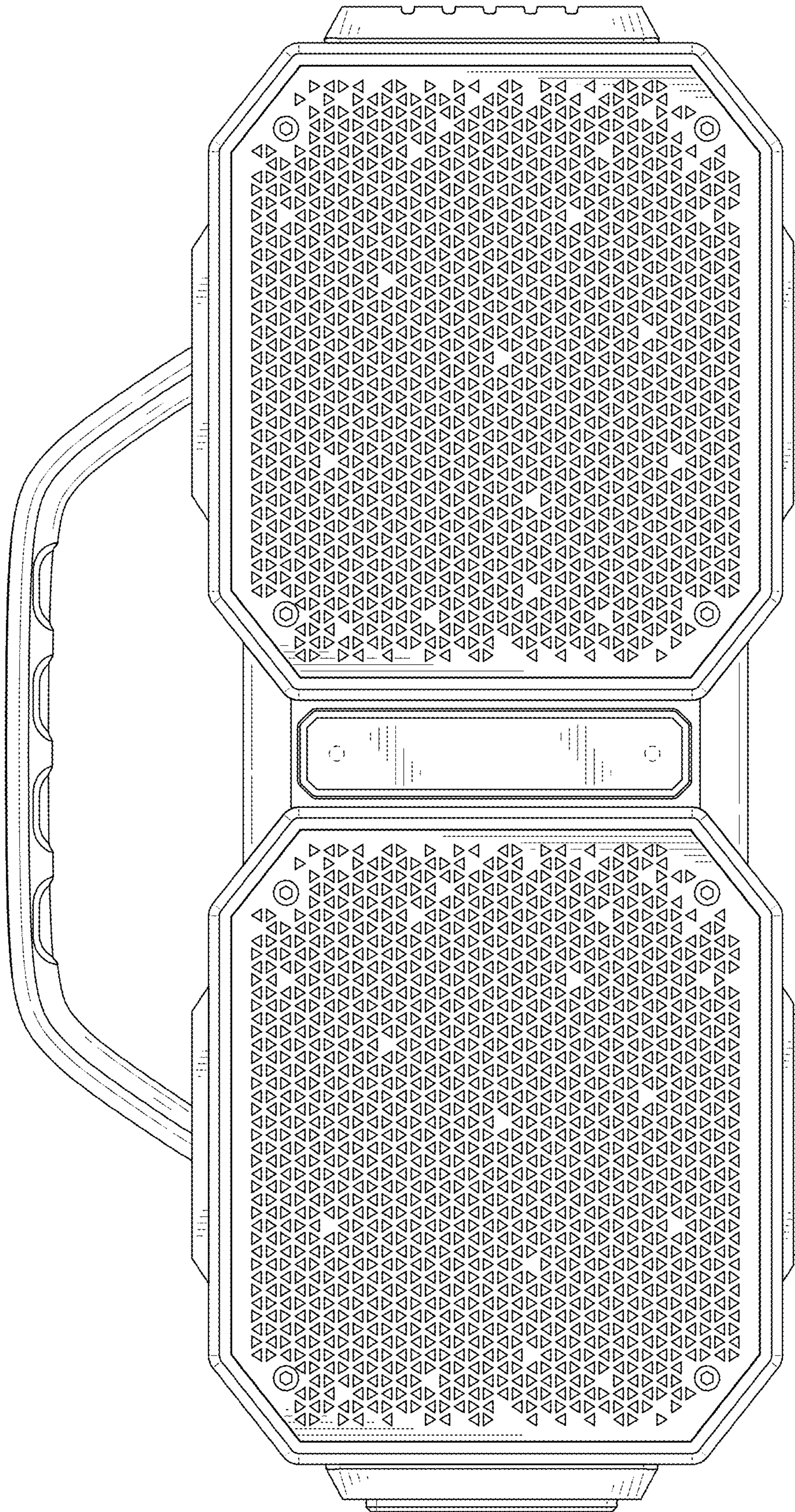


FIG. 3

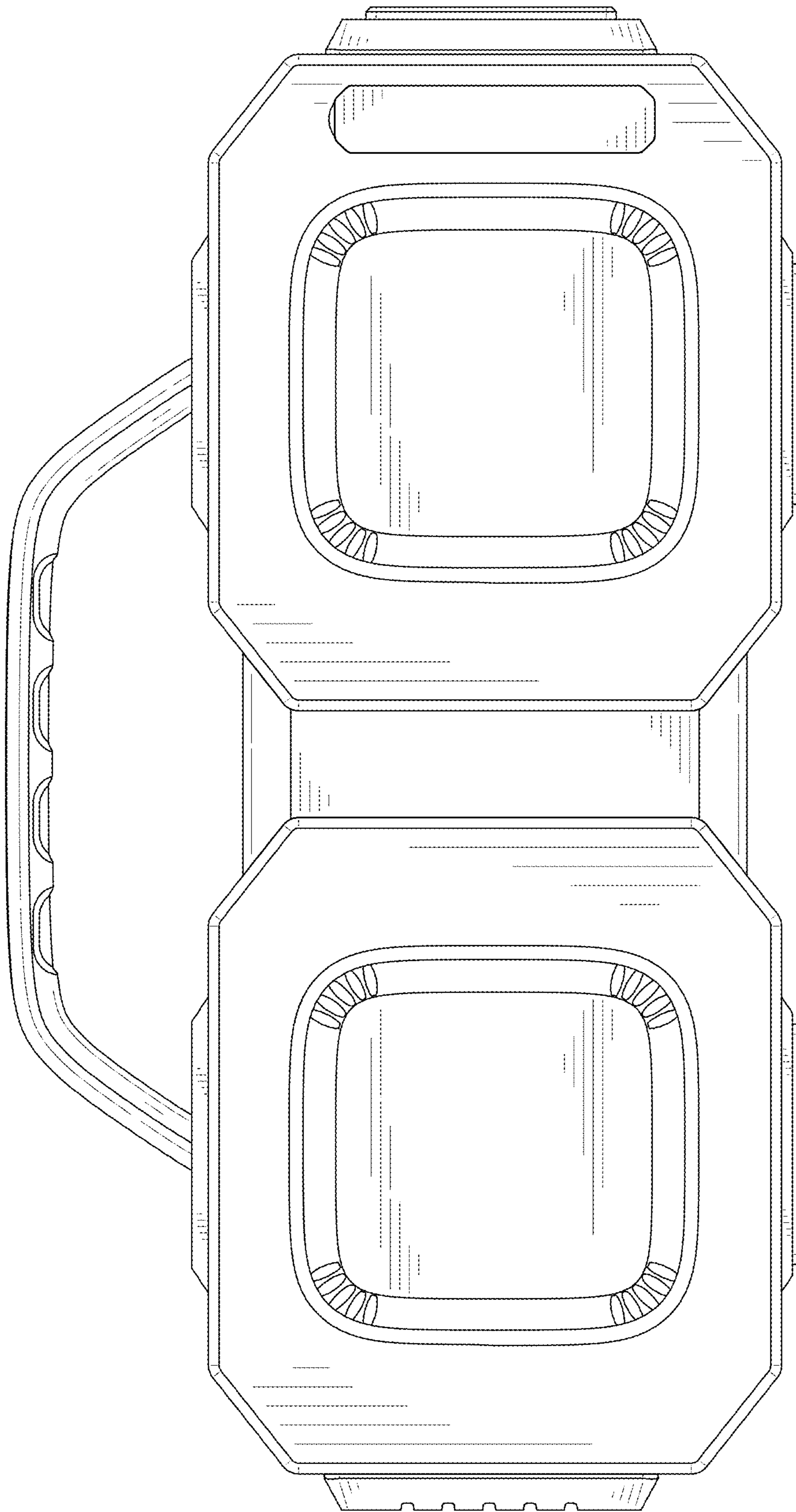


FIG. 4

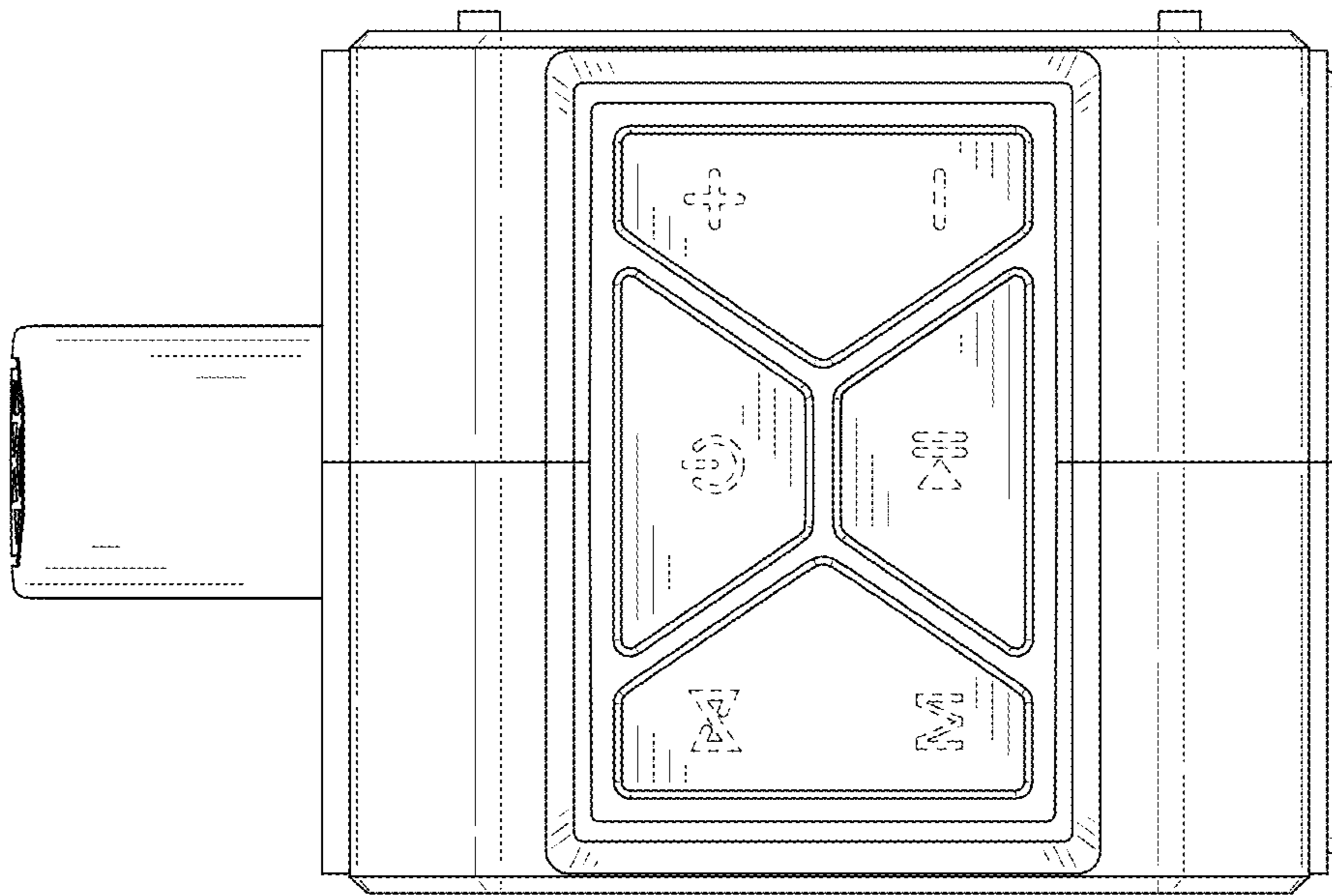


FIG. 5

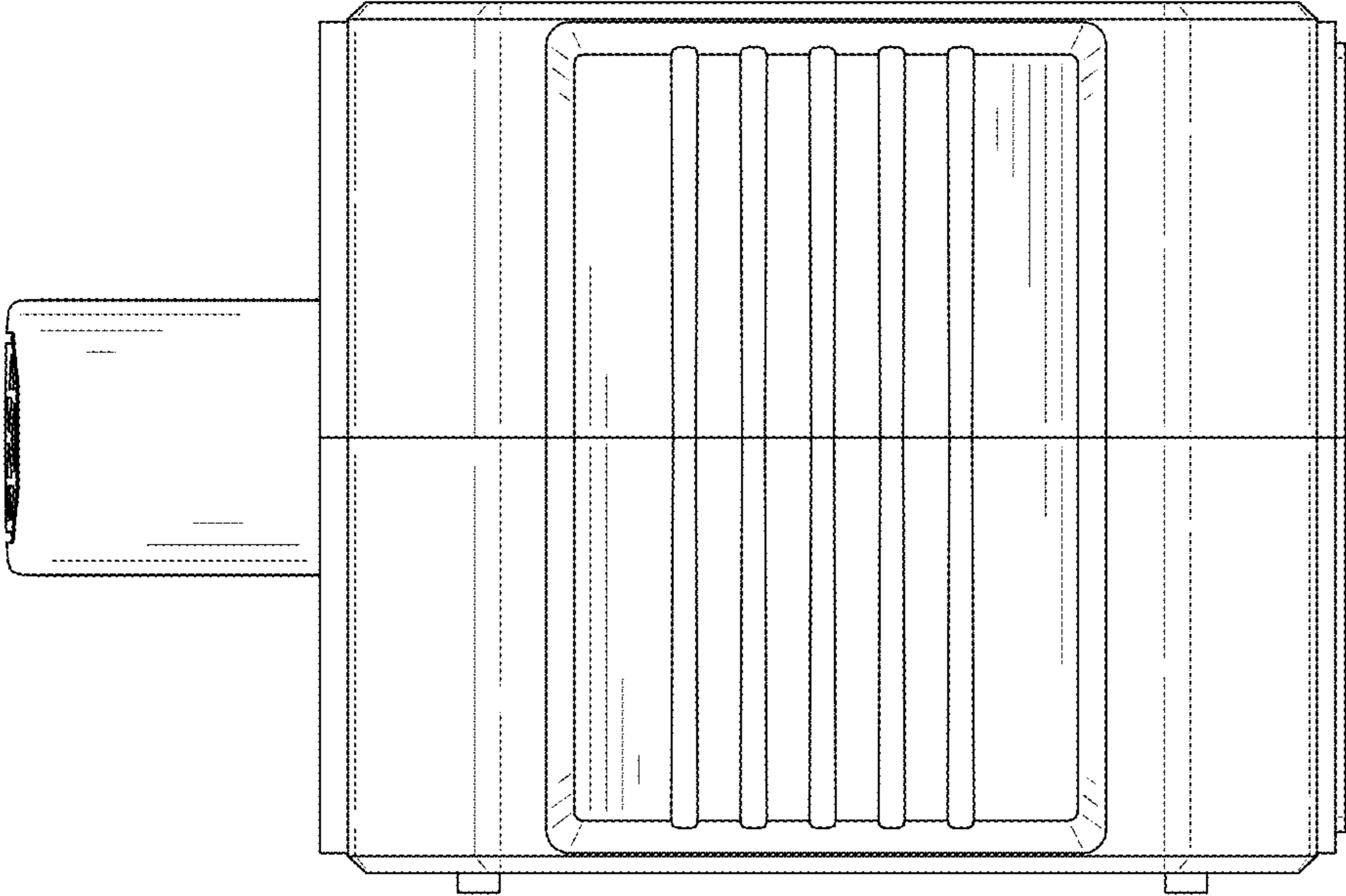


FIG. 6

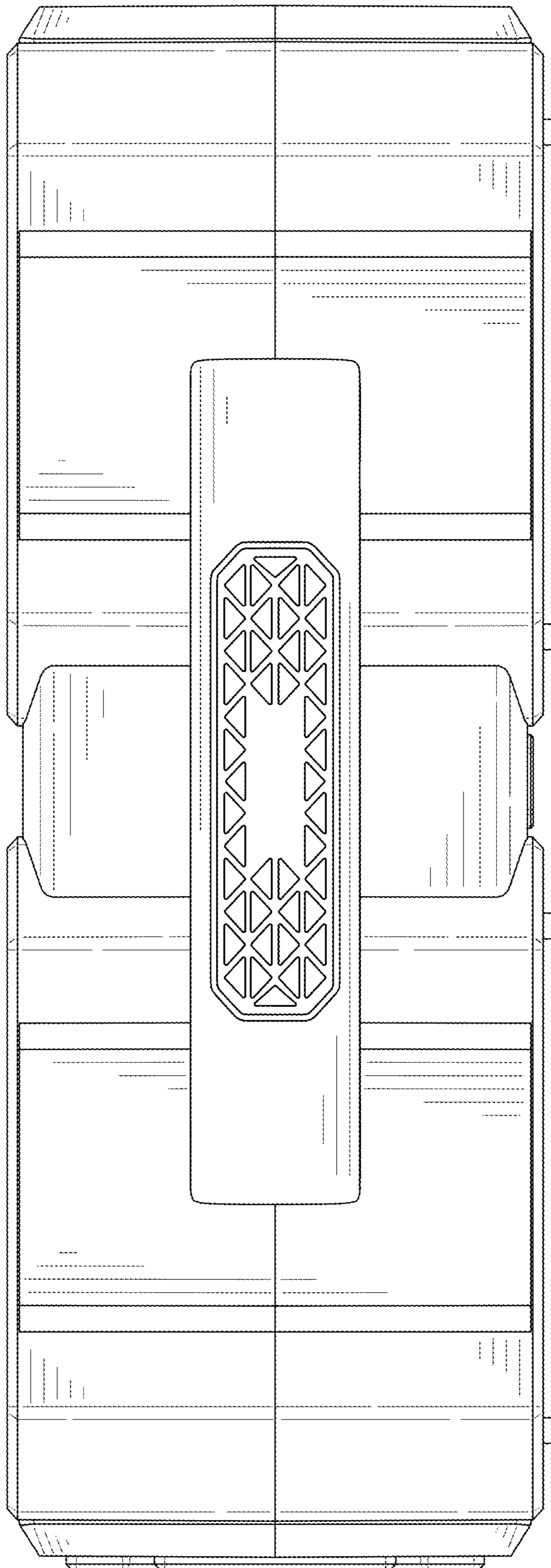


FIG. 7

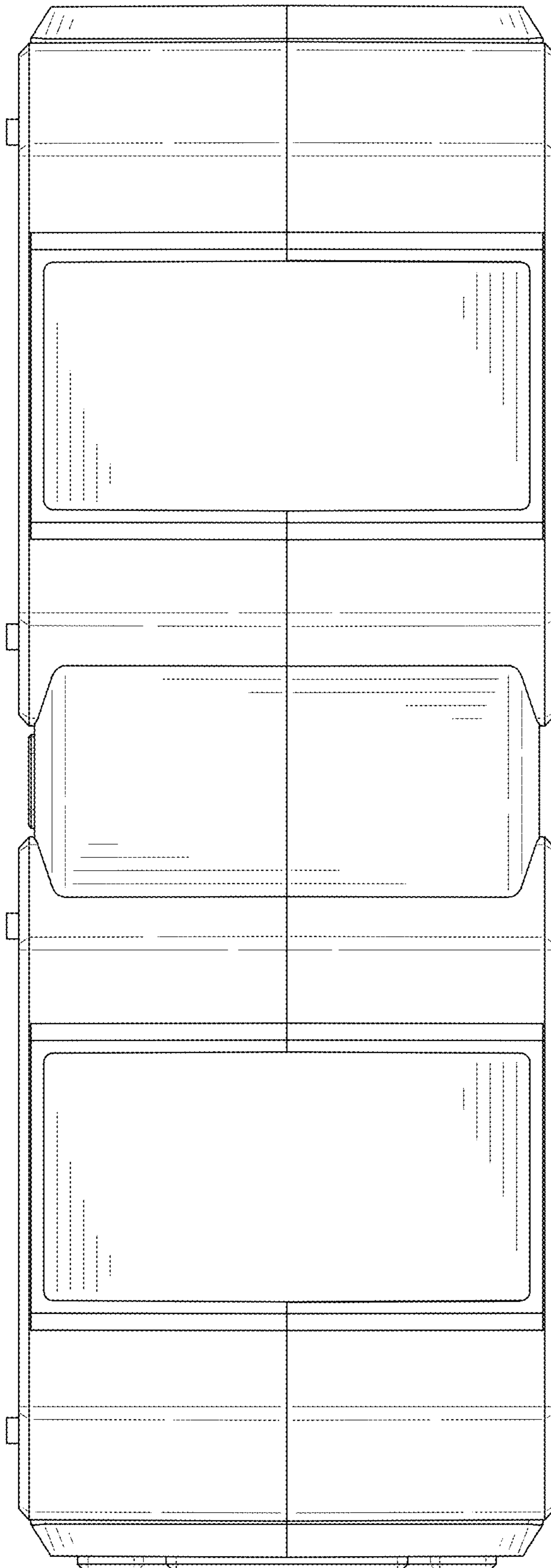


FIG. 8

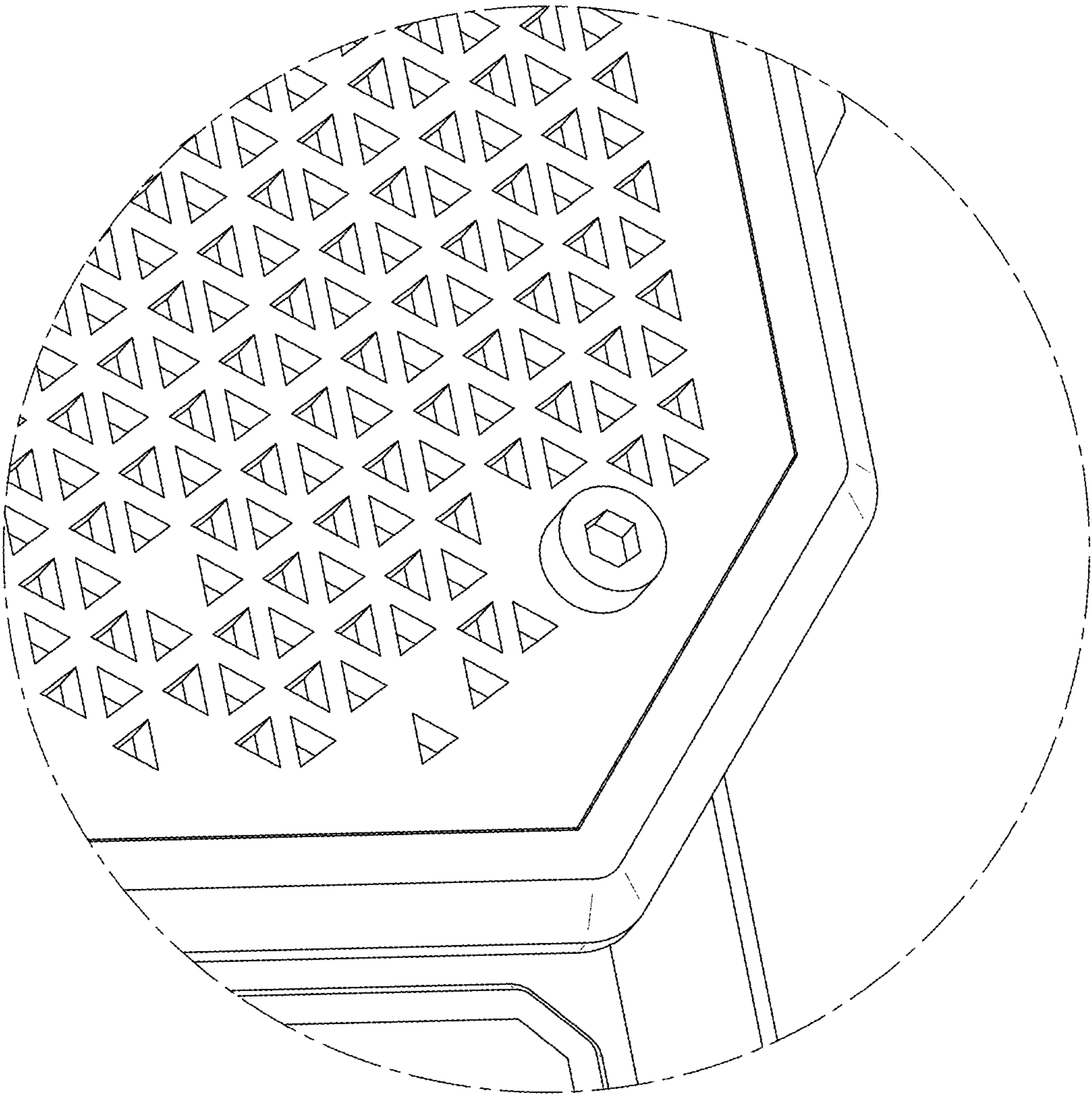


FIG. 9

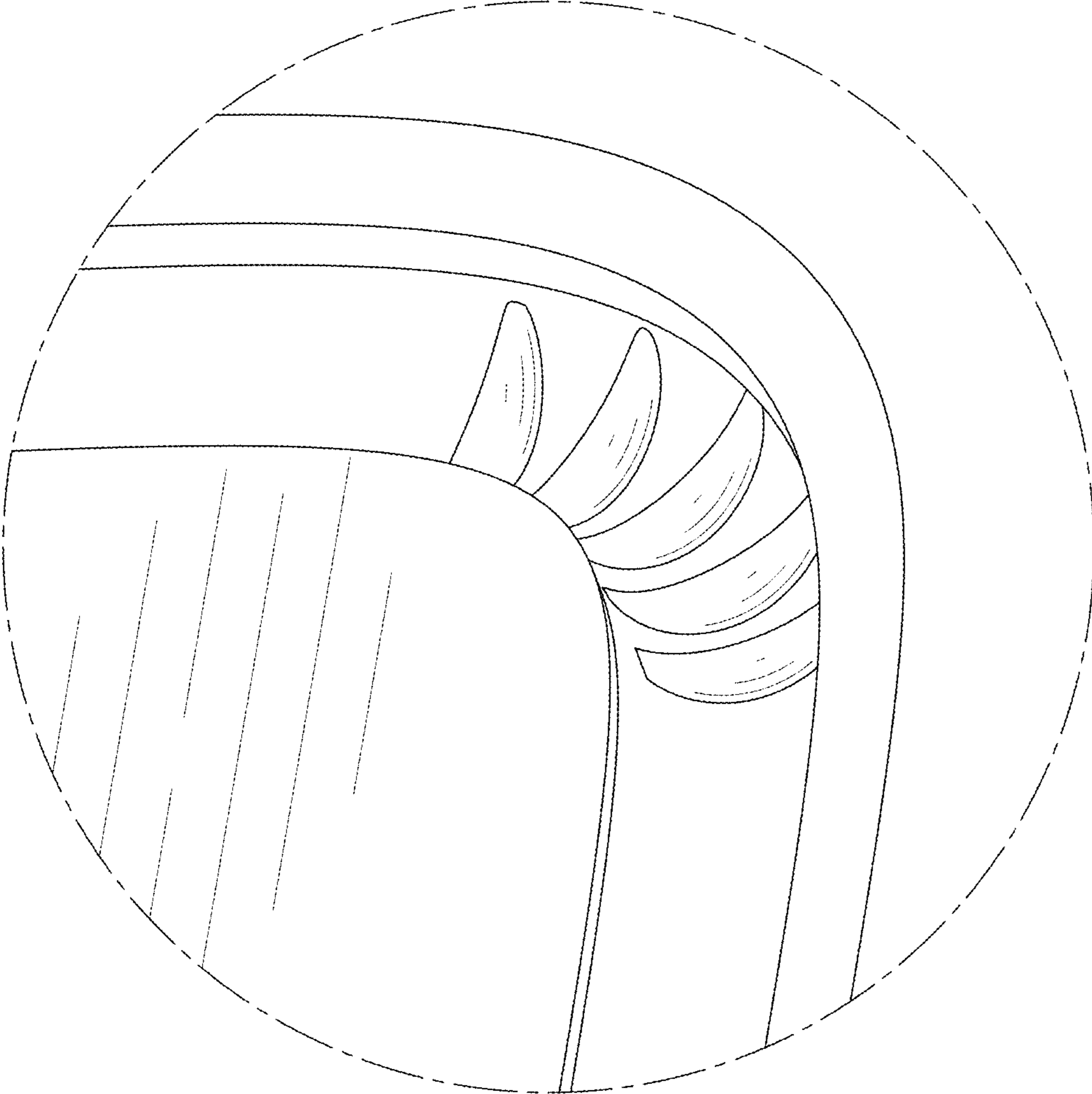


FIG. 10