



US00D886796S

(12) **United States Design Patent**  
**Mangum et al.**

(10) **Patent No.:** **US D886,796 S**

(45) **Date of Patent:** **\*\* Jun. 9, 2020**

- (54) **SPEAKER DEVICE**
- (71) Applicant: **Google LLC**, Mountain View, CA (US)
- (72) Inventors: **Kristen Mangum**, San Mateo, CA (US); **Maj Isabelle Olsson**, Sunnyvale, CA (US); **Katherine Morgenroth**, Los Gatos, CA (US); **Livius Dumitru Chebeleu**, San Jose, CA (US); **Carl Cepress**, Mountain View, CA (US); **Jung Geun Tak**, Millbrae, CA (US)

- D558,977 S \* 1/2008 Peart ..... D3/294
- D578,105 S 10/2008 Komiyama
- D587,239 S 2/2009 Raisanen et al.
- D590,812 S 4/2009 Muraoka et al.
- D602,019 S \* 10/2009 Wang ..... D14/356
- D702,185 S \* 4/2014 Yata ..... D13/110
- D713,788 S \* 9/2014 Hasegawa ..... D13/110
- D739,845 S 9/2015 Hwang
- D756,330 S 5/2016 Silvera

(Continued)

**FOREIGN PATENT DOCUMENTS**

- (73) Assignee: **GOOGLE LLC**, Mountain View, CA (US)

- CN 304261281 S 8/2017
- JP 1575144 S 5/2017
- JP 1594394 S 1/2018

(\*\*) Term: **15 Years**

**OTHER PUBLICATIONS**

- (21) Appl. No.: **29/685,757**
- (22) Filed: **Mar. 29, 2019**

Notice of Grant for Japanese Design Patent Application No. 2017-027443, dated Jul. 10, 2018. 3 pages.

*Primary Examiner* — Janice Patyk  
(74) *Attorney, Agent, or Firm* — Morgan, Lewis & Bockius LLP

**Related U.S. Application Data**

- (63) Continuation of application No. 29/615,773, filed on Aug. 31, 2017, now abandoned.

- (51) **LOC (12) Cl.** ..... **14-01**
- (52) **U.S. Cl.**  
USPC ..... **D14/204**

(57) **CLAIM**

The ornamental design for a speaker device, as shown and described.

- (58) **Field of Classification Search**  
USPC ..... D14/188, 203.1, 203.3, 204, 210–216, D14/219, 221, 356, 363, 365–368, 496; 181/143, 144, 148, 153, 157, 198, 199; 369/6–12; 381/300–303, 361–364, 381/386–388  
CPC ..... H04R 1/02; H04R 1/021; H04R 1/023; H04R 5/00; H04R 9/06; H04R 2420/07  
See application file for complete search history.

**DESCRIPTION**

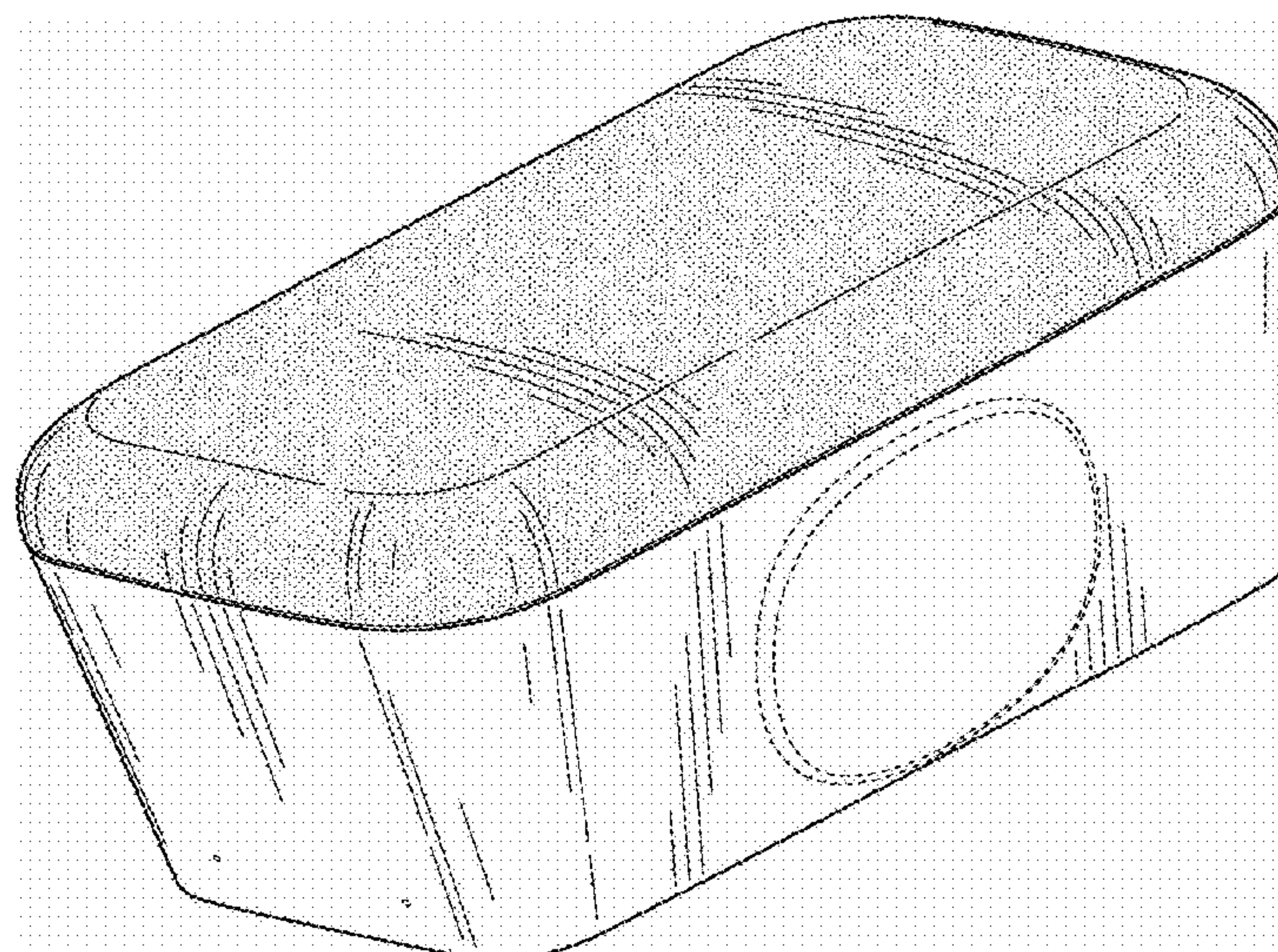
FIG. 1 is a top perspective view of a speaker device showing our new design;  
FIG. 2 is a front elevational view thereof;  
FIG. 3 is a rear elevational view thereof;  
FIG. 4 is a right-side elevational view thereof;  
FIG. 5 is a left-side elevational view thereof;  
FIG. 6 is a top plan view thereof;  
FIG. 7 is a bottom plan view thereof; and,  
FIG. 8 is a bottom perspective view thereof.  
The broken lines in the figures illustrate the portions of the design that form no part of the claimed design.

(56) **References Cited**

**U.S. PATENT DOCUMENTS**

- D360,417 S 7/1995 Mark
- D484,853 S \* 1/2004 Alviar ..... D13/110

**1 Claim, 5 Drawing Sheets**



(56)

**References Cited**

U.S. PATENT DOCUMENTS

D766,827 S \* 9/2016 Chen ..... D13/110  
D806,711 S 1/2018 Sakaguchi et al.  
D807,290 S \* 1/2018 Liao ..... D13/110  
2012/0062483 A1 3/2012 Ciesla et al.

\* cited by examiner



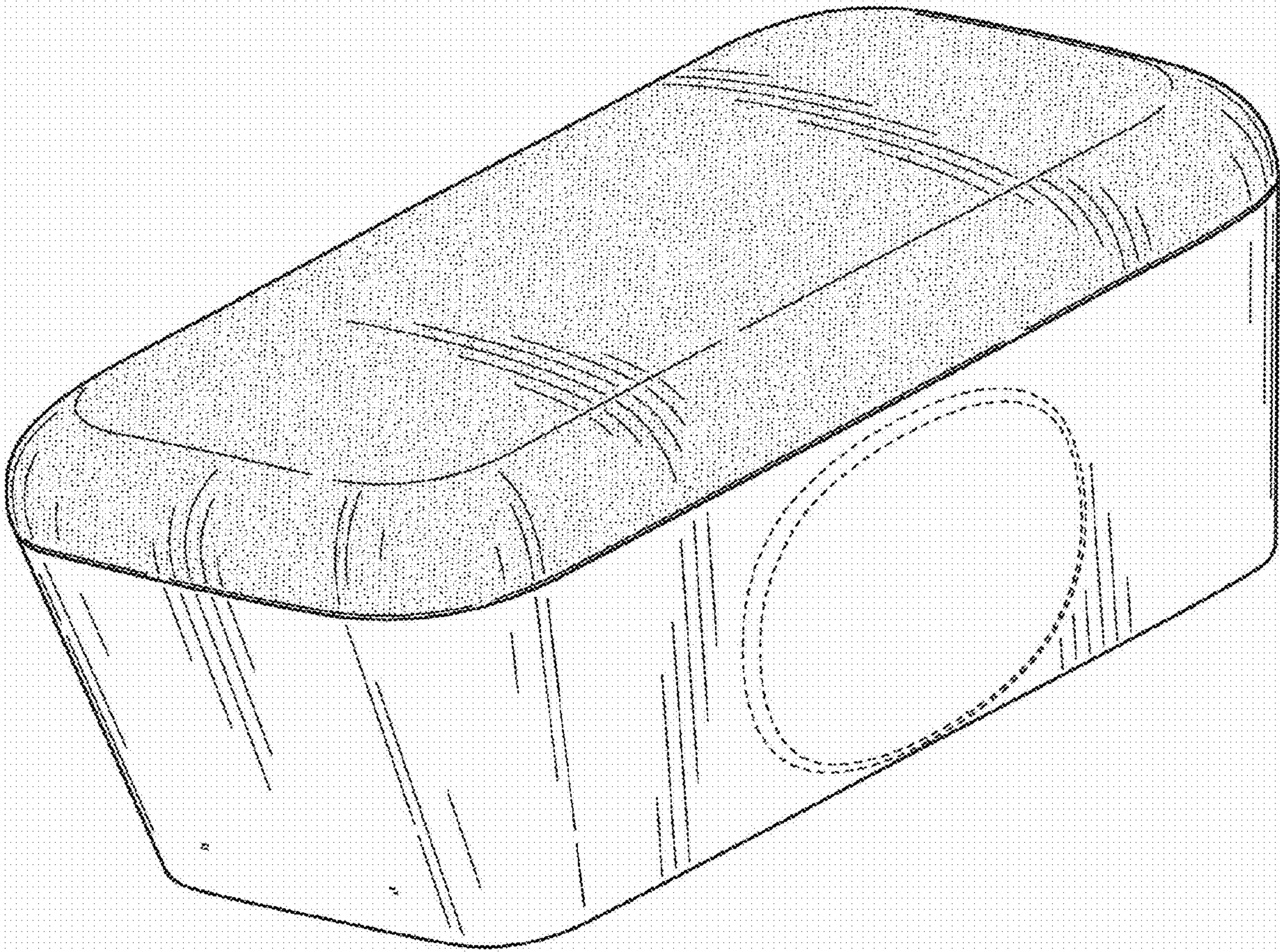


FIG. 1

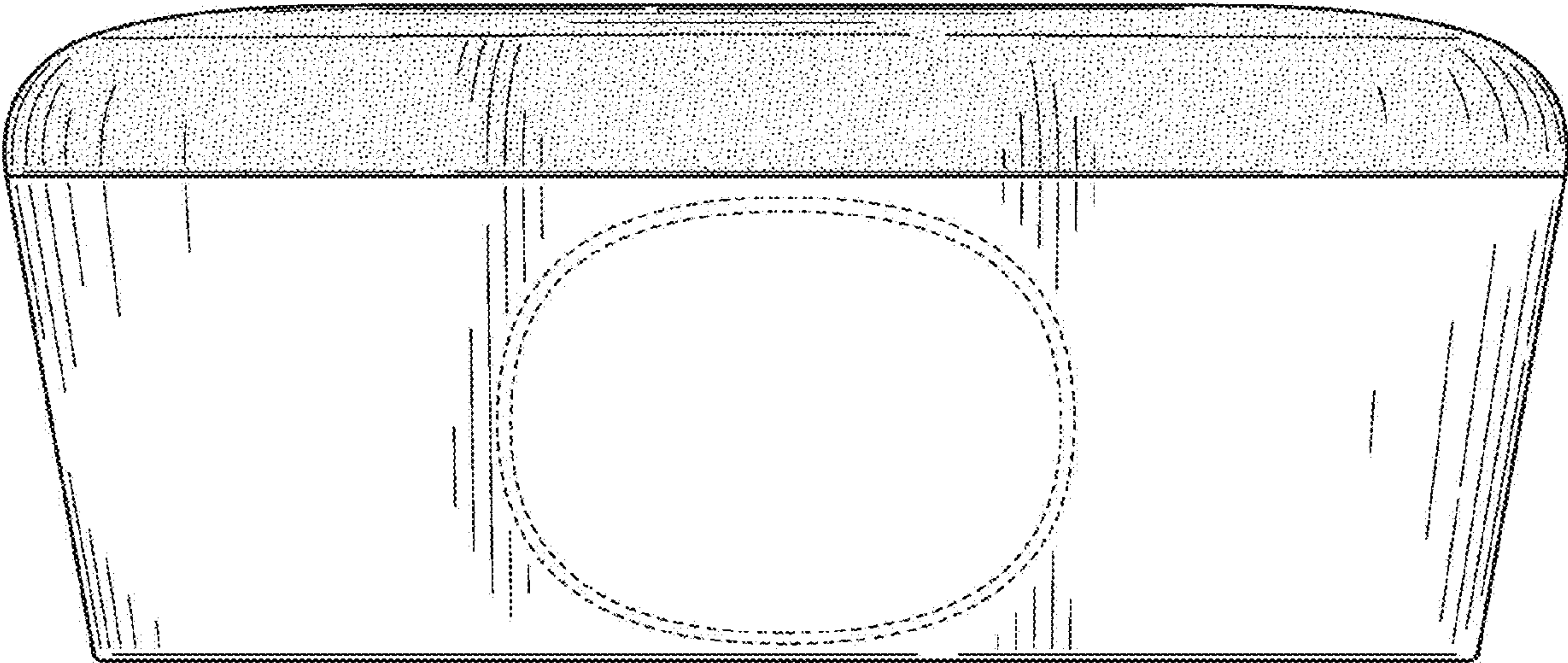


FIG. 2

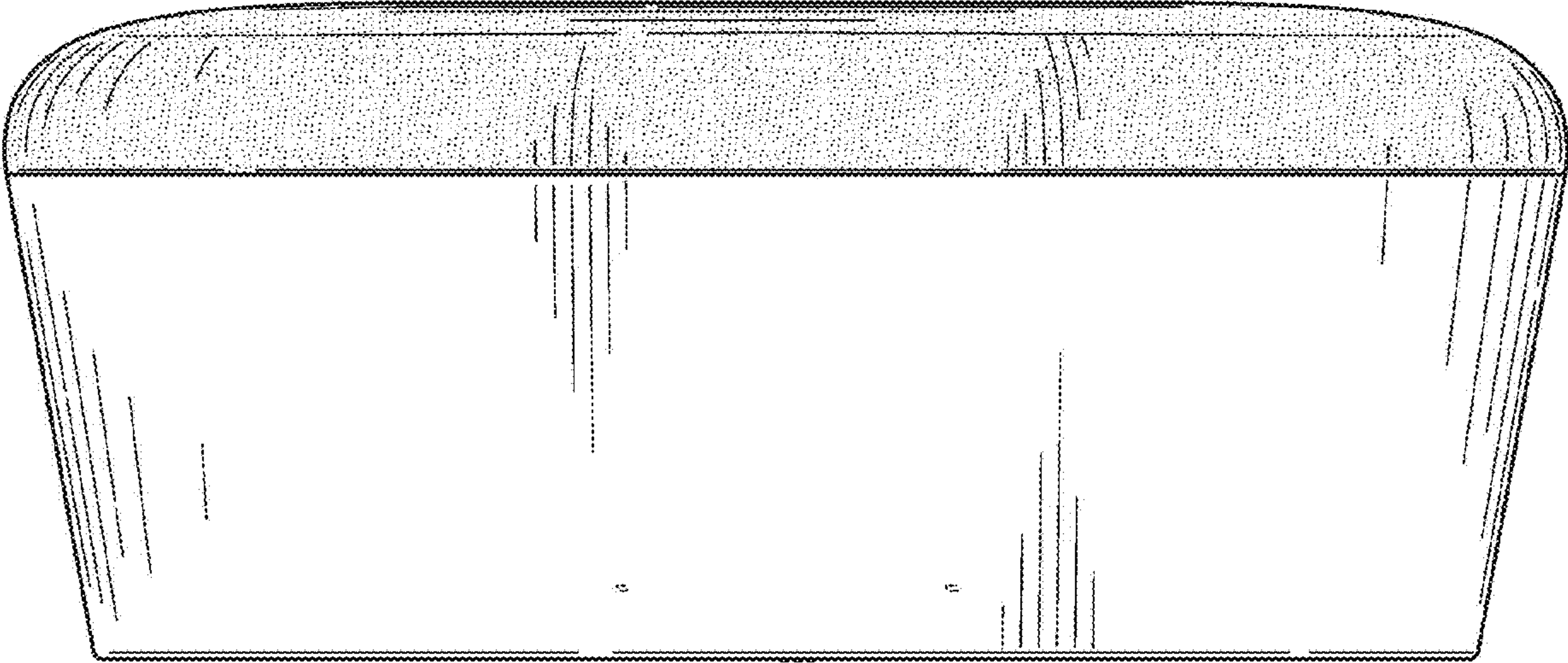


FIG. 3



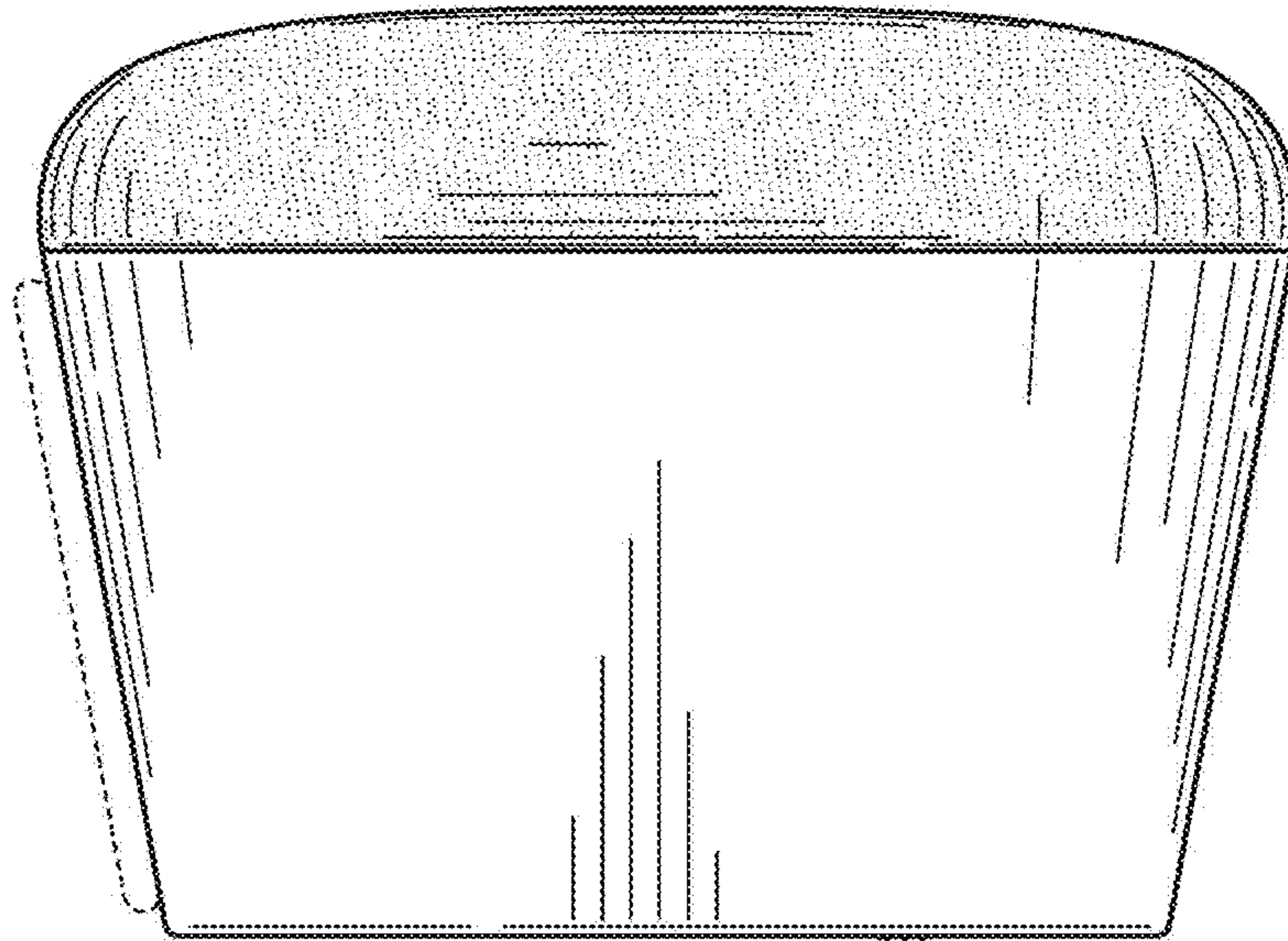


FIG. 4

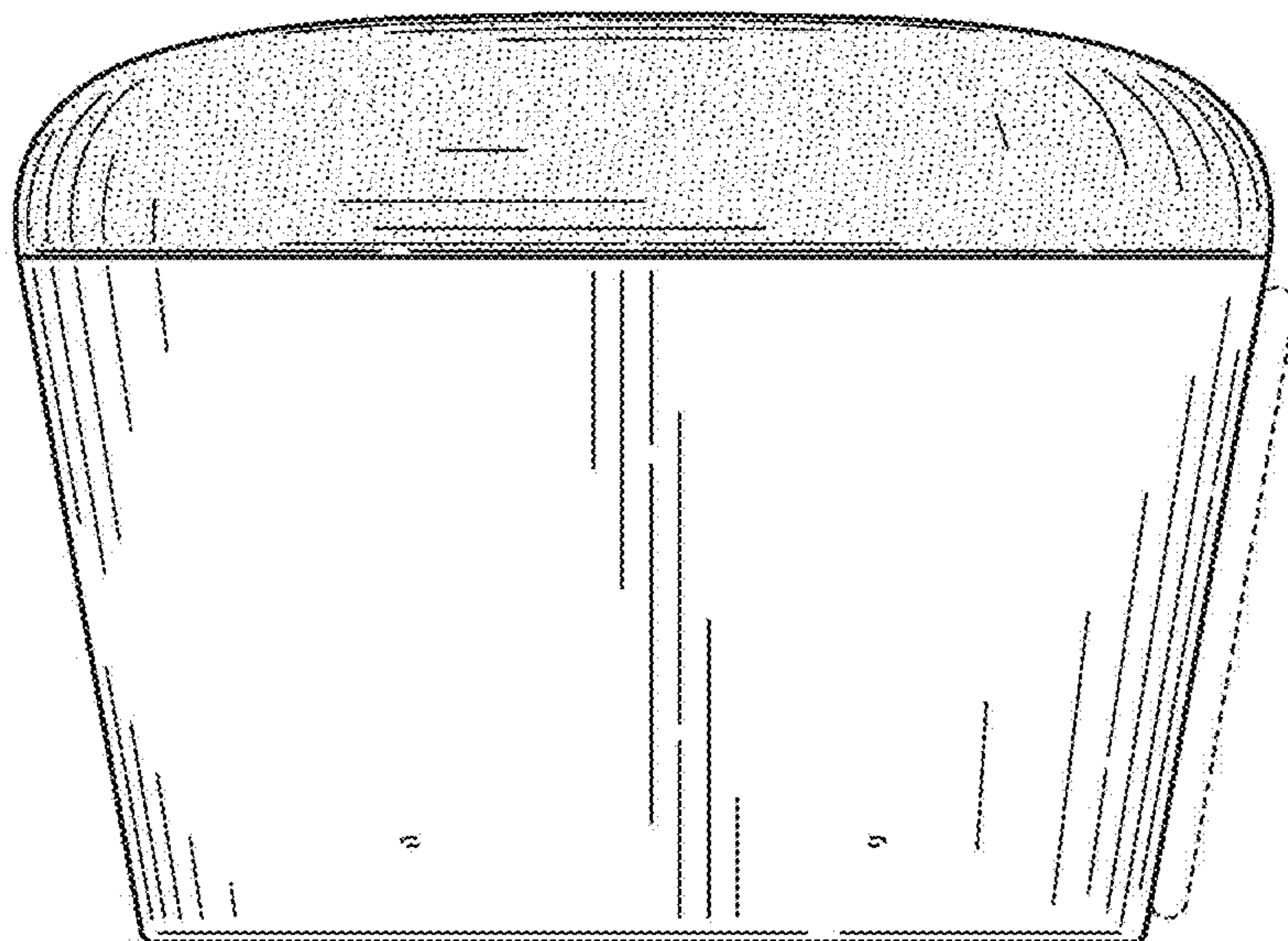


FIG. 5

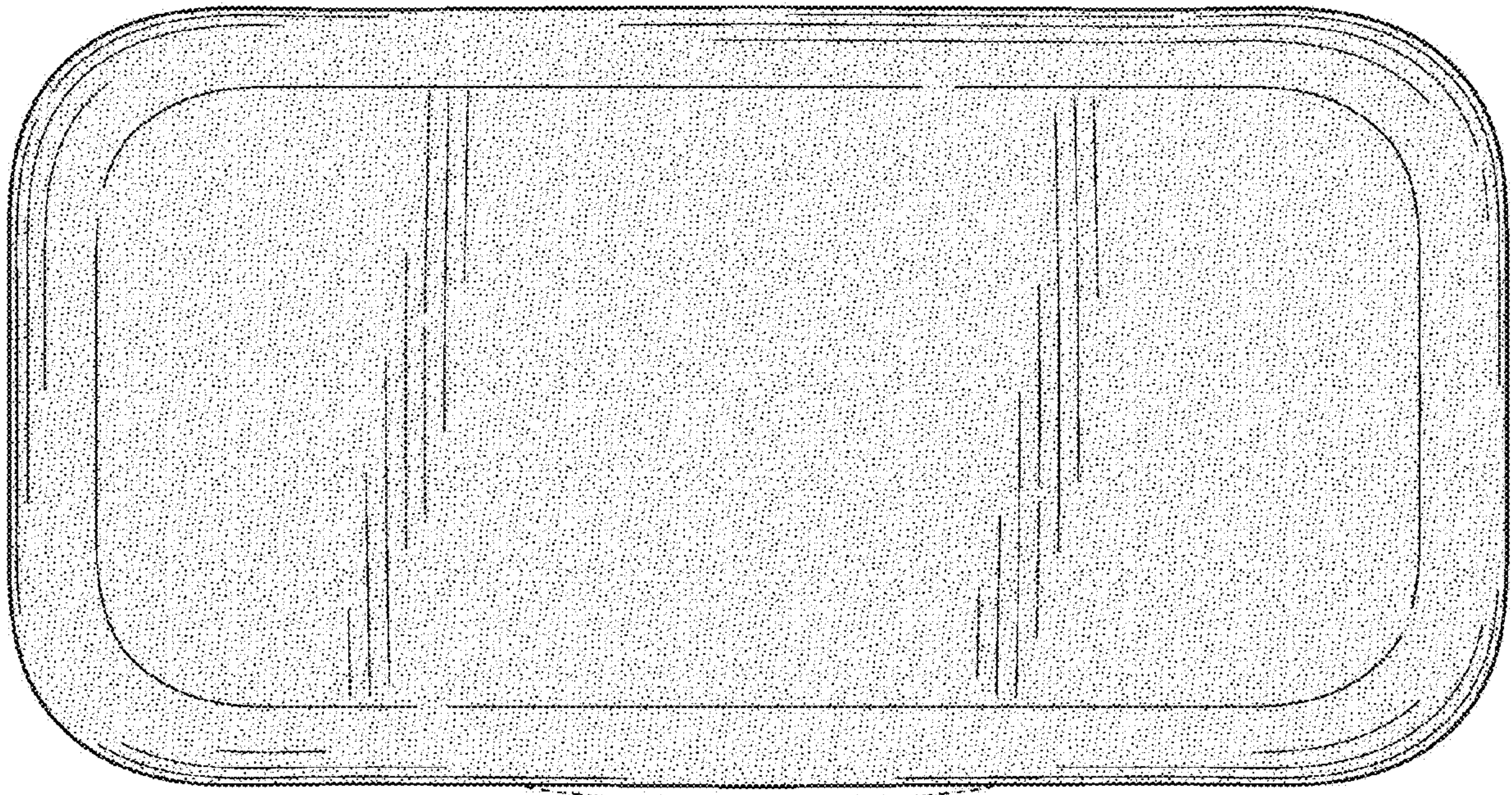


FIG. 6

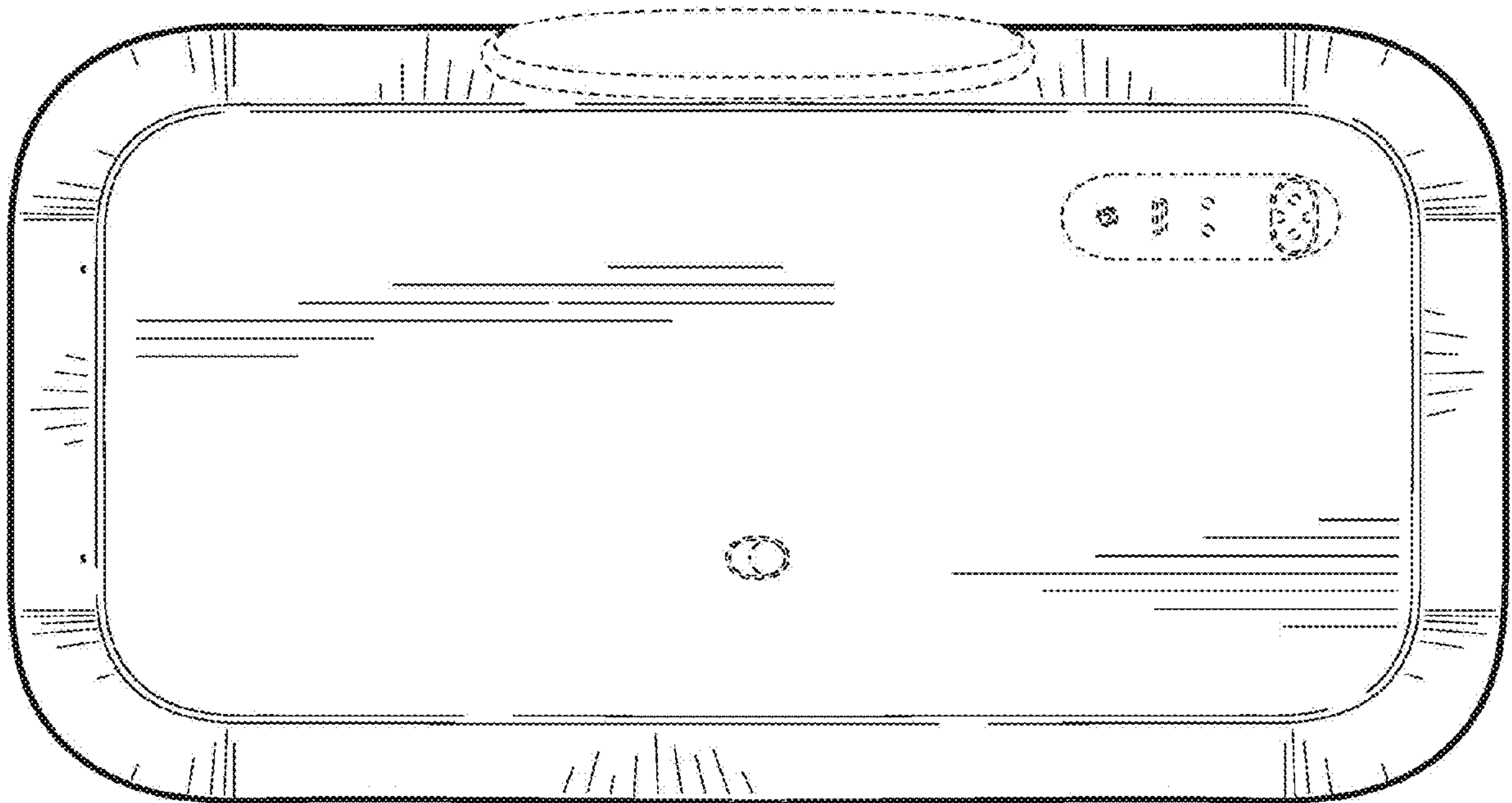


FIG. 7



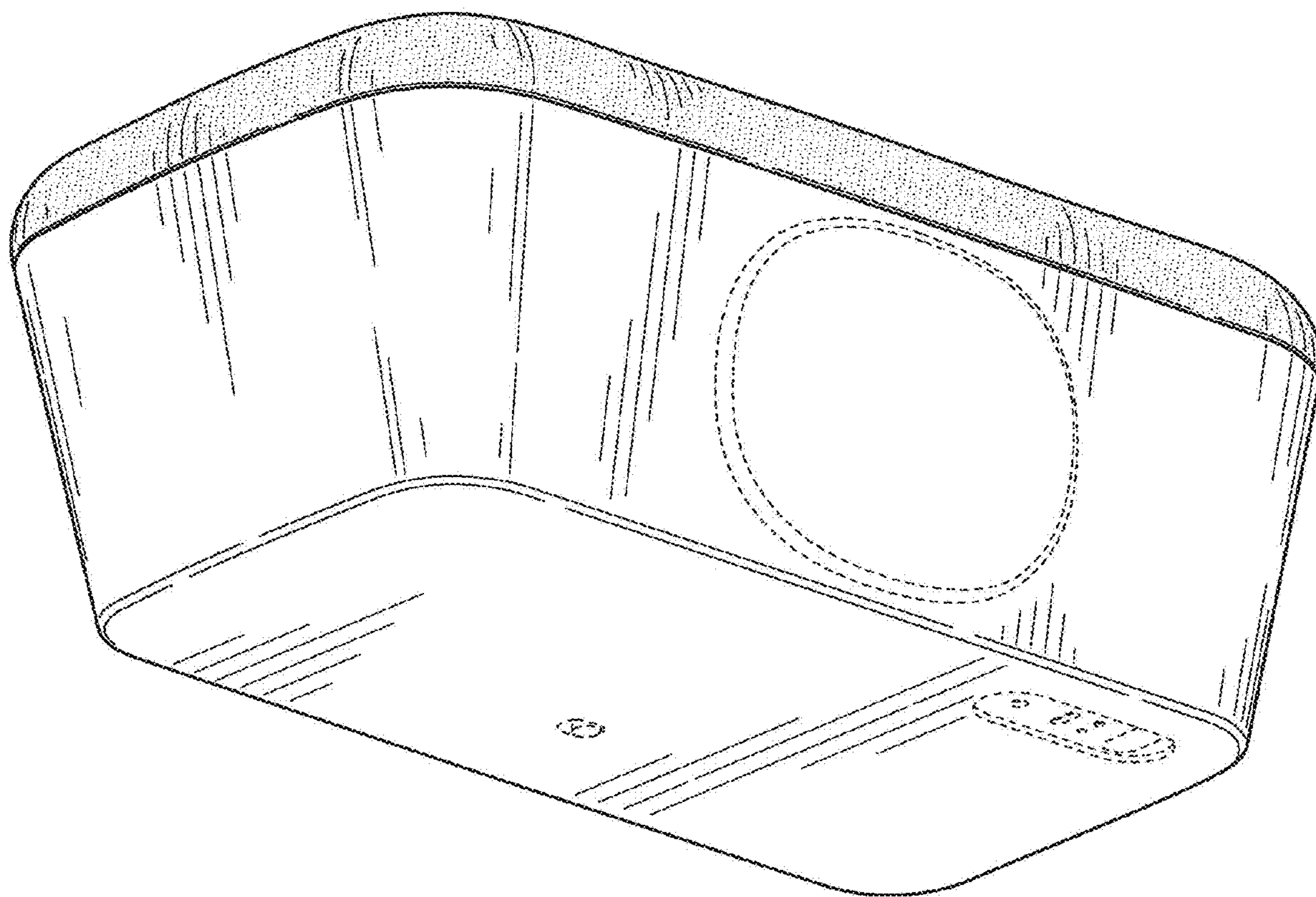


FIG. 8