



US00D886794S

(12) **United States Design Patent** (10) **Patent No.:** **US D886,794 S**
Johnson (45) **Date of Patent:** **** Jun. 9, 2020**

(54) **SOUND DEVICE**

(56) **References Cited**

(71) Applicant: **London Johnson, Inc.**, Dallas, TX (US)
(72) Inventor: **Brian P. Johnson**, Dallas, TX (US)
(73) Assignee: **London Johnson, Inc.**, Dallas, TX (US)
(**) Term: **15 Years**
(21) Appl. No.: **29/658,811**
(22) Filed: **Aug. 2, 2018**

U.S. PATENT DOCUMENTS

D381,325 S *	7/1997	McMahan	D14/388
D441,760 S *	5/2001	Hibino	D14/415
D484,886 S *	1/2004	Matsuoka	D14/388
D516,073 S *	2/2006	Boswell	D14/399
D637,580 S *	5/2011	Aranda, Jr.	D14/214
D639,784 S *	6/2011	Murayama	D14/218
D724,563 S *	3/2015	Kim	D14/214
D771,018 S *	11/2016	Espinosa	D14/214

* cited by examiner

Primary Examiner — Janice Patyk
(74) *Attorney, Agent, or Firm* — Perkins Coie LLP

Related U.S. Application Data

(62) Division of application No. 29/563,463, filed on May 4, 2016, now Pat. No. Des. 827,606.
(51) **LOC (12) Cl.** **14-01**
(52) **U.S. Cl.**
USPC **D14/204**
(58) **Field of Classification Search**
USPC D14/188, 203.1–203.8, 204, 209.1, D14/210–213, 215, 216; 181/144, 148, 181/153, 157, 198; 369/6–12; 381/301–303, 306, 332, 334, 336, 345, 381/361–363, 386–388
CPC G06F 1/1688; H04R 1/02; H04R 1/025; H04R 1/026; H04R 1/323; H04R 1/403; H04R 1/2803; H04R 1/2834; H04R 5/02; H04R 9/06; H04R 2201/021; H04R 2400/00; H04R 2400/07; H04R 2499/11
See application file for complete search history.

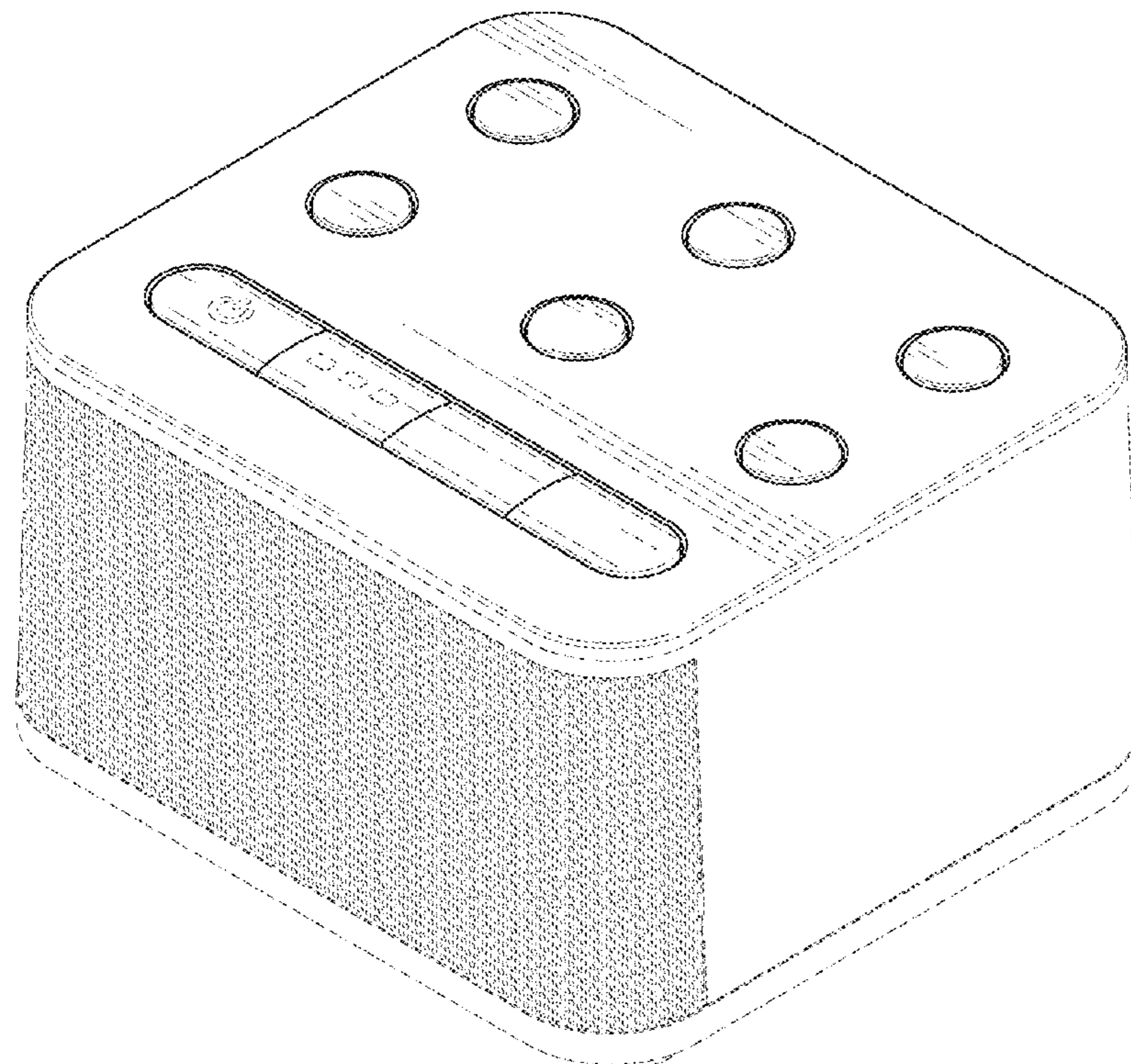
(57) **CLAIM**

The ornamental design for a sound device, as shown and described.

DESCRIPTION

FIG. 1 is a top, front perspective view of a sound device, showing my new design.
FIG. 2 is a top plan view thereof.
FIG. 3 is a bottom plan view thereof.
FIG. 4 is a front view thereof.
FIG. 5 is a back view thereof.
FIG. 6 is a side view thereof; and,
FIG. 7 is an opposite side view thereof.
The broken lines in the figures illustrate the portions of the design that form no part of the claimed design.

1 Claim, 4 Drawing Sheets



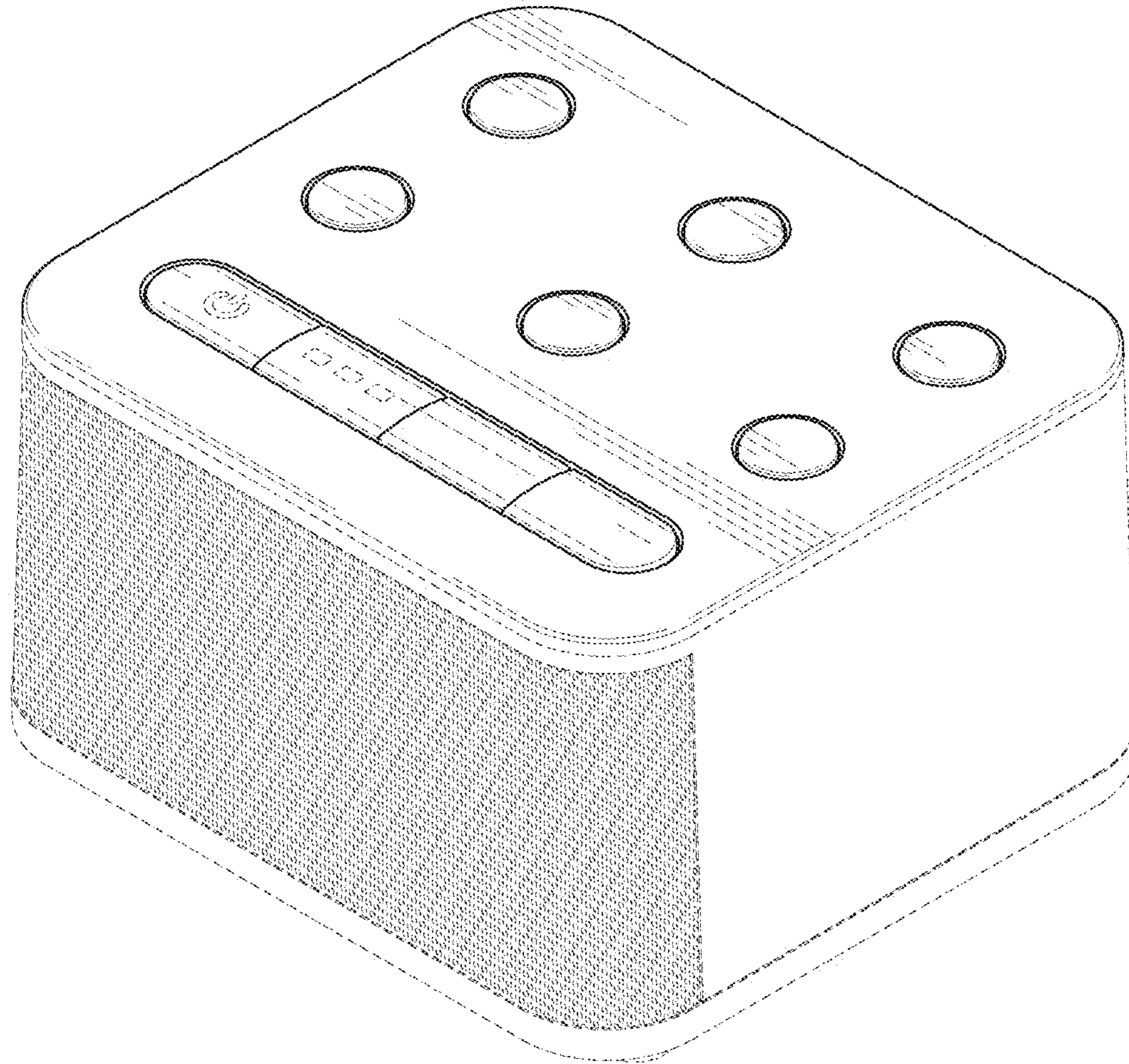


Fig. 1

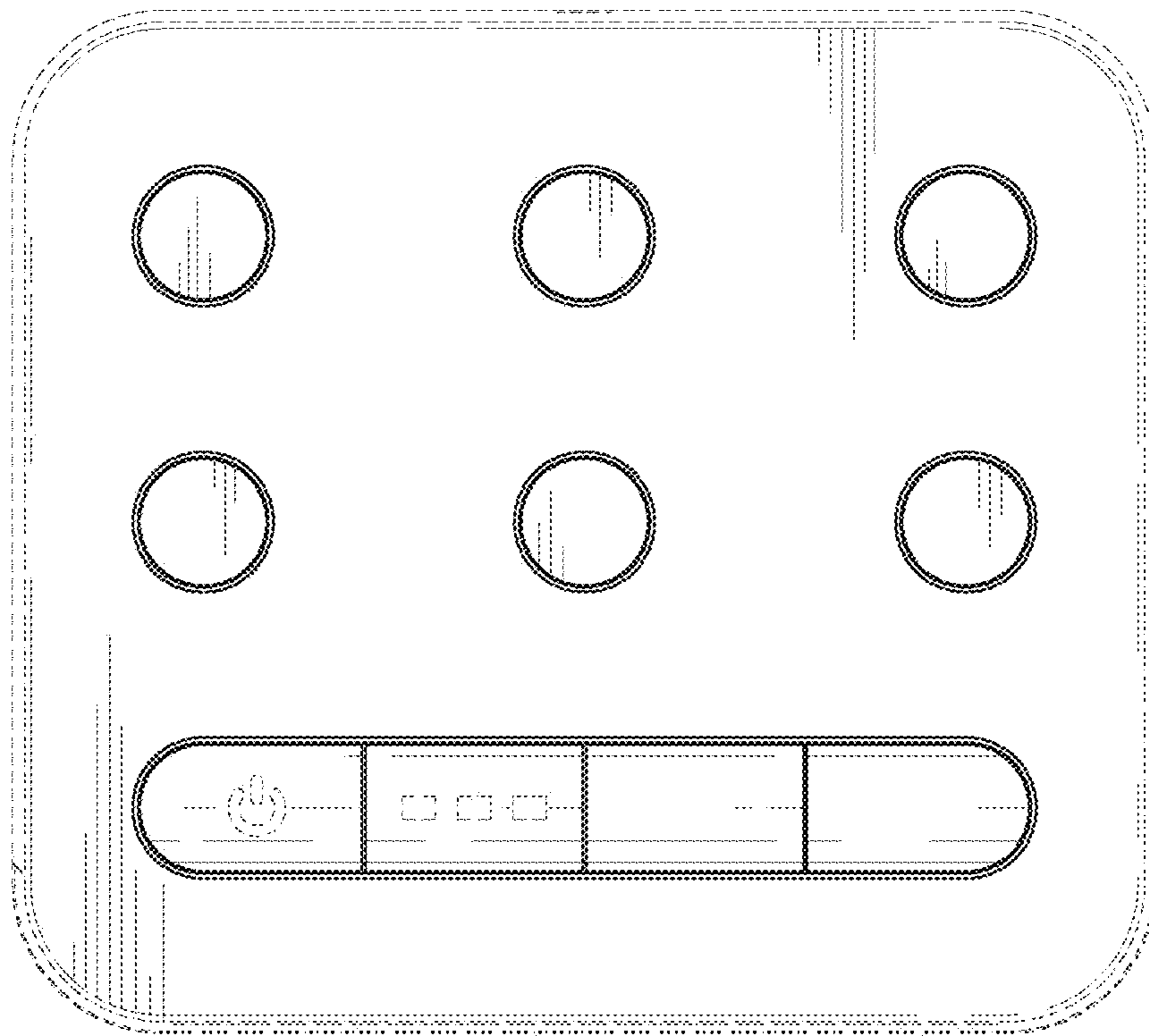


Fig. 2

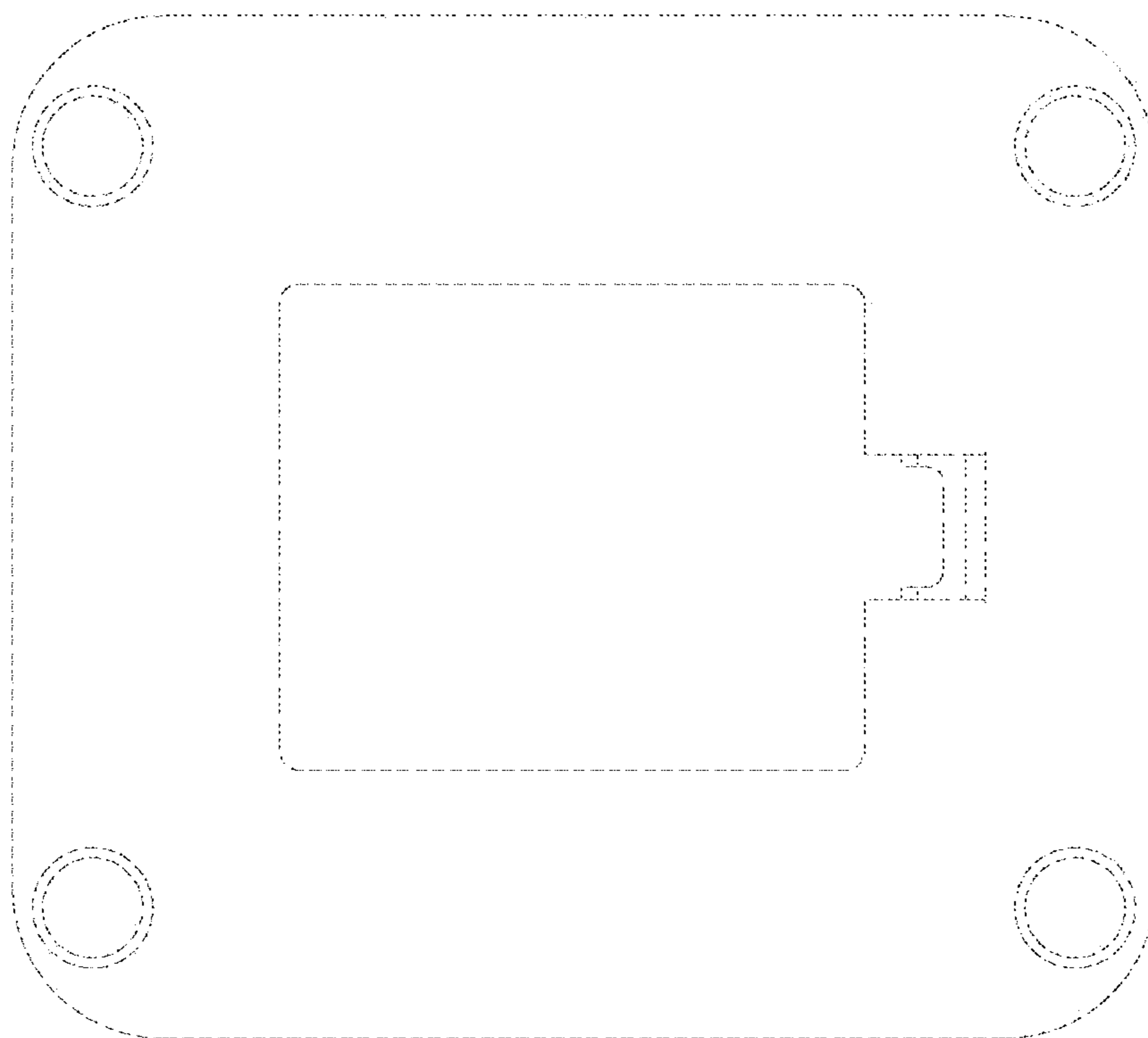


Fig. 3

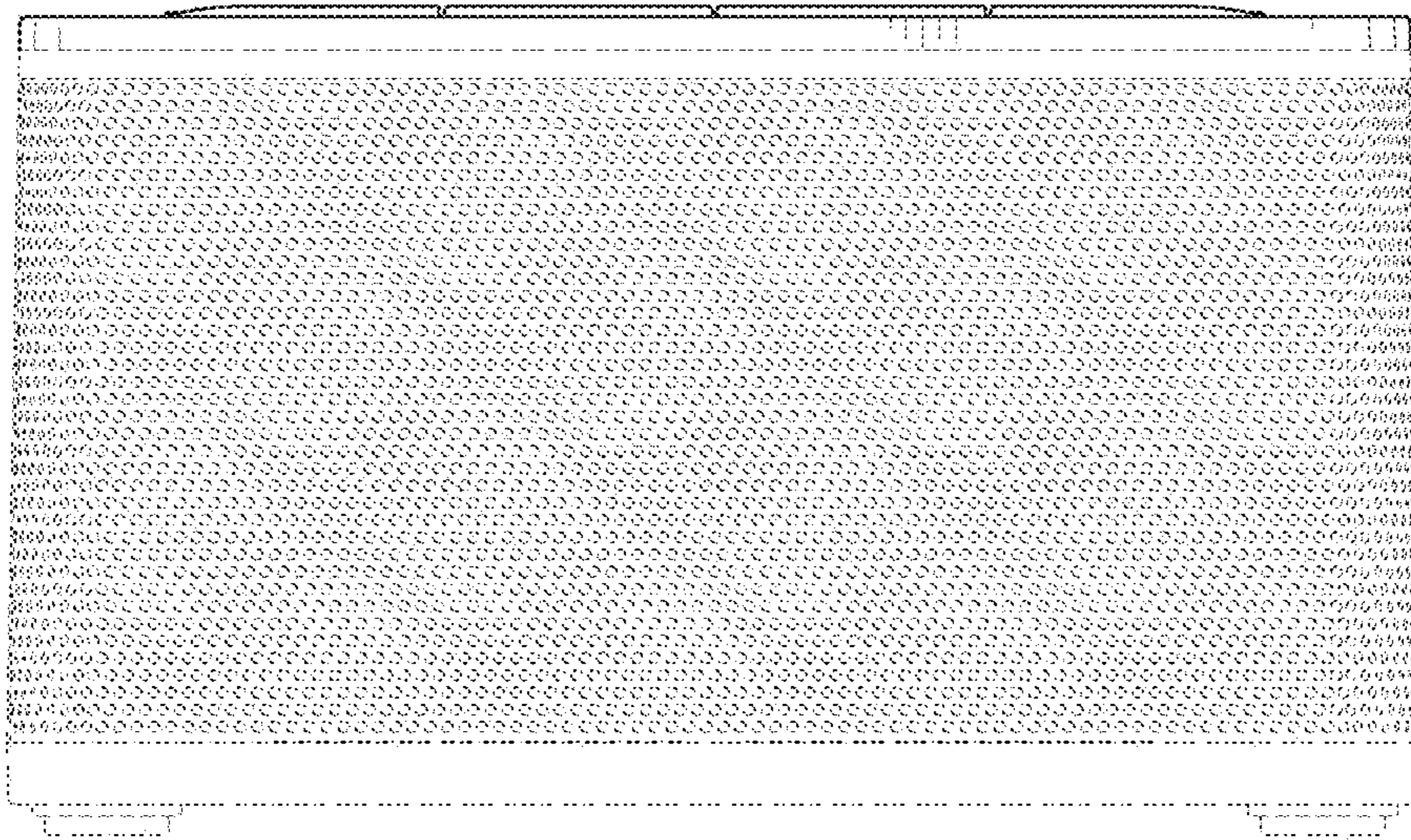


Fig. 4

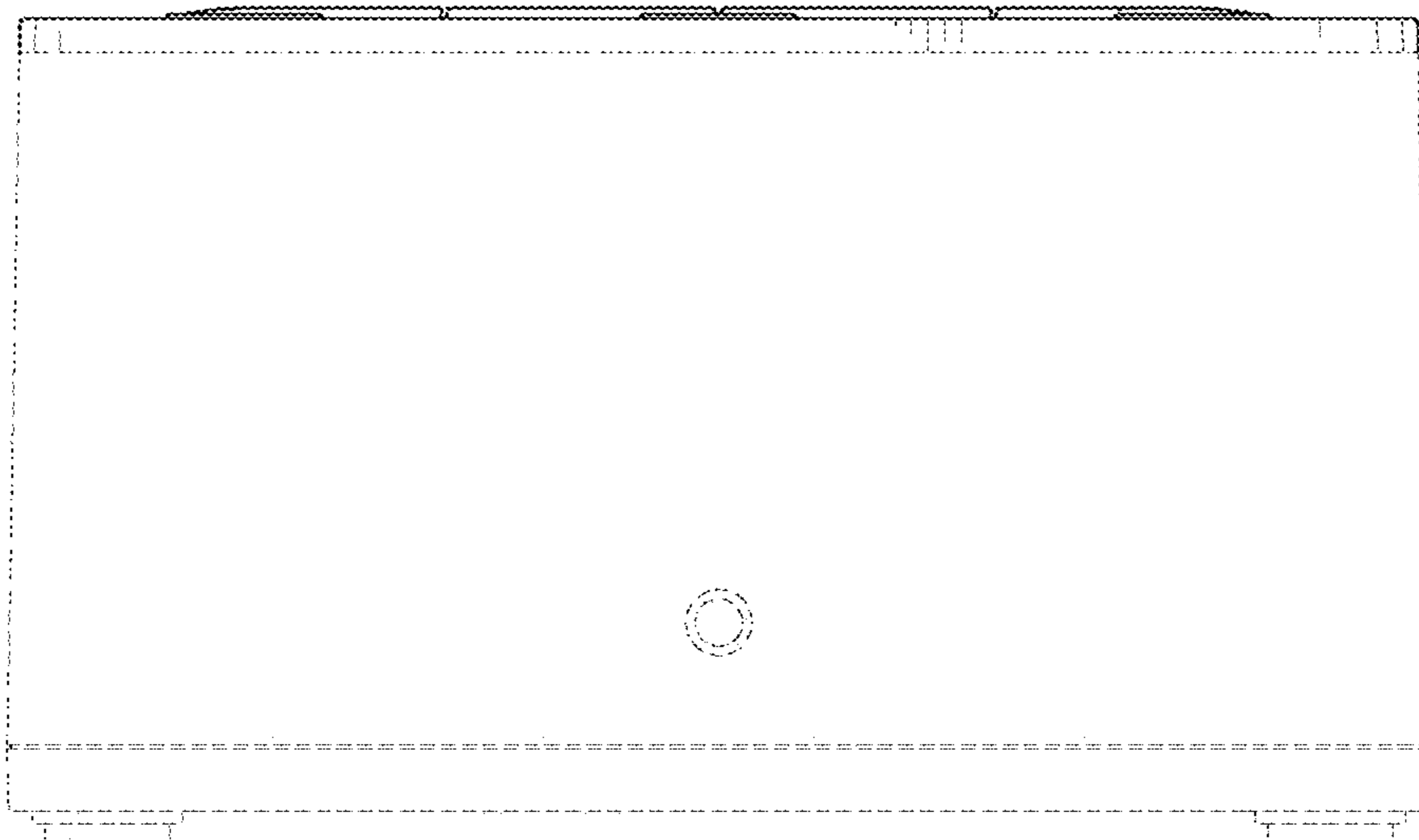


Fig. 5

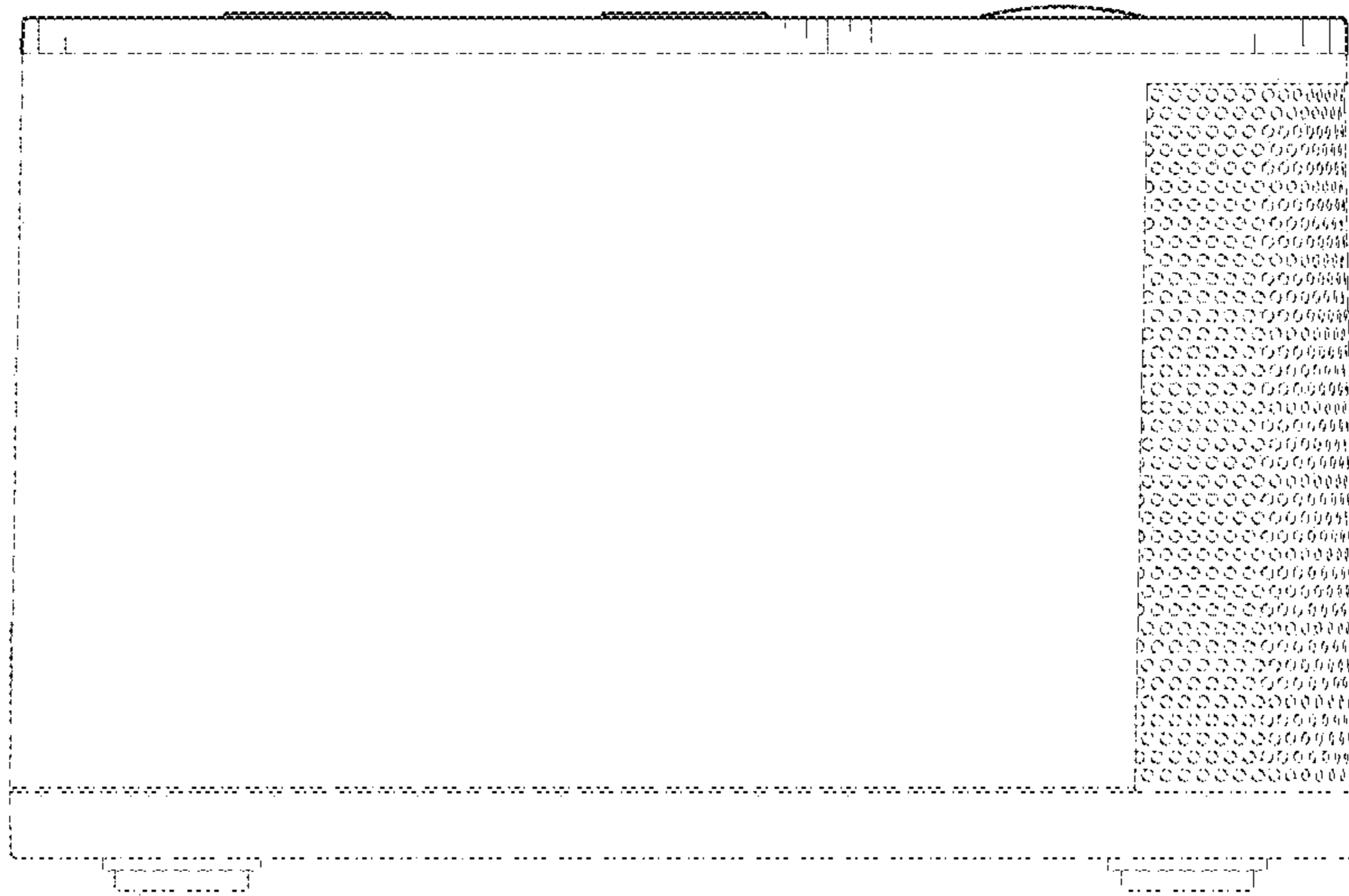


Fig. 6

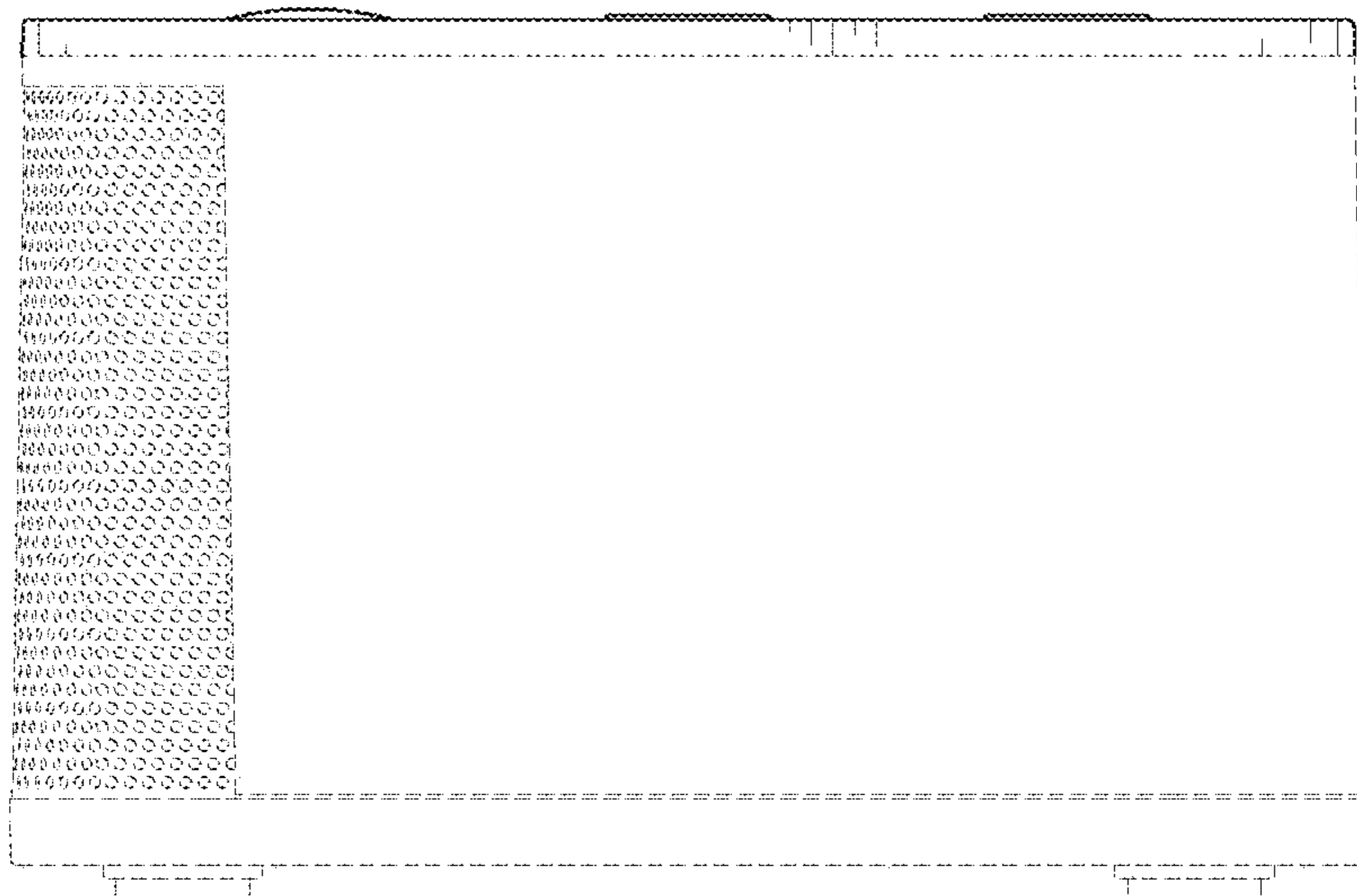


Fig. 7