



US00D886793S

(12) **United States Design Patent**
Roberts

(10) **Patent No.:** **US D886,793 S**
(45) **Date of Patent:** **** Jun. 9, 2020**

(54) **PORTABLE WIRELESS LOUDSPEAKER**

(71) Applicant: **James Roberts**, St Martin (JE)

(72) Inventor: **James Roberts**, St Martin (JE)

(73) Assignee: **Flashbay Electronics Hong Kong Limited**, Hong Kong (HK)

(**) Term: **15 Years**

(21) Appl. No.: **29/658,548**

(22) Filed: **Aug. 1, 2018**

(51) **LOC (12) Cl.** **14-01**

(52) **U.S. Cl.**
USPC **D14/204**

(58) **Field of Classification Search**
USPC D14/188, 192, 203.1–203.8, 204,
D14/210–213, 215, 216, 348; 181/143,
181/144, 148, 153, 157, 198, 199;
369/6–12; 381/300–303, 361–364, 366,
381/386–388

CPC H04R 1/02; H04R 1/021; H04R 1/025;
H04R 1/026; H04R 5/00; H04R 9/06;
H04R 19/013; H04R 2400/00

See application file for complete search history.

(56) **References Cited**

U.S. PATENT DOCUMENTS

D617,314 S * 6/2010 Zha D14/216
D678,284 S * 3/2013 Coulter D14/412

D719,138 S * 12/2014 Schwartz D14/216
D728,525 S * 5/2015 Zhang D14/216
D742,359 S * 11/2015 Zhao D14/216
D760,697 S * 7/2016 Zhao D14/216
D769,225 S * 10/2016 Hua D14/216
D782,441 S * 3/2017 Morrison D14/204

* cited by examiner

Primary Examiner — Janice Patyk

(57) **CLAIM**

The ornamental design for a portable wireless loudspeaker, as shown and described.

DESCRIPTION

FIG. 1 is a front view of a portable wireless loudspeaker, showing my new design.

FIG. 2 is a rear view of the portable wireless loudspeaker.

FIG. 3 is left side view of the portable wireless loudspeaker.

FIG. 4 is a right side view of the portable wireless loudspeaker.

FIG. 5 is top view of the portable wireless loudspeaker.

FIG. 6 is a bottom view of the portable wireless loudspeaker.

FIG. 7 is a top, front, right side perspective view of the portable wireless loudspeaker; and,

FIG. 8 is a bottom, rear, right side perspective view of the portable wireless loudspeaker.

1 Claim, 2 Drawing Sheets

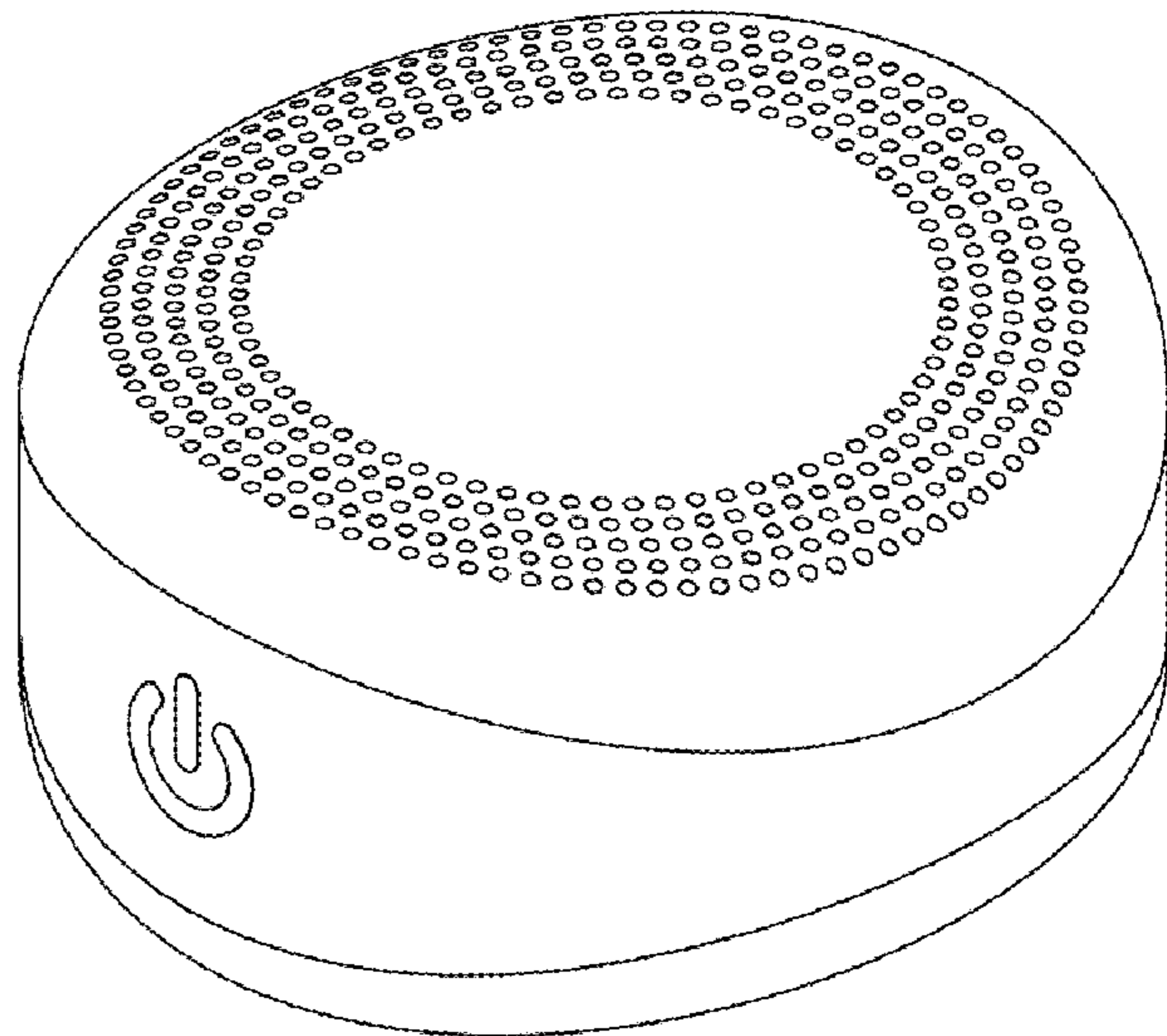
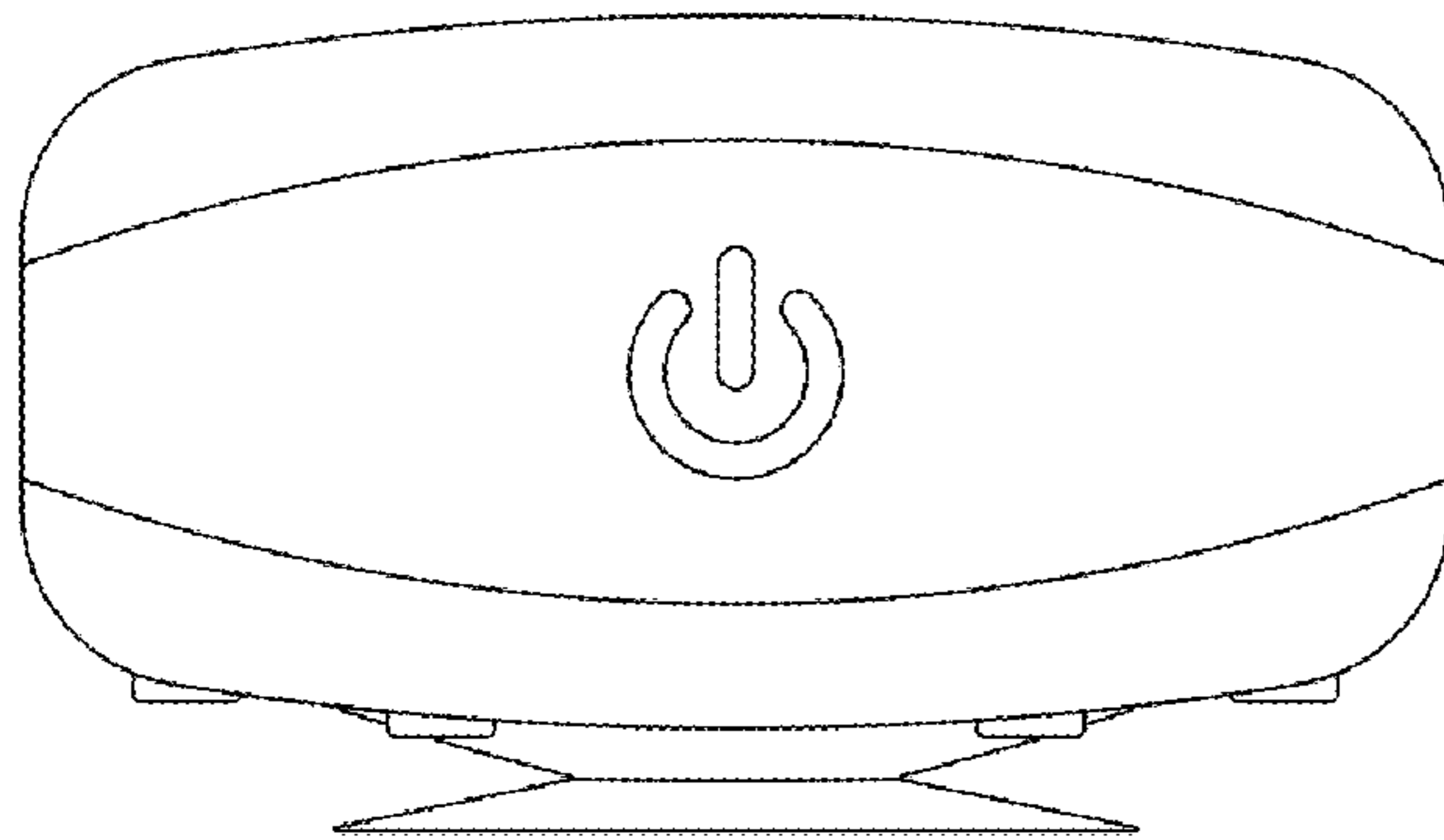


FIG.1

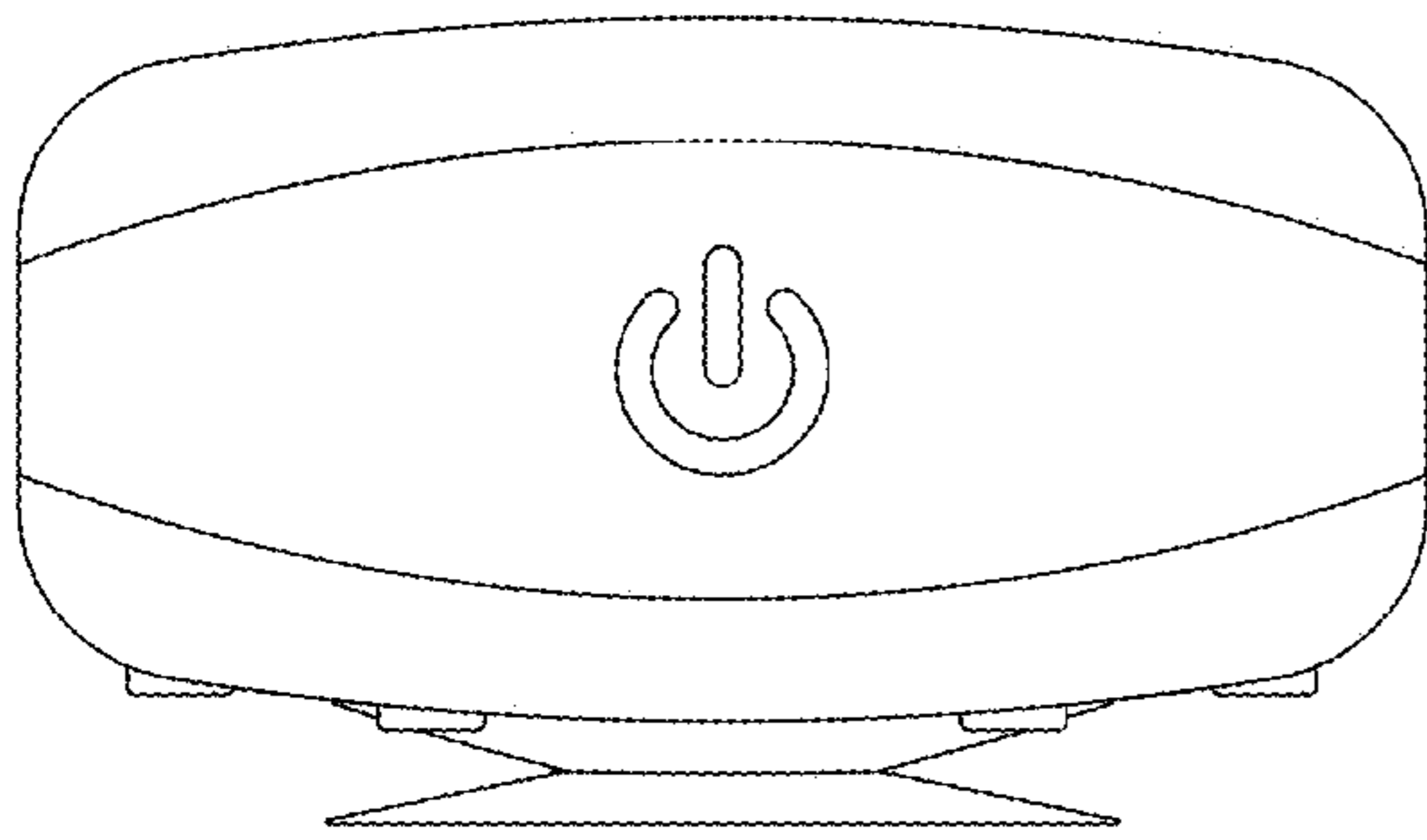


FIG.2

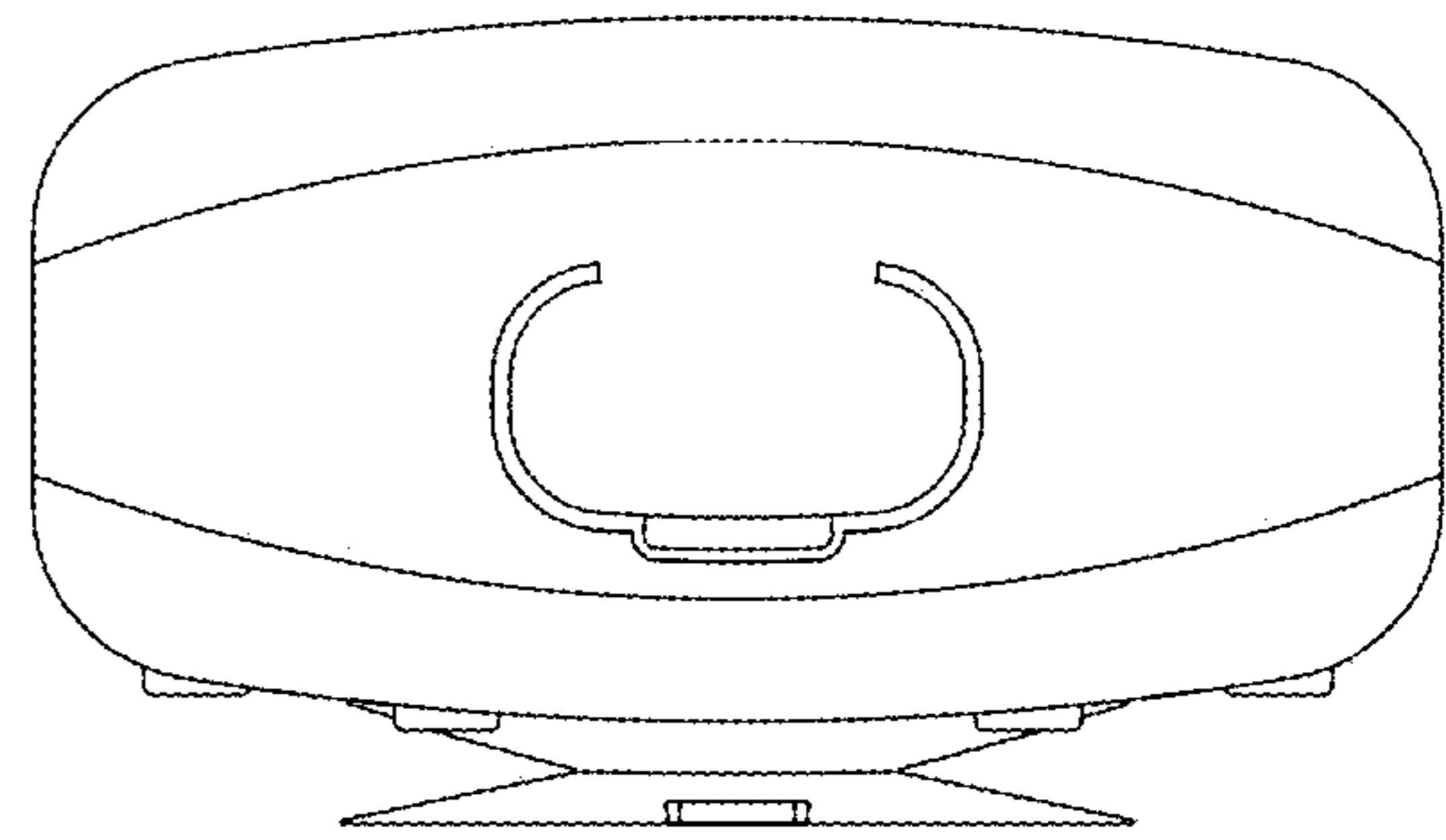


FIG.3

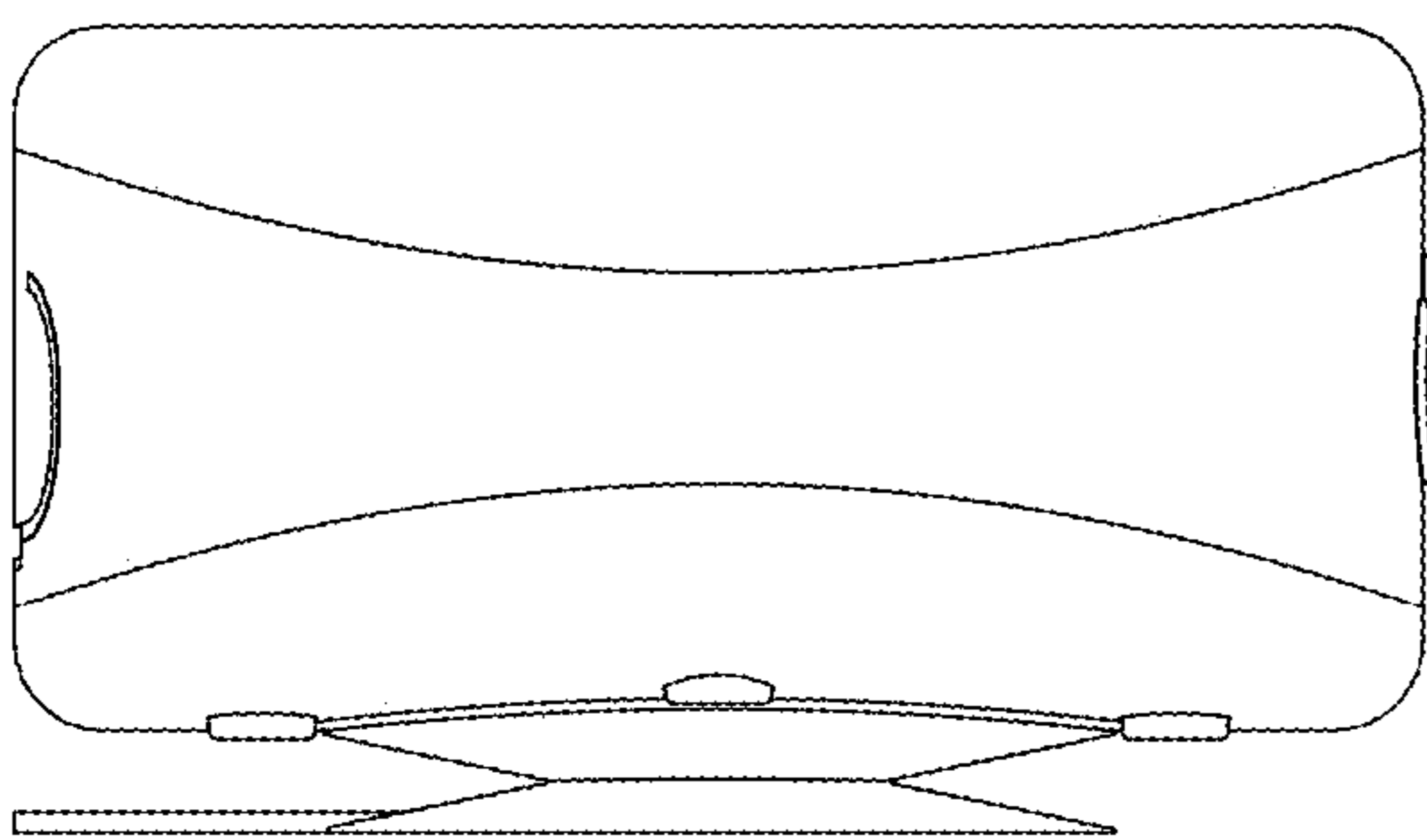


FIG.4

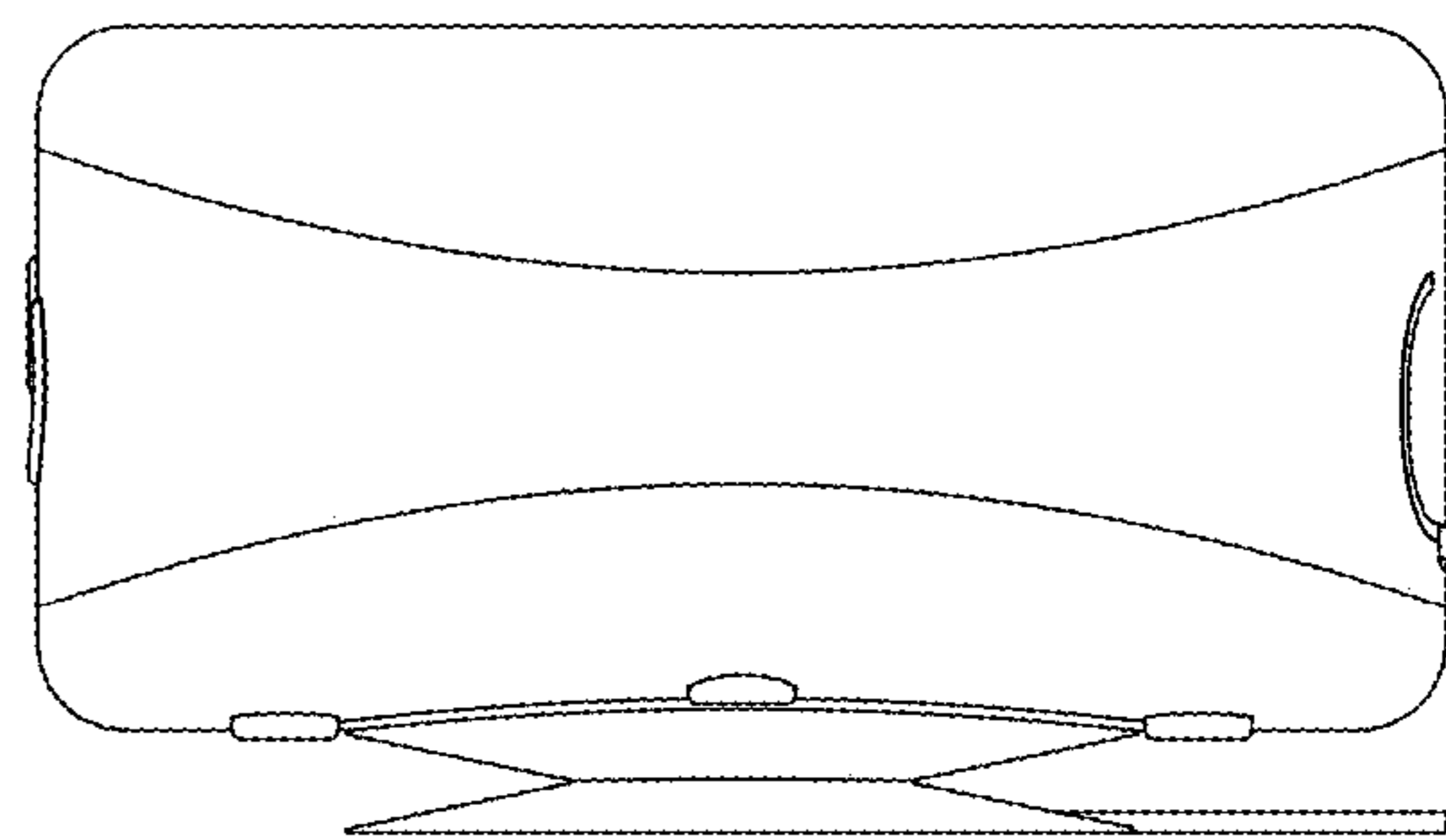


FIG.5

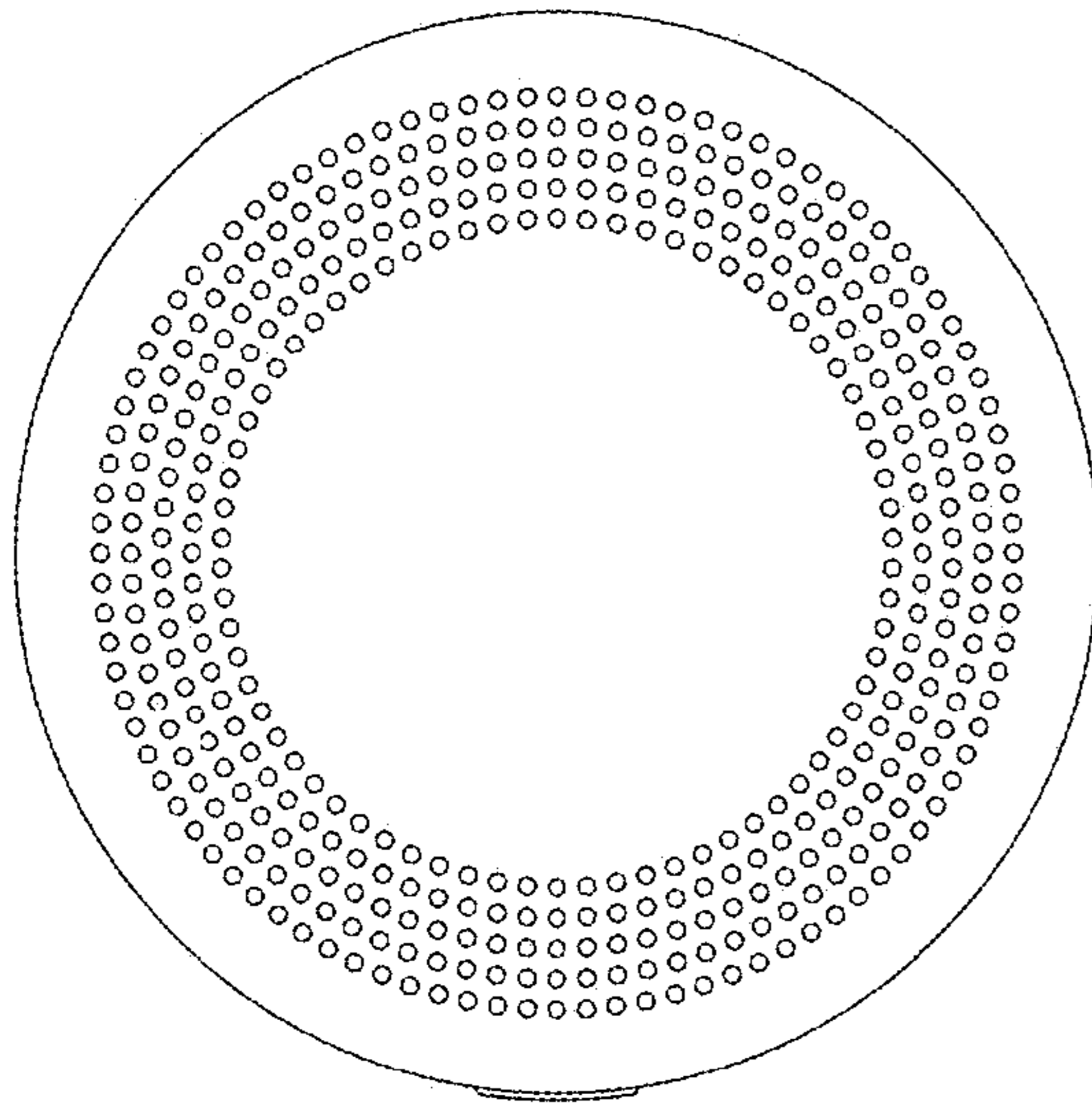


FIG.6

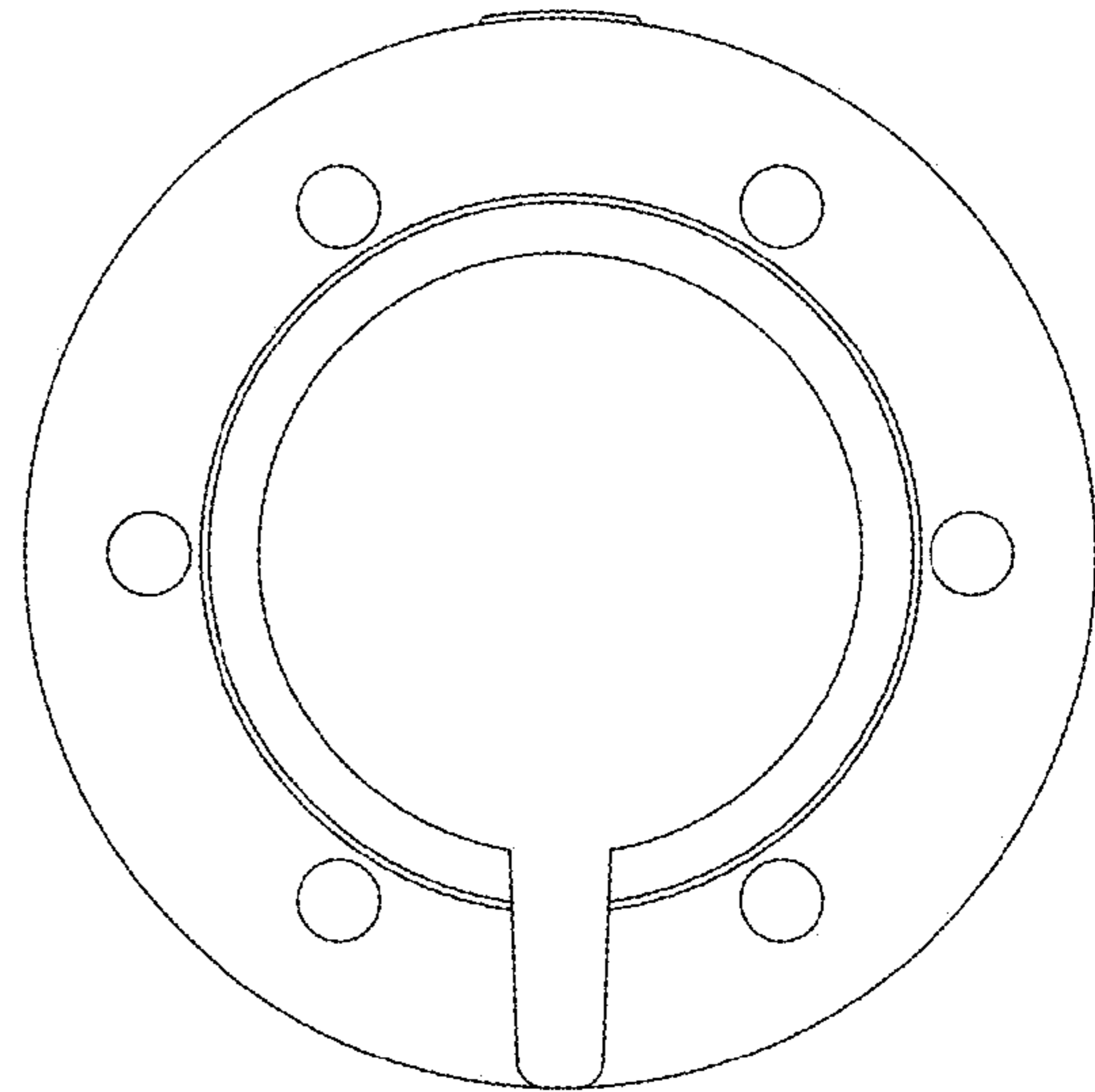


FIG.7

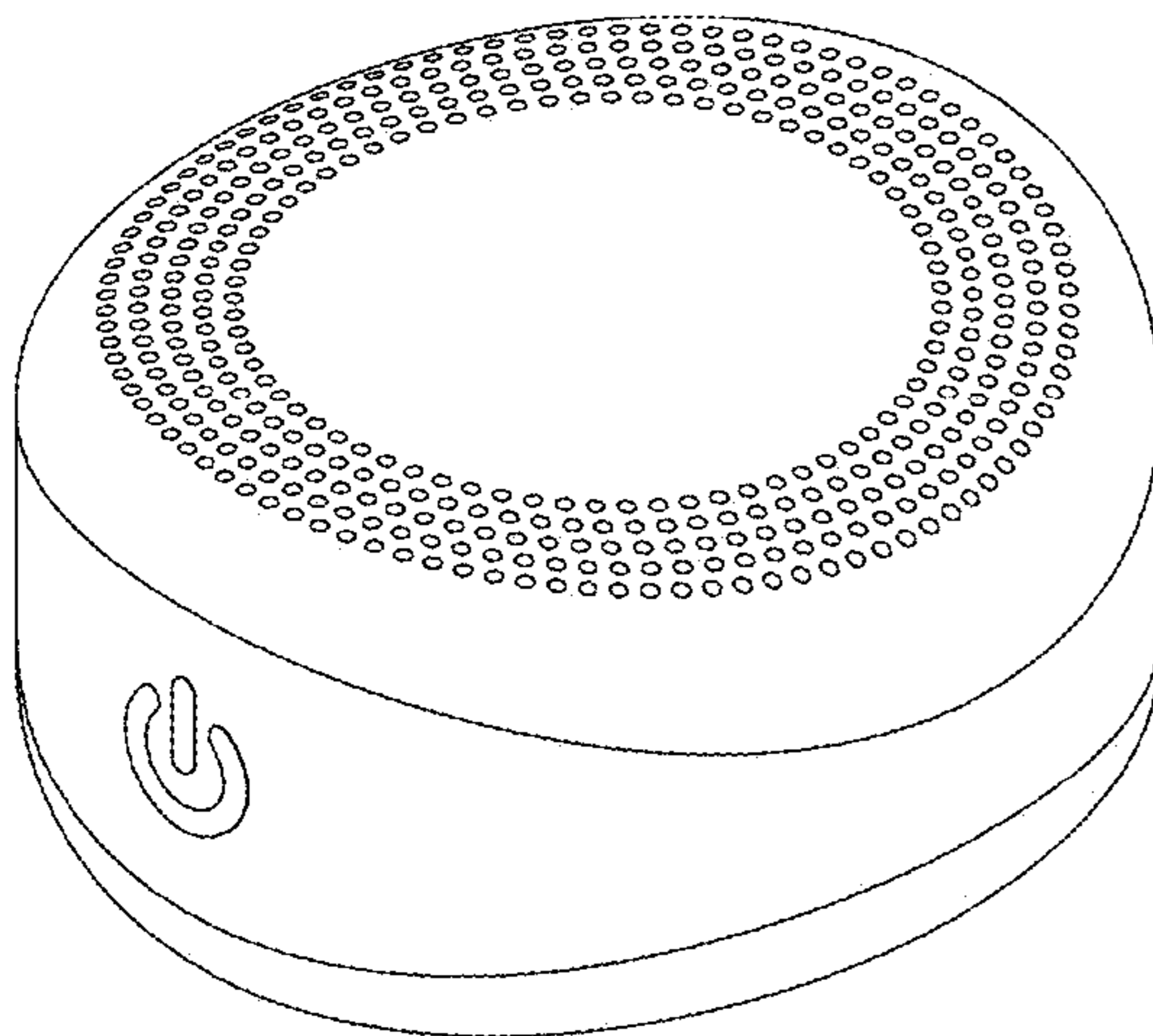


FIG.8

