



US00D886792S

(12) **United States Design Patent**
Kouthoofd

(10) **Patent No.:** **US D886,792 S**
(45) **Date of Patent:** **** Jun. 9, 2020**

(54) **SPEAKER**

(71) Applicant: **Inter IKEA Systems B.V.**, LN Delft
(NL)

(72) Inventor: **Jesper Kouthoofd**, Stockholm (SE)

(73) Assignee: **INTER IKEA SYSTEMS B.V.**, Delft
(NL)

(**) Term: **15 Years**

(21) Appl. No.: **29/656,917**

(22) Filed: **Jul. 17, 2018**

(30) **Foreign Application Priority Data**

Jan. 29, 2018 (EM) 004684835

(51) **LOC (12) Cl.** **14-01**

(52) **U.S. Cl.**
USPC **D14/204**

(58) **Field of Classification Search**
USPC D14/188, 192, 203.1–203.8, 204,
D14/210–213, 215, 216, 348; 181/143,
181/144, 148, 153, 157, 198, 199;
369/6–12; 381/300–303, 361–364, 366,
381/386–388

CPC H04R 1/02; H04R 1/021; H04R 1/025;
H04R 1/026; H04R 5/00; H04R 9/06;
H04R 19/013; H04R 2400/00

See application file for complete search history.

(56) **References Cited**

U.S. PATENT DOCUMENTS

D440,219 S * 4/2001 Dysart D14/188
D617,313 S * 6/2010 Iseki D14/214

D647,505 S * 10/2011 Skurdal D14/209.1
D726,144 S * 4/2015 Kang D14/204
D728,515 S * 5/2015 Lee D14/209.1
D729,761 S * 5/2015 Hu D14/194
D752,541 S * 3/2016 Holzer D14/204
D755,160 S * 5/2016 Ponce D14/214

OTHER PUBLICATIONS

AYL Portable Bluetooth Speaker, announced Sep. 2015, [online],
site visited Jan. 23, 2020. Available from Internet, URL: <http://www.amazon.com> (Year: 2015).*

* cited by examiner

Primary Examiner — Janice Patyk

(74) *Attorney, Agent, or Firm* — Tucker Ellis LLP

(57) **CLAIM**

The ornamental design for a speaker, as shown and described.

DESCRIPTION

FIG. 1 is a perspective view of a speaker, showing my new design;

FIG. 2 is a front view thereof;

FIG. 3 is a rear view thereof;

FIG. 4 is a right side view thereof;

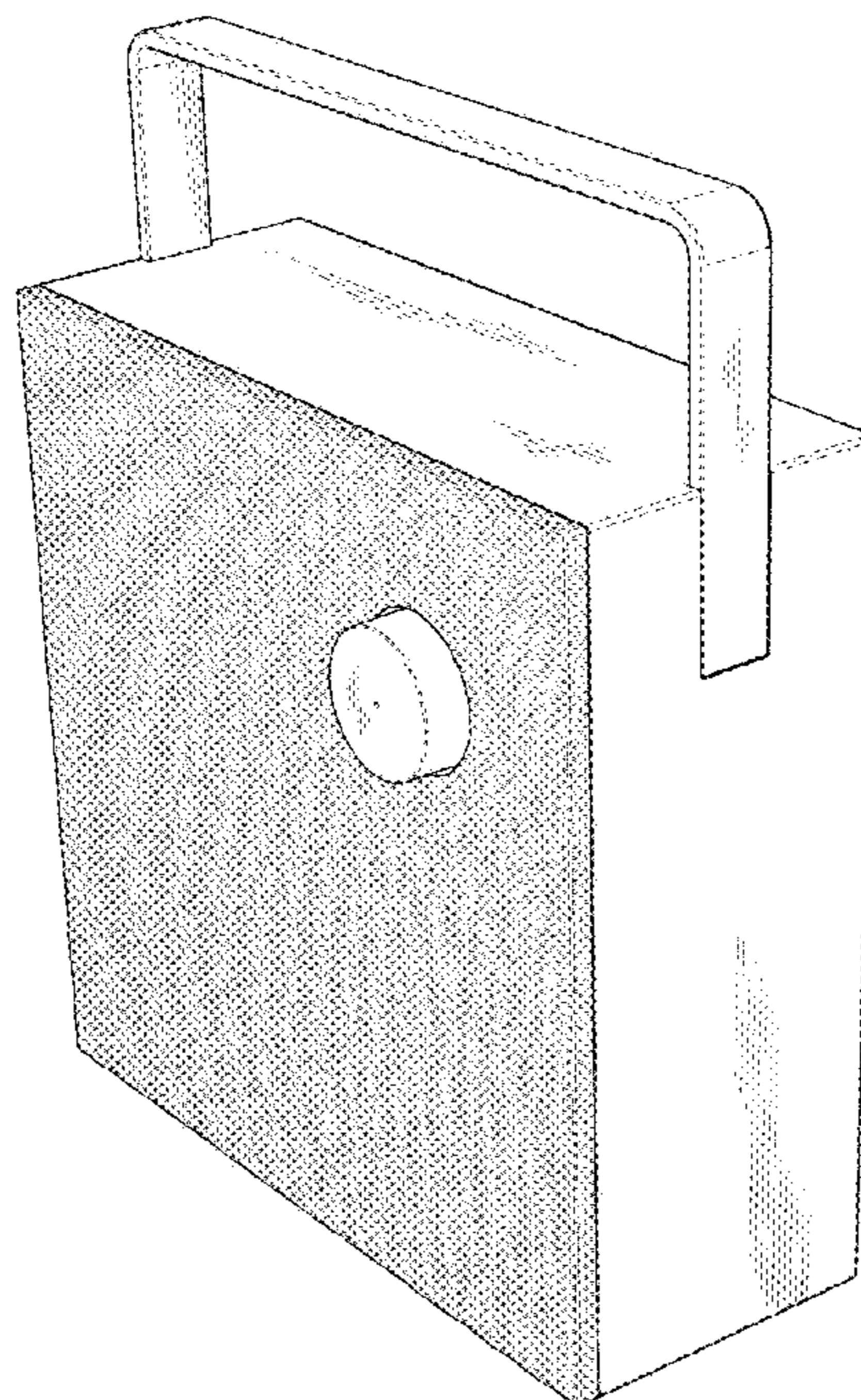
FIG. 5 is a left side view thereof;

FIG. 6 is a top view thereof; and,

FIG. 7 is a bottom view thereof.

The broken lines in the figures illustrate the portions of the design that form no part of the claimed design.

1 Claim, 5 Drawing Sheets



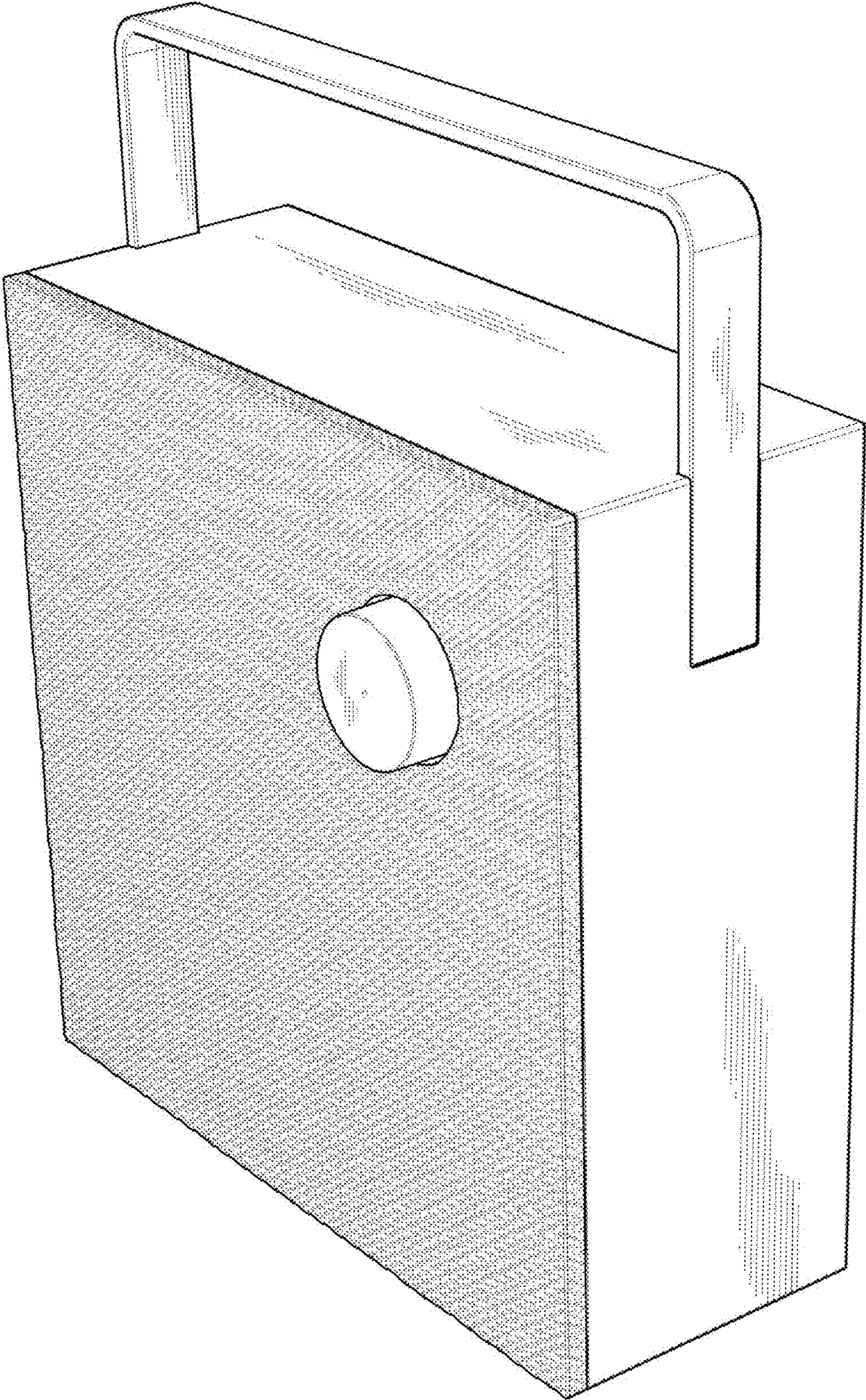


FIG. 1

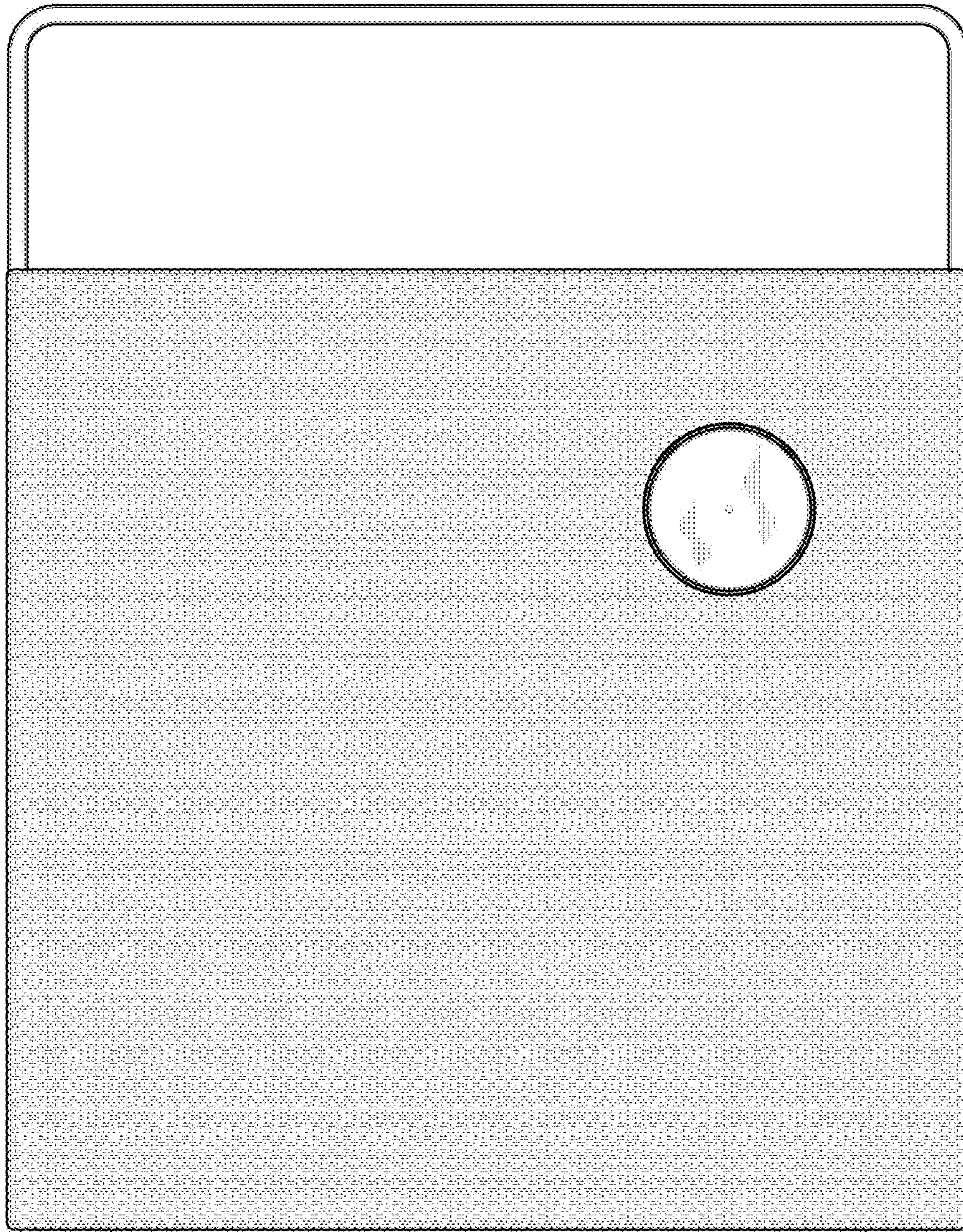


FIG. 2

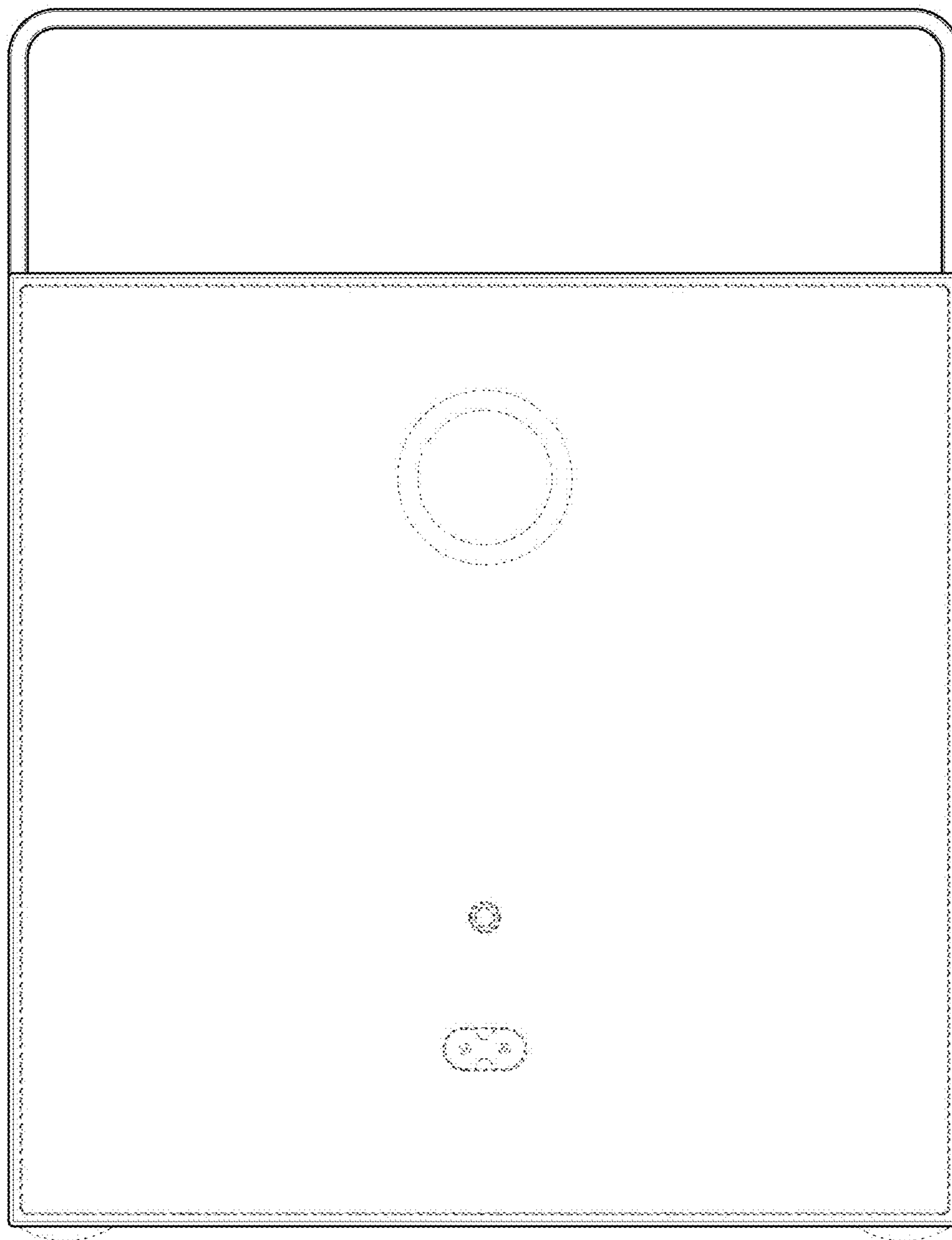


FIG. 3

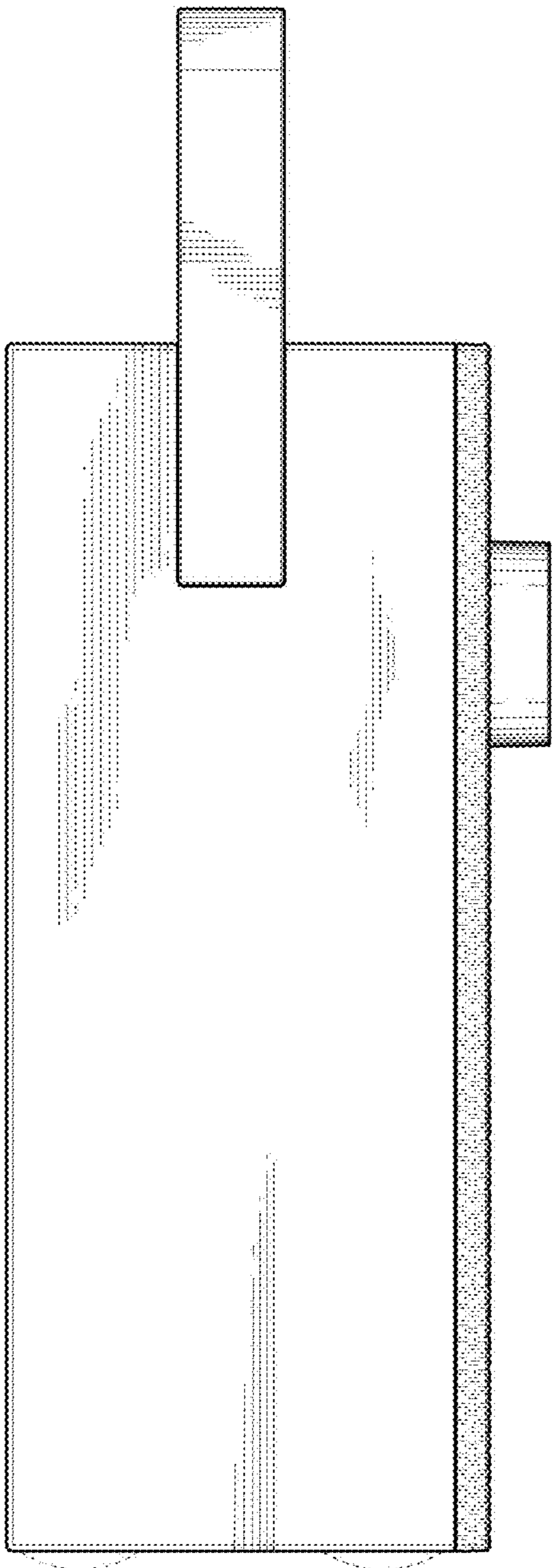


FIG. 4

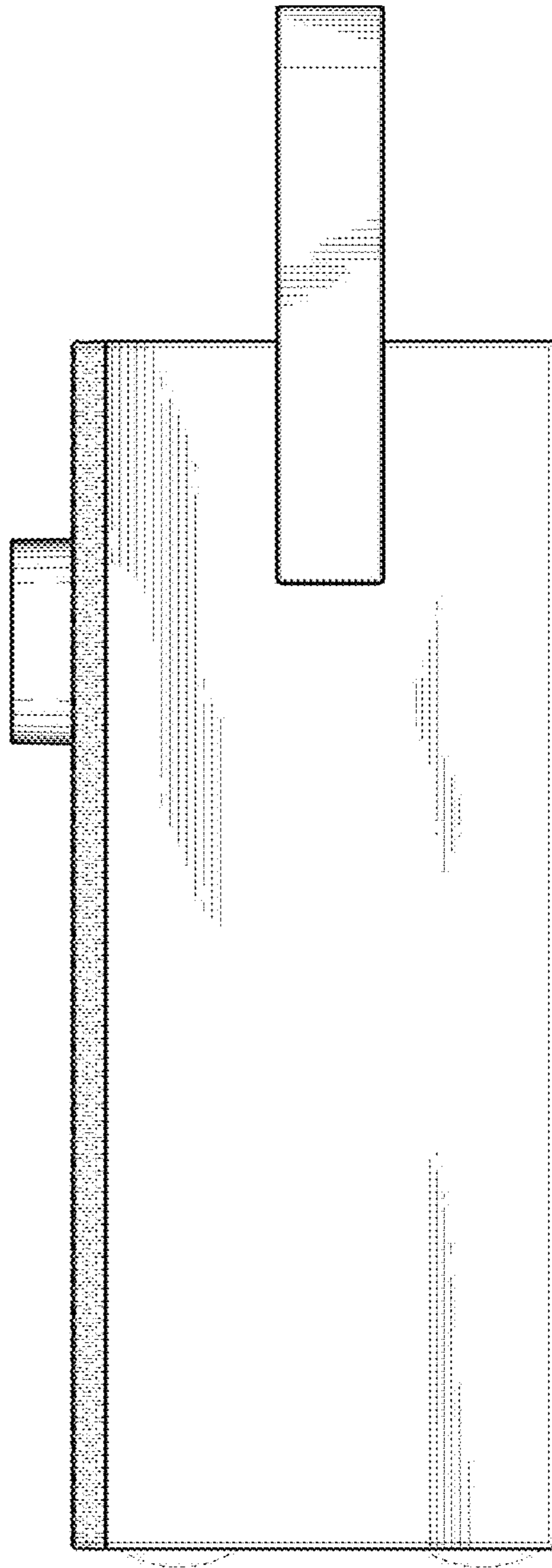


FIG. 5

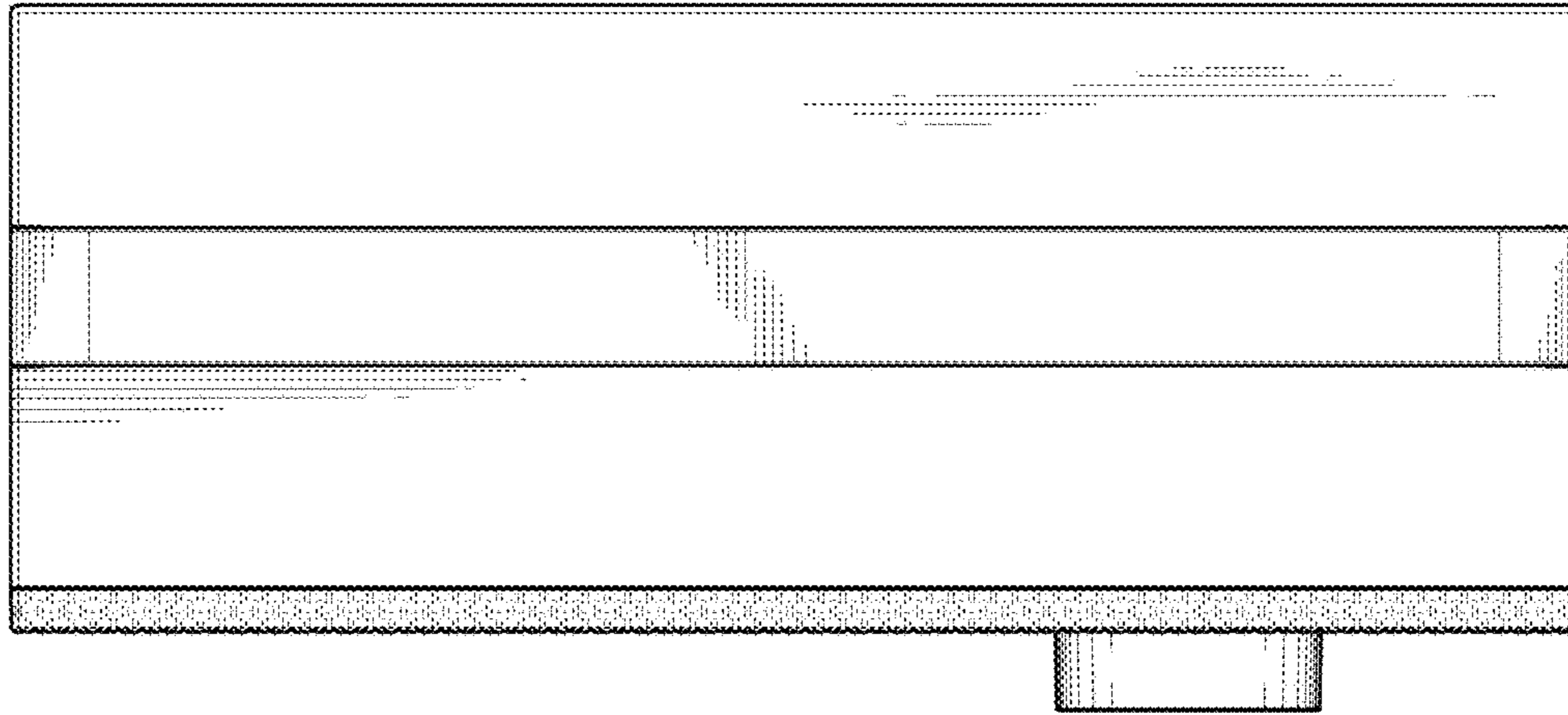


FIG. 6

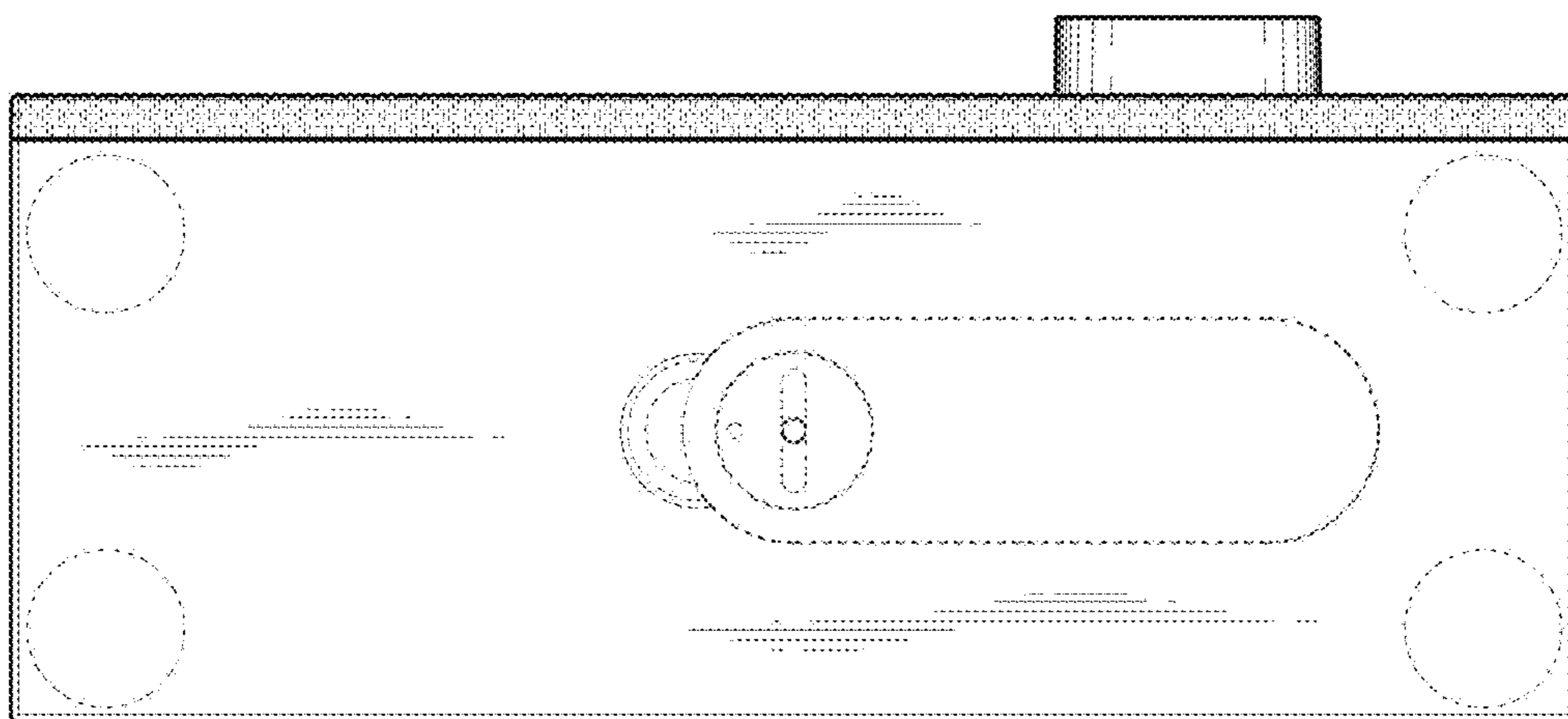


FIG. 7