



US00D886790S

(12) **United States Design Patent**  
**Yang**

(10) **Patent No.:** **US D886,790 S**

(45) **Date of Patent:** **\*\* Jun. 9, 2020**

- (54) **BLUETOOTH SPEAKER**
- (71) Applicant: **Yizhen Yang**, Shenzhen (CN)
- (72) Inventor: **Yizhen Yang**, Shenzhen (CN)
- (\*\*) Term: **15 Years**
- (21) Appl. No.: **29/655,211**
- (22) Filed: **Jun. 30, 2018**
- (51) **LOC (12) Cl.** ..... **14-01**
- (52) **U.S. Cl.**  
USPC ..... **D14/204**
- (58) **Field of Classification Search**  
USPC ..... D14/188, 203.1–203.8, 204, 210–213,  
D14/215, 216; 181/143, 144, 148, 153,  
181/157, 198, 199; 369/6–12;  
381/300–303, 361–364, 366, 386–388  
CPC ..... H04R 1/02; H04R 1/021; H04R 1/025;  
H04R 1/026; H04R 5/00; H04R 9/06;  
H04R 19/013; H04R 2400/00  
See application file for complete search history.

- D689,845 S \* 9/2013 Nylen ..... D14/215
- D690,287 S \* 9/2013 Belfanti ..... D14/214
- D726,150 S \* 4/2015 Shih ..... D14/214

\* cited by examiner

*Primary Examiner* — Janice Patyk

(74) *Attorney, Agent, or Firm* — HYIP

(57) **CLAIM**

The ornamental design for a Bluetooth speaker, as shown and described.

**DESCRIPTION**

FIG. 1 is a top perspective view of a Bluetooth speaker, showing my new design;  
 FIG. 2 is a bottom perspective view thereof;  
 FIG. 3 is a front view thereof;  
 FIG. 4 is a back view thereof;  
 FIG. 5 is a left side view thereof;  
 FIG. 6 is a right side view thereof;  
 FIG. 7 is a top view of thereof;  
 FIG. 8 is a bottom view of thereof;  
 FIG. 9 is a partially enlarged top perspective view thereof, taken from FIG. 1; and,  
 FIG. 10 is a partially enlarged left side view thereof taken from FIG. 5.

The broken lines in the figures illustrate the portions of the design that form no part of the claimed design.

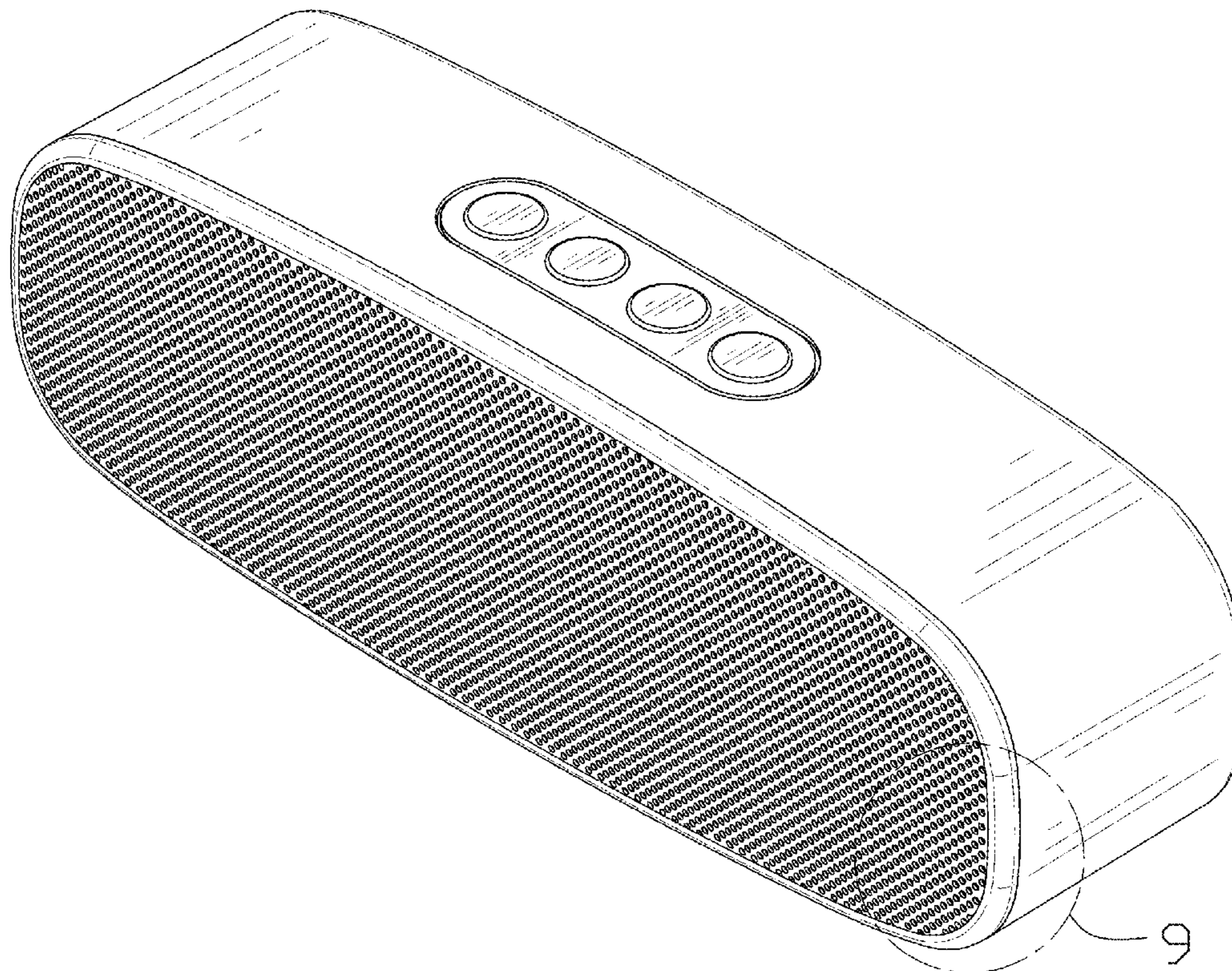
The dot-dash broken lines of FIGS. 1, 5, 9, and 10 are included to show partially enlarged views only and form no part of the claimed design.

**1 Claim, 10 Drawing Sheets**

(56) **References Cited**

**U.S. PATENT DOCUMENTS**

- D480,383 S \* 10/2003 Bolton ..... D14/214
- D573,584 S \* 7/2008 Kim ..... D14/211
- D659,670 S \* 5/2012 Goetzen ..... D14/194
- D672,748 S \* 12/2012 Burlingame, III ..... D14/214
- D674,779 S \* 1/2013 Joseph ..... D14/214
- D681,010 S \* 4/2013 Cho ..... D14/215



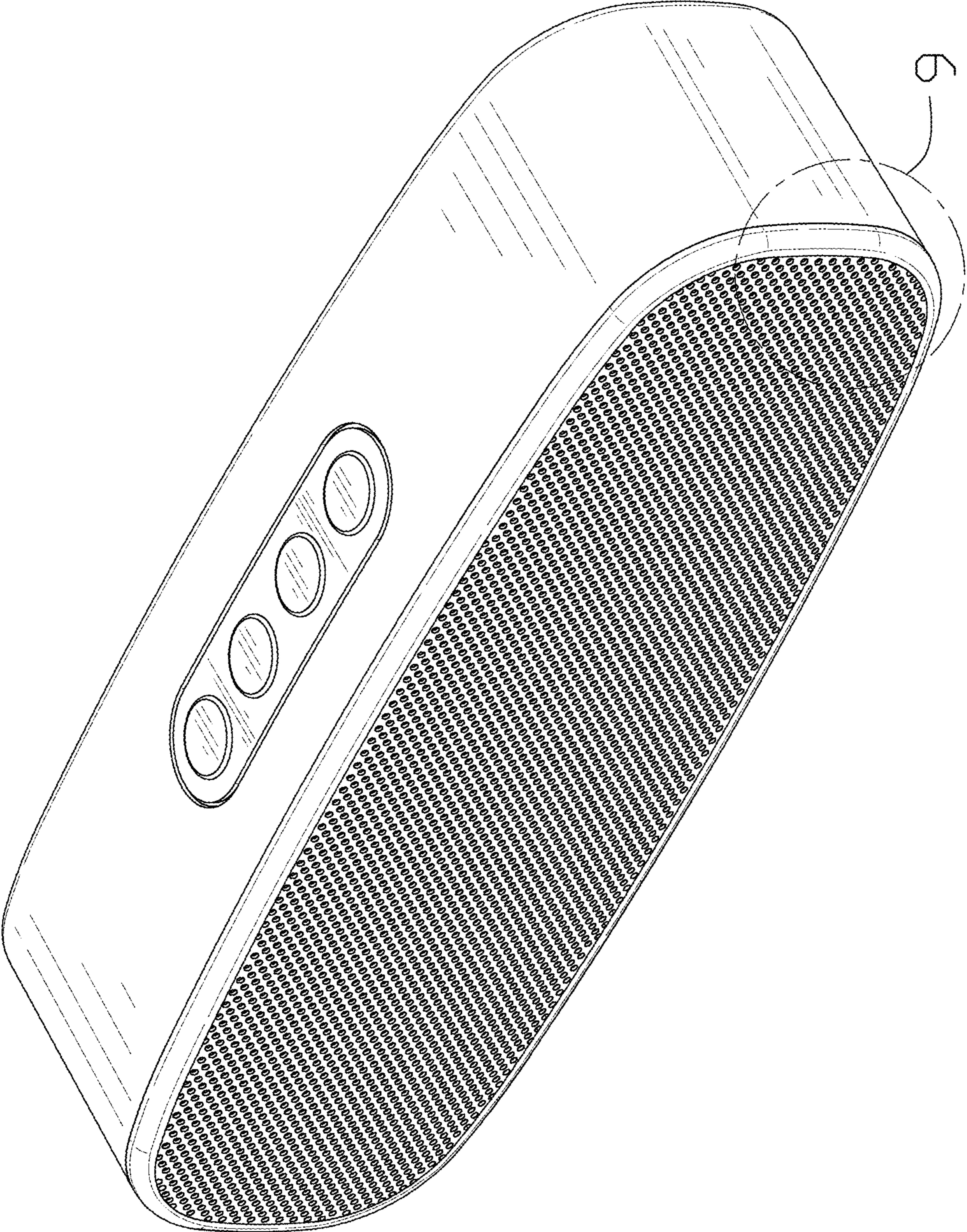


FIG. 1

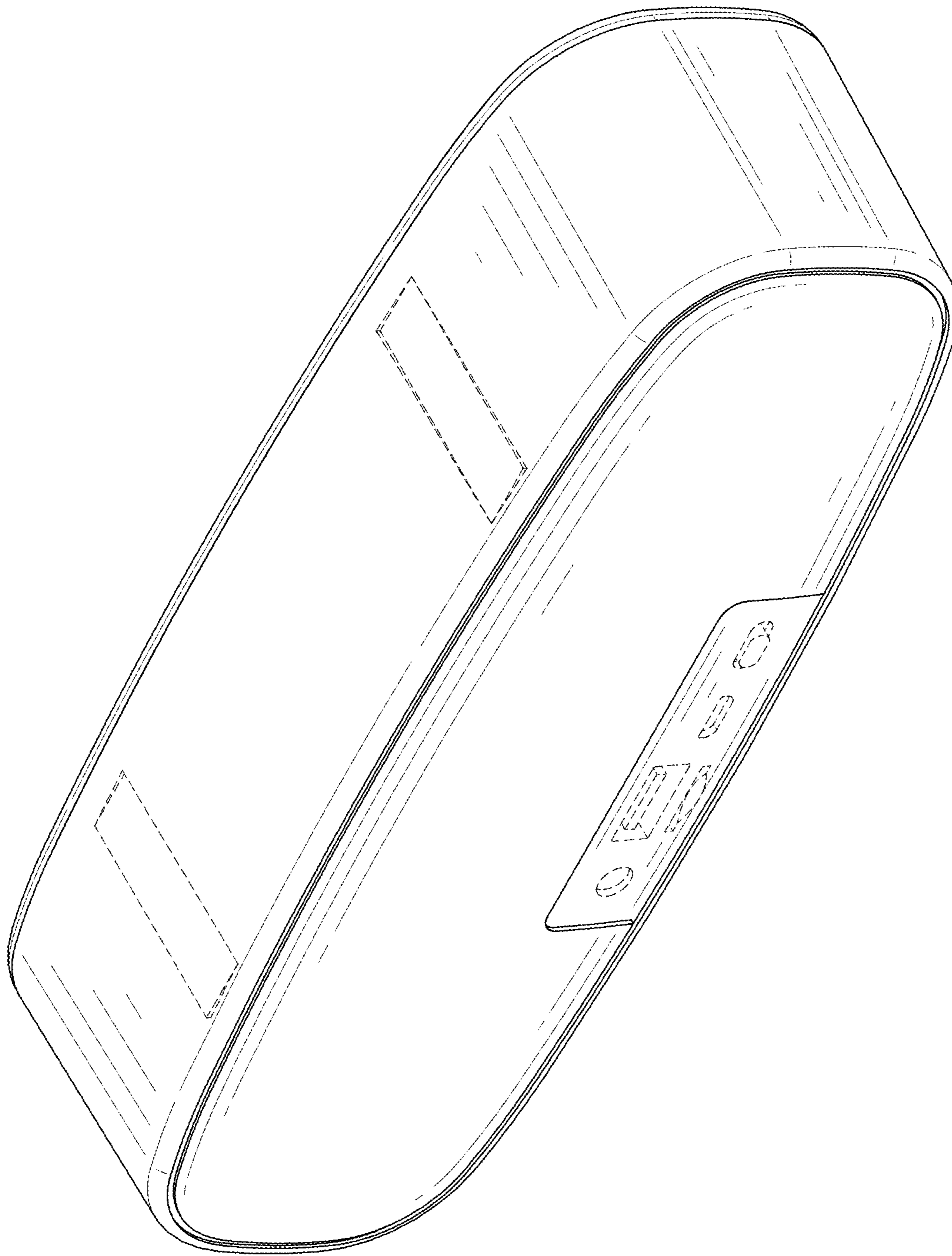


FIG. 2

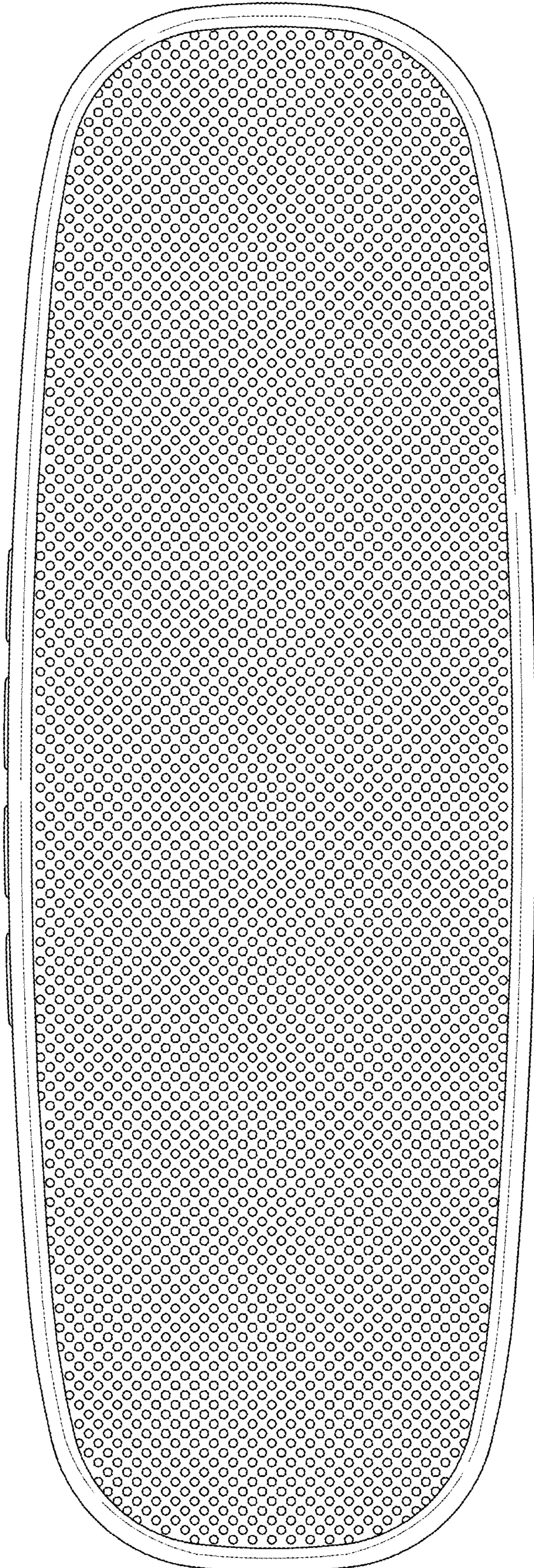


FIG. 3

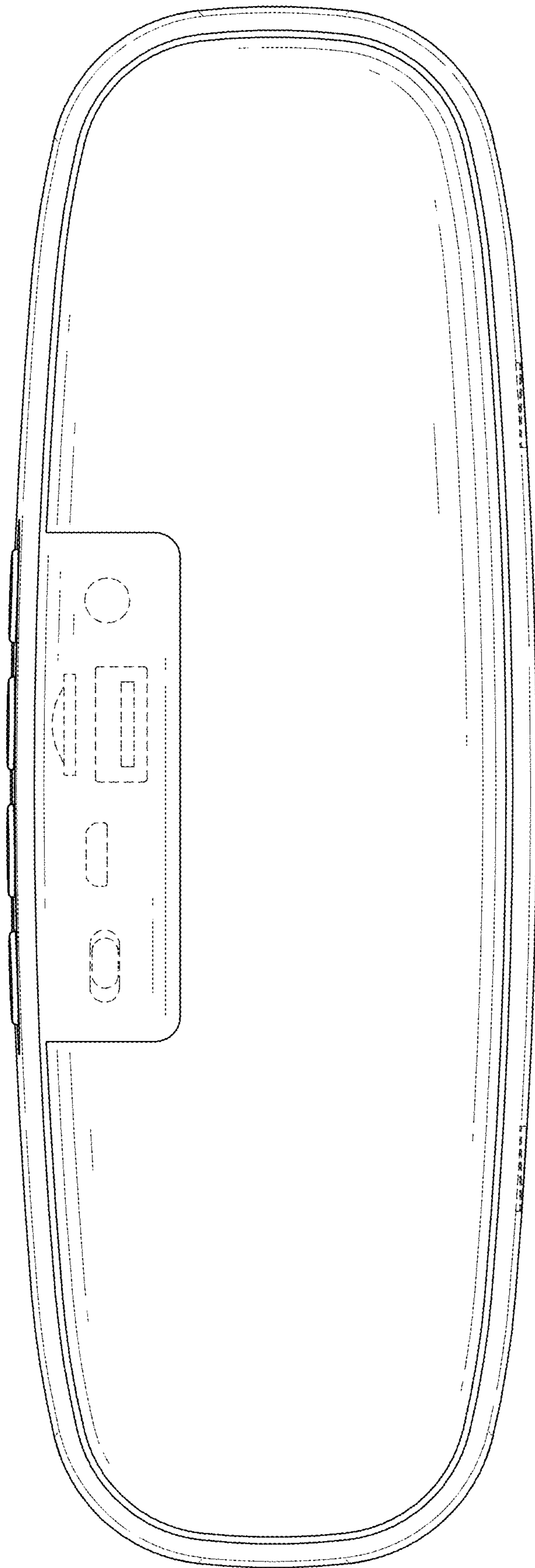


FIG. 4

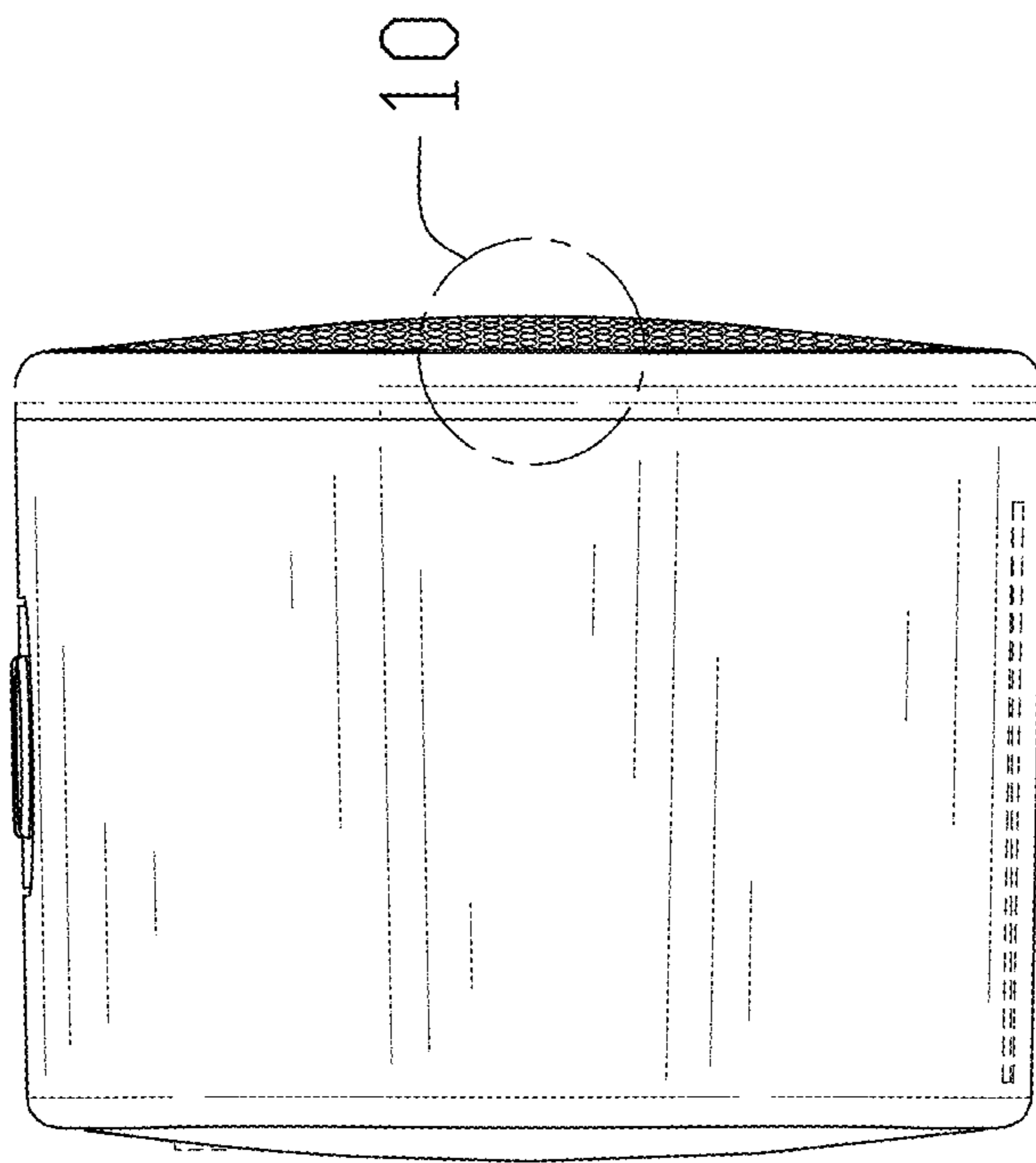


FIG. 5

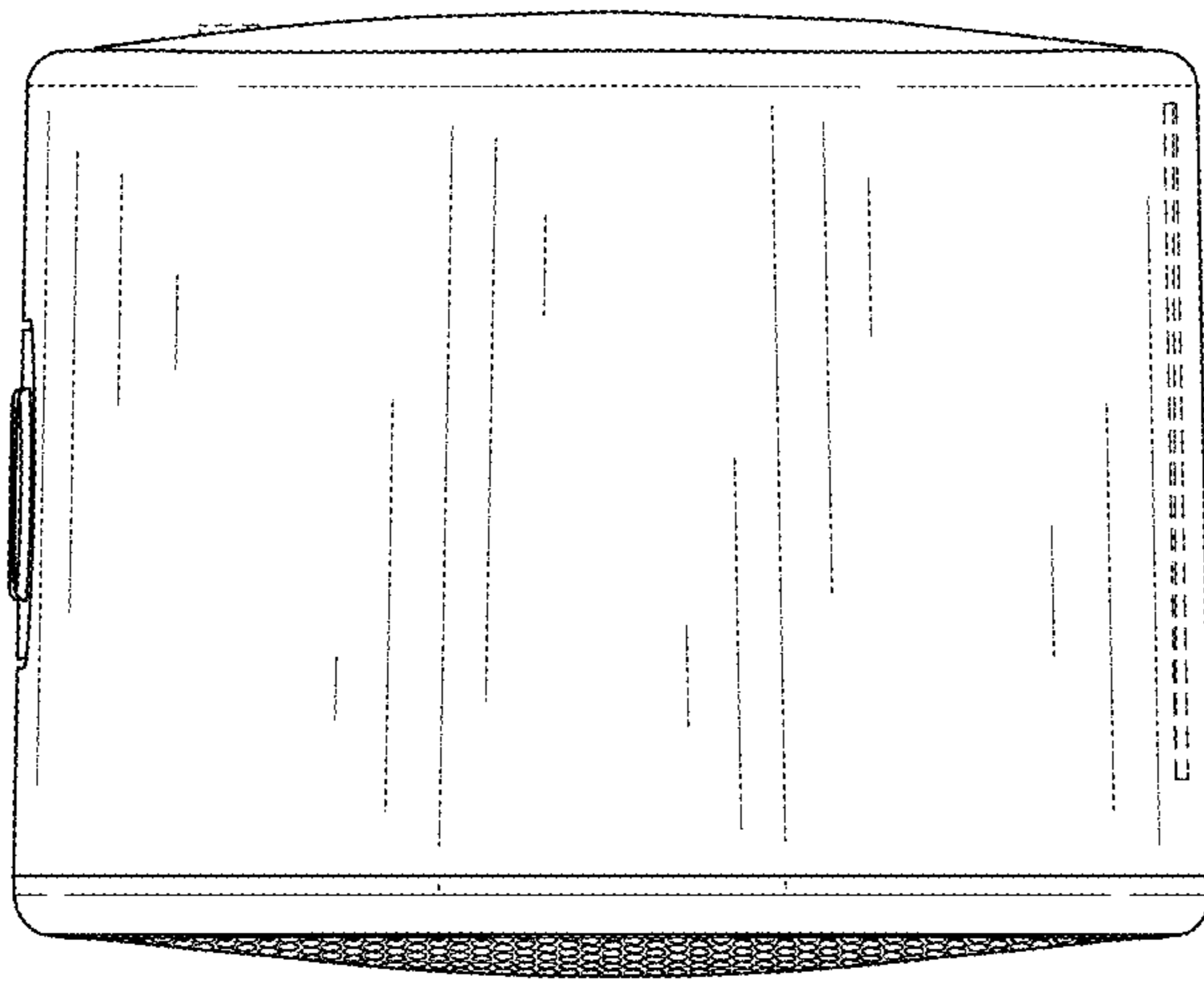


FIG. 6

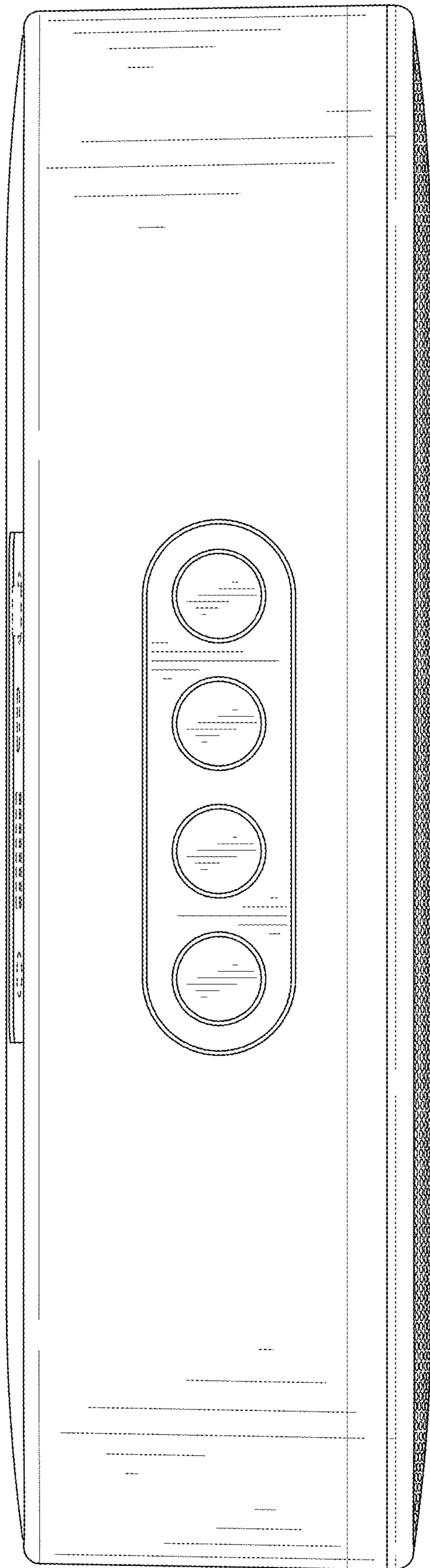


FIG. 7



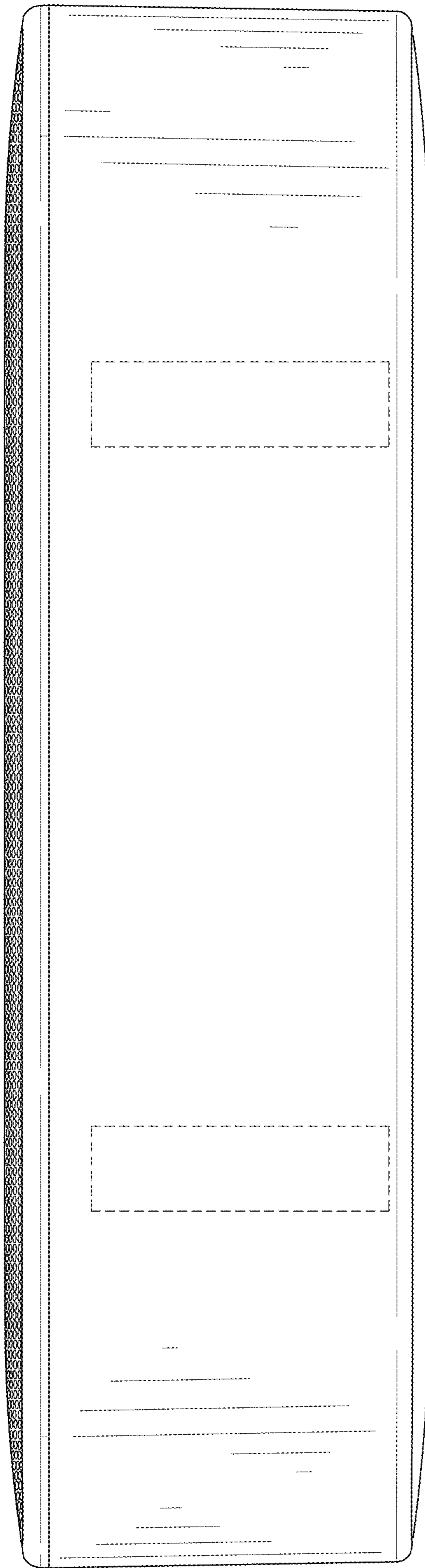


FIG. 8

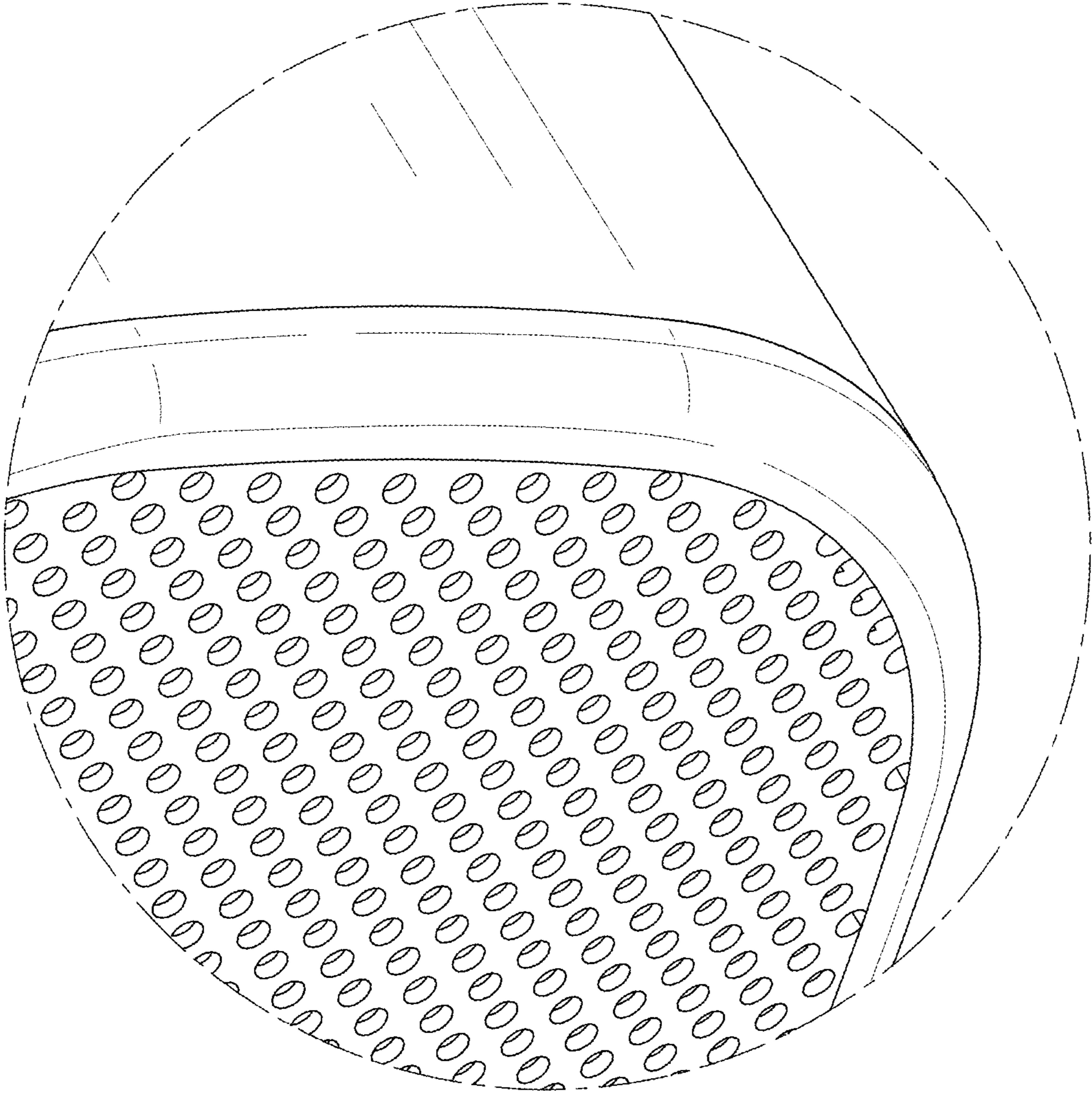


FIG. 9

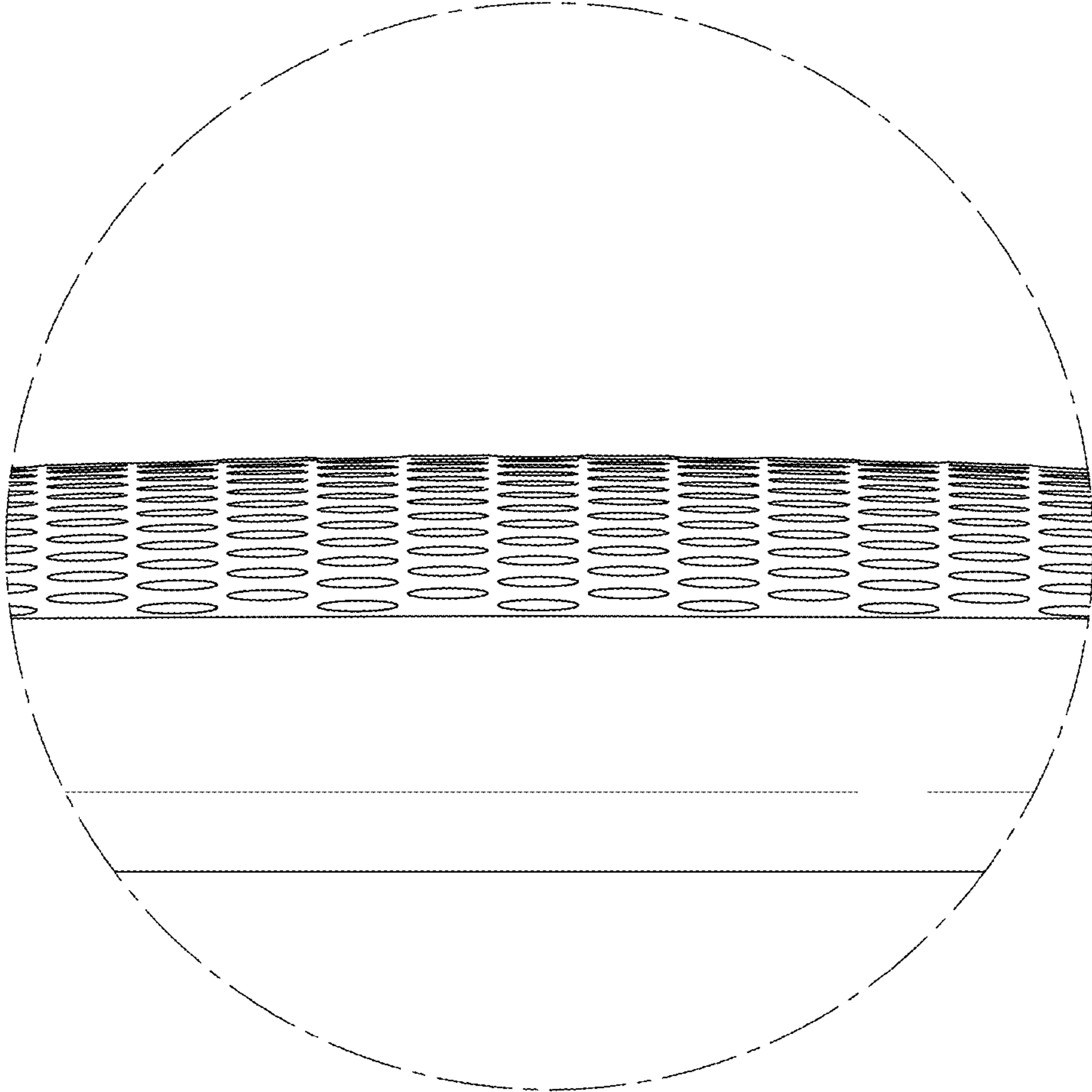


FIG. 10