



US00D886789S

(12) **United States Design Patent**
Huang

(10) **Patent No.:** **US D886,789 S**

(45) **Date of Patent:** **** Jun. 9, 2020**

(54) **BLUETOOTH SPEAKER**

(71) Applicant: **Yurui Huang**, Shenzhen (CN)

(72) Inventor: **Yurui Huang**, Shenzhen (CN)

(**) Term: **15 Years**

(21) Appl. No.: **29/655,209**

(22) Filed: **Jun. 30, 2018**

(51) **LOC (12) Cl.** **14-01**

(52) **U.S. Cl.**
USPC **D14/204**

(58) **Field of Classification Search**
USPC D14/188, 203.1–203.8, 204, 210–213,
D14/215, 216; 181/143, 144, 148, 153,
181/157, 198, 199; 369/6–12;
381/300–303, 361–364, 366, 386–388
CPC H04R 1/02; H04R 1/021; H04R 1/025;
H04R 1/026; H04R 5/00; H04R 9/06;
H04R 19/013; H04R 2400/00
See application file for complete search history.

(56) **References Cited**

U.S. PATENT DOCUMENTS

D557,256 S * 12/2007 Joseph D14/214
D581,399 S * 11/2008 Andre D14/214

D621,384 S * 8/2010 Kao D14/214
D636,759 S * 4/2011 Chen D14/214
D708,228 S * 7/2014 Fustino D14/203.1
D715,258 S * 10/2014 Osborn D14/212
D741,839 S * 10/2015 Osborn D14/214
D753,185 S * 4/2016 Ryu D14/496
D781,263 S * 3/2017 Tong D14/204
D781,264 S * 3/2017 Kim D14/204
D783,433 S * 4/2017 Kalyan D10/106.2
D790,539 S * 6/2017 Lee D14/240

* cited by examiner

Primary Examiner — Janice Patyk

(74) *Attorney, Agent, or Firm* — HYIP

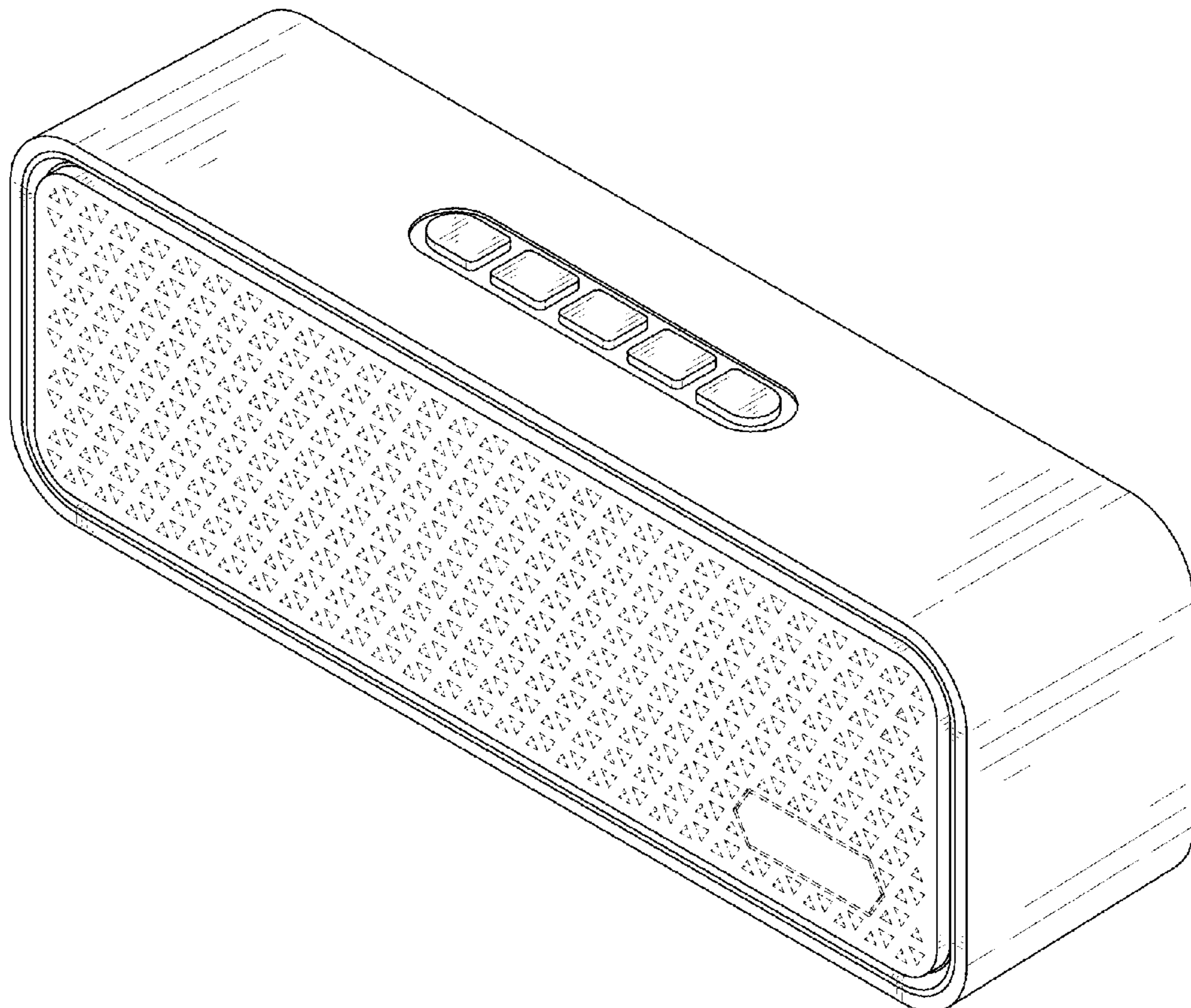
(57) **CLAIM**

The ornamental design for a bluetooth speaker, as shown and described.

DESCRIPTION

FIG. 1 is a top perspective view of a bluetooth speaker, showing my new design;
FIG. 2 is a bottom perspective view thereof;
FIG. 3 is a front view thereof;
FIG. 4 is a back view thereof;
FIG. 5 is a left side view thereof;
FIG. 6 is a right side view thereof;
FIG. 7 is a top view thereof; and,
FIG. 8 is a bottom view thereof.
The broken lines in the figures illustrate the portions of the design that form no part of the claimed design.

1 Claim, 8 Drawing Sheets



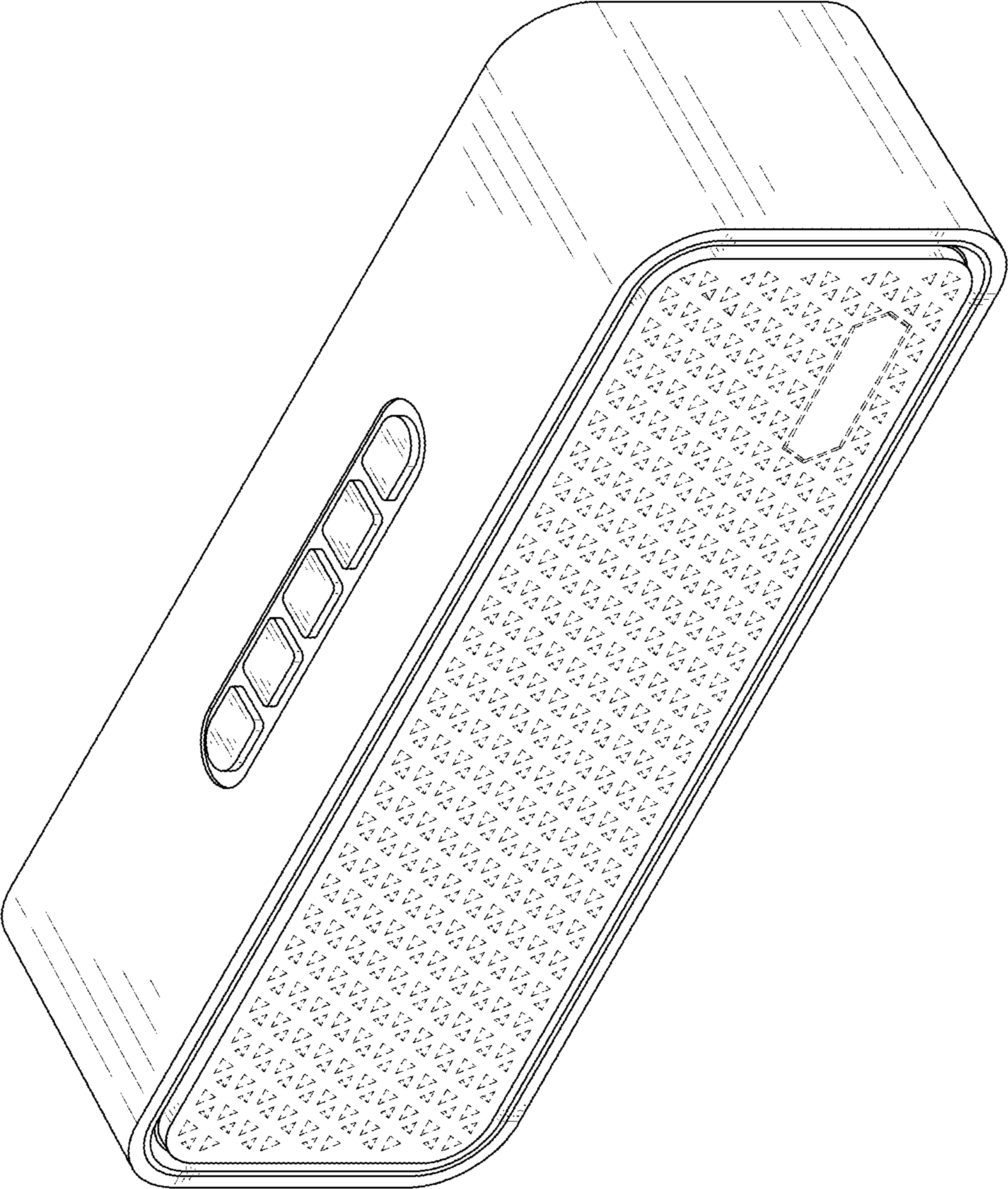


FIG. 1

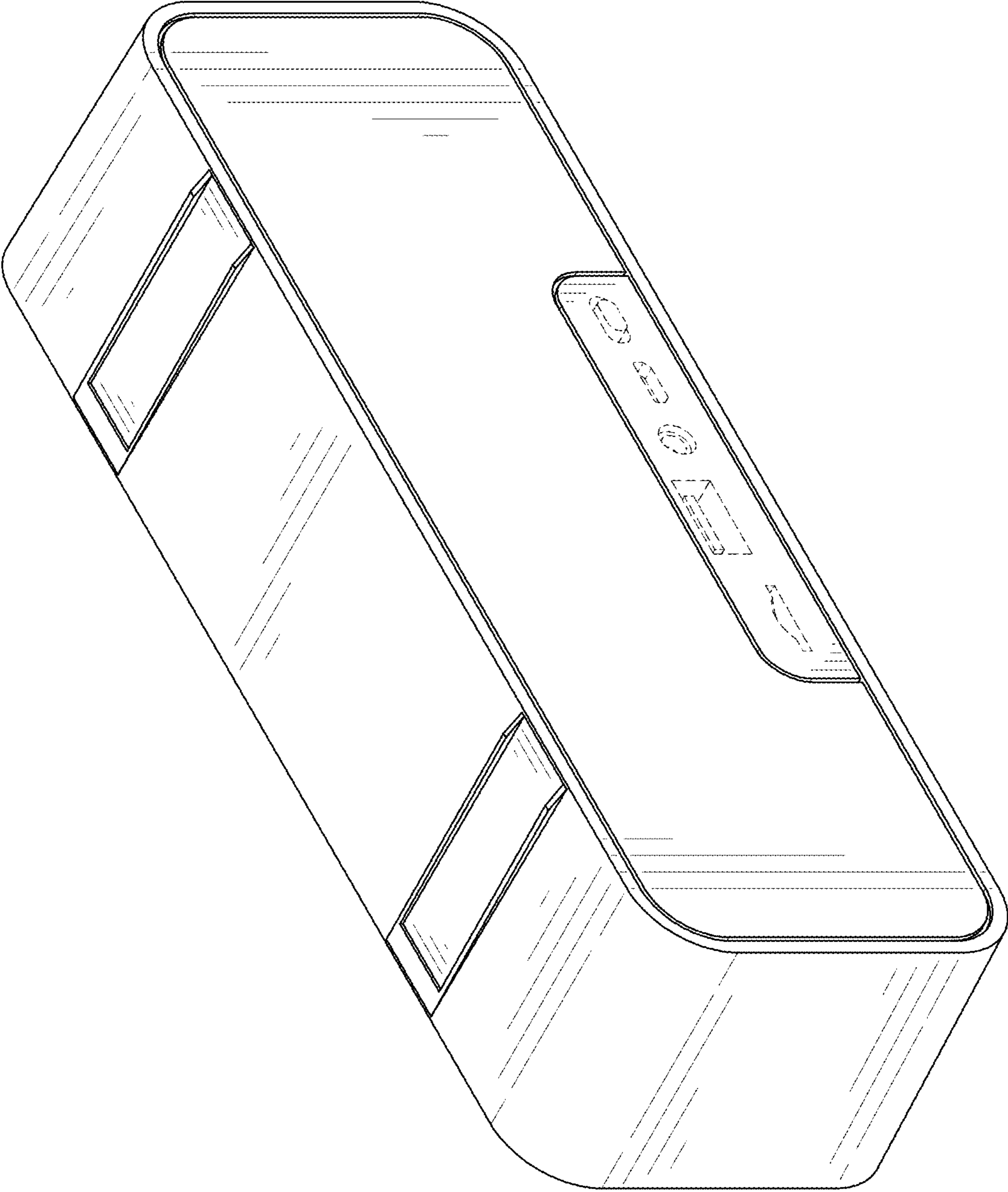


FIG. 2

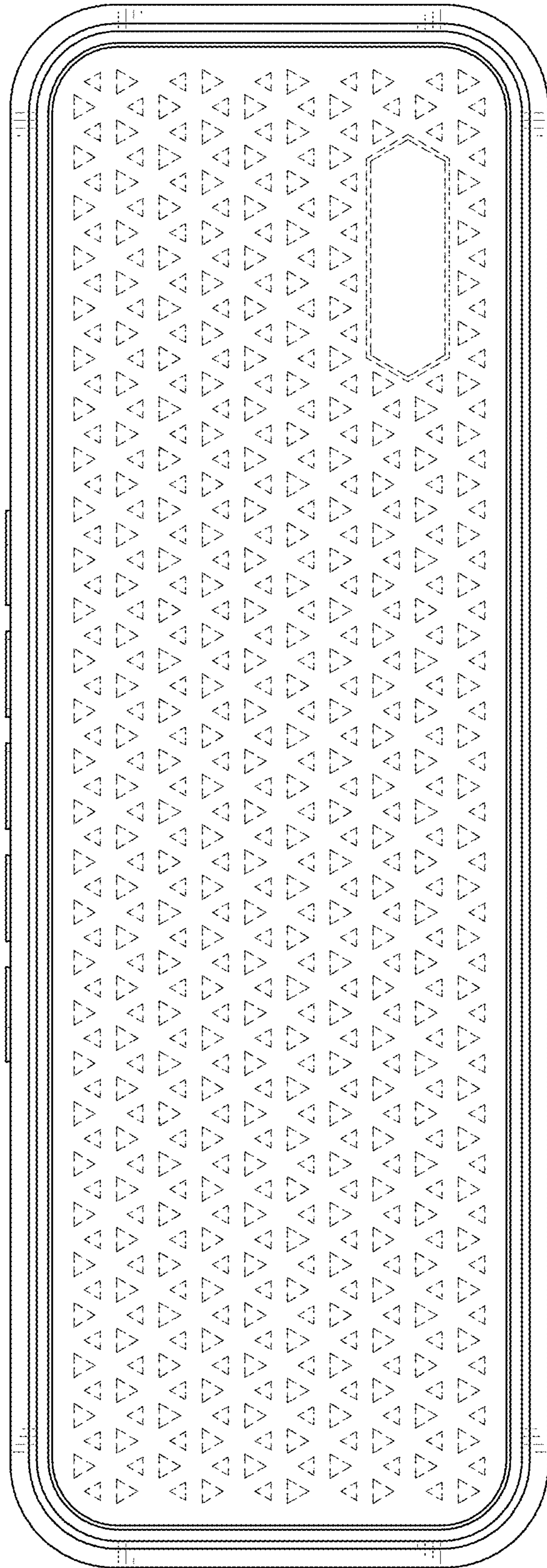


FIG. 3

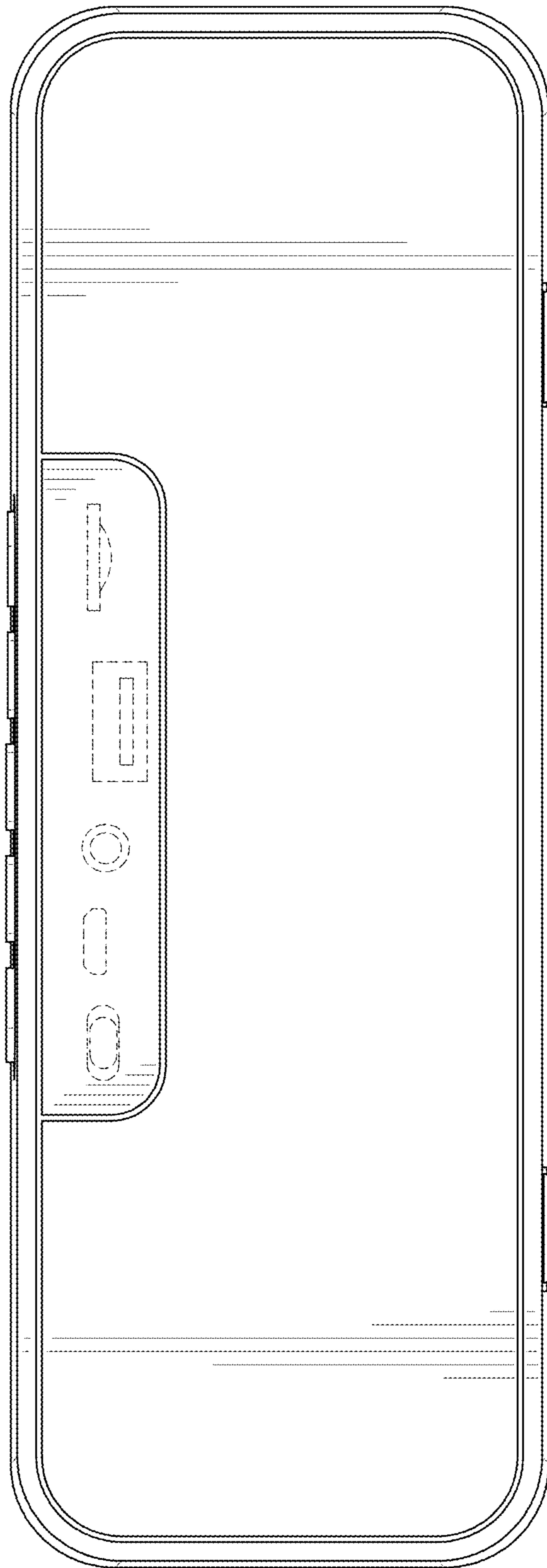


FIG. 4

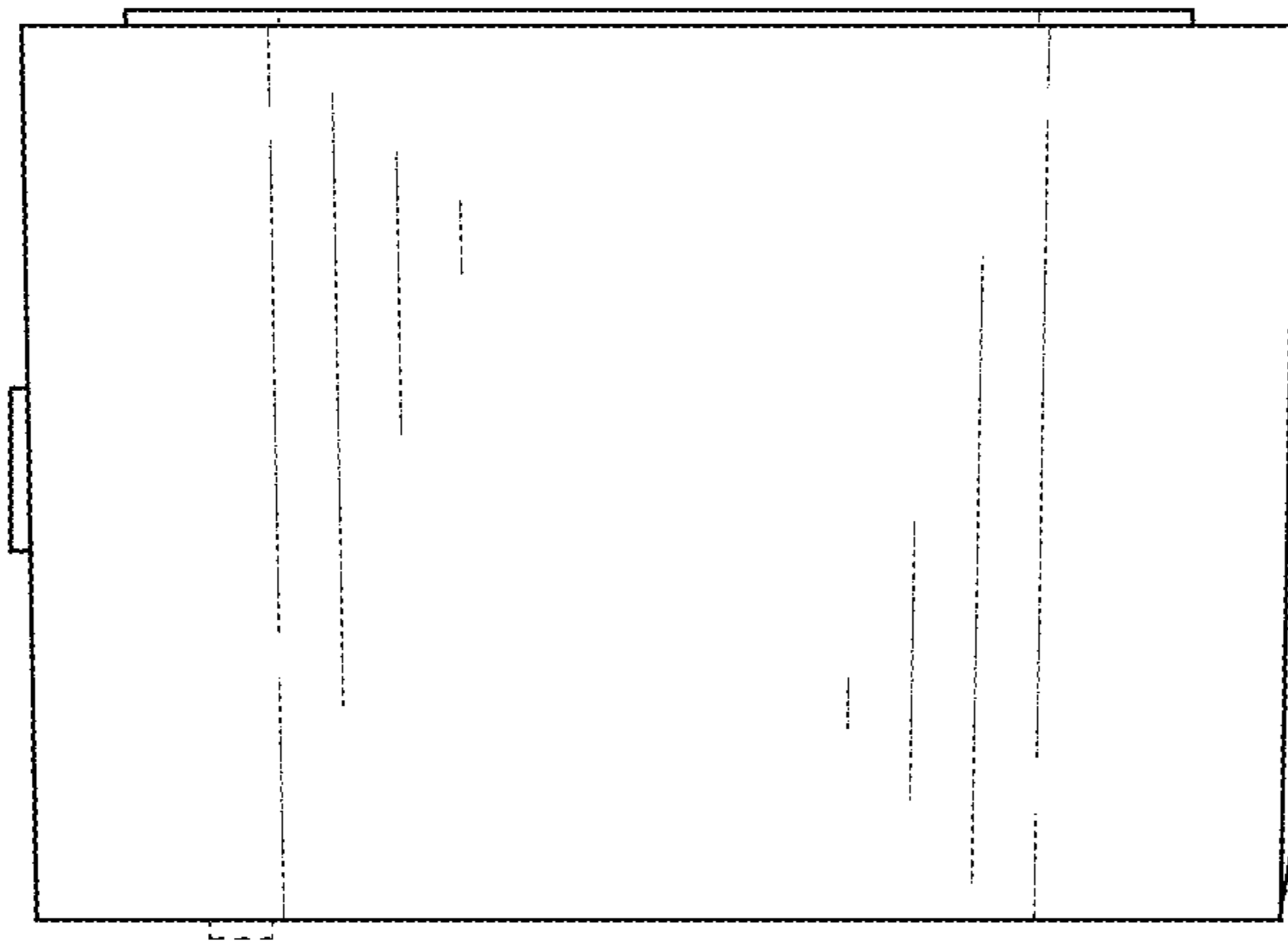


FIG. 5

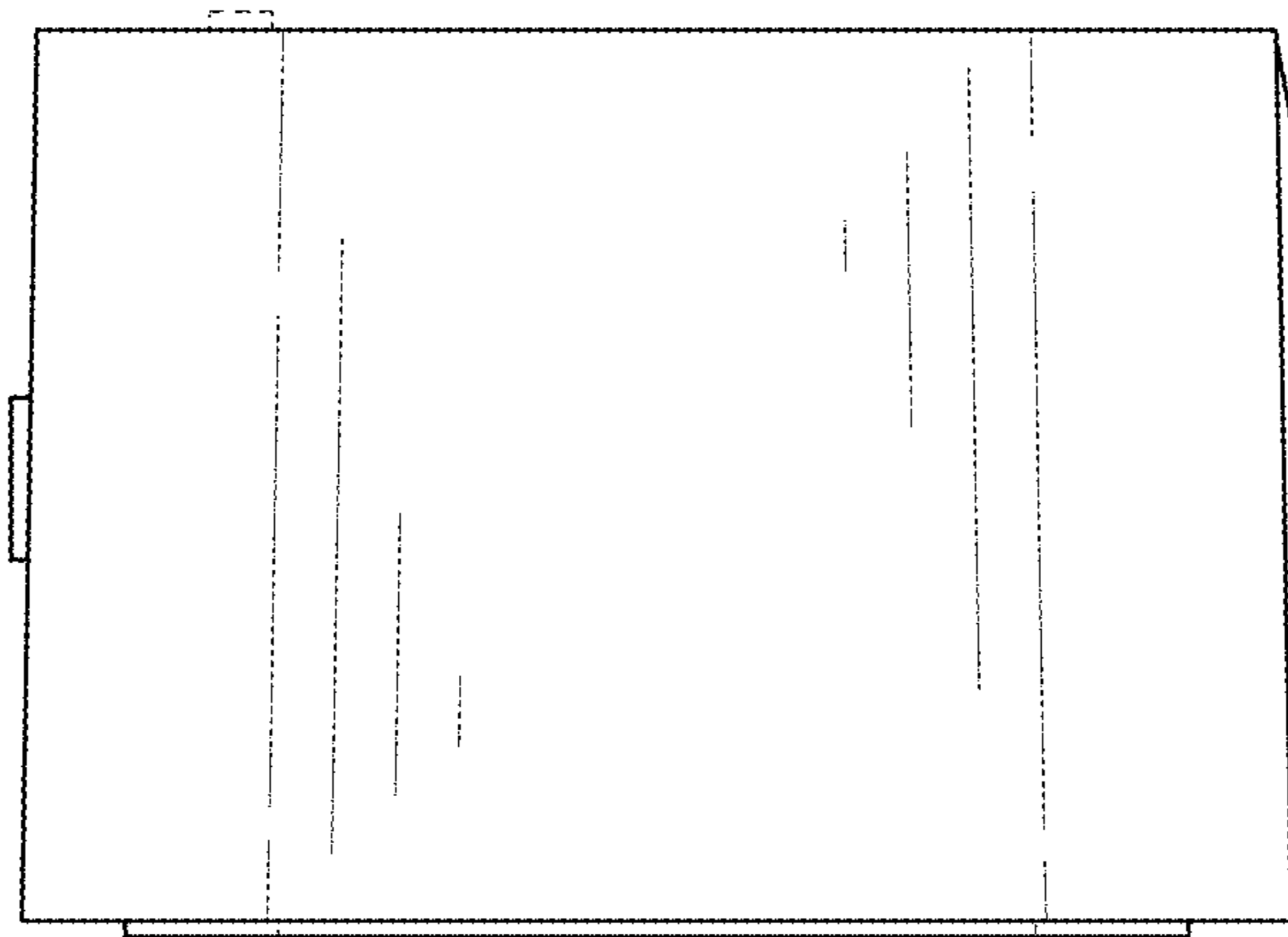


FIG. 6

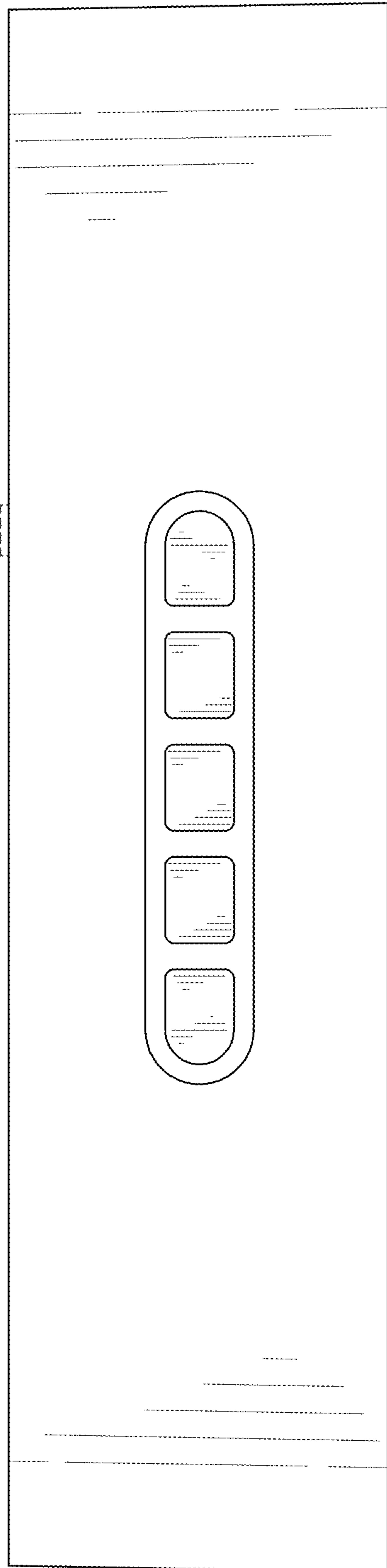


FIG. 7

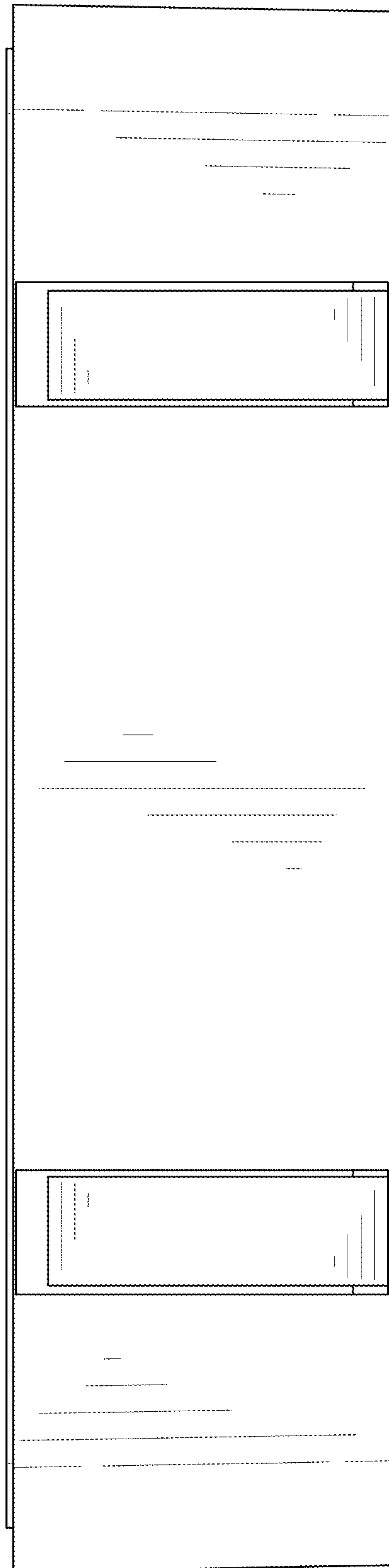


FIG. 8